

US00D947300S

(12) **United States Design Patent**
Flick

(10) **Patent No.:** **US D947,300 S**
(45) **Date of Patent:** **** Mar. 29, 2022**

(54) **HANDLEBAR OF A STATIONARY BIKE**

D684,223 S 6/2013 Cornejo et al.
D709,566 S 7/2014 Baudhuin
D807,443 S 1/2018 Hsieh

(71) Applicant: **NAUTILUS, INC.**, Vancouver, WA
(US)

(Continued)

(72) Inventor: **Edward L. Flick**, Brush Prairie, WA
(US)

FOREIGN PATENT DOCUMENTS

(73) Assignee: **NAUTILUS, INC.**, Vancouver, WA
(US)

CN 3060351 5/1996
CN 3063842 6/1996
CN 3475778 11/2004

(Continued)

(**) Term: **15 Years**

OTHER PUBLICATIONS

(21) Appl. No.: **29/737,328**

Charger city, announced 2010 [online], [site visited Aug. 30, 2021]. Available on internet, https://www.amazon.com/Universal-Stationary-Treadmill-Elliptical-Microphone/dp/B003AMM1HK/ref=sr_1_21?dchild=1&keywords=stationary+bike+handlebar+adapter&qid=1630079915&sr=8-21 (Year: 2010).*

(Continued)

(22) Filed: **Jun. 8, 2020**

(51) **LOC (13) Cl.** **21-02**

(52) **U.S. Cl.**
USPC **D21/694**

(58) **Field of Classification Search**
USPC D21/432, 682, 694, 696, 697, 663, 664,
D21/667; D8/303, 300, 315, 312, 321,
D8/306; D12/107, 111, 114, 117, 118
CPC B62K 21/12
See application file for complete search history.

Primary Examiner — Khawaja Anwar
Assistant Examiner — Julice Seung Eun Oum

(57) **CLAIM**

I claim the ornamental design for a handlebar of a stationary bike, as shown and described.

(56) **References Cited**

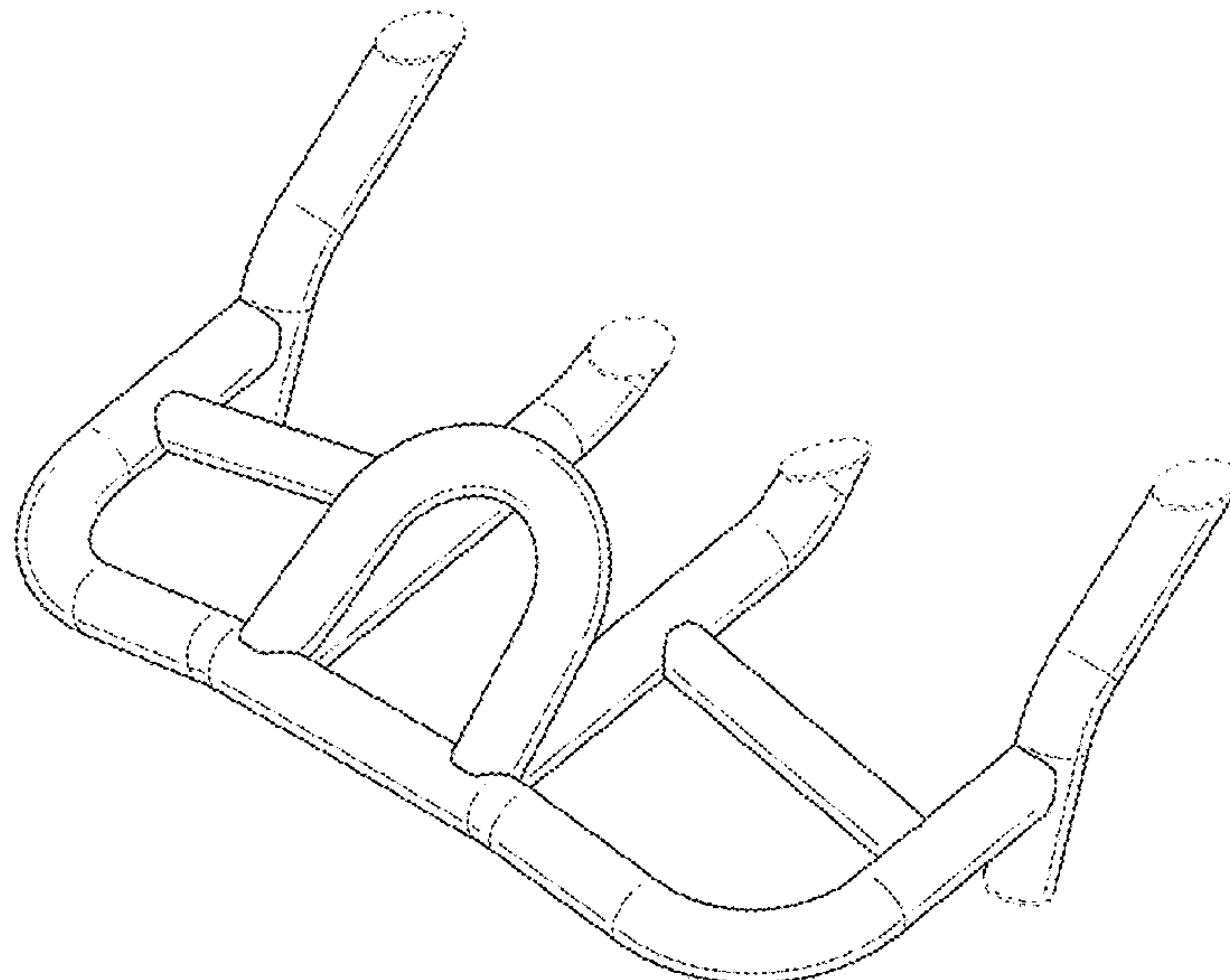
DESCRIPTION

U.S. PATENT DOCUMENTS

D382,925 S *	8/1997	Wu	D21/667
D398,673 S *	9/1998	Huang	D21/663
D401,644 S *	11/1998	Chen	D21/663
6,155,958 A *	12/2000	Goldberg	A63B 22/0605 482/57
D512,754 S *	12/2005	Nagano	D21/663
D519,171 S	4/2006	Kuo	
D526,031 S *	8/2006	Corbalis	D21/663
D532,063 S	11/2006	Kim et al.	
D571,417 S *	6/2008	Su	D21/667
D586,409 S *	2/2009	Keiser	D21/667
D662,559 S *	6/2012	Zhang	D21/694
D675,687 S	2/2013	Fischer	
D677,349 S	3/2013	Baudhuin et al.	

FIG. 1 shows an isometric view of a handlebar of a stationary bike in accordance with the present design.
FIG. 2 shows another isometric view thereof.
FIG. 3 shows a front view thereof.
FIG. 4 shows a rear view thereof.
FIG. 5 shows a right side view thereof.
FIG. 6 shows a left side view thereof.
FIG. 7 shows a top view thereof; and,
FIG. 8 shows a bottom view thereof.
The broken lines represent environment that forms no part of the claimed design.

1 Claim, 7 Drawing Sheets



(56)

References Cited

U.S. PATENT DOCUMENTS

D873,933 S 1/2020 Bennett et al.
 2010/0234185 A1* 9/2010 Watt A63B 21/0051
 482/8

FOREIGN PATENT DOCUMENTS

CN 300957064 7/2009
 CN 301321001 S 1/2010
 CN 301321002 S 1/2010
 CN 301403435 S 5/2010
 CN 301648088 S 3/2011
 CN 302064821 S 4/2012
 CN 302351825 S 9/2012
 CN 302351827 S 9/2012
 CN 302394121 S 10/2012
 CN 302394122 S 10/2012
 CN 302424392 S 10/2012
 CN 302710337 S 6/2013
 CN 302843038 S 1/2014
 CN 302843039 S 1/2014
 CN 303330827 S 12/2014
 CN 303330829 S 12/2014
 CN 303359457 S 2/2015
 CN 303404447 S 2/2015
 CN 303388383 S 4/2015
 CN 303409673 S 4/2015
 CN 303455477 S 5/2015
 CN 303613337 S 11/2015
 CN 303740466 S 12/2015
 CN 303777448 S 12/2015
 CN 303729879 S 1/2016
 CN 303900630 S 2/2016
 CN 304394893 S 4/2016
 CN 303935450 S 6/2016
 CN 303935452 S 6/2016
 CN 303951117 S 6/2016
 CN 304222563 S 9/2016
 CN 304333735 S 12/2016
 CN 304266219 S 1/2017
 CN 304222611 S 2/2017
 CN 304222643 S 3/2017
 CN 304322764 S 3/2017
 CN 304328384 S 5/2017
 CN 304542542 S 6/2017
 CN 304593890 S 10/2017
 CN 304723936 S 10/2017
 CN 304572925 S 11/2017
 CN 304718031 S 1/2018
 CN 304690367 S 2/2018

CN 304849549 S 4/2018
 CN 304849566 S 5/2018
 CN 304849567 S 5/2018
 CN 304968867 S 8/2018
 CN 305032560 S 8/2018
 CN 305023483 S 10/2018
 CN 305232315 S 12/2018
 CN 305256315 S 1/2019
 CN 305256319 S 1/2019
 CN 305256320 S 1/2019
 CN 305473750 S 4/2019
 CN 305303139 S 5/2019
 CN 305510953 S 5/2019
 CN 305631766 S 9/2019
 CN 305631767 S 9/2019
 CN 303330830 S 3/2020
 CN 305510955 S 3/2020
 EP 0004650000001 S 2/2006
 EP 0006608080001 S 2/2007
 EP 0008604990005 S 4/2008
 EP 0016550770001 S 1/2010
 EP 0017545650001 S 9/2010
 EP 0017951880001 S 12/2010
 EP 0017880430001 S 2/2011
 EP 0012634530001 S 3/2011
 EP 0020463420001 S 5/2012
 FR 19963526001 S1 11/1996
 TW D141544 S 7/2011
 TW D145668 S 3/2012
 TW D146061 A 3/2012
 TW D156941 S 11/2013
 TW D156942 S 11/2013
 TW D177024 S 7/2016
 TW D181796 S 3/2017
 TW D187058 S 12/2017
 TW D195650 S 1/2019
 TW D203307 S 3/2020

OTHER PUBLICATIONS

Sunnyhealthfitness, announced 2019[online], [site visited Aug. 30, 2021]. Available on internet, <https://sunnyhealthfitness.com/products/sunny-health-and-fitness-sf-b1516-48lb-flywheel-chain-drive-commercial-indoor-cycling-exercise-bike#Reviews-1704515141722> (Year: 2019).*

Design U.S. Appl. No. 29/737,338 titled "Handlebar of a Stationary Bike" filed Jun. 8, 2020.

Design U.S. Appl. No. 29/737,344 titled "Handlebar of a Stationary Bike" filed Jun. 8, 2020.

* cited by examiner

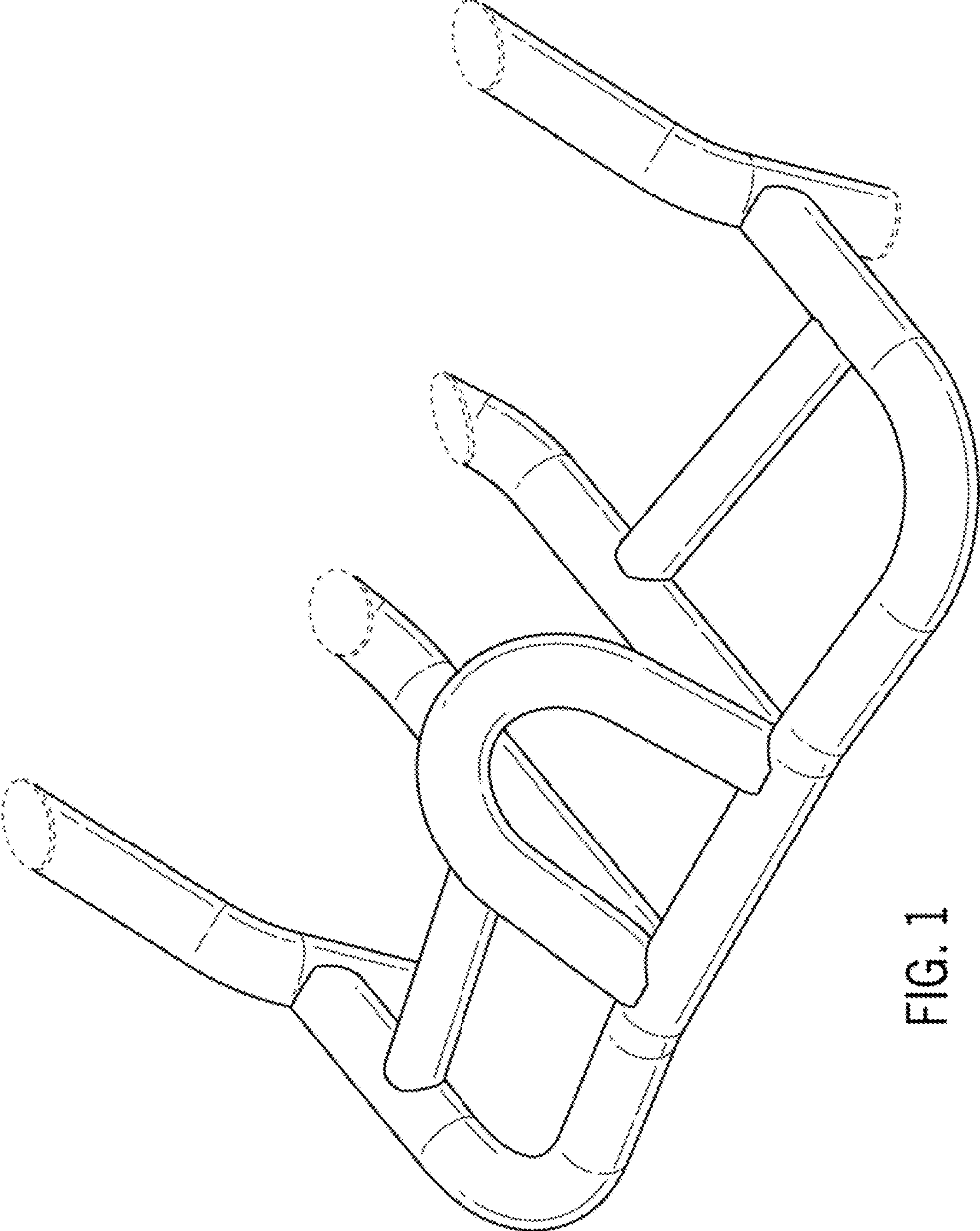


FIG. 1

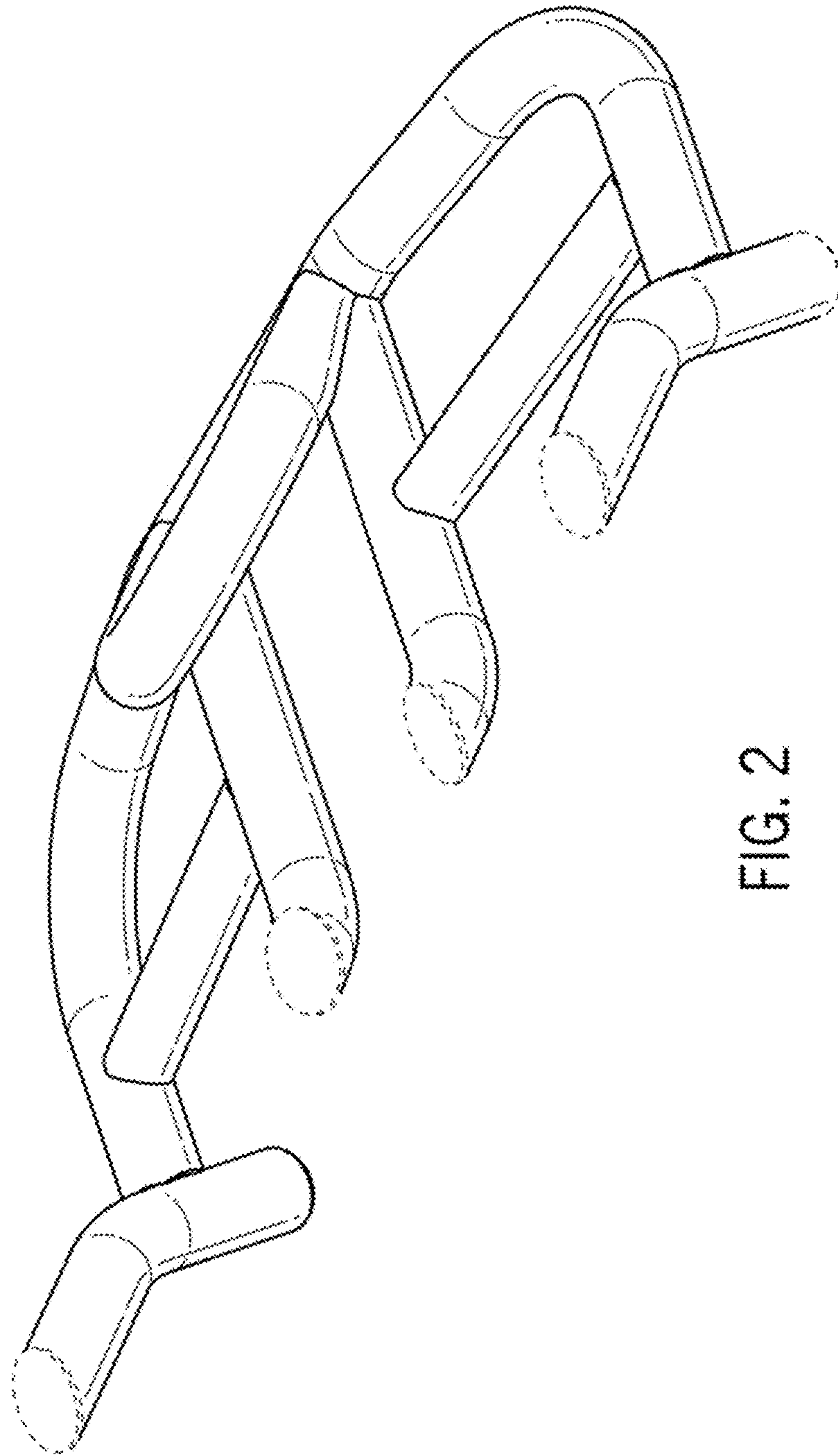


FIG. 2

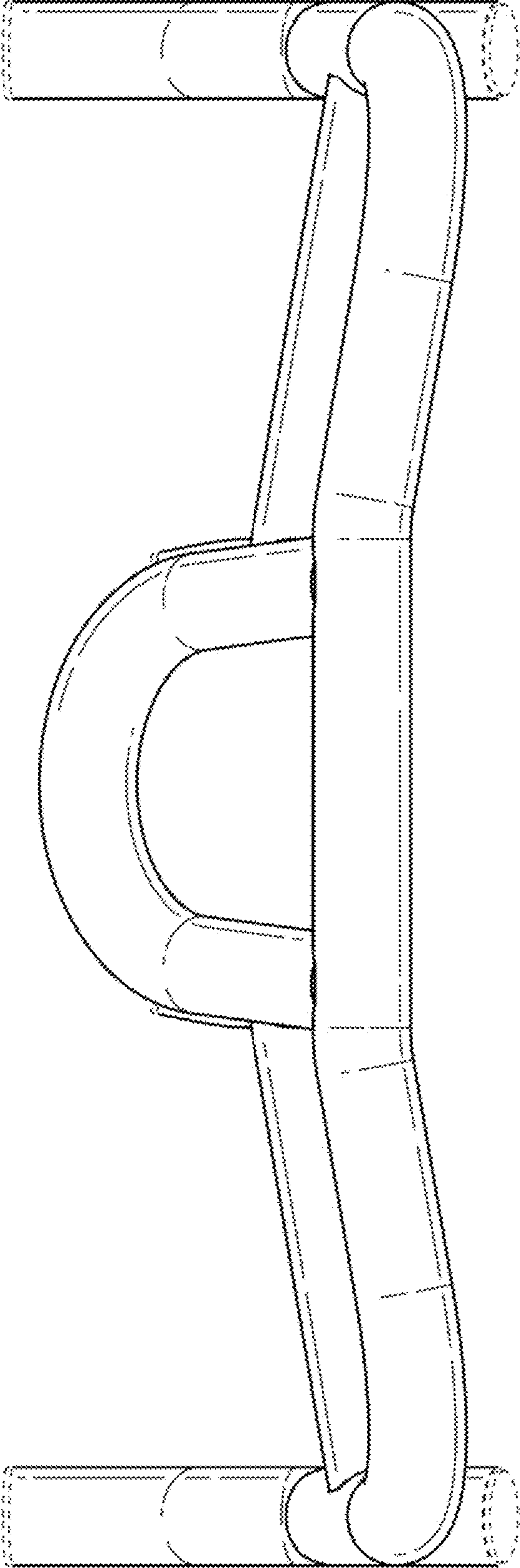


FIG. 3

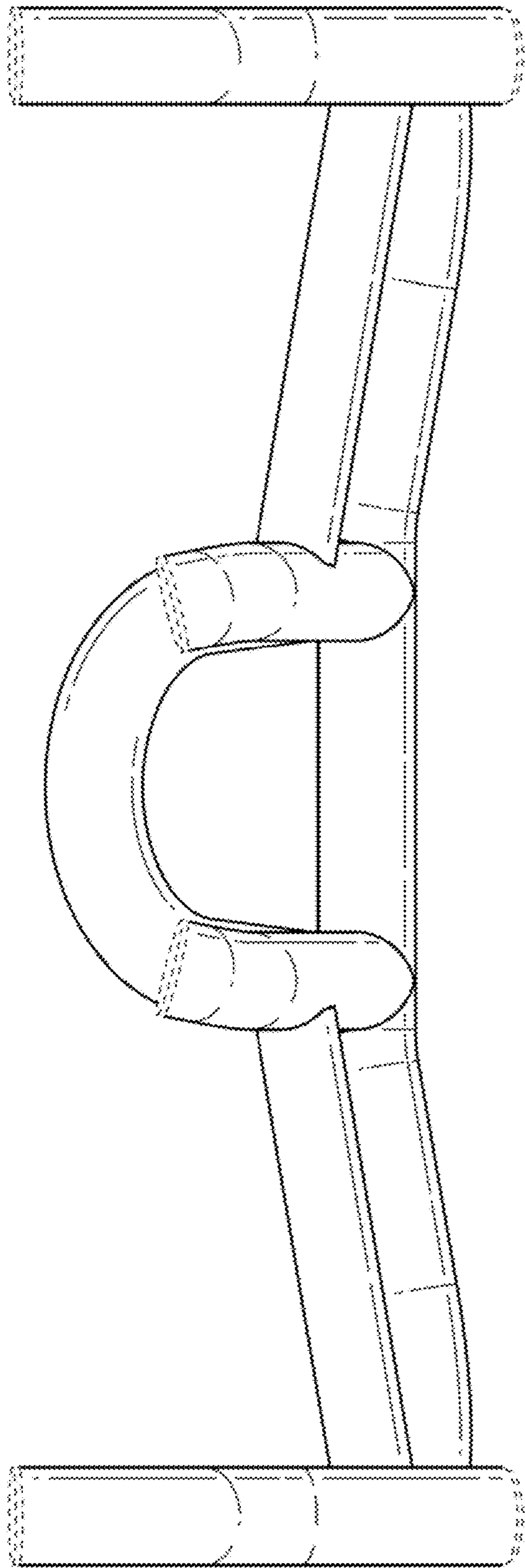


FIG. 4

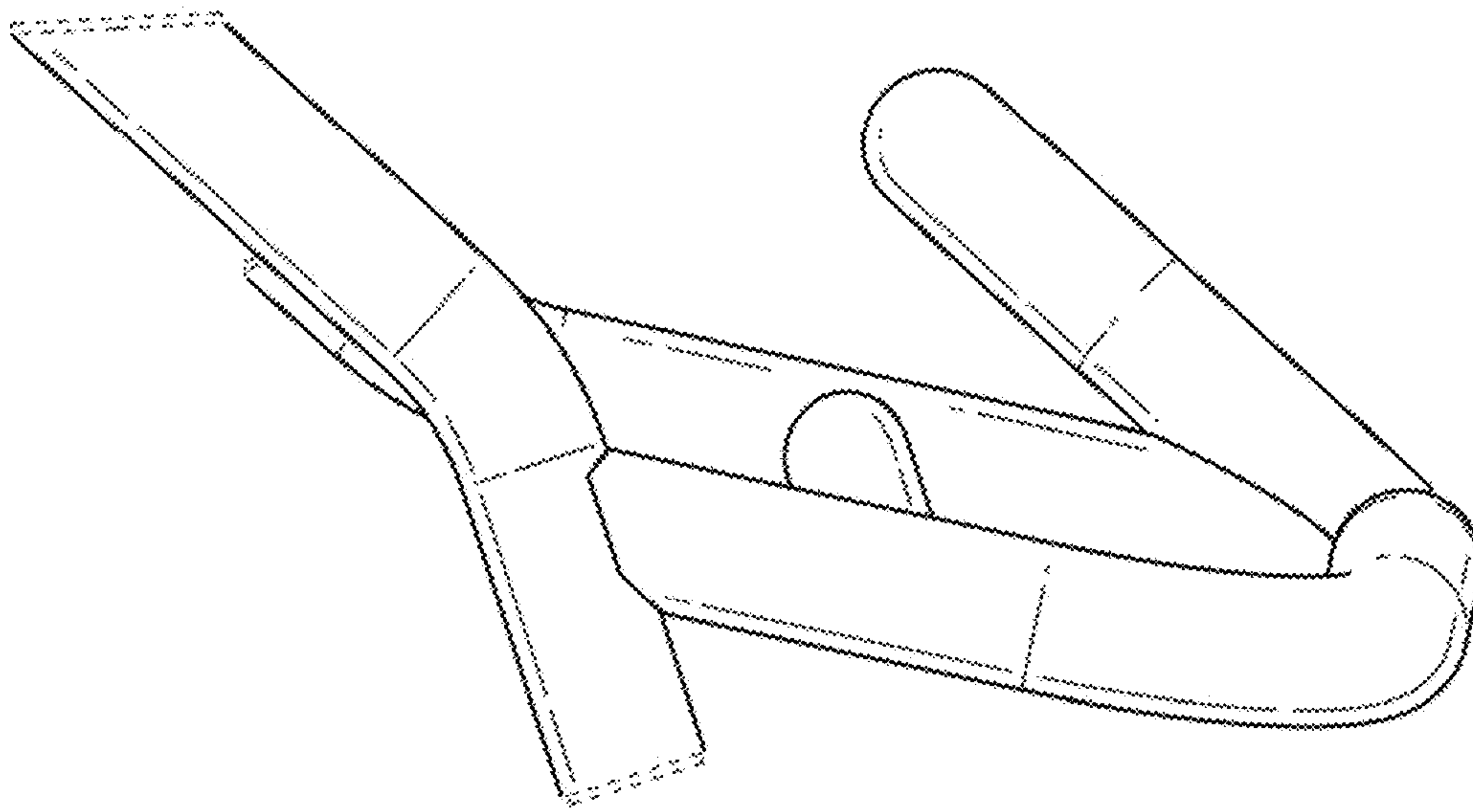


FIG. 5

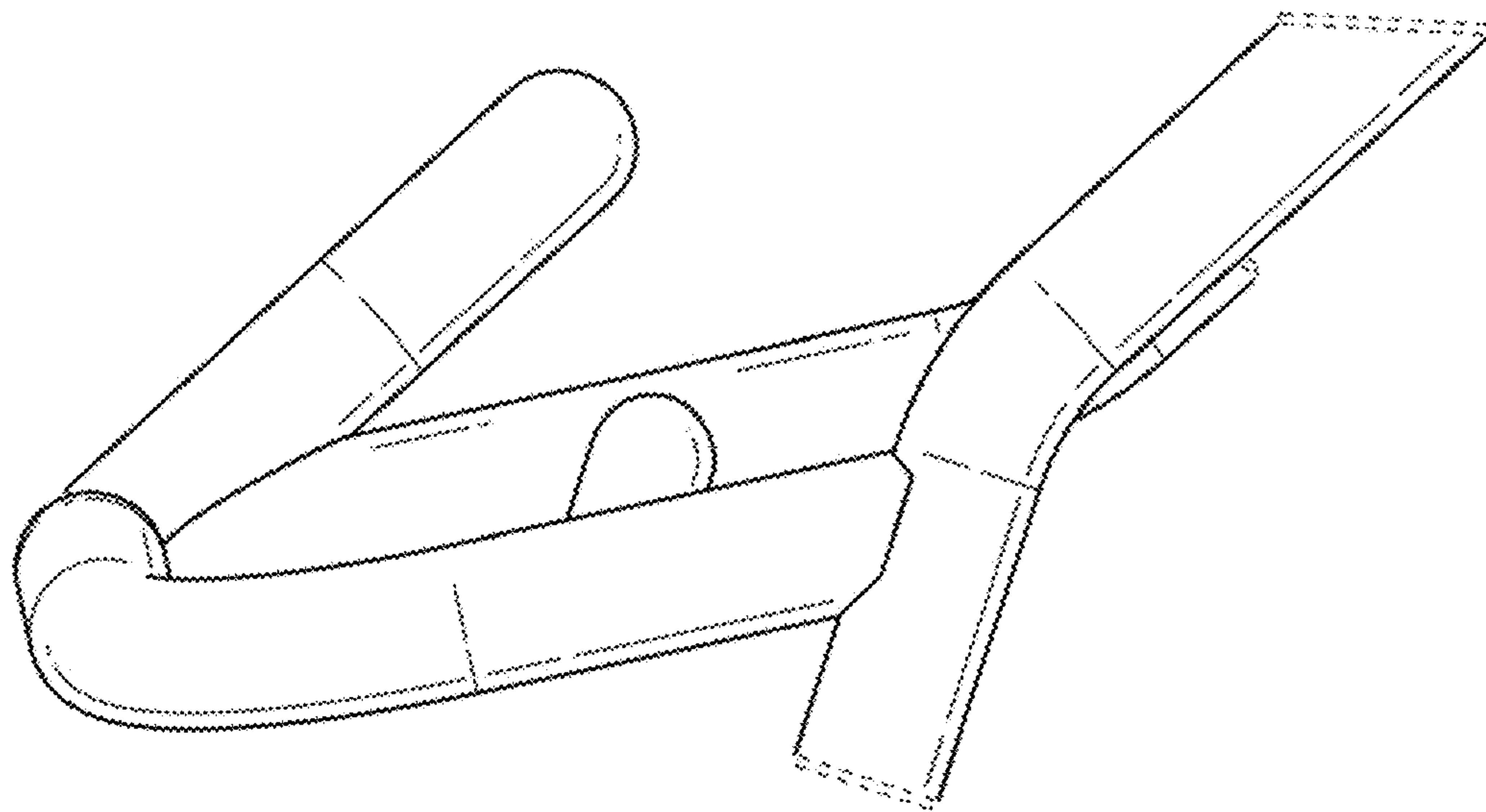


FIG. 6

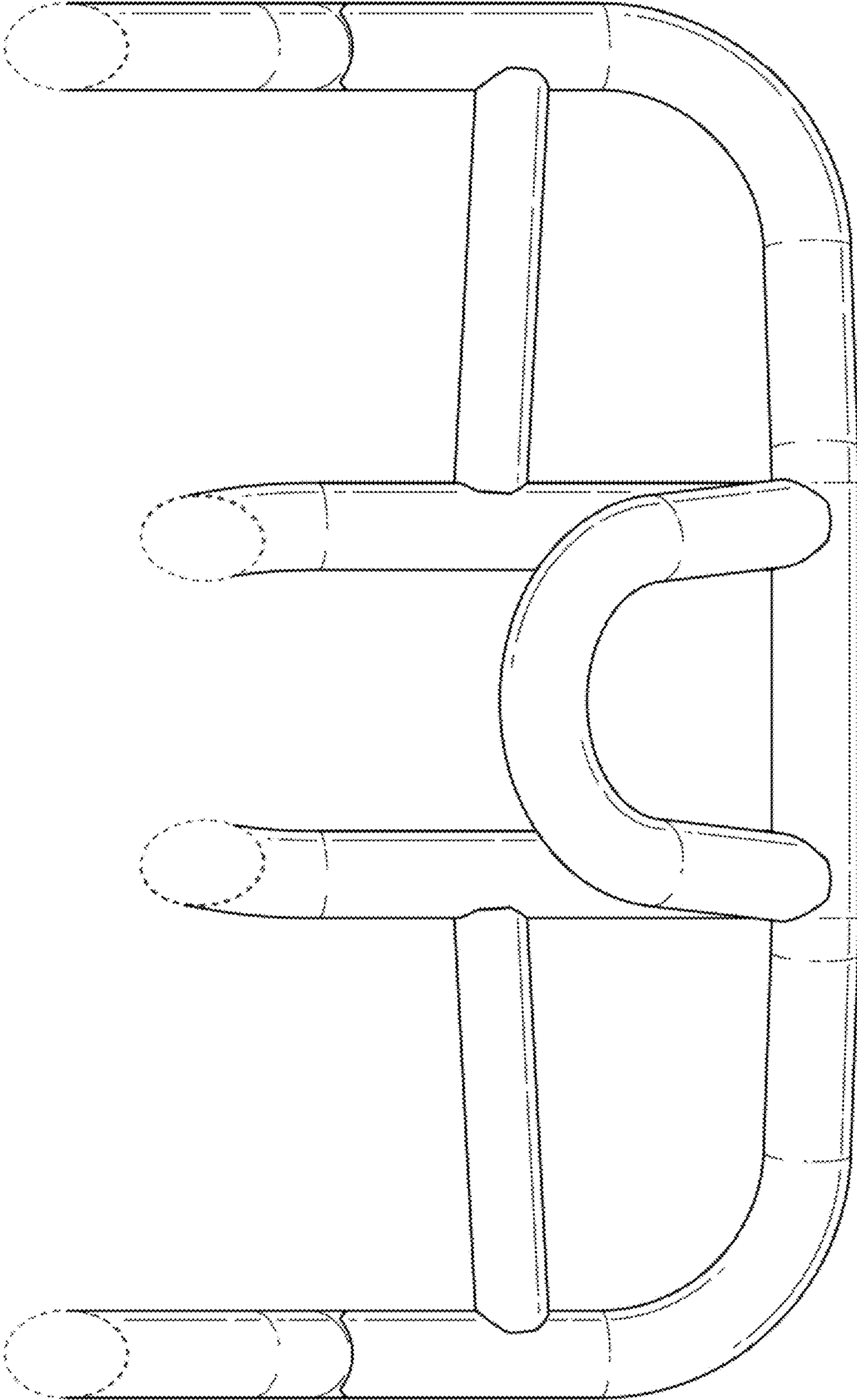


FIG. 7

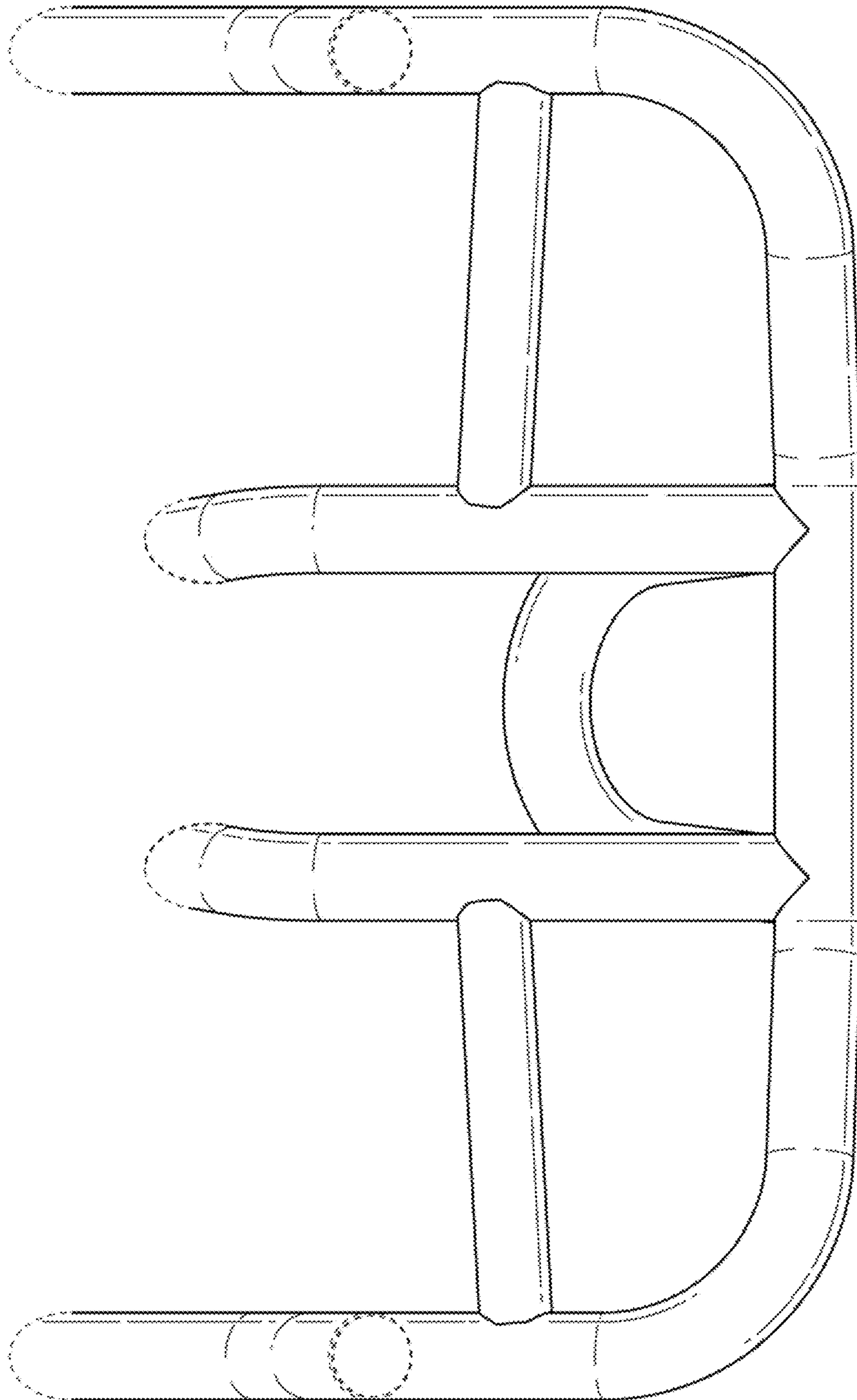


FIG. 8