



US00D947298S

(12) **United States Design Patent** (10) **Patent No.:** **US D947,298 S**
Ren (45) **Date of Patent:** **** Mar. 29, 2022**

(54) **TREADMILL**

(71) Applicant: **XIAMEN RENHE SPORTS EQUIPMENT CO., LTD.**, Xiamen (CN)

(72) Inventor: **Yang-Jie Ren**, Xiamen (CN)

(**) Term: **15 Years**

(21) Appl. No.: **29/775,501**

(22) Filed: **Mar. 24, 2021**

Related U.S. Application Data

(62) Division of application No. 29/699,098, filed on Jul. 23, 2019, now Pat. No. Des. 919,719.

Foreign Application Priority Data

Jan. 23, 2019 (CN) 201930036123.4

(51) **LOC (13) Cl.** **21-02**

(52) **U.S. Cl.**
USPC **D21/669**

(58) **Field of Classification Search**
USPC 482/54, 2, 51, 8, 70, 146; D21/668, 669; 198/439, 456; D30/160; 601/35, 23, 5, 601/34
CPC . A63B 22/02; A63B 22/0023; A63B 22/0235; A63B 2210/50; A63B 22/0285; A63B 22/0242; A63B 2022/025; A63B 2225/30; A63B 2022/0214; A63B 2220/13; A63B 2022/0228; A63B 2210/56; A63B 2024/0093; A63B 2022/0207; A63B 22/0012; A63B 22/0257; A61H 3/008; A61H 1/0262; A61H 2201/164; A01K 15/027

See application file for complete search history.

(56) **References Cited**

U.S. PATENT DOCUMENTS

3,637,206 A * 1/1972 Chickering, III A63B 22/02 482/54
3,642,279 A * 2/1972 Cutter A63B 22/02 482/54
D232,446 S * 8/1974 Townsend D21/669
5,688,209 A * 11/1997 Trulaske A63B 21/154 482/54
D464,690 S * 10/2002 San-Ching D21/669
D484,554 S * 12/2003 Hellman, Jr. D21/669
8,740,756 B2 * 6/2014 Shabodyash A63B 22/02 482/54

(Continued)

Primary Examiner — Ryan Harvey

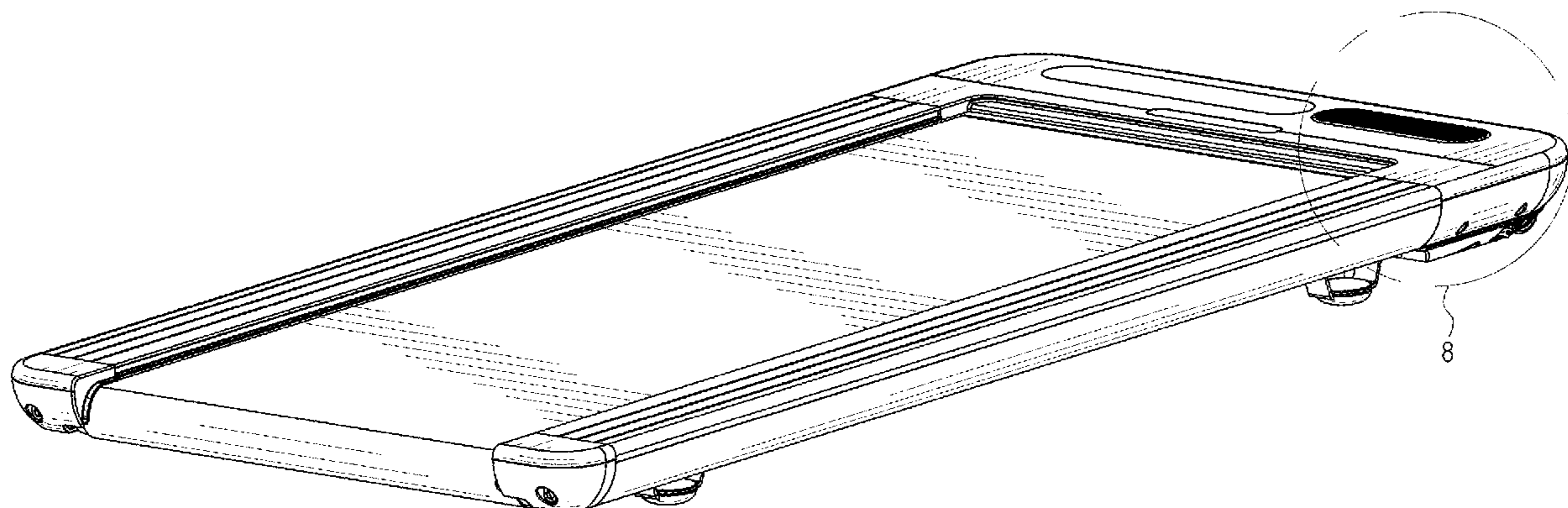
(57) **CLAIM**

The ornamental design for a treadmill, as shown and described.

DESCRIPTION

FIG. 1 is a perspective view of a treadmill showing my new design;
FIG. 2 is a front view thereof;
FIG. 3 is a back view thereof;
FIG. 4 is a left side view thereof;
FIG. 5 is a right side view thereof;
FIG. 6 is a top view thereof;
FIG. 7 is a bottom view thereof;
FIG. 8 is an enlarged view of the selected portion in FIG. 1;
FIG. 9 is an enlarged view of the selected portion in FIG. 3;
FIG. 10 is an enlarged view of the selected portion in FIG. 4;
FIG. 11 is an enlarged view of the selected portion in FIG. 5;
FIG. 12 is an enlarged view of FIG. 6;
FIG. 13 is an enlarged view of FIG. 7; and,
FIG. 14 is an enlarged view of the selected portion in FIG. 12.

1 Claim, 11 Drawing Sheets



(56)

References Cited

U.S. PATENT DOCUMENTS

D797,216 S * 9/2017 Jacobs D21/669
10,252,109 B2 * 4/2019 Watterson A61H 1/005
D888,845 S * 6/2020 Luo D21/669
D889,569 S * 7/2020 Luo D21/669
D908,817 S * 1/2021 Wang D21/669
D910,123 S * 2/2021 Li D21/669
D919,719 S * 5/2021 Ren D21/669
D926,895 S * 8/2021 Zhu D21/669
D928,252 S * 8/2021 Zhu D21/669
D929,511 S * 8/2021 Chen D21/669
D934,353 S * 10/2021 Hu D21/669
2003/0130095 A1 * 7/2003 Hellman, Jr. A63B 22/0285
482/54
2011/0201481 A1 * 8/2011 Lo A63B 22/0235
482/54
2012/0088633 A1 * 4/2012 Crafton A63B 23/0464
482/1
2013/0017929 A1 * 1/2013 Hendrickson F16H 25/2056
482/54
2017/0266534 A1 * 9/2017 Watterson A63B 22/0023
2018/0178055 A1 * 6/2018 Netter A63B 22/0023
2019/0192952 A1 * 6/2019 Powell A63B 22/0023
2019/0217182 A1 * 7/2019 Kueker A63B 24/0087
2019/0290956 A1 * 9/2019 Ren A63B 22/0235
2020/0094105 A1 * 3/2020 Kueker A63B 22/0221
2020/0179748 A1 * 6/2020 Netter A63B 24/0087
2021/0275860 A1 * 9/2021 Tseng A63B 71/0619

* cited by examiner

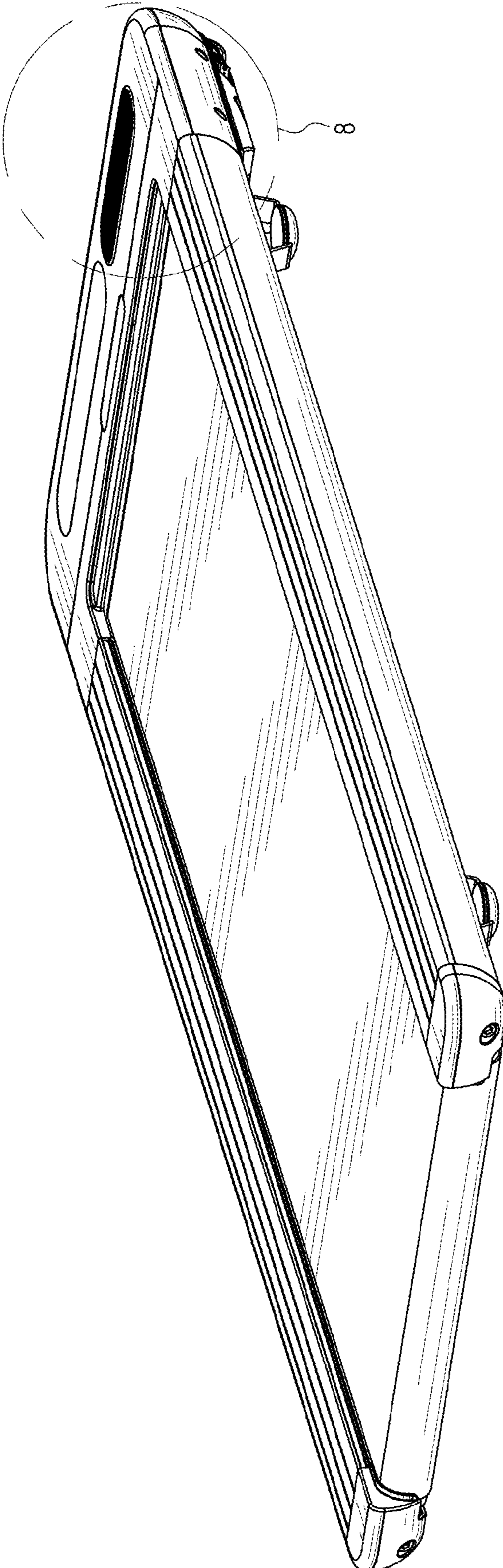


FIG. 1

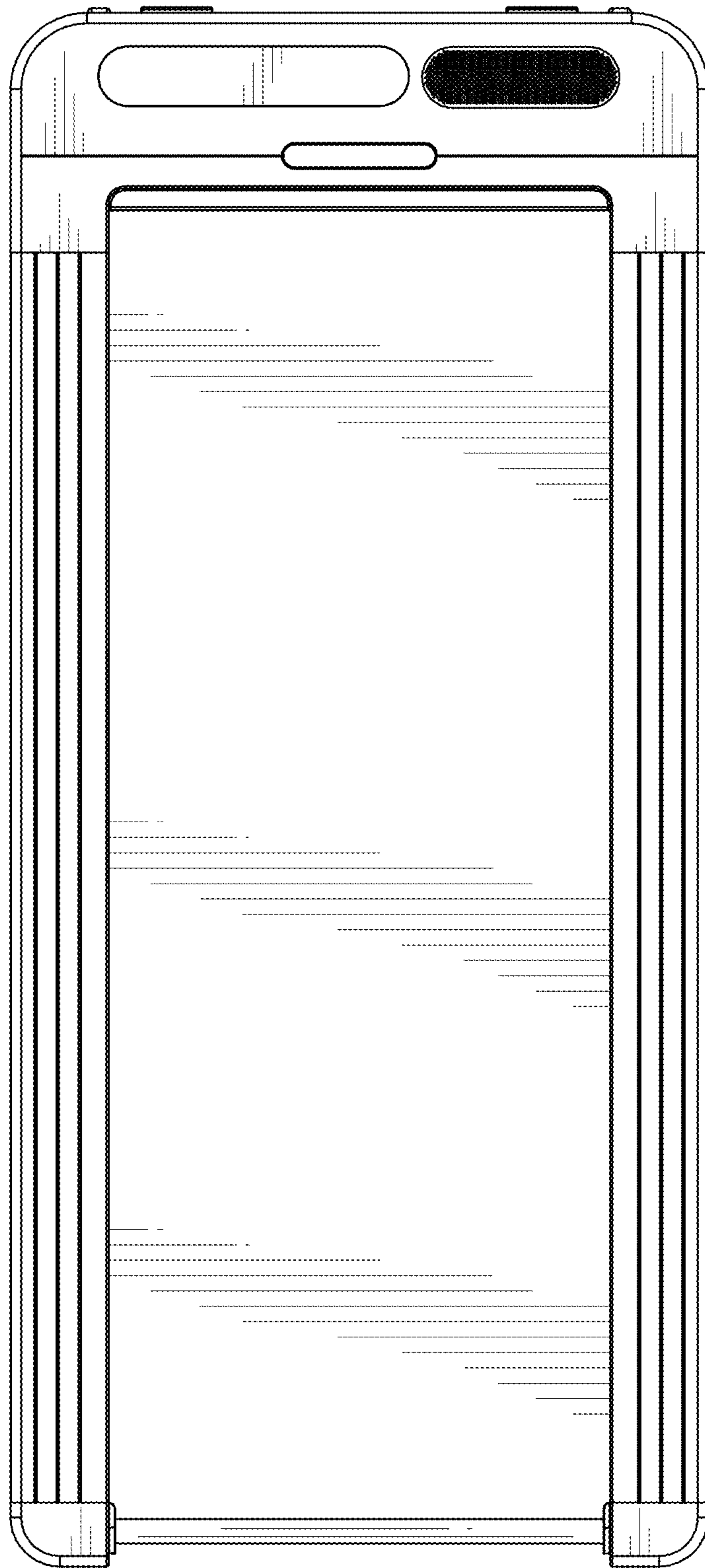


FIG. 2

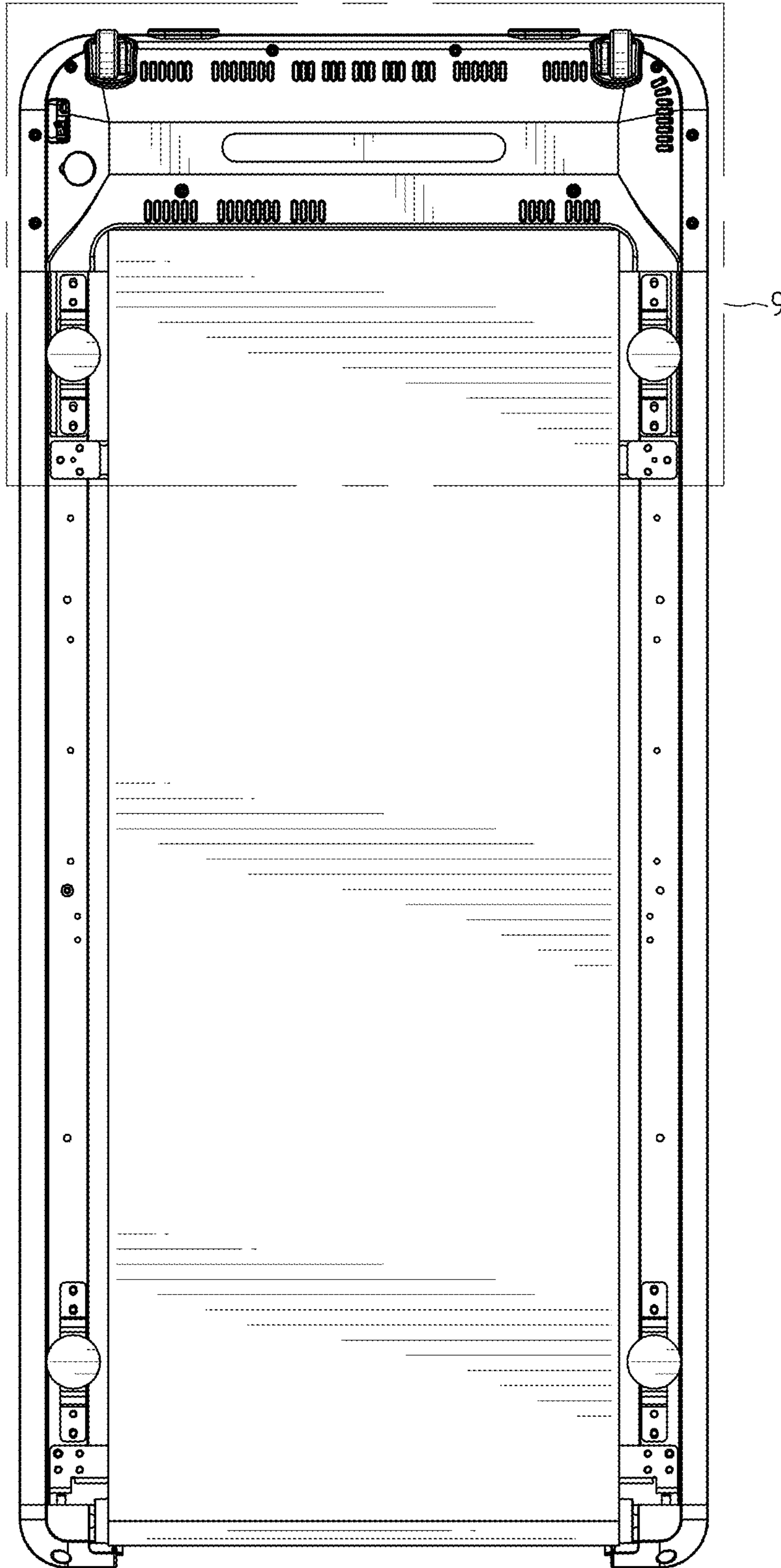


FIG. 3

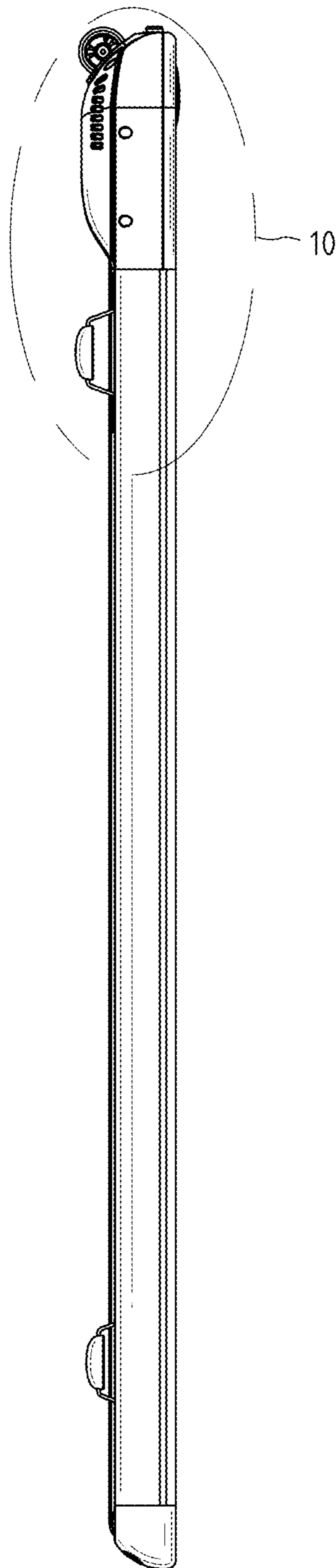


FIG. 4

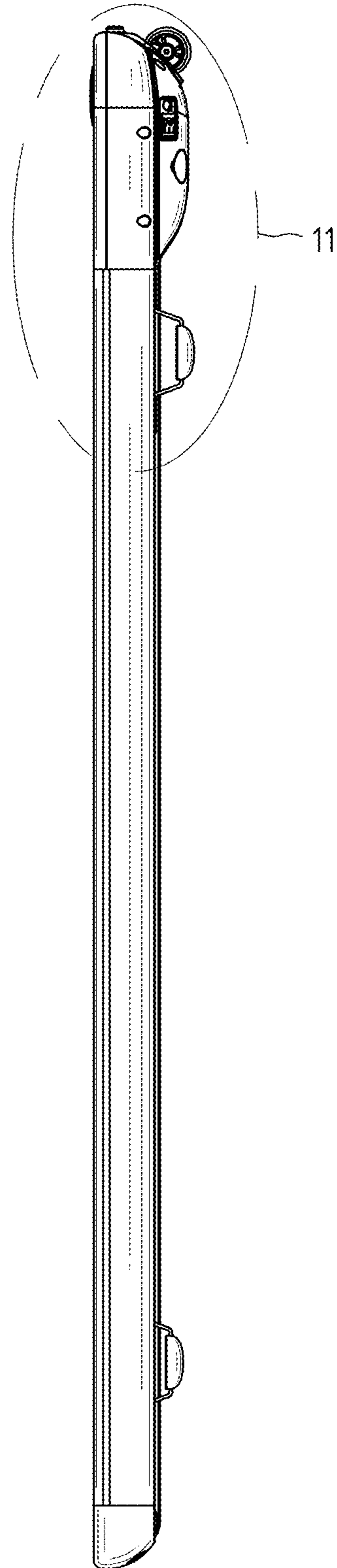


FIG. 5

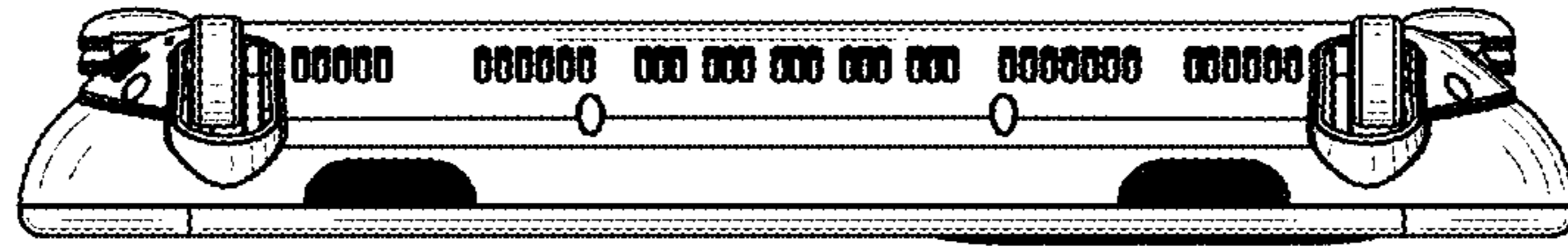


FIG. 6

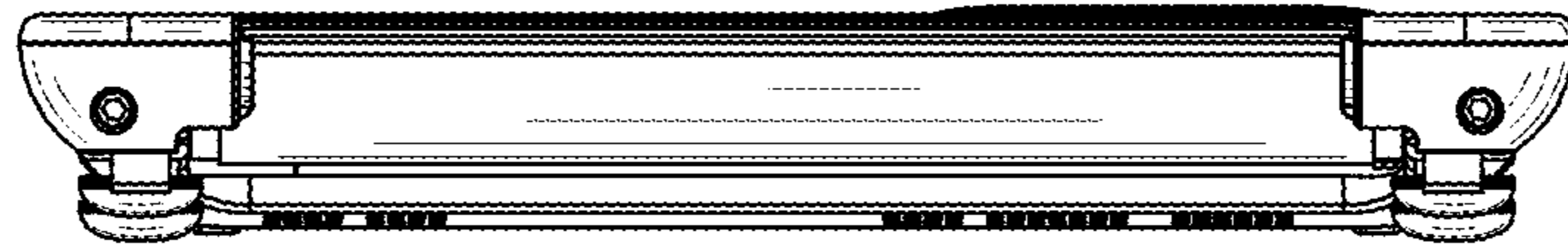


FIG. 7

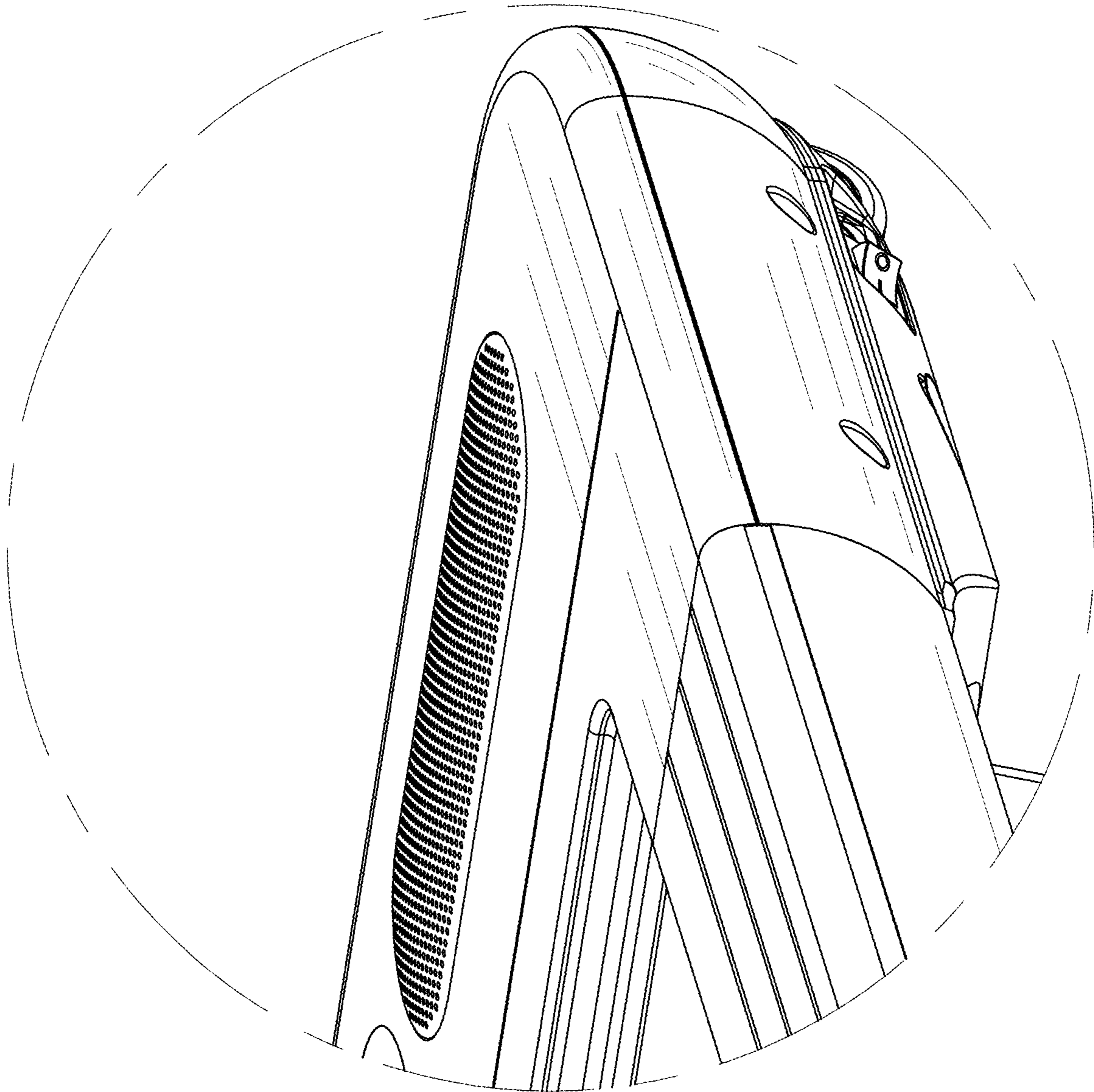


FIG. 8

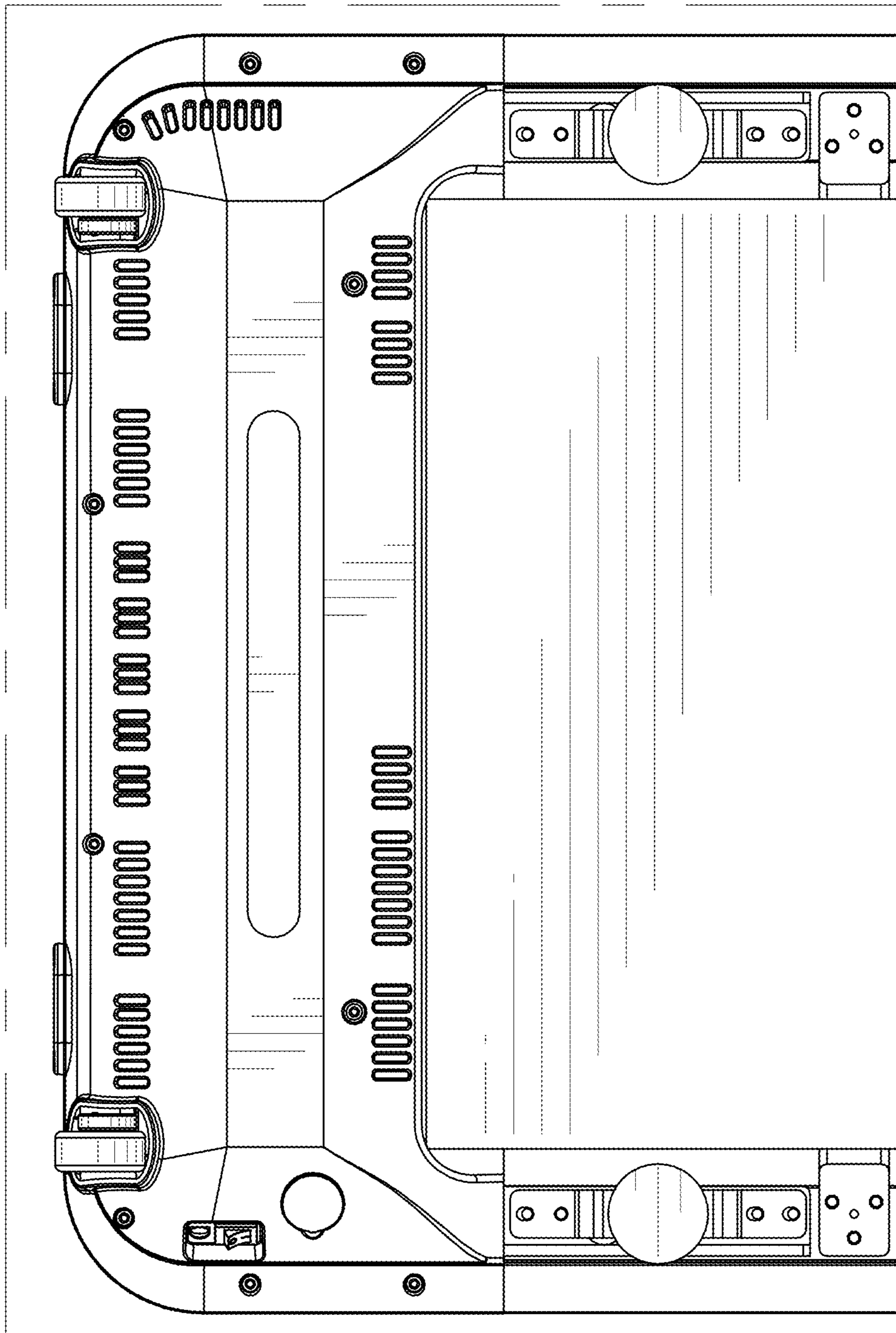


FIG. 9

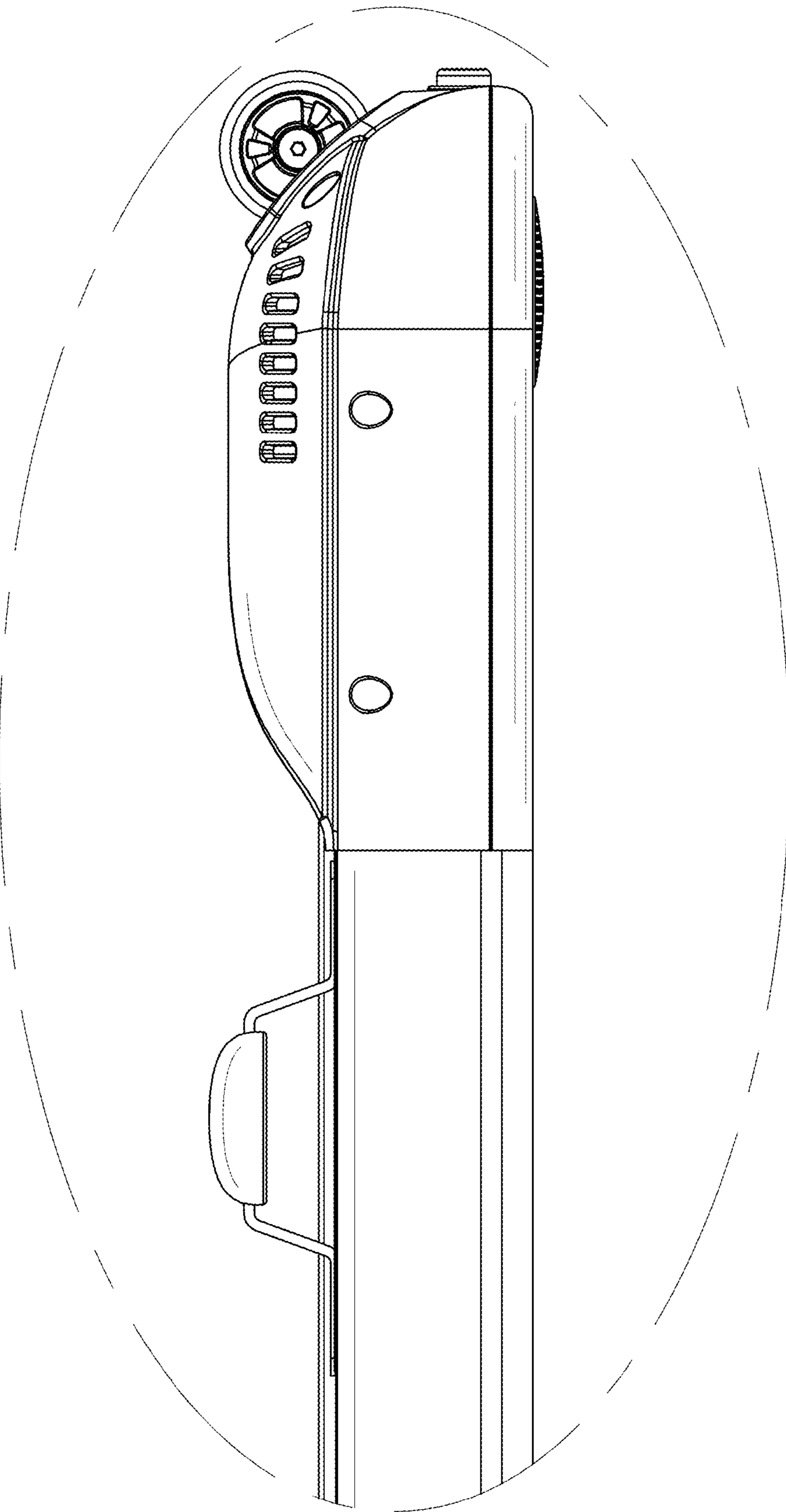


FIG. 10

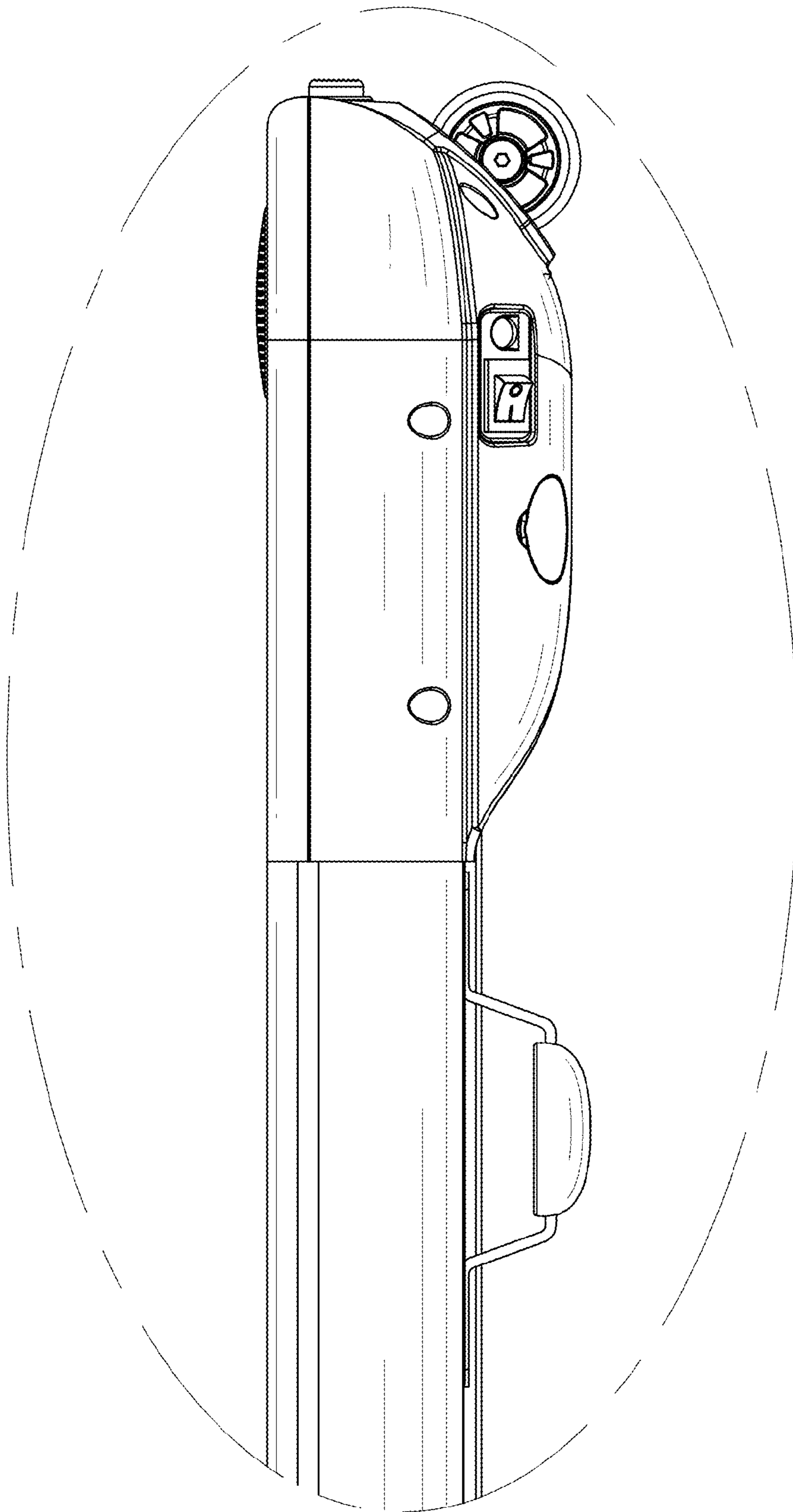


FIG. 11

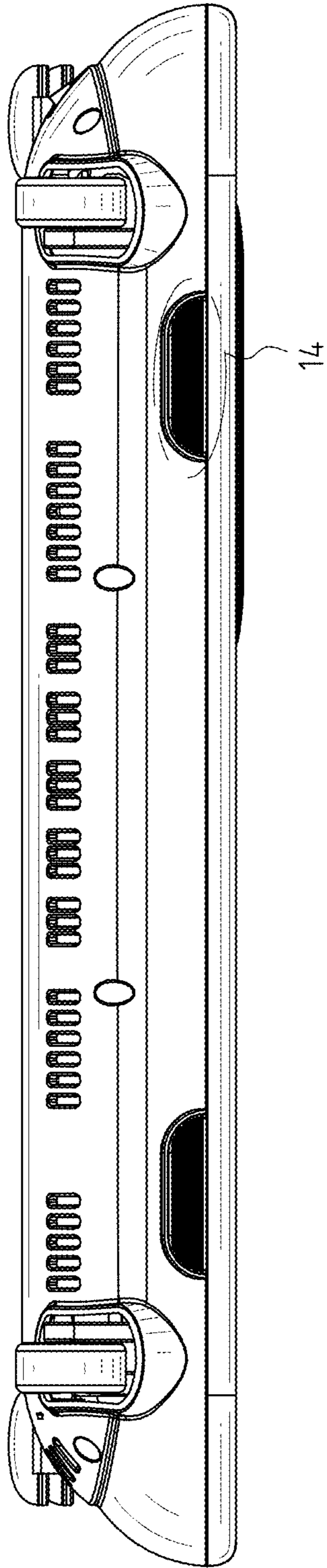
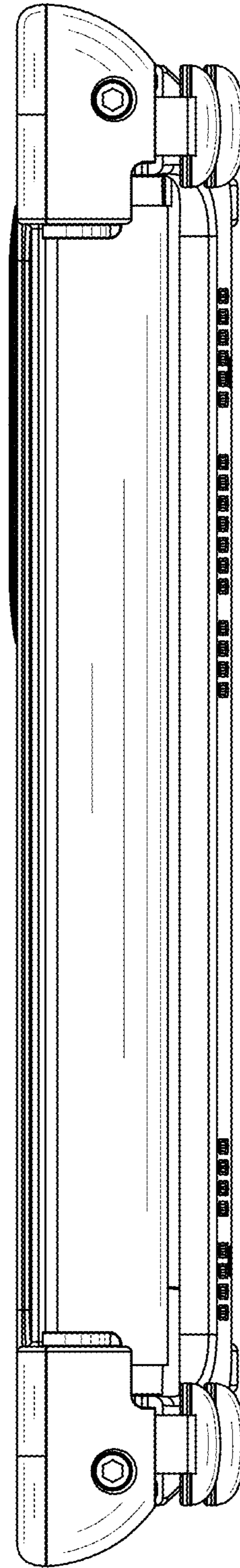


FIG. 12



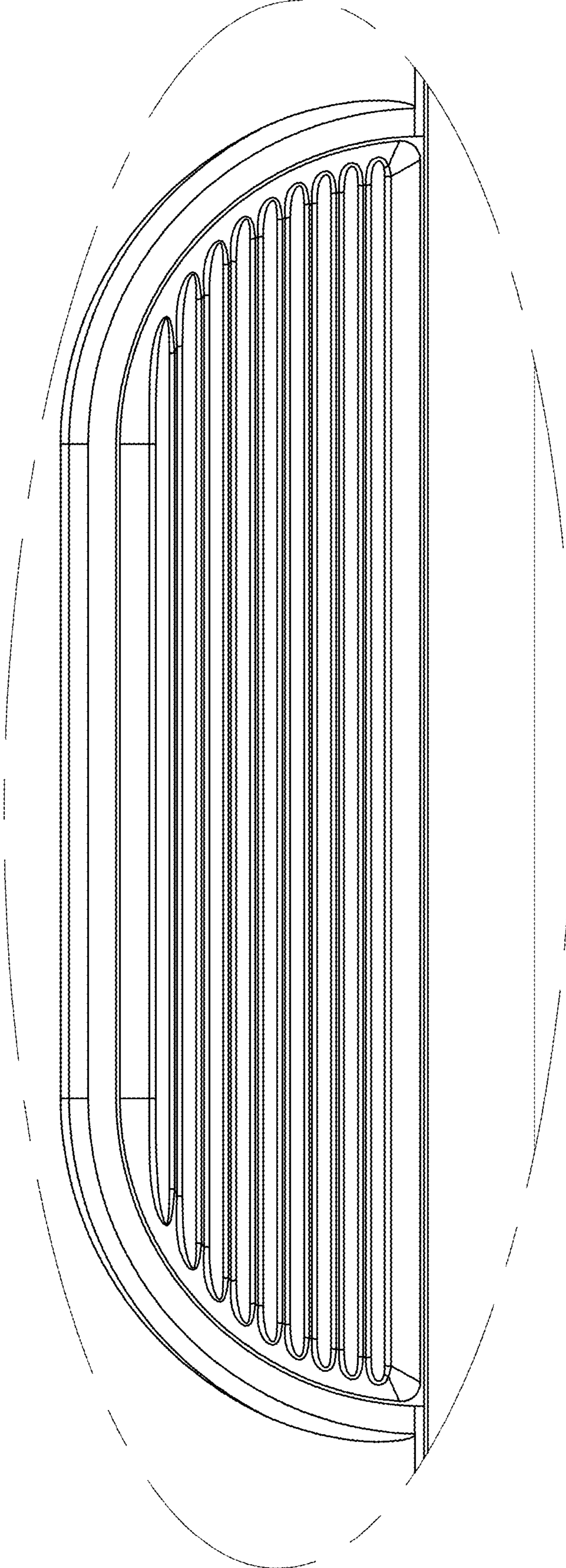


FIG. 14