



US00D947297S

(12) **United States Design Patent**
Flick

(10) **Patent No.:** **US D947,297 S**
(45) **Date of Patent:** **** Mar. 29, 2022**

(54) **FLYWHEEL OF A STATIONARY EXERCISE MACHINE**

(71) Applicant: **NAUTILUS, INC.**, Vancouver, WA (US)

(72) Inventor: **Edward L. Flick**, Brush Prairie, WA (US)

(73) Assignee: **NAUTILUS, INC.**, Vancouver, WA (US)

(**) Term: **15 Years**

(21) Appl. No.: **29/737,332**

(22) Filed: **Jun. 8, 2020**

(51) **LOC (13) Cl.** **21-02**

(52) **U.S. Cl.**
USPC **D21/667**

(58) **Field of Classification Search**
USPC D21/432, 682, 694, 696, 697, 663, 664,
D21/667; D8/303, 300, 315, 312, 321,
D8/306; D12/107, 111, 114, 117, 118
CPC B62K 21/12
See application file for complete search history.

(56) **References Cited**

U.S. PATENT DOCUMENTS

D255,263	S *	6/1980	Mandon	D23/369
5,150,774	A *	9/1992	Adamson	F16D 65/124
					188/218 XL
5,156,066	A *	10/1992	Janiszewski	F16F 15/134
					192/208
D352,020	S *	11/1994	Powers	D12/180
5,907,979	A *	6/1999	Kuske	F16F 15/30
					74/572.21
D456,326	S *	4/2002	York	D12/180
D555,742	S *	11/2007	Lai	D21/694
D786,652	S *	5/2017	Lira-Nunez	D8/321
D857,131	S *	8/2019	Marton	D21/694
2003/0061898	A1 *	4/2003	Brackett	H02K 7/025
					74/572.11

2015/0204418	A1 *	7/2015	Dugas	F16F 15/31
					74/573.11
2016/0195163	A1 *	7/2016	Cavanaugh	B23P 6/00
					123/197.5
2019/0312482	A1 *	10/2019	Costantino	H02K 7/025

OTHER PUBLICATIONS

Sachs store, announced 2011 [online], [site visited Aug. 30, 2021]. Available on internet, URL:https://www.amazon.com/Sachs-NFW6938-Clutch-Flywheel/dp/B004BTD0FS/ref=sr_1_3_sspa?dchild=1&keywords=flywheel&qid=1630079569&sr=8-3-spons&psc=1&spLa=ZW5jcnlwdGVkUXVhbGlmaWVyPUEySEtDWIITUIhYWZPZmVuY3J5cHRIZEikPUEwMTk1MTc3Mjg0QTM4QTRSWEFBUSZlbnNyeXB0ZWZWRBZEikPUEwNzE2NDY3N0pYU05FTIR0Q1o1JndpZGdldE5hbWU9c3BfYXRmJmFjdGlvbj1jbGlja1JIZGIyZWVhZmRvTm90TG9nQ2xpY2s9dHJ1ZQ== (Year: 2011).*

Rare electrical store, announced 2019 [online], [site visited Aug. 30, 2021]. Available on internet, URL:https://www.amazon.com/Rareelectrical-FLYWHEEL-COMPATIBLE-3210238F00-32102-38F00/dp/B07PJNMDLP/ref=sr_1_141?dchild=1&keywords=flywheel&qid=1630079837&sr=8-141 (Year: 2019).*

* cited by examiner

Primary Examiner — Khawaja Anwar

Assistant Examiner — Julice Seung Eun Oum

(74) *Attorney, Agent, or Firm* — Dorsey & Whitney LLP

(57) **CLAIM**

I claim the ornamental design for a flywheel of a stationary exercise machine, as shown and described.

DESCRIPTION

FIG. 1 shows a front isometric view of a flywheel of a stationary exercise machine in accordance with the present design.

FIG. 2 shows a rear isometric view thereof.

FIG. 3 shows a front view thereof.

FIG. 4 shows a rear view thereof.

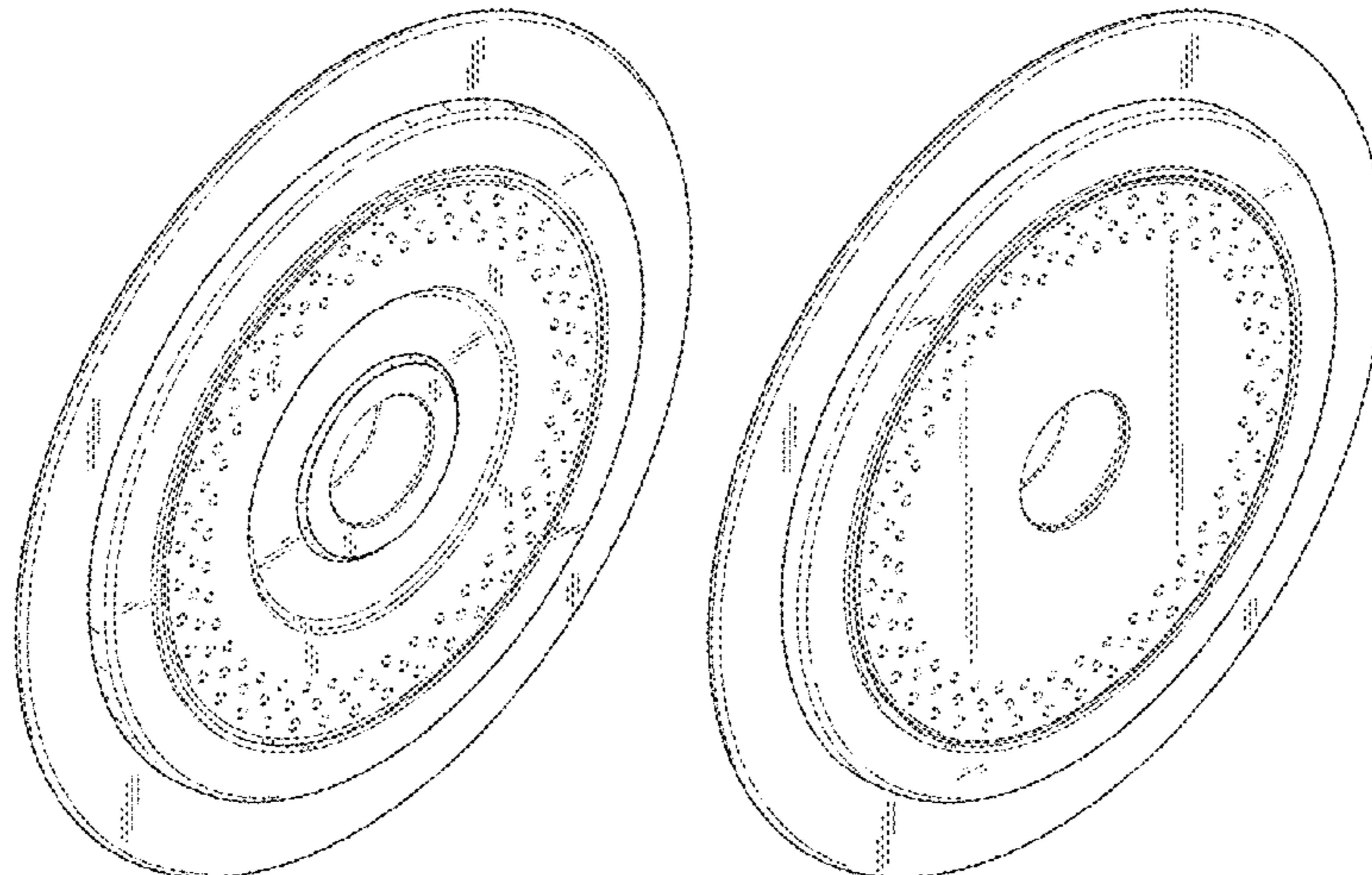
FIG. 5 shows a right side view thereof.

FIG. 6 shows a left side view thereof.

FIG. 7 shows a top view thereof; and,

FIG. 8 shows a bottom view thereof.

(Continued)



The broken lines represent environment that forms no part of the claimed design.

1 Claim, 6 Drawing Sheets

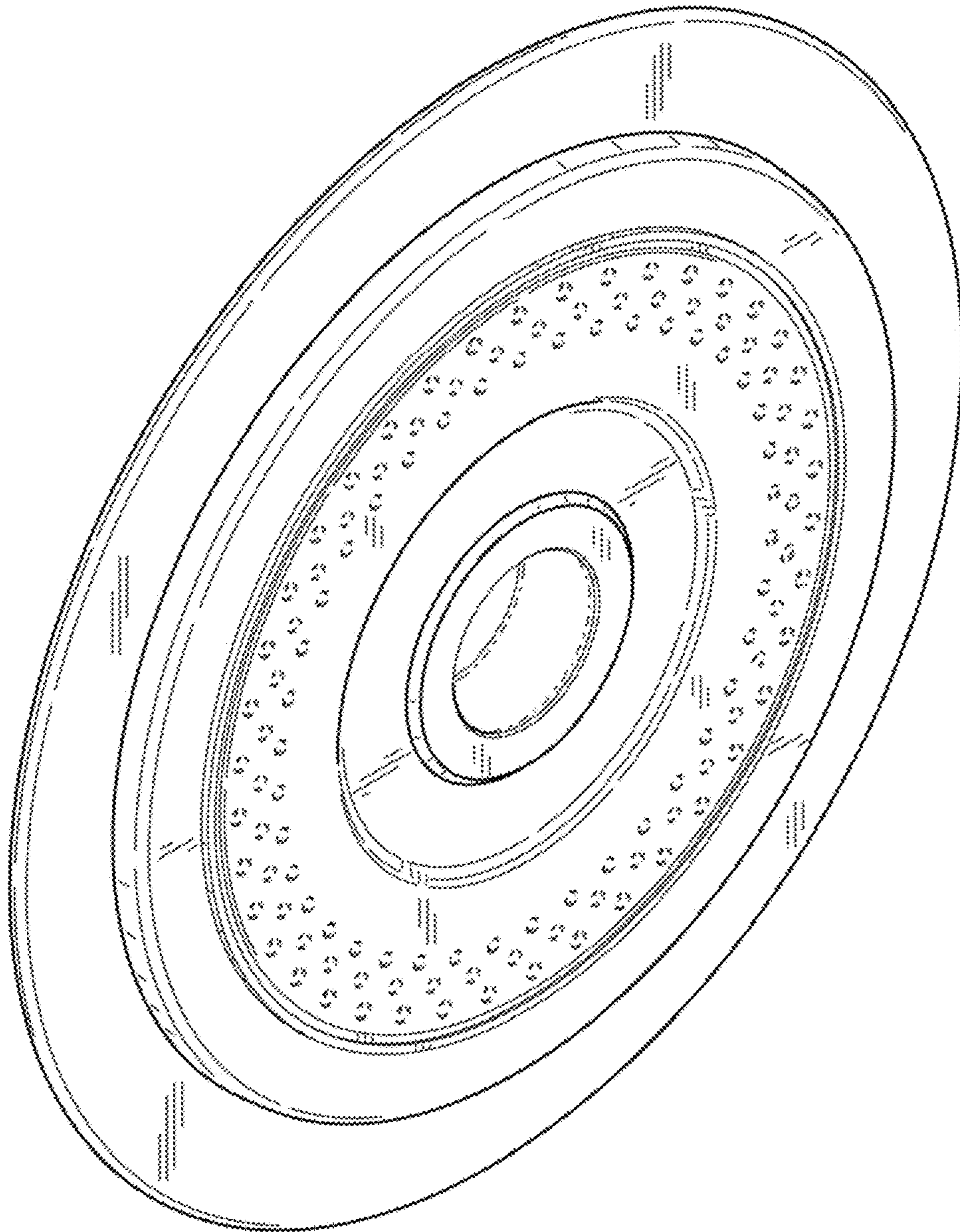


FIG. 1

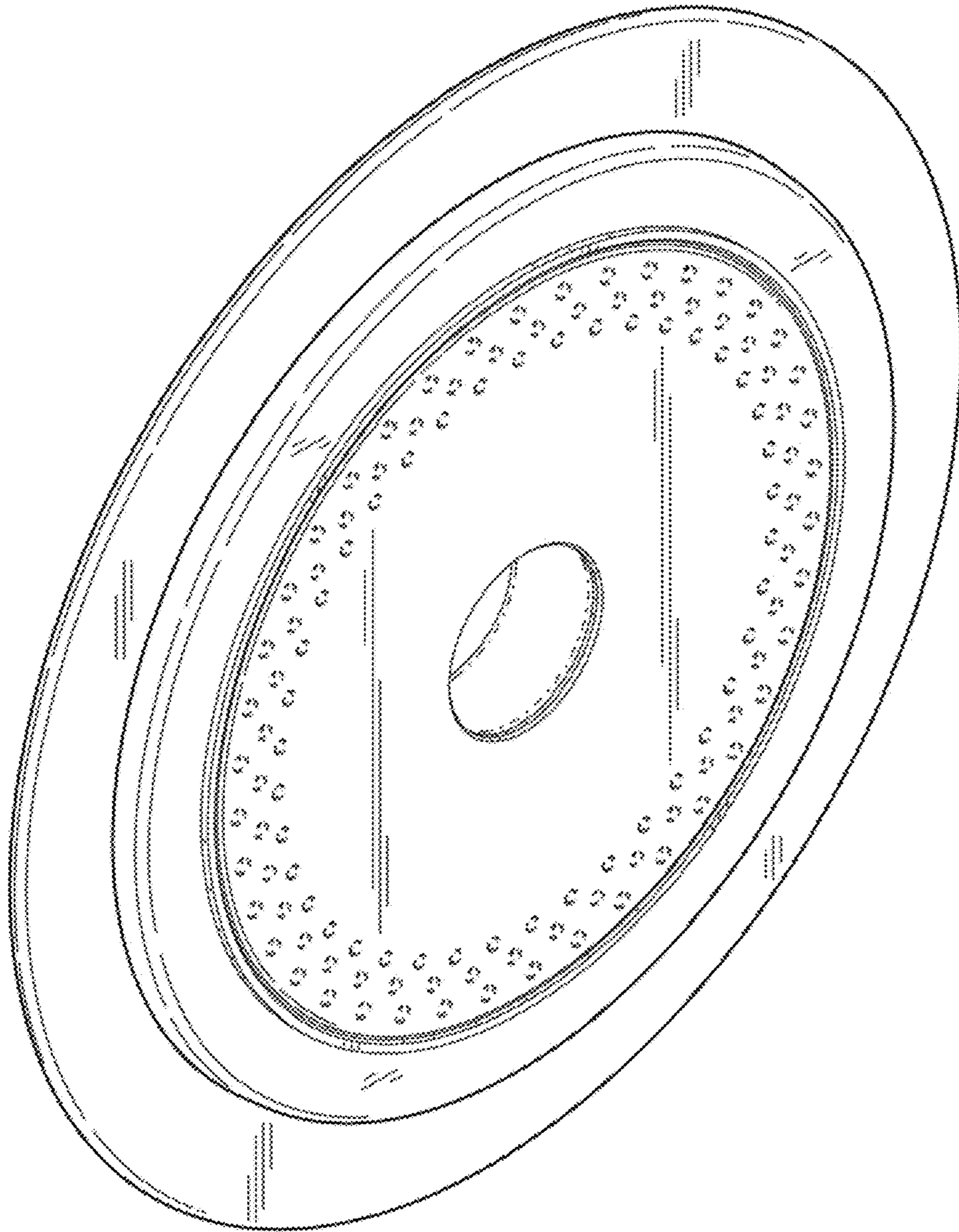


FIG. 2

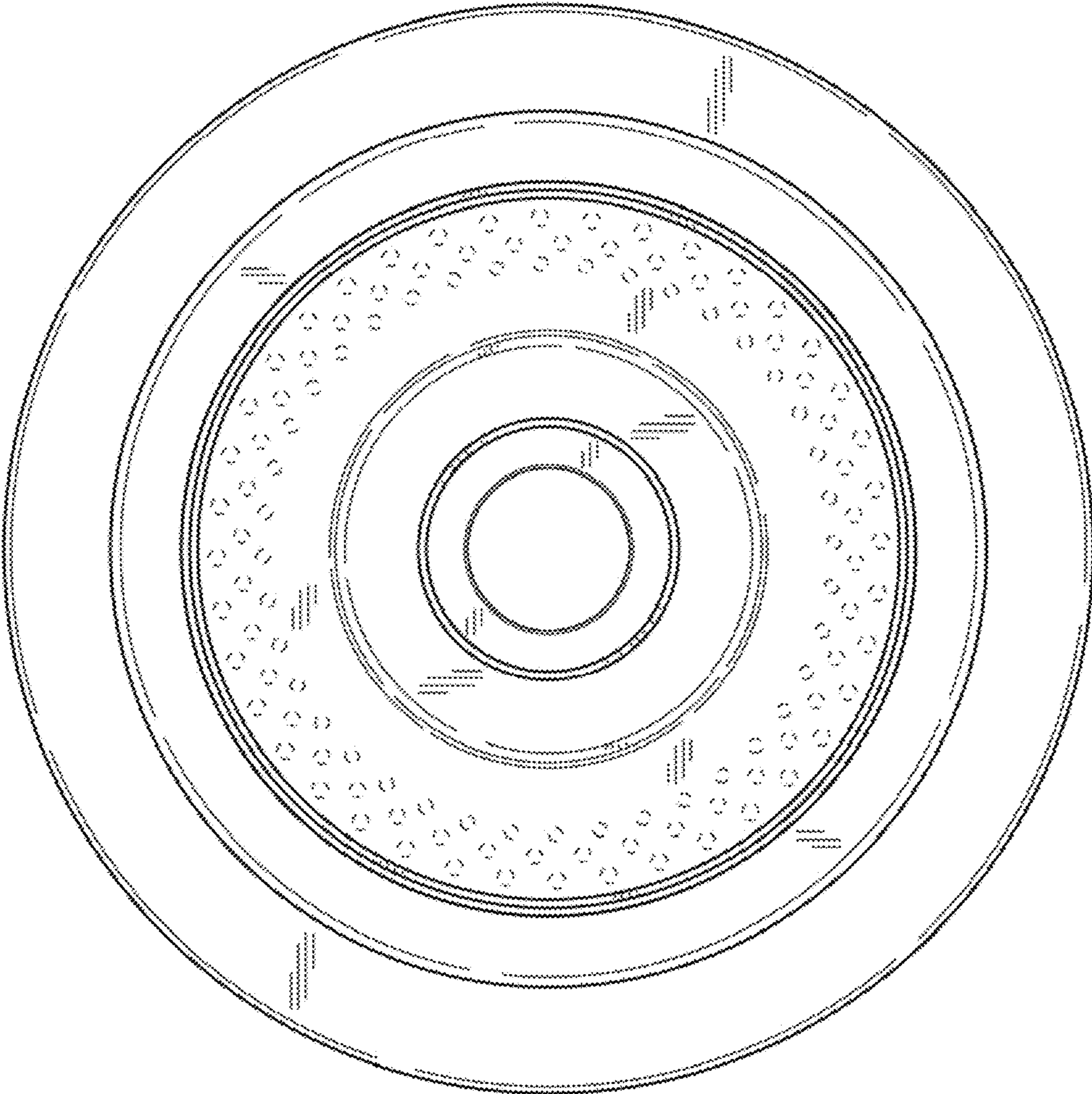


FIG. 3

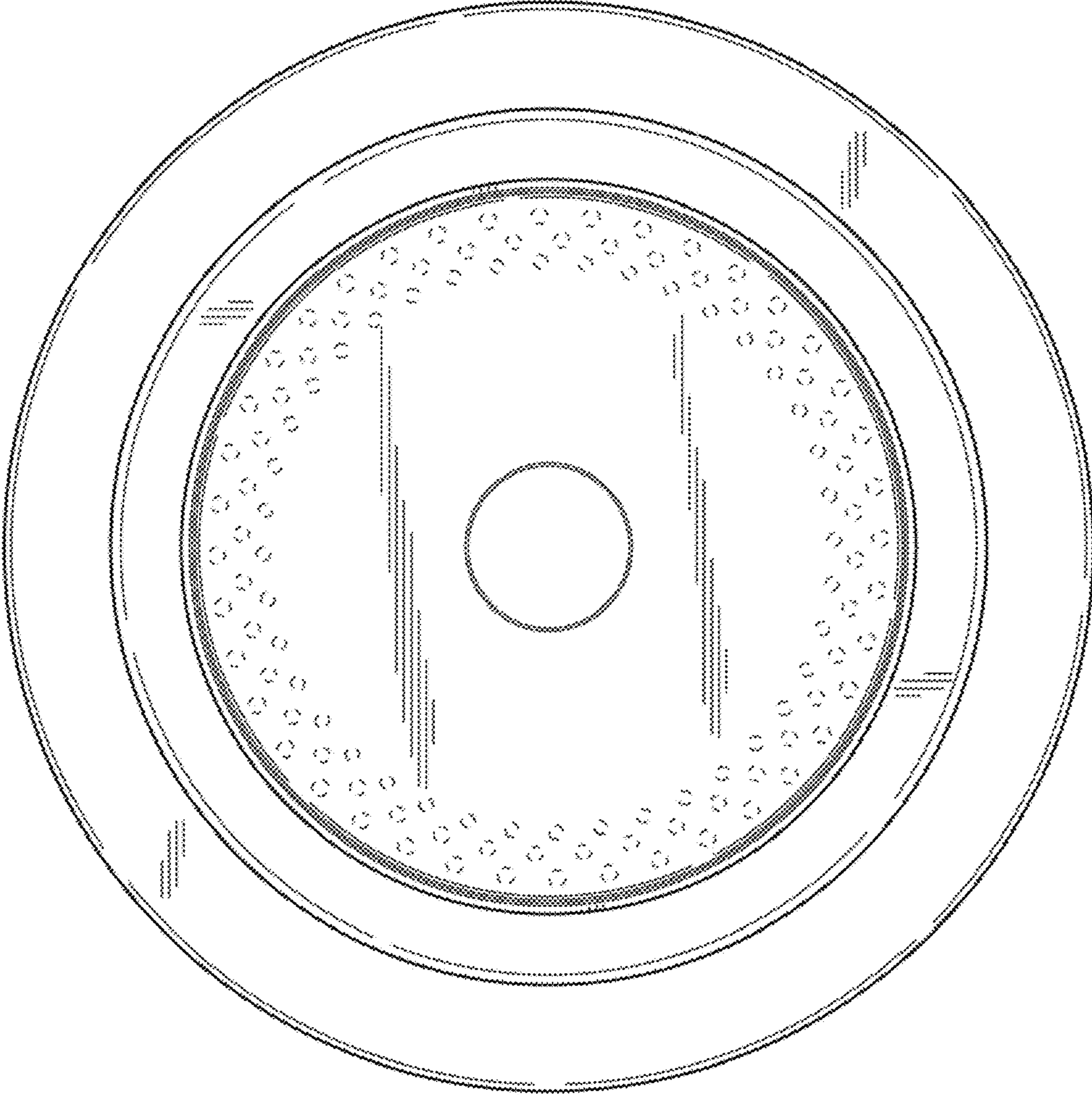


FIG. 4

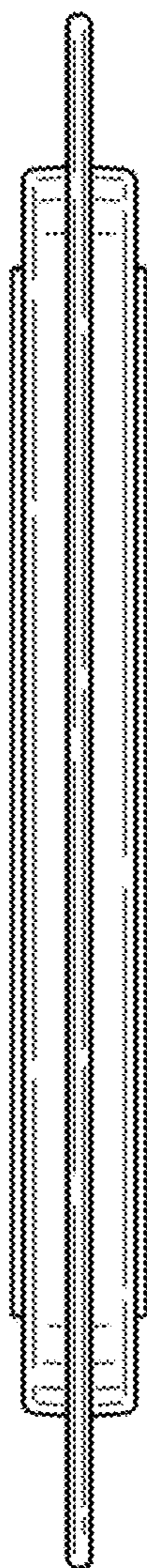


FIG. 5

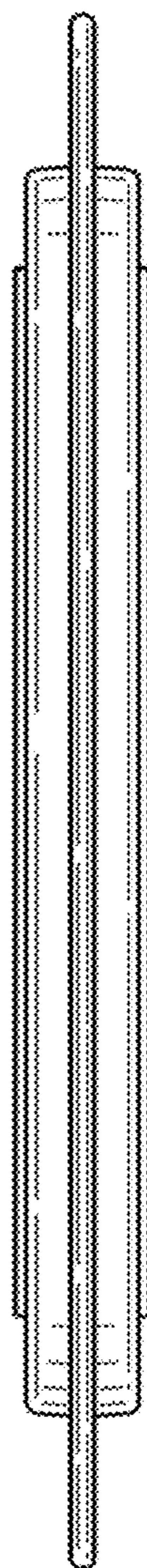


FIG. 6

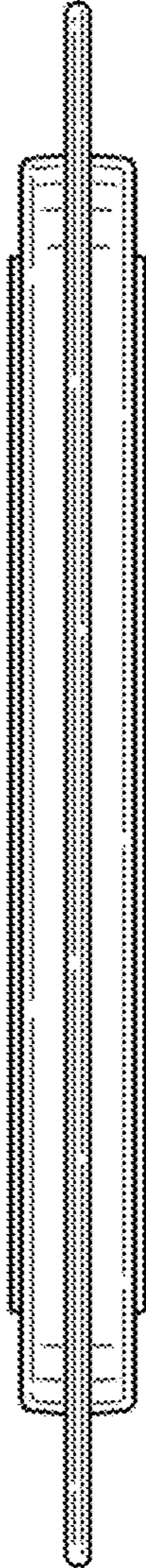


FIG. 7

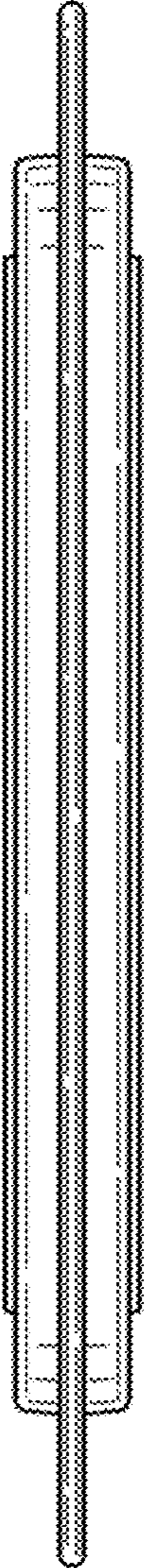


FIG. 8