



US00D947291S

(12) **United States Design Patent** (10) **Patent No.:** **US D947,291 S**
Wu (45) **Date of Patent:** **** Mar. 29, 2022**

(54) **TOY GUN**
(71) Applicant: **Shaojie Wu**, Dongguan (CN)
(72) Inventor: **Shaojie Wu**, Dongguan (CN)
(**) Term: **15 Years**
(21) Appl. No.: **29/780,274**
(22) Filed: **Apr. 23, 2021**
(51) **LOC (13) Cl.** **21-01**
(52) **U.S. Cl.**
USPC **D21/573**
(58) **Field of Classification Search**
USPC D21/333, 570, 572-575; D14/418;
D22/100, 103
CPC F41B 7/00; F41B 7/003; F41B 7/08; F41B
9/00; F41B 9/0078; F41B 9/0081; F41B
11/89; A63H 5/04
See application file for complete search history.

(56) **References Cited**

U.S. PATENT DOCUMENTS

5,377,655 A * 1/1995 Arad F41B 11/55
124/63
D396,068 S * 7/1998 Chikui D21/385
D646,281 S * 10/2011 Markowitz D14/418
D693,347 S * 11/2013 Augustin, Jr. D14/418
D693,811 S * 11/2013 Augustin, Jr. D14/418
D786,986 S * 5/2017 Su D21/570
D832,370 S * 10/2018 Chen D21/573
D832,939 S * 11/2018 Chen D21/573
D908,816 S * 1/2021 Cheng
D928,901 S * 8/2021 Ren D22/103
2004/0255921 A1 * 12/2004 Mitchell F41B 11/641
124/45
2008/0022990 A1 * 1/2008 Mitchell F41B 11/641
124/65

2009/0050127 A1 * 2/2009 Wygant F42B 6/00
124/56
2011/0271940 A1 * 11/2011 Meggs F41B 11/641
124/56
2017/0356716 A1 * 12/2017 Mitchell F41B 11/89

OTHER PUBLICATIONS

YEEBAY Shooting Game Toy, Reviewed and online as early as Oct. 10, 2020 [online], [site visited Dec. 13, 2021]. Available from Internet: <URL:https://www.amazon.com/dp/B087FCMPWW/> (Year: 2020).*

OleFun Shooting Game Toy, Reviewed and online as early as Dec. 18, 2020,[online], [site visited Dec. 13, 2021]. Available from Internet: <URL: https://www.amazon.com/dp/B087CWWLYM/> (Year: 2020).*

* cited by examiner

Primary Examiner — Cynthia M. Chin
(74) *Attorney, Agent, or Firm* — Justin Lampel

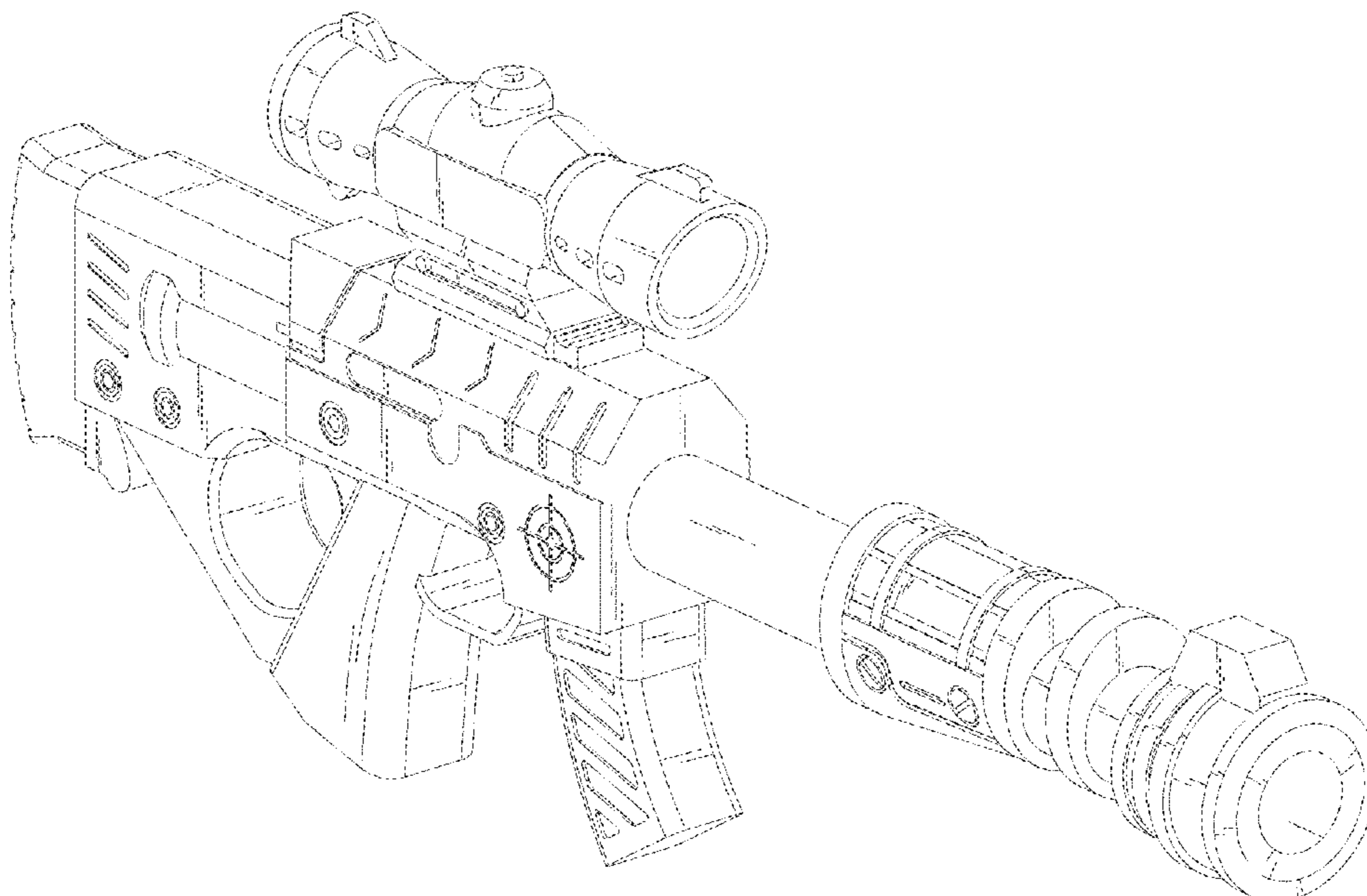
(57) **CLAIM**

The ornamental design for a toy gun, as shown and described.

DESCRIPTION

FIG. 1 is a perspective view of a toy gun showing the claimed design;
FIG. 2 is a top plan view thereof;
FIG. 3 is a left side view thereof;
FIG. 4 is a front elevational view thereof;
FIG. 5 is a right side view thereof;
FIG. 6 is a rear elevational view thereof; and,
FIG. 7 is a bottom plan view thereof.
The broken lines illustrate portions of the toy gun that form no part of the claimed design.

1 Claim, 7 Drawing Sheets



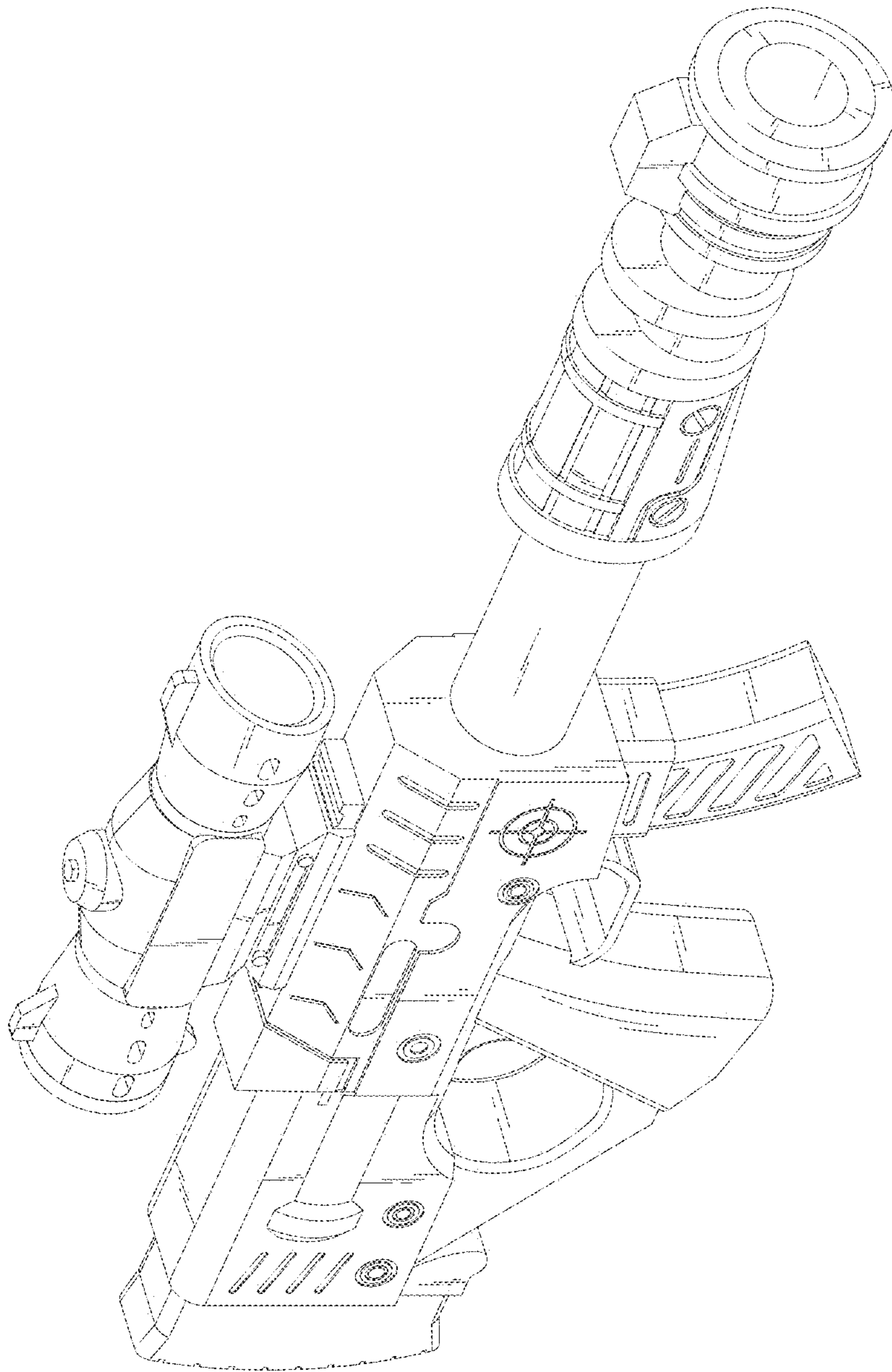


FIG. 1

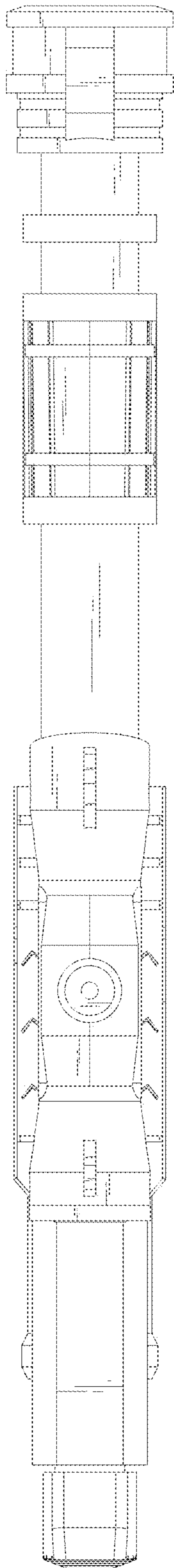


FIG. 2

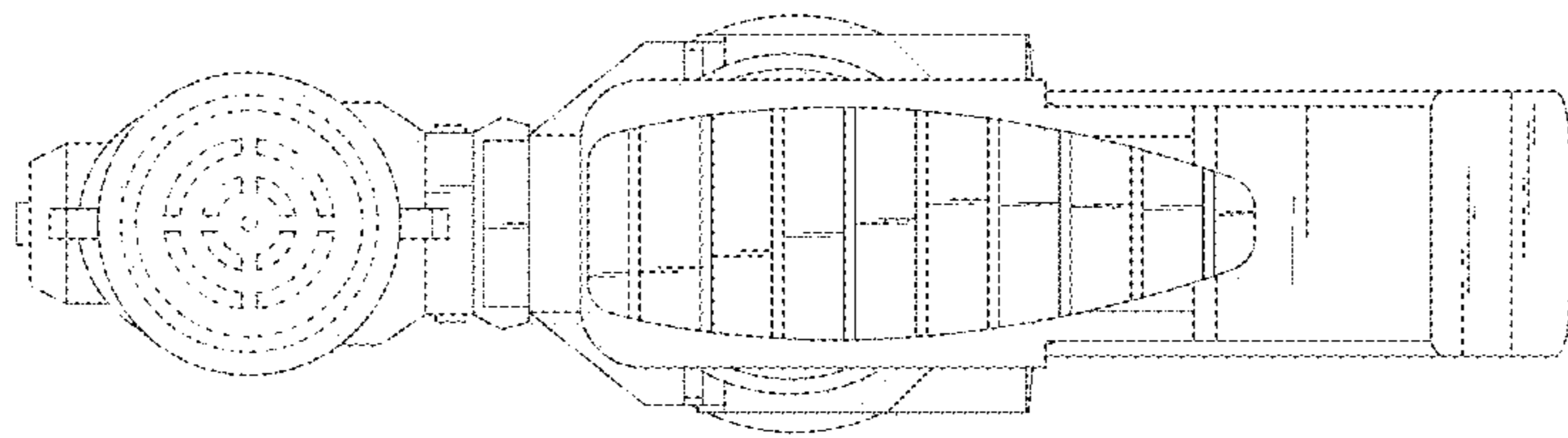


FIG. 3

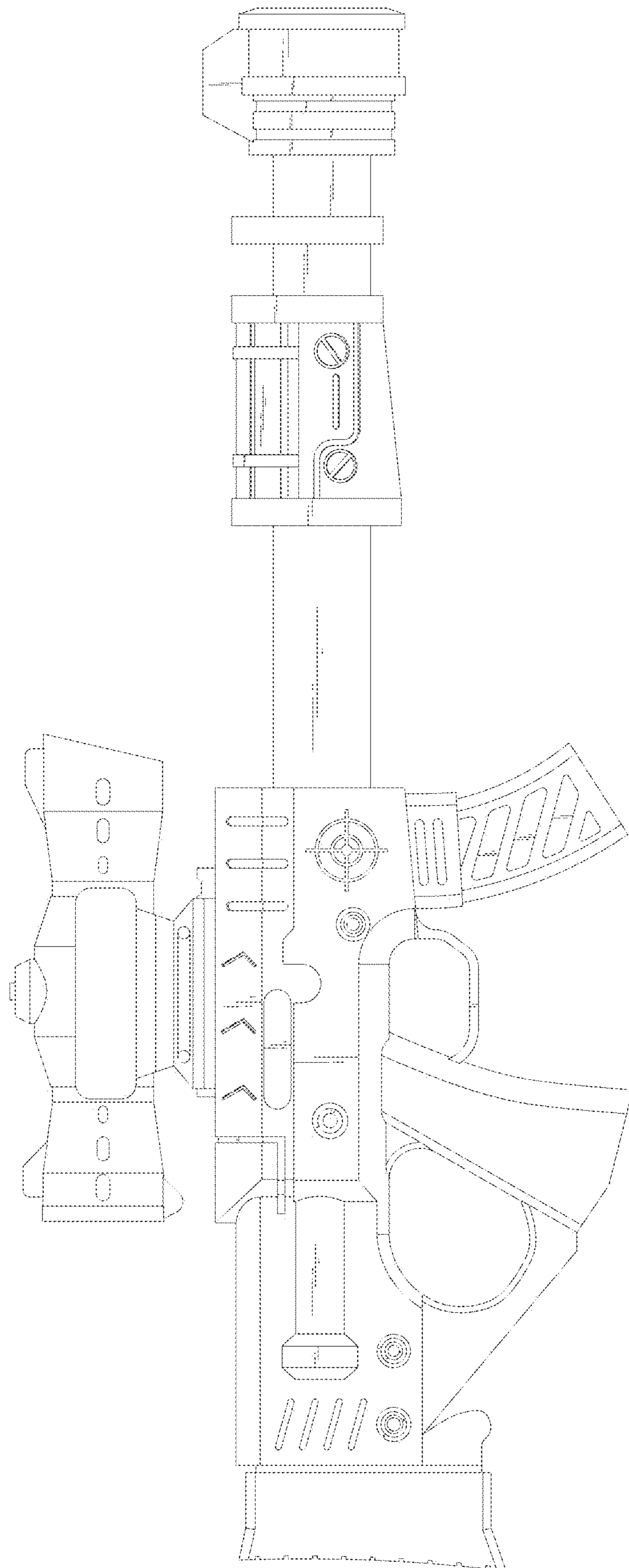


FIG. 4

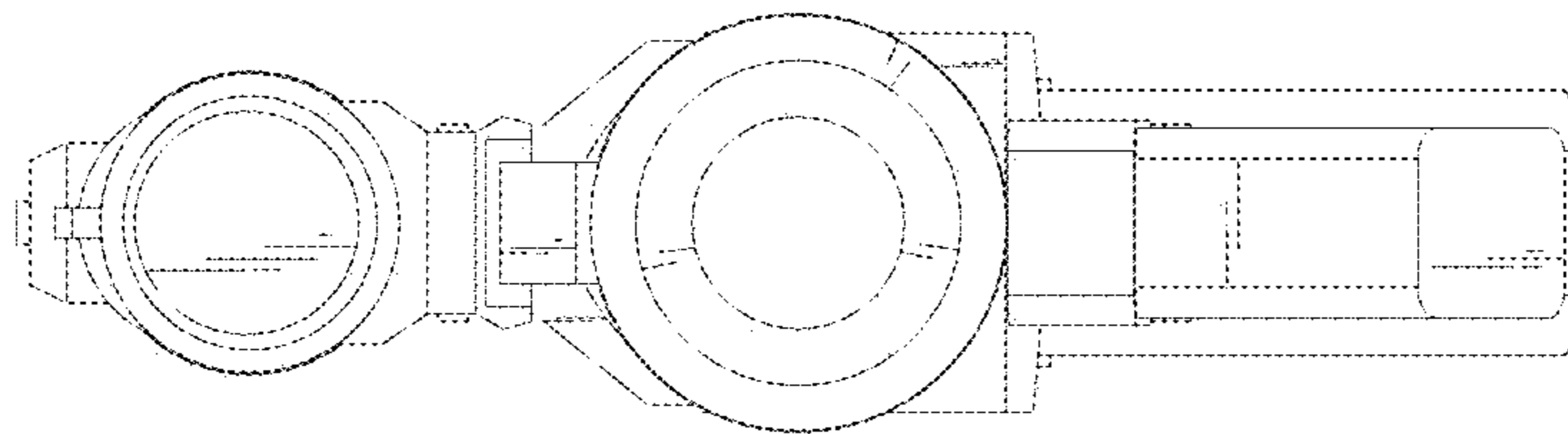


FIG. 5

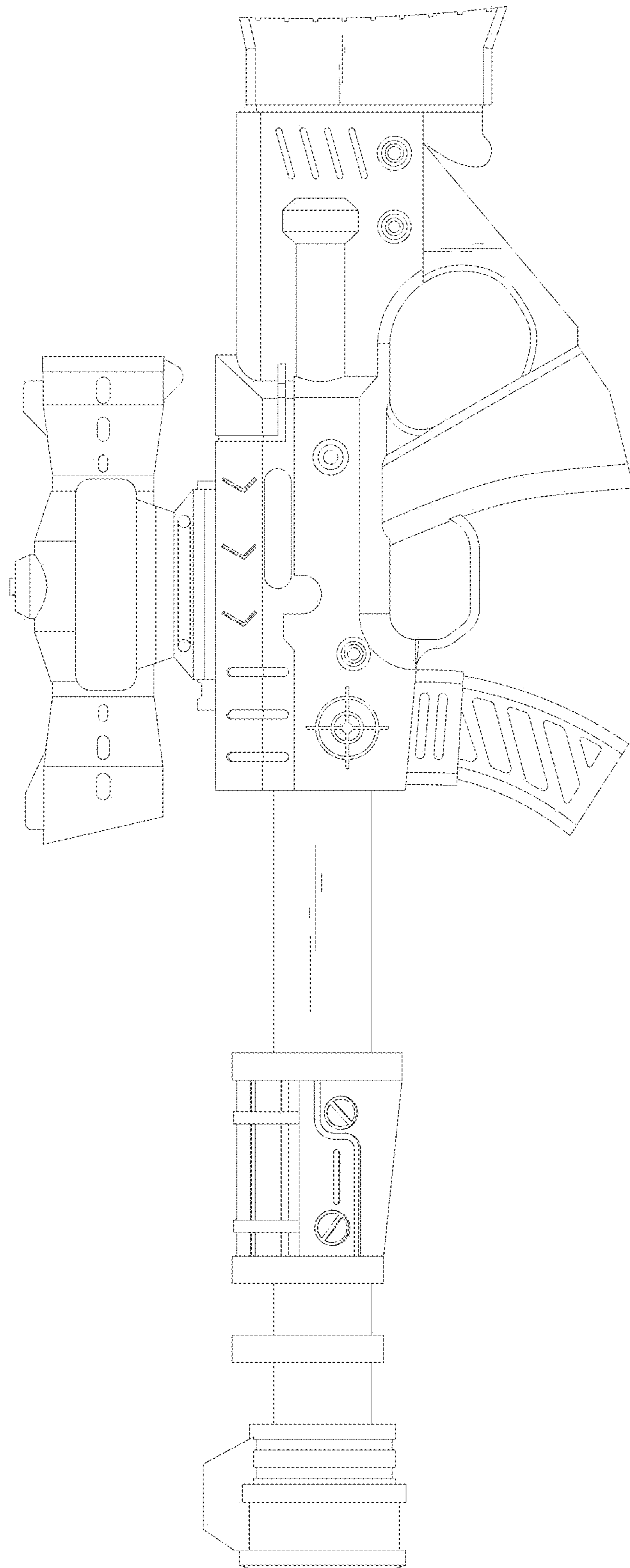


FIG. 6

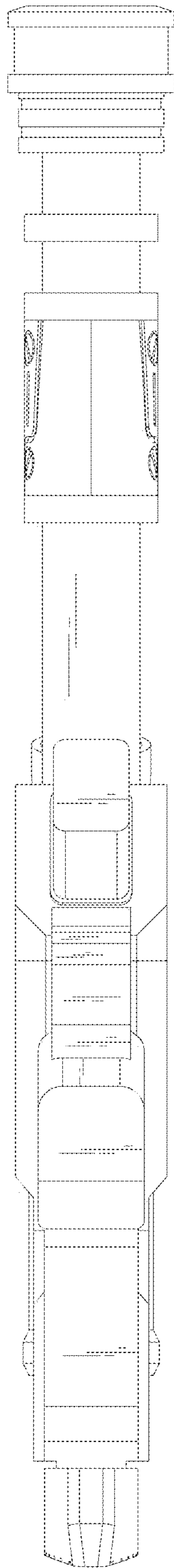


FIG. 7