



US00D947290S

(12) **United States Design Patent** (10) **Patent No.:** **US D947,290 S**
Christensen et al. (45) **Date of Patent:** **** Mar. 29, 2022**

(54) **MODEL VEHICLE AXLE CARRIER**

FOREIGN PATENT DOCUMENTS

(71) Applicant: **TRAXXAS, L.P.**, McKinney, TX (US)

DE 102008057196 A1 7/2009
EM 007721154-0004 3/2020

(72) Inventors: **Casey Christen Jens Christensen**,
McKinney, TX (US); **Otto Karl**
Allmendinger, Rowlett, TX (US); **Kent**
Poteet, Lucas, TX (US)

(Continued)

(73) Assignee: **TRAXXAS LP**, McKinney, TX (US)

Traxxas Rear Stub Axle Carrier, Published date unavailable [online],
[retrieved on Feb. 5, 2022]. Retrieved from the Internet: <https://www.rcmart.com/traxxas-rear-left-and-right-stub-axle-carrier-for-jato-5555-00036488> (Year: 2022).*

(**) Term: **15 Years**

(Continued)

(21) Appl. No.: **29/757,026**

(22) Filed: **Nov. 2, 2020**

(51) **LOC (13) Cl.** **21-01**

(52) **U.S. Cl.**
USPC **D21/562**; D12/159

(58) **Field of Classification Search**
USPC D21/495, 561, 562; D12/159, 160, 161,
D12/400

CPC A63H 17/00; A63H 17/004; A63H 17/26;
A63H 17/262; A63H 17/264; A63H
17/36; A63H 17/38; A63H 17/395; A63H
30/00; A63H 30/04; A63H 7/04; B60G
2204/128; B60G 13/003; B62D 25/00;
B62D 35/00

See application file for complete search history.

Primary Examiner — Cary M Robinson

Assistant Examiner — Adam C Mager

(74) *Attorney, Agent, or Firm* — Daryl R. Wright; Greg
Carr

OTHER PUBLICATIONS

(57) **CLAIM**

We claim the ornamental design for a model vehicle axle carrier, as shown and described.

DESCRIPTION

FIG. 1 is an upper, right, front perspective view, including the mirror image, of a model vehicle axle carrier showing our new design;

FIG. 2 is a left side view thereof;

FIG. 3 is a right side view thereof;

FIG. 4 is a front elevation view thereof;

FIG. 5 is a rear elevation view thereof;

FIG. 6 is an upper plan view thereof;

FIG. 7 is a lower plan view thereof; and,

FIG. 8 is a lower, right, rear perspective view of the model vehicle axle carrier.

In the drawings, the broken lines illustrate portions of the model vehicle axle carrier that form no part of the claimed design.

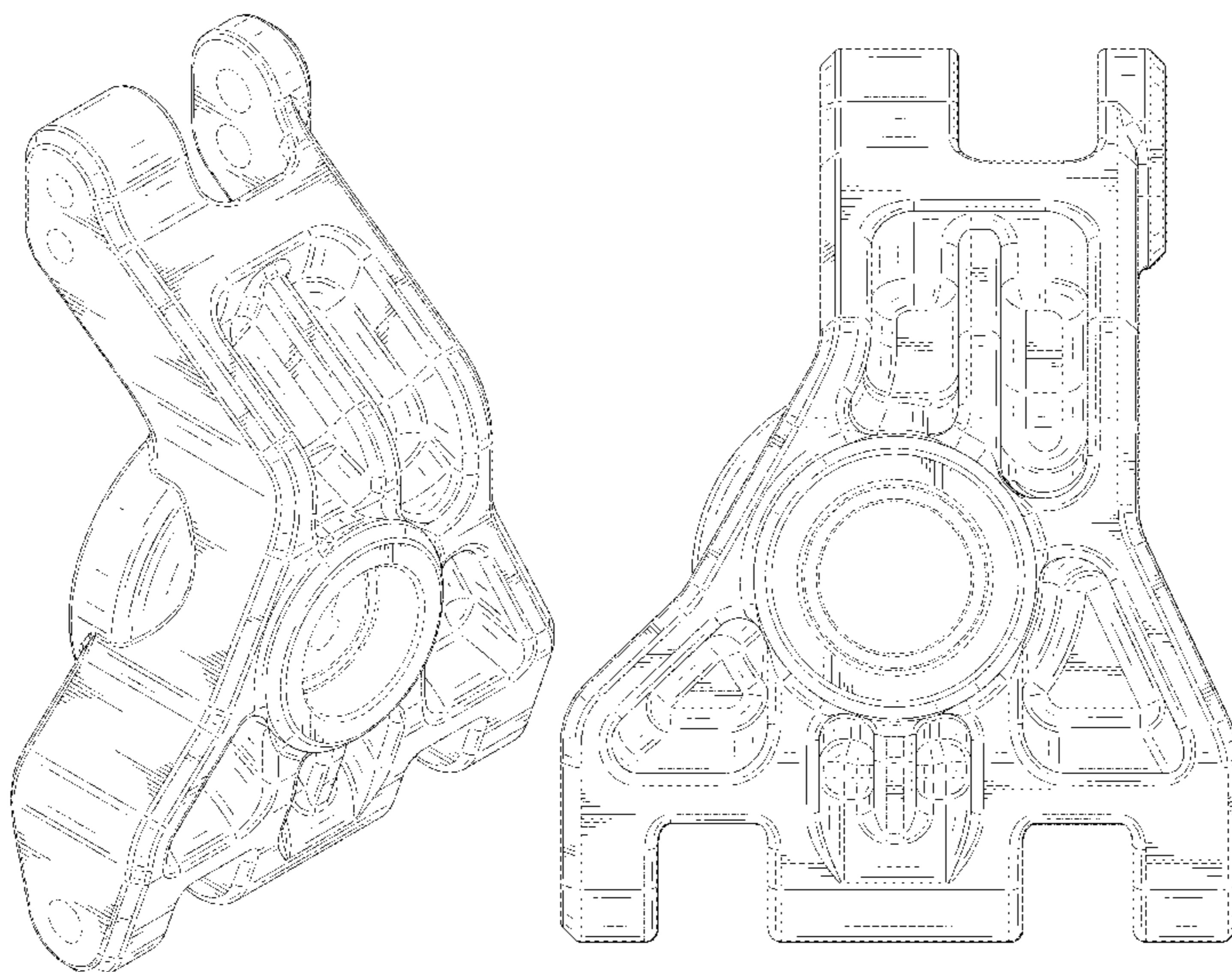
(56) **References Cited**

U.S. PATENT DOCUMENTS

1,377,905 A	5/1921	Martz
1,455,706 A	5/1923	Bower et al.
2,041,992 A	5/1936	Noel
2,083,085 A	6/1937	Palmer
2,132,545 A	10/1938	Smith
2,547,435 A	4/1951	Bouchard
3,306,077 A	2/1967	Piatti
3,333,654 A	8/1967	Price-Stephens
3,767,221 A	10/1973	Asberg
D242,442 S	11/1976	Garrison

(Continued)

1 Claim, 8 Drawing Sheets



(56)

References Cited

U.S. PATENT DOCUMENTS

4,509,932 A 4/1985 Weible
 4,632,203 A 12/1986 Krude
 4,690,656 A 9/1987 Friedman et al.
 D304,472 S 11/1989 Poulsen
 D304,473 S 11/1989 Poulsen
 D311,942 S 11/1990 Dideriksen
 D332,978 S 2/1993 Tsuchiya
 D341,560 S 11/1993 Fabris et al.
 5,338,247 A 8/1994 Miles
 5,498,208 A 3/1996 Braun
 5,516,130 A 5/1996 Mitchell
 D385,835 S 11/1997 Webster
 D403,023 S 12/1998 Araki
 5,954,586 A 9/1999 Kirson
 6,394,878 B1 5/2002 Wang
 6,416,136 B1 7/2002 Smith
 6,478,709 B1 11/2002 Irwin et al.
 6,513,614 B2 2/2003 Knutson et al.
 6,773,353 B2 8/2004 Cornay et al.
 6,820,707 B1 11/2004 Cantemir
 7,144,326 B2 12/2006 Thompson
 7,690,660 B2 4/2010 Dudding et al.
 7,810,604 B2 10/2010 Byers et al.
 7,841,923 B2 11/2010 Marzetta et al.
 D686,677 S 7/2013 Simonds
 D686,952 S 7/2013 Rau et al.
 8,540,260 B1 9/2013 Batdorf et al.
 8,574,022 B2 11/2013 Grisolia et al.
 8,893,364 B2 11/2014 Rode
 D788,653 S 6/2017 Smith
 D822,125 S * 7/2018 Ewing D21/561
 D826,340 S * 8/2018 Ewing D21/561
 D845,398 S 4/2019 Wood
 D847,911 S 5/2019 Wood
 D847,912 S 5/2019 Wood
 D866,683 S 11/2019 Ewing et al.
 D868,171 S * 11/2019 Wood D21/495
 D869,348 S 12/2019 Kucharski
 D871,273 S 12/2019 Bhaskar
 D880,279 S * 4/2020 Marchesan D8/354
 D900,250 S * 10/2020 Ewing D21/561
 D902,091 S * 11/2020 Ewing D12/159
 D904,532 S * 12/2020 Ewing D21/561
 D923,115 S * 6/2021 Ewing D21/562
 D923,116 S * 6/2021 Ewing D21/562
 D923,722 S * 6/2021 Ewing D21/562
 2002/0065021 A1 5/2002 Wang
 2002/0077025 A1 6/2002 Wu
 2002/0160688 A1 10/2002 Rehkemper et al.
 2002/0165031 A1 11/2002 Riefe
 2004/0005931 A1 1/2004 Wang et al.
 2004/0231910 A1 11/2004 Mercier et al.
 2005/0206222 A1 9/2005 Swanson

2006/0240897 A1 10/2006 Carlini et al.
 2007/0256659 A1 11/2007 Anderson et al.
 2007/0293328 A1 12/2007 Mazziotti
 2008/0238015 A1 10/2008 Duddling et al.
 2009/0020973 A1 1/2009 Richardson
 2009/0029821 A1 1/2009 Martin, III et al.
 2009/0039700 A1 2/2009 Gradu et al.
 2009/0173033 A1 7/2009 Baxter, Jr.
 2011/0001350 A1 1/2011 Schmitz et al.
 2011/0057408 A1 3/2011 Koschinat
 2011/0079978 A1 4/2011 Schreiner et al.
 2011/0315468 A1 12/2011 Sellars et al.
 2013/0278047 A1 10/2013 Gottschalk
 2014/0361507 A1 12/2014 Park et al.
 2015/0191064 A1 7/2015 Gielisch et al.
 2015/0266350 A1 9/2015 Morino
 2017/0028517 A1 2/2017 Ferrari
 2017/0050483 A1 2/2017 Gordon et al.
 2017/0370465 A1 12/2017 Fast et al.
 2019/0030700 A1 * 1/2019 Huang B25B 27/28
 2019/0054818 A1 2/2019 Garcia et al.
 2019/0210661 A1 7/2019 Cao et al.
 2020/0164708 A1 5/2020 Lim et al.
 2020/0198426 A1 * 6/2020 Rosene H05H 1/34
 2020/0282792 A1 9/2020 Hafele et al.

FOREIGN PATENT DOCUMENTS

EM 007721154-0006 3/2020
 WO D095551-014 4/2017

OTHER PUBLICATIONS

Axial; Axial SCX10 II; Aug. 2016.
 Bomber; Bomber Fabrication Gusset Kit; Aug. 2016.
 Wikipedia; Dana 44 Axle; Aug. 2016.
 Reid Racing; Reid Racing Axle Products; Aug. 2016.
 Curri; Currie RockJock 79 Axle; Aug. 2016.
 Xray Model Racing Cars; "T1R Raycer—Instruction Manual;"
 Xray Model Racing Cars, Trencin, Slovak Republic, Europe.
 Traxxas; "T-Maxx Assemblies—Front Assembly;" Traxxas LP, Plano, Texas.
 Traxxas Rear Stub Axle Carrier (1.5 Degree), Earliest Available Date Oct. 29, 2007 [Online], [Site Visited Oct. 28, 2020] Available From Internet, URL: <https://www.ainhobbies.com/traxxas-rear-stub-axle-carrier-1.5-degree-tra4352/p17759?gclid=EAIaIQobChMlyY7Ak_TX7AIVWQilCR1dzw2fEAQYBCABEgL99vD_BwE> (Year: 2007).
 Axle Bearing Carrier Suzuki LTZ400 Kawasaki KFX400 Arctic DVX400, Earliest Available Date Jun. 13, 2018 [Online], [Site Visited Oct. 28, 2020] Available From Internet, URL: <<https://www.amazon.com/Bearing-Carrier-SUZUKI-LTZ400-KAWASAKI/dp/B07F22WBPI>> (Year: 2018).

* cited by examiner

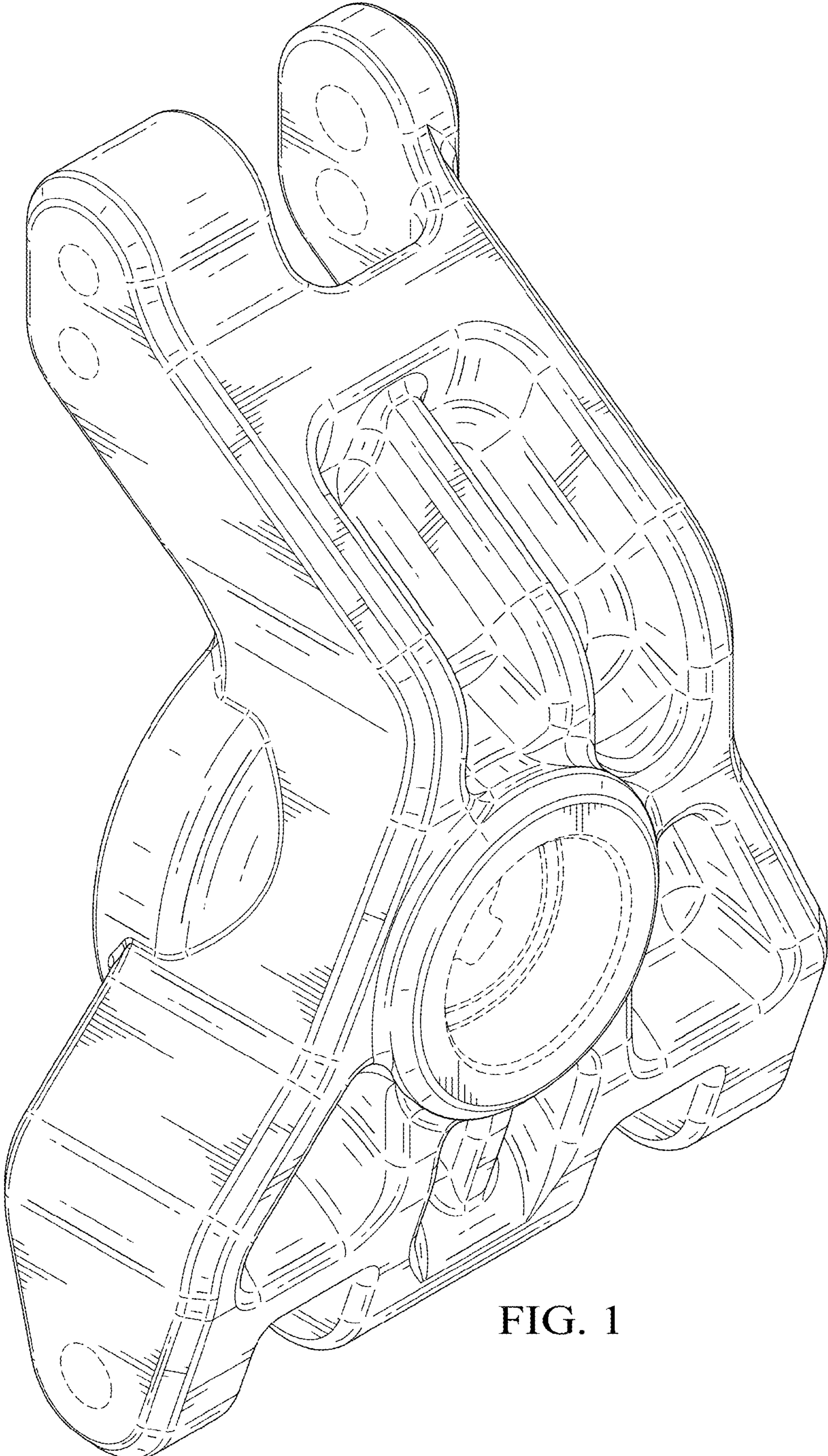


FIG. 1

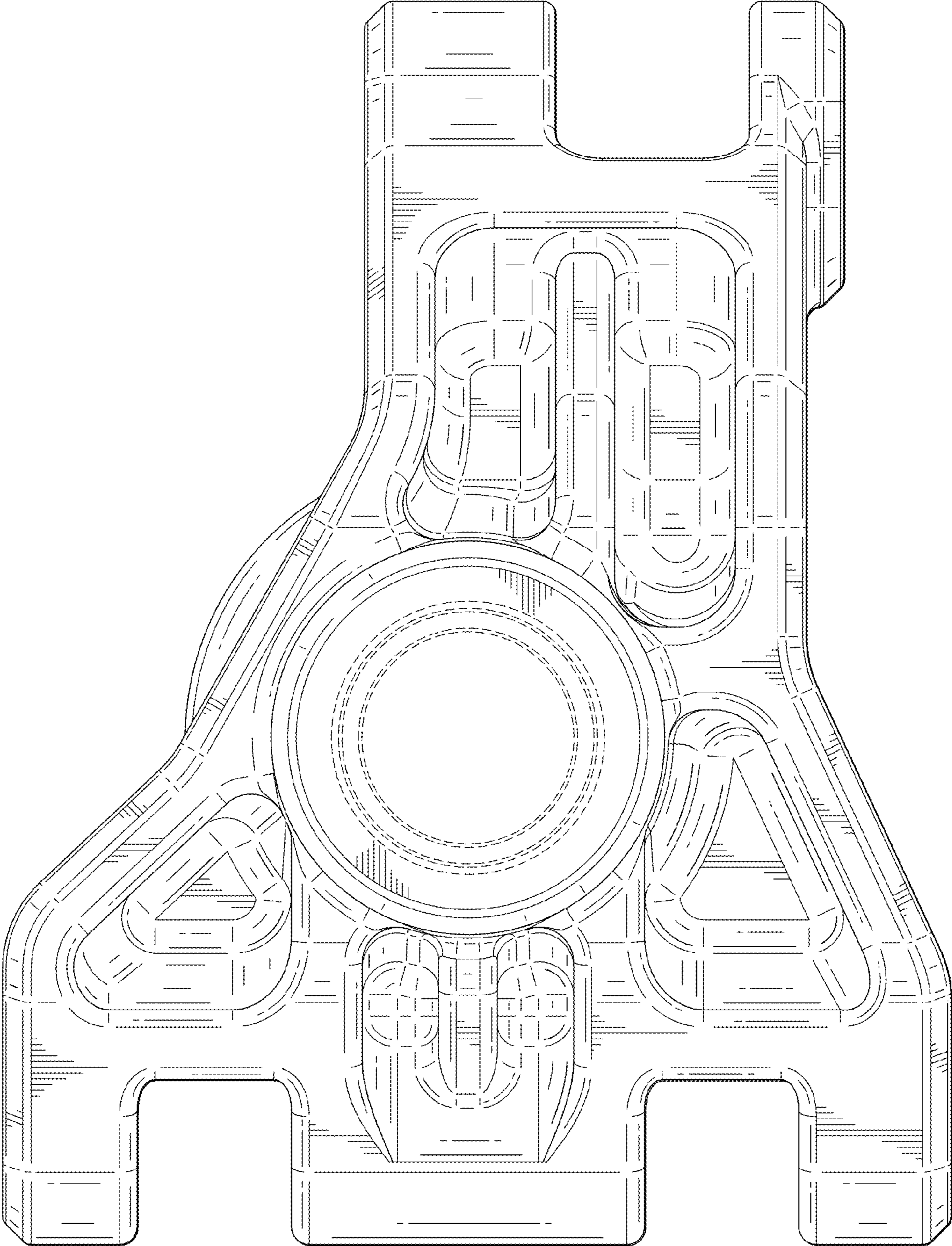


FIG. 2

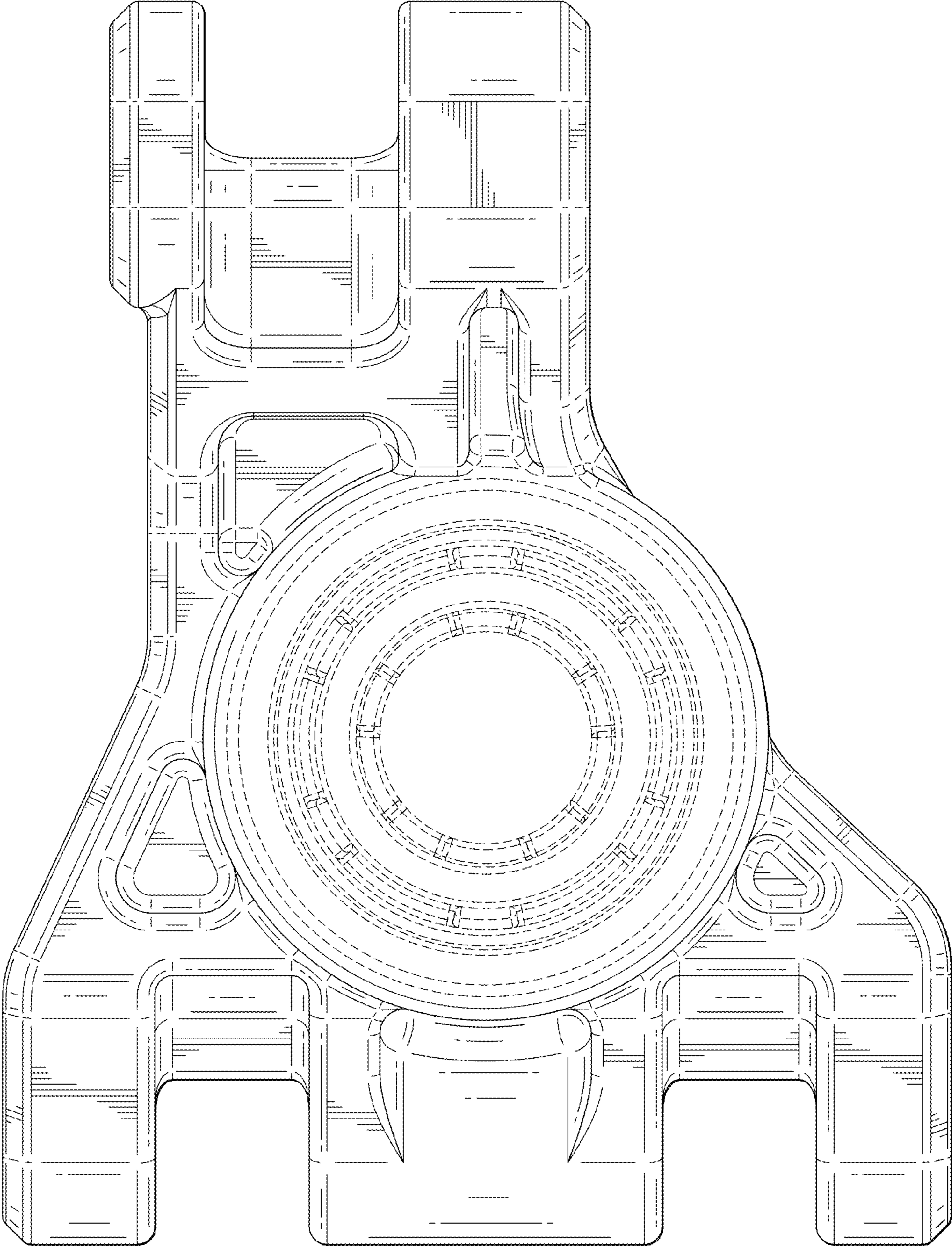


FIG. 3

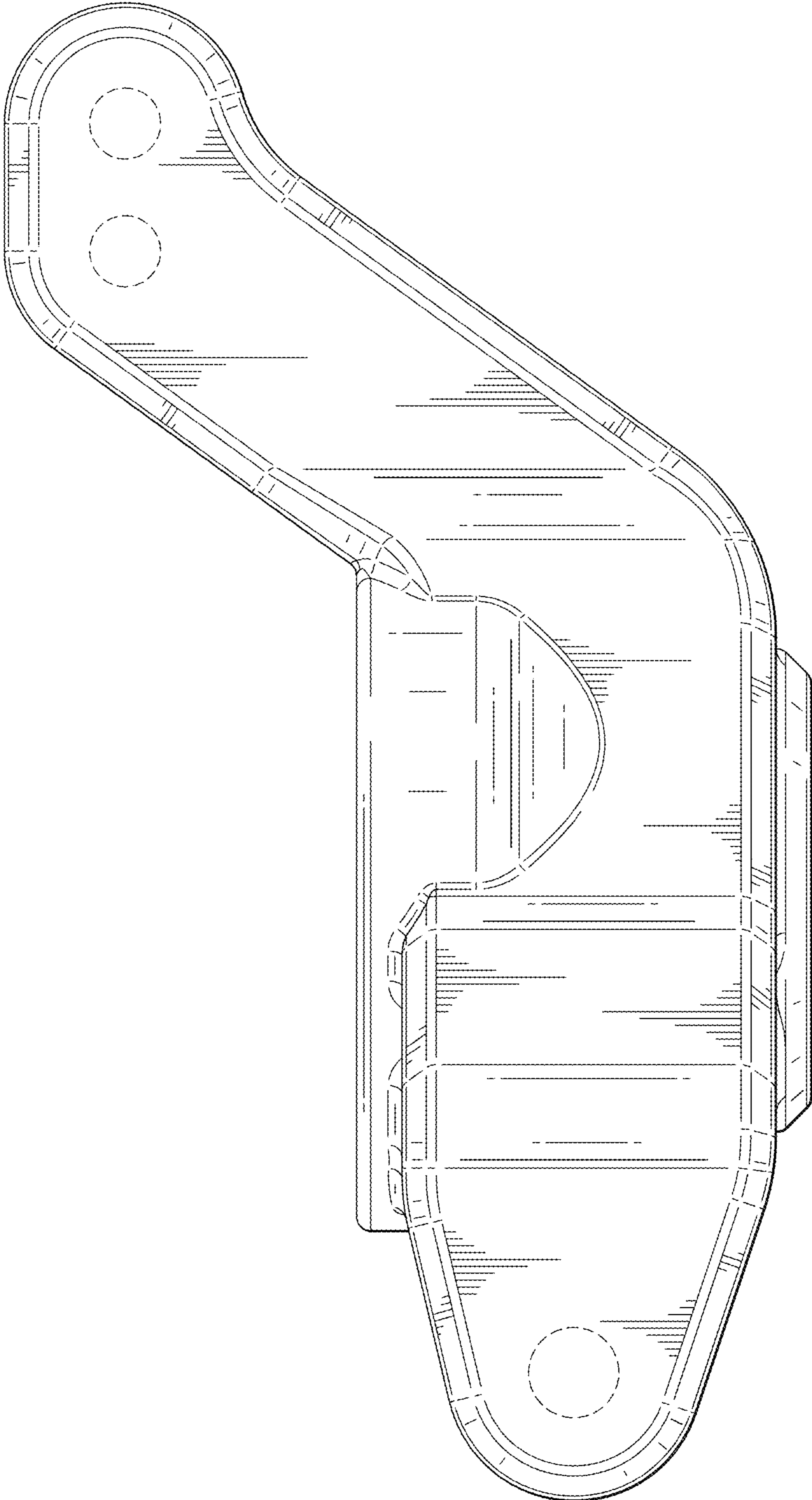


FIG. 4

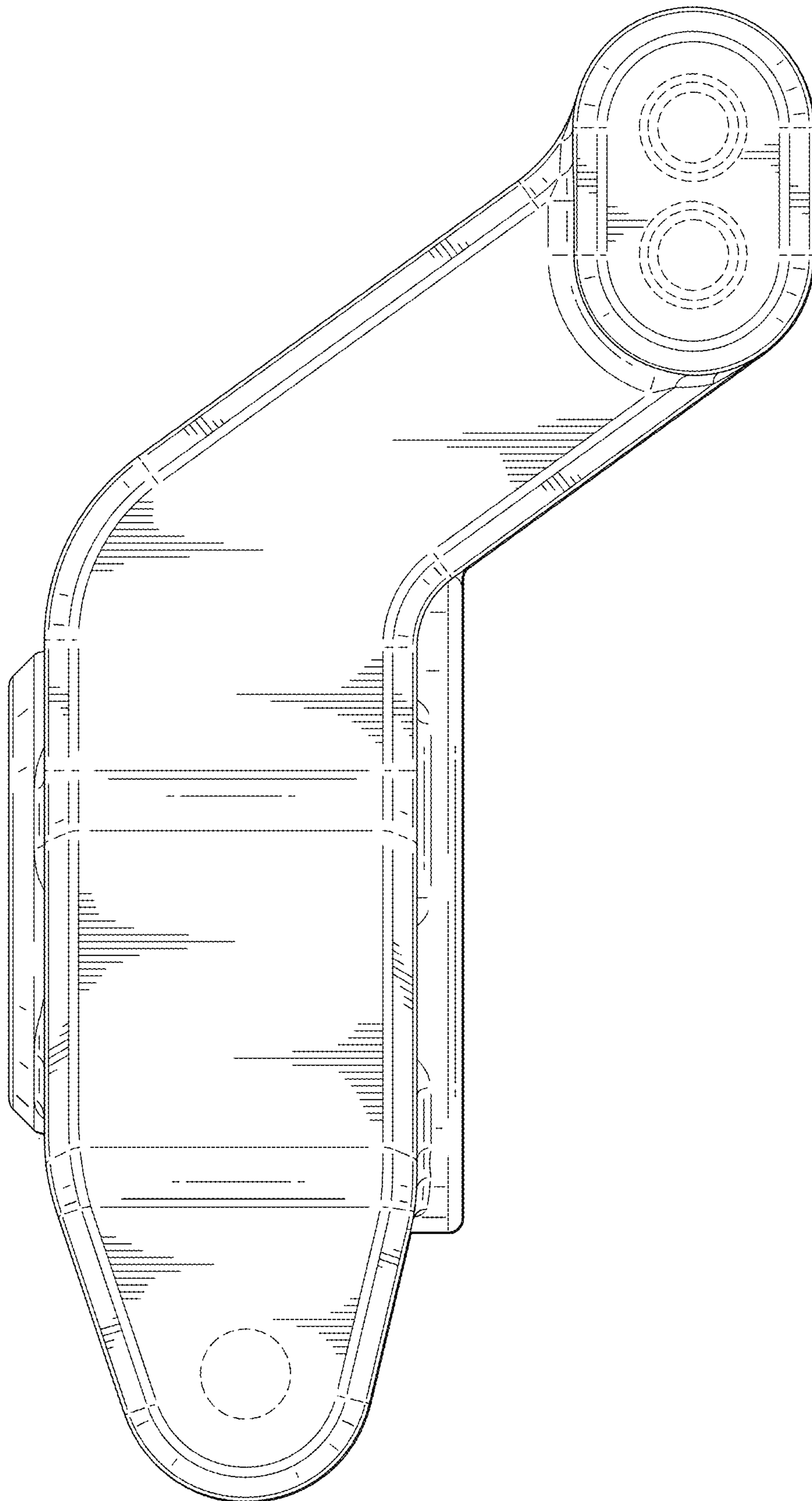


FIG. 5

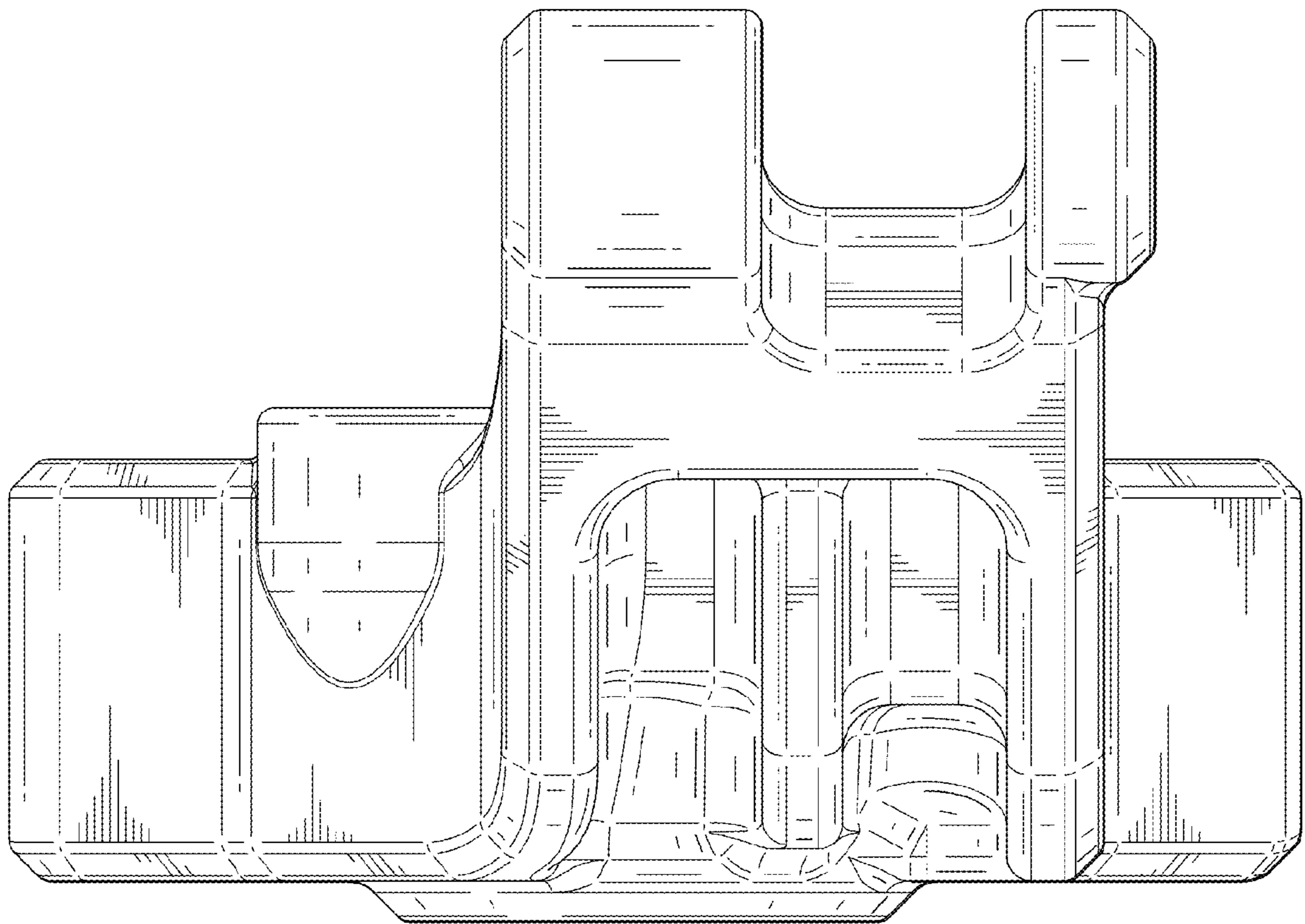


FIG. 6

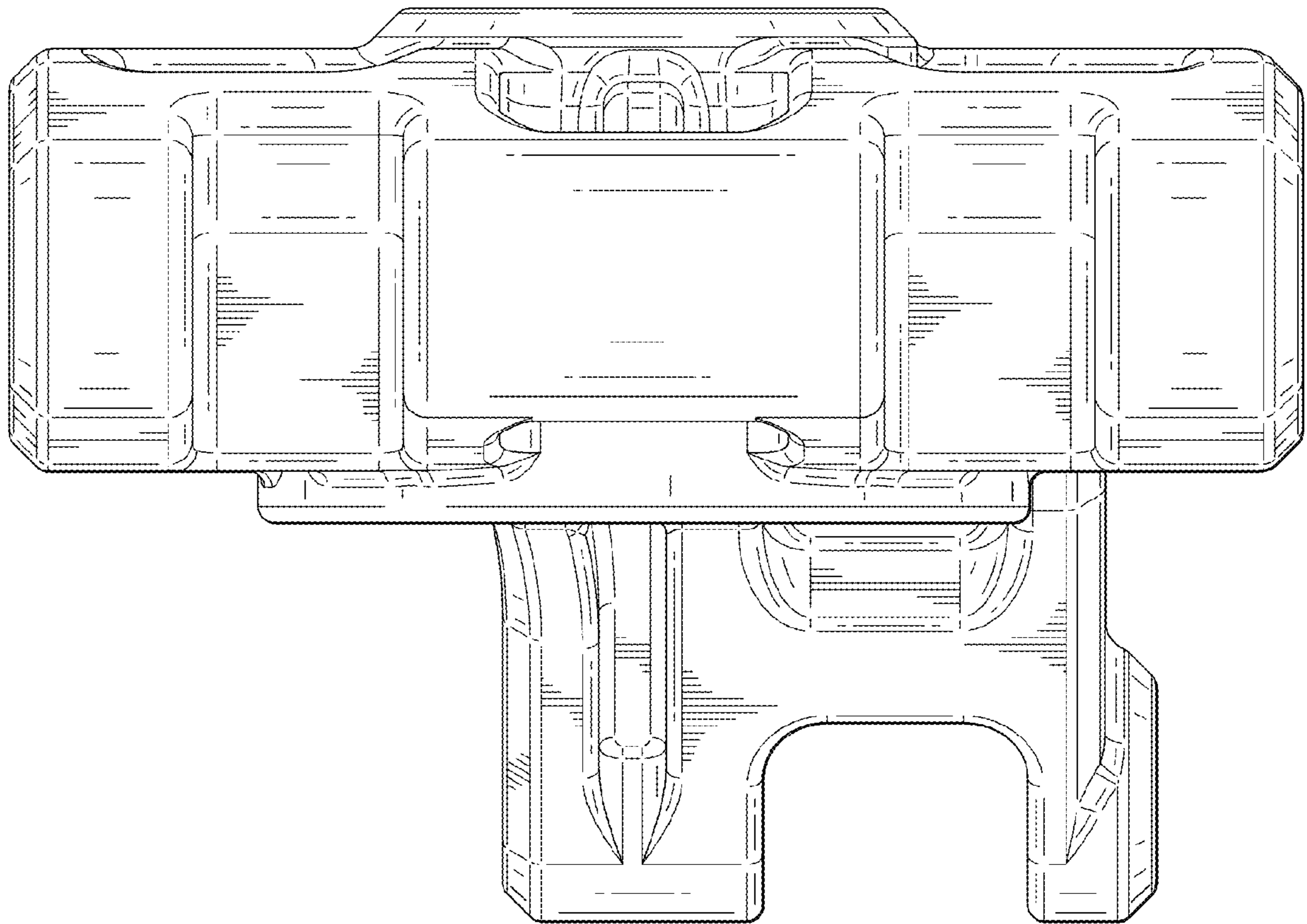


FIG. 7

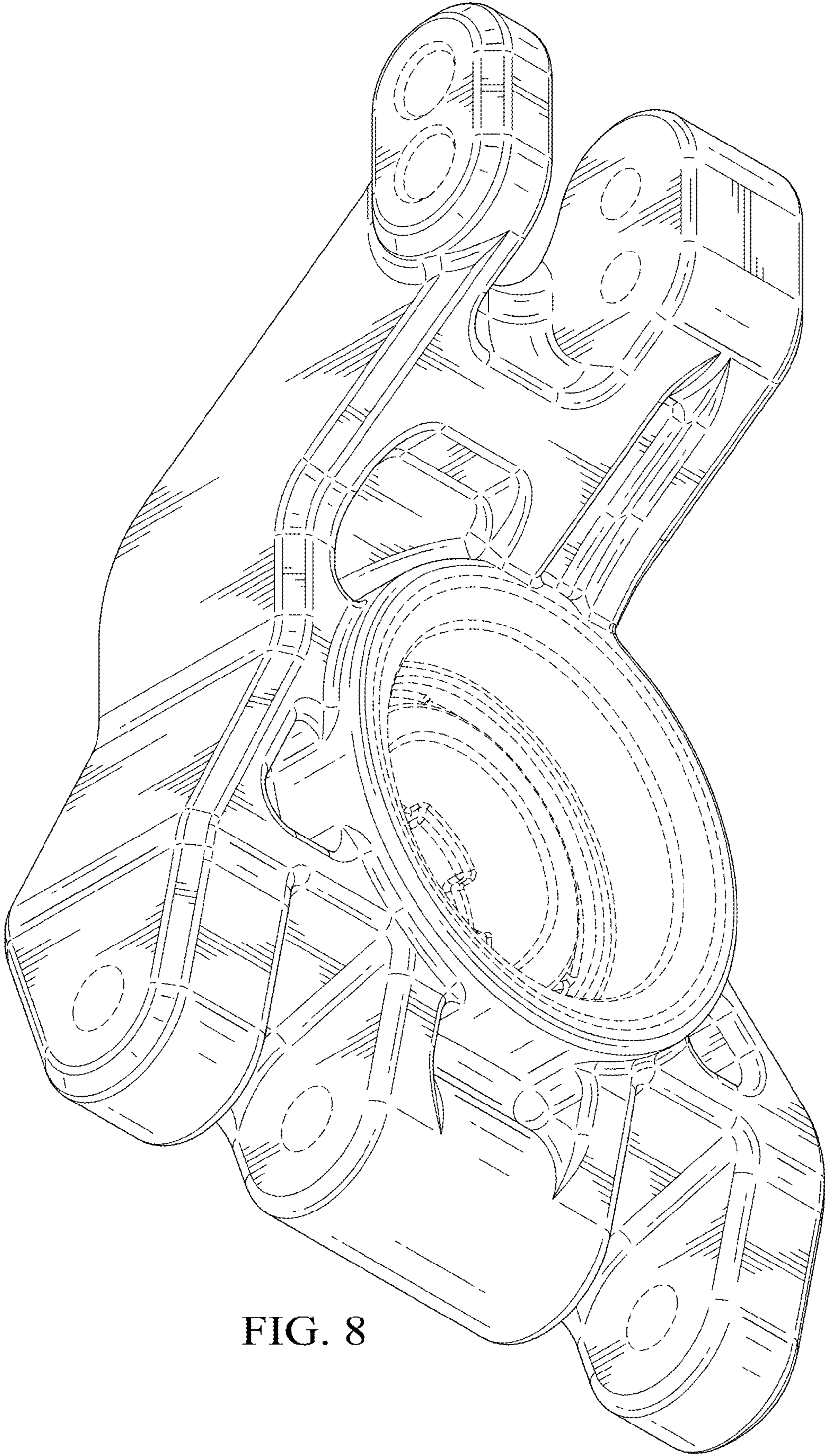


FIG. 8