



US00D947288S

(12) **United States Design Patent**  
**Jiang**

(10) **Patent No.:** **US D947,288 S**  
(45) **Date of Patent:** **\*\* Mar. 29, 2022**

(54) **ELECTRIC SCOOTER**

(71) Applicant: **Yixia Jiang**, Delft (NL)

(72) Inventor: **Yixia Jiang**, Delft (NL)

(\*\*) Term: **15 Years**

(21) Appl. No.: **29/814,739**

(22) Filed: **Nov. 9, 2021**

**Related U.S. Application Data**

(63) Continuation-in-part of application No. 29/648,038, filed on May 17, 2018, now abandoned.

(51) **LOC (13) Cl.** ..... **21-01**

(52) **U.S. Cl.**  
USPC ..... **D21/423**

(58) **Field of Classification Search**  
USPC ..... D21/419, 421, 423, 432, 435, 760, 765,  
D21/771; D12/1, 110, 111, 112  
CPC ..... B62K 3/002; B62K 9/00; B62K 2202/00;  
B60Y 2200/126  
See application file for complete search history.

(56) **References Cited**

**U.S. PATENT DOCUMENTS**

D466,839 S *	12/2002	Ou	.....	D12/110
D503,362 S *	3/2005	Zhu	.....	D12/111
D726,592 S *	4/2015	Zhang	.....	B62K 15/006
				D12/107
D735,812 S *	8/2015	Delgatty	.....	D21/423
D735,813 S *	8/2015	Delgatty	.....	D21/423
D746,924 S *	1/2016	Delgatty	.....	D21/423
D750,711 S *	3/2016	Delgatty	.....	D21/423
D774,979 S *	12/2016	Delgatty	.....	D12/111

(Continued)

**OTHER PUBLICATIONS**

The Uber Scooter Plus—The Electric Foldable Scooter, Date First Available Jan. 16, 2018, [online], [site visited Dec. 4, 2021].

Available from Internet: <URL:https://www.amazon.com/UBERSCOOTER-Uber-Scooter-Plus-Electric/dp/B0792S9ZGC/> (Year: 2018).\*

(Continued)

*Primary Examiner* — Cynthia M. Chin  
(74) *Attorney, Agent, or Firm* — John D. Tran; Rhema Law Group

(57) **CLAIM**

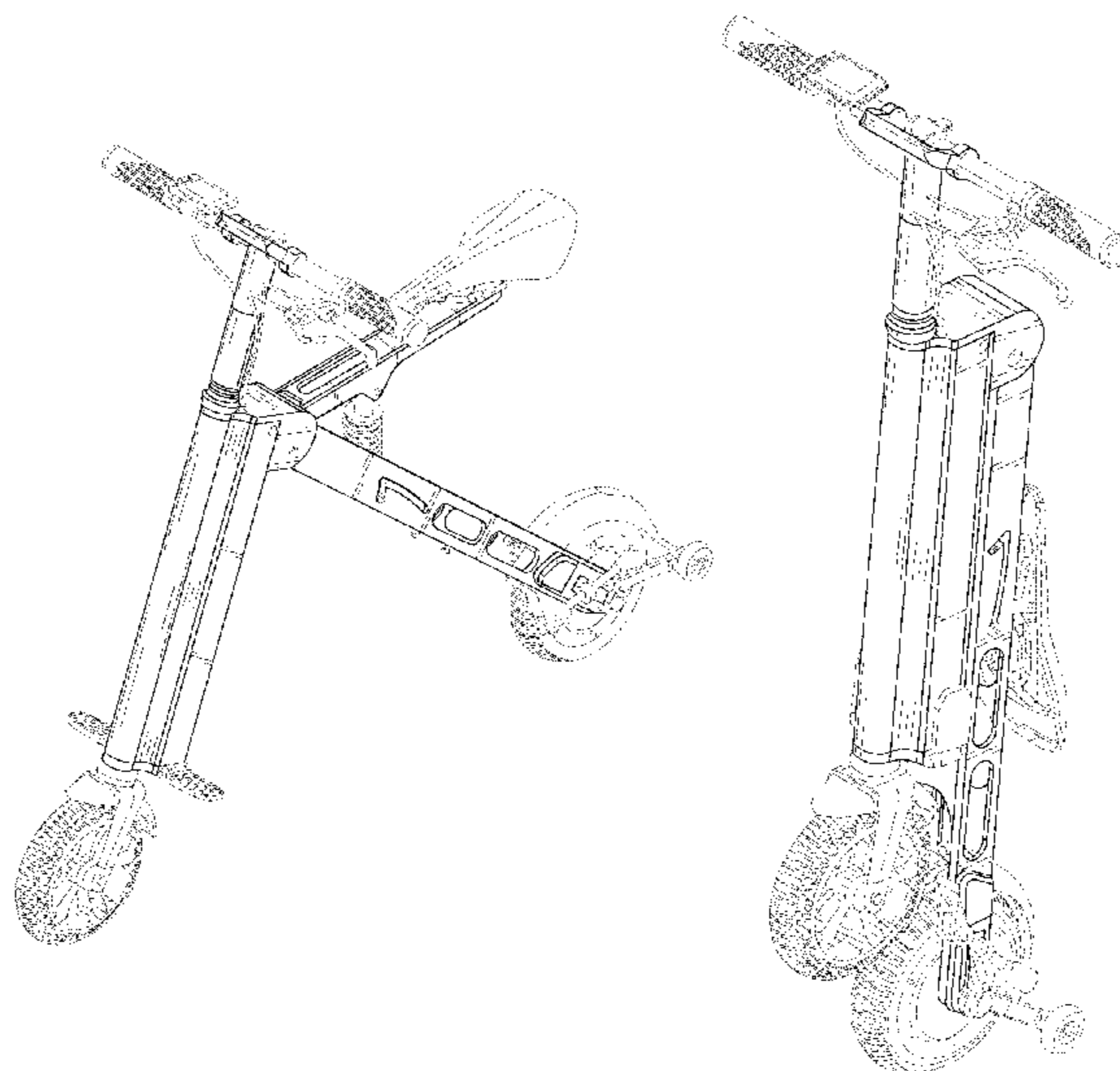
The ornamental design for an electric scooter, as shown and described.

**DESCRIPTION**

FIG. 1 is a perspective front view for an electric scooter; FIG. 2 is a perspective back view thereof; FIG. 3 is a top view thereof; FIG. 4 is a front view thereof; FIG. 5 is a left side view thereof; FIG. 6 is a back view thereof; FIG. 7 is a right view thereof; FIG. 8 is a bottom view thereof; FIG. 9 is a perspective front view for an electric scooter in a folded configuration; FIG. 10 is a perspective back view for an electric scooter in a configuration; FIG. 11 is a front view for an electric scooter in a folded configuration; FIG. 12 is a left side view for an electric scooter in a folded configuration; FIG. 13 is a back view for an electric scooter in a folded configuration; FIG. 14 is a right side view for an electric scooter in a folded configuration; and, FIG. 15 is a perspective top-down view for an electric scooter in a folded configuration.

The broken lines are for the purpose of illustrating portions of the electric scooter that form no part of the claimed design.

**1 Claim, 15 Drawing Sheets**





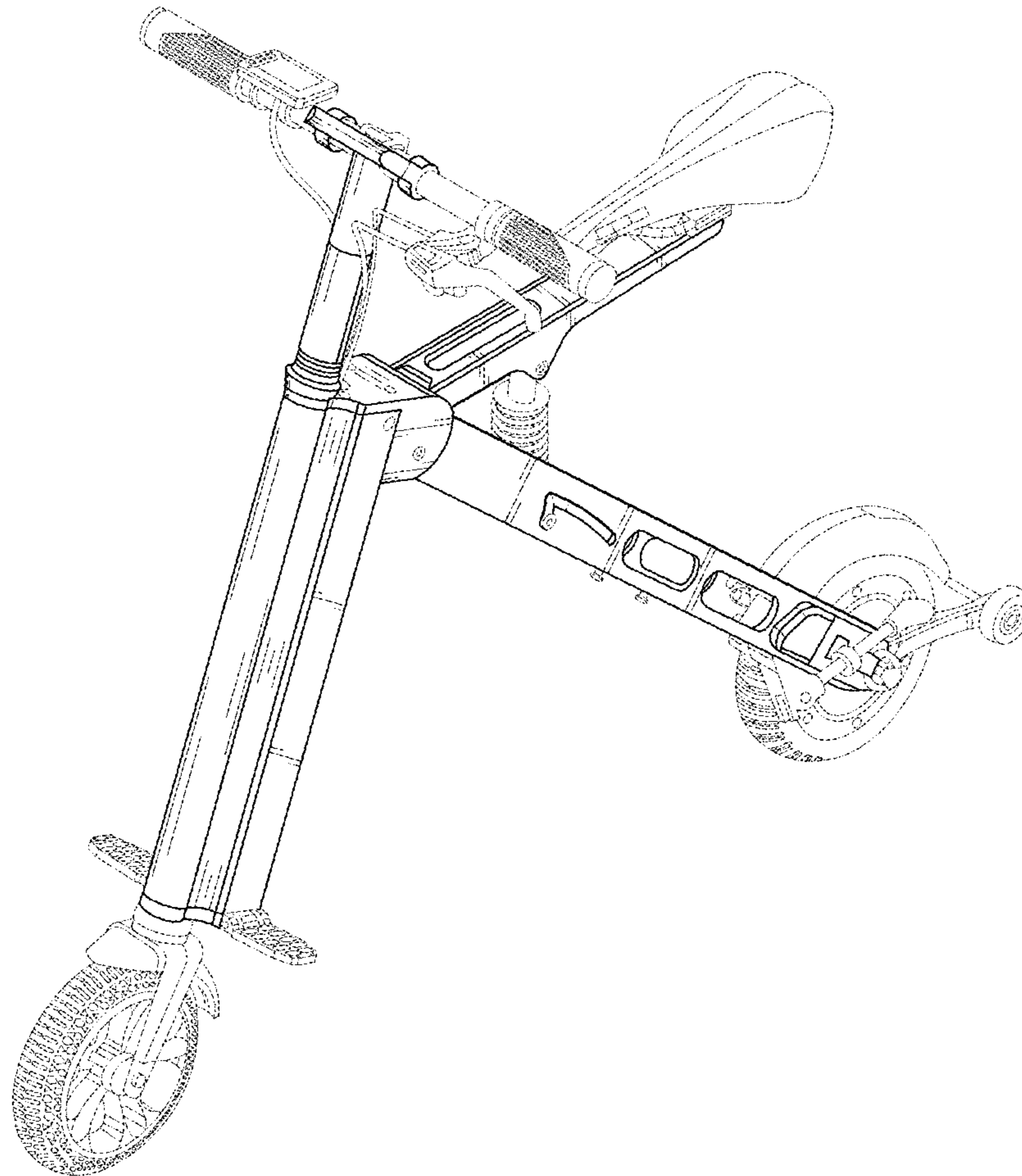


FIG. 1

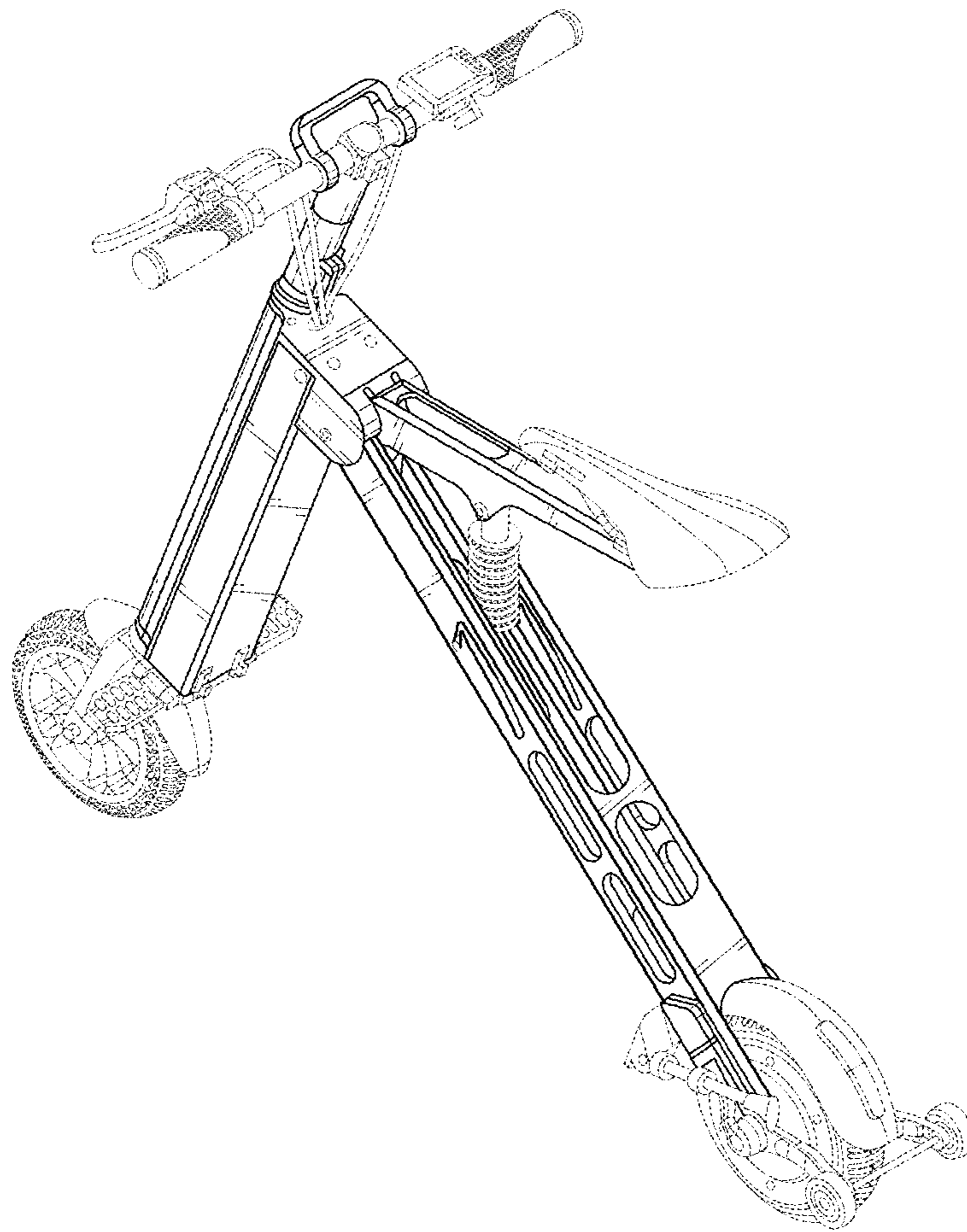


FIG. 2

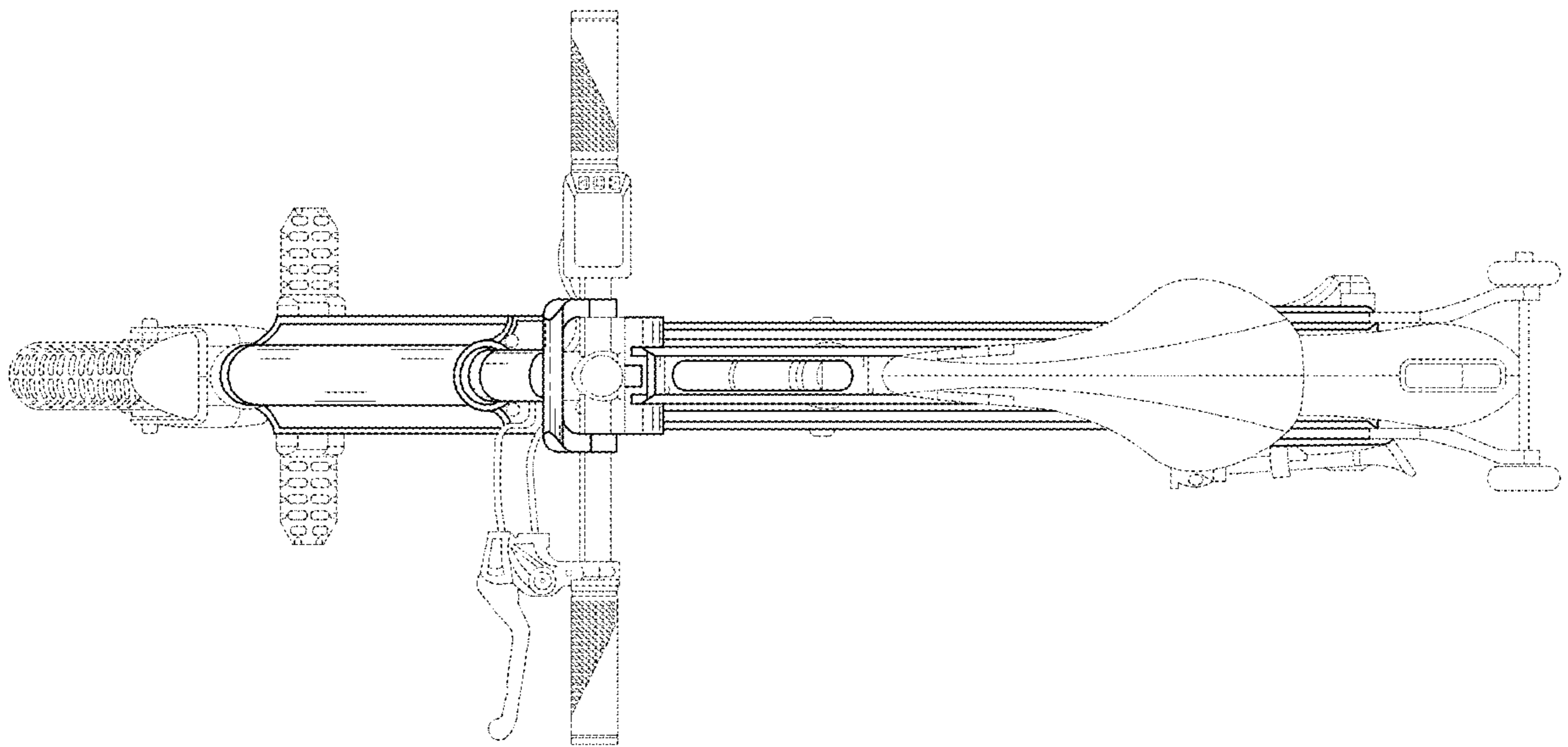


FIG. 3

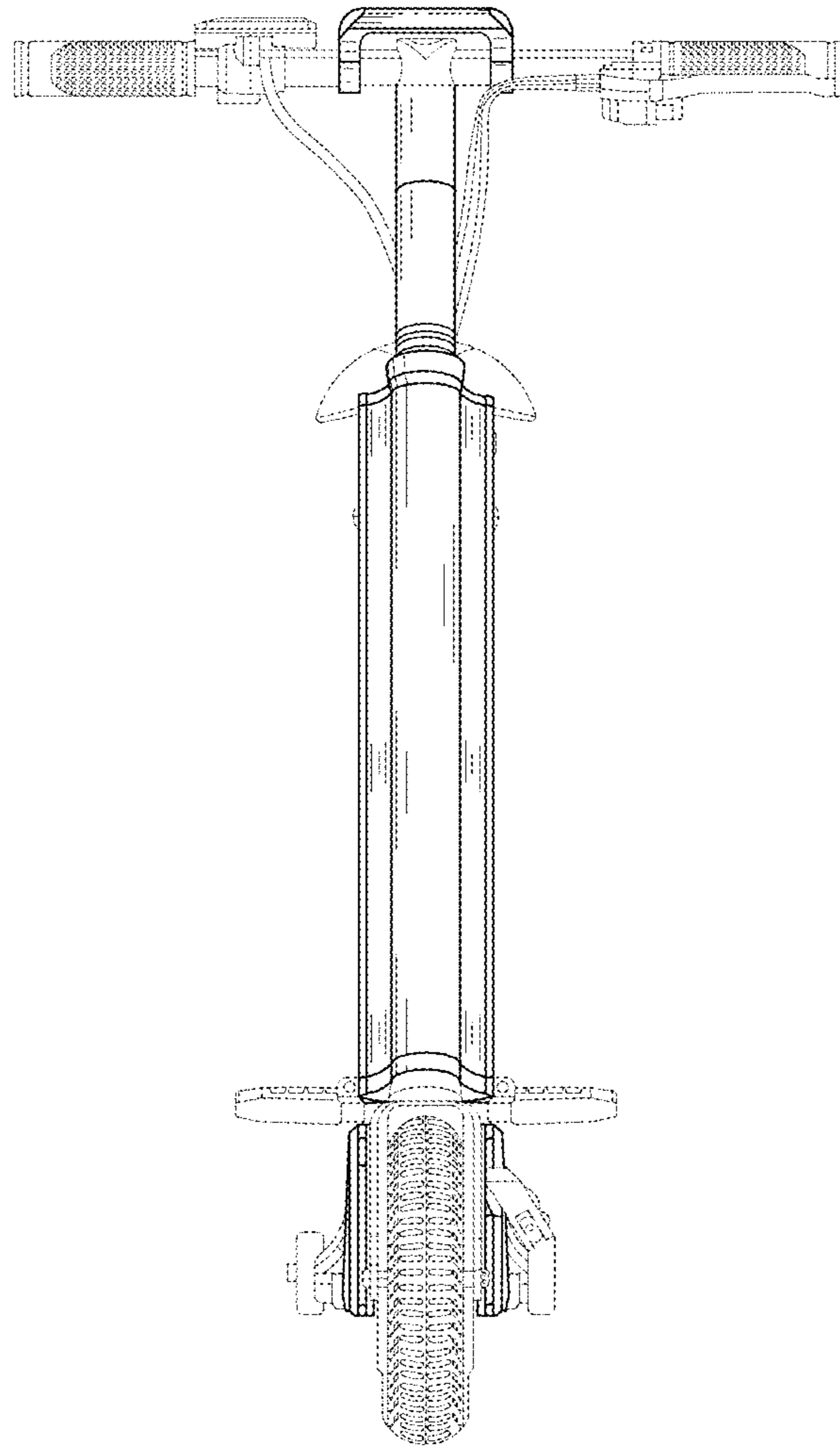


FIG. 4

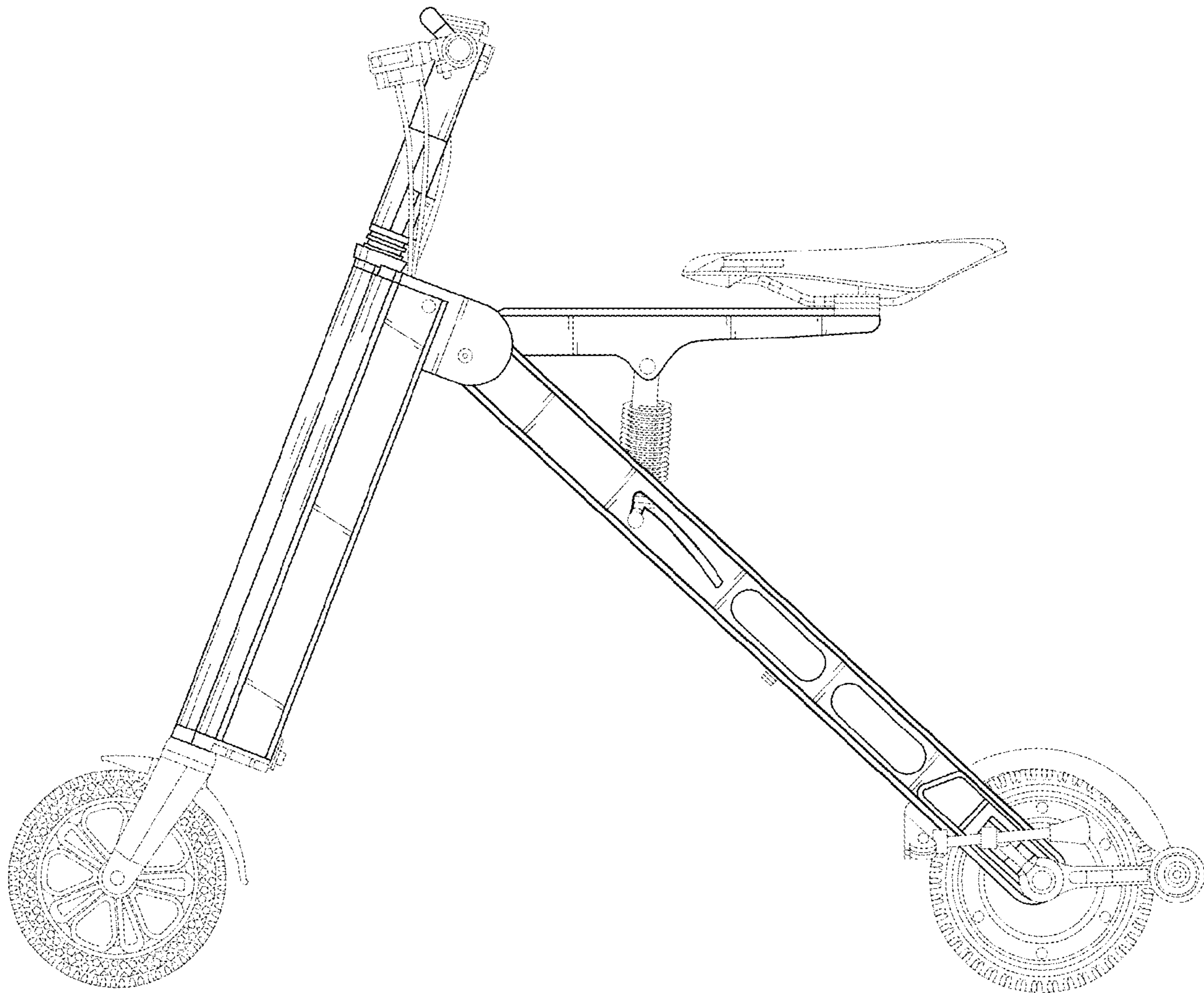


FIG. 5

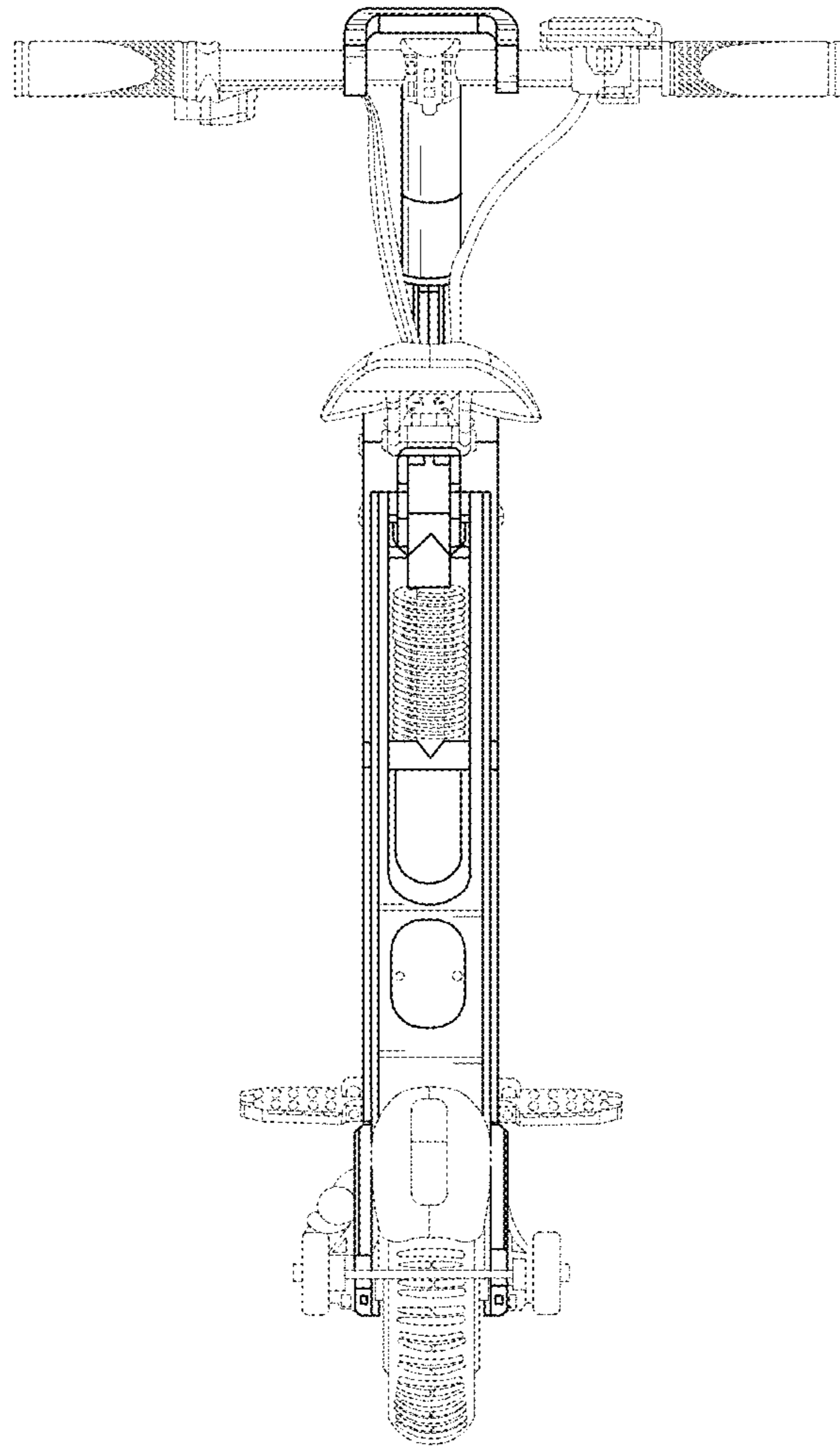


FIG. 6



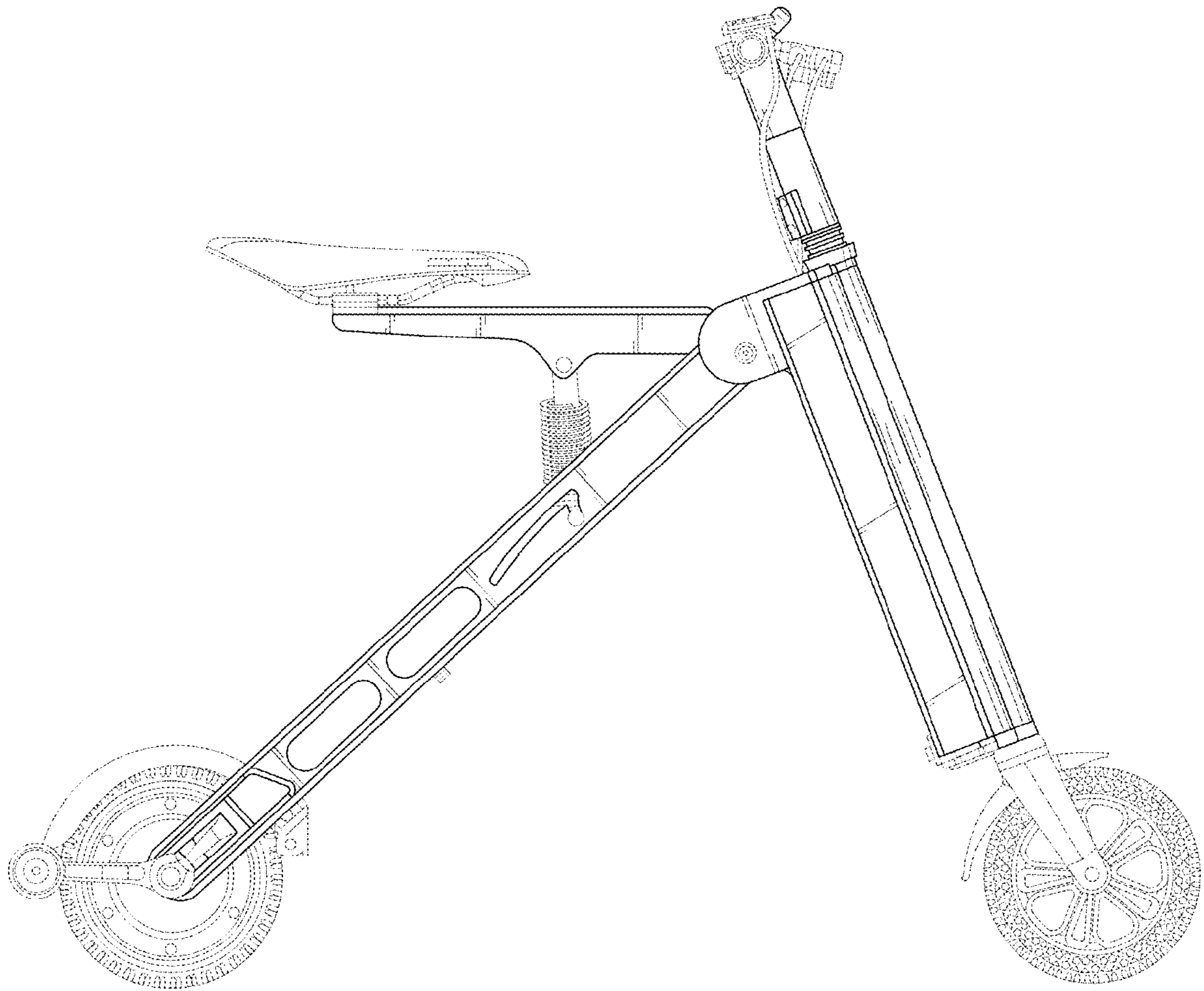


FIG. 7

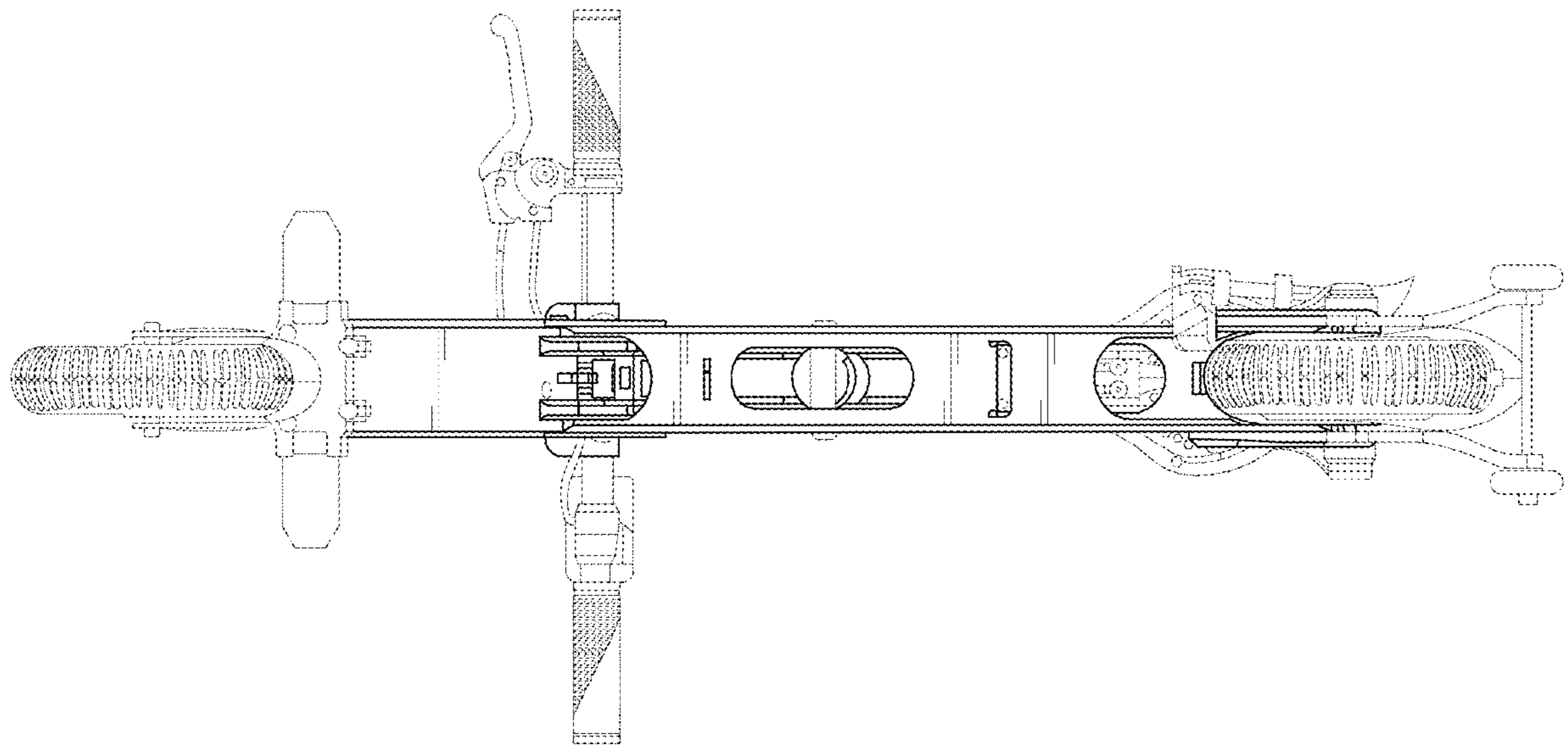


FIG. 8

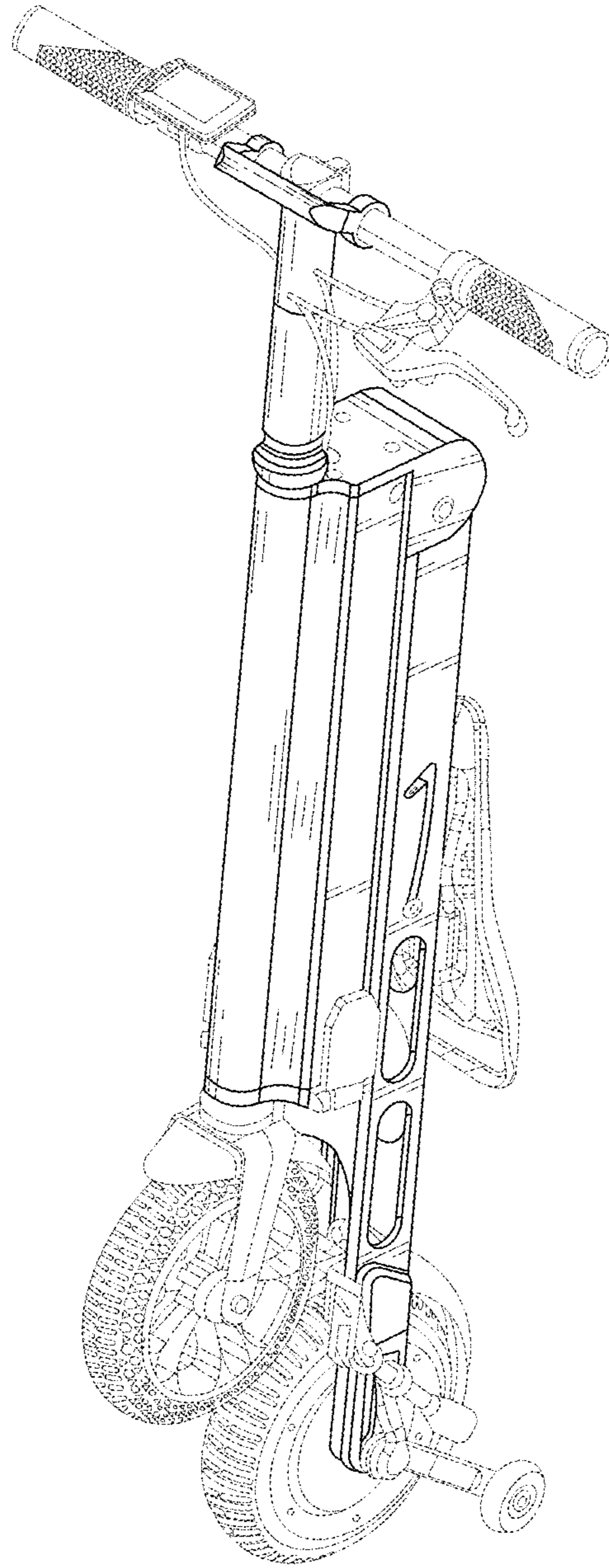


FIG. 9



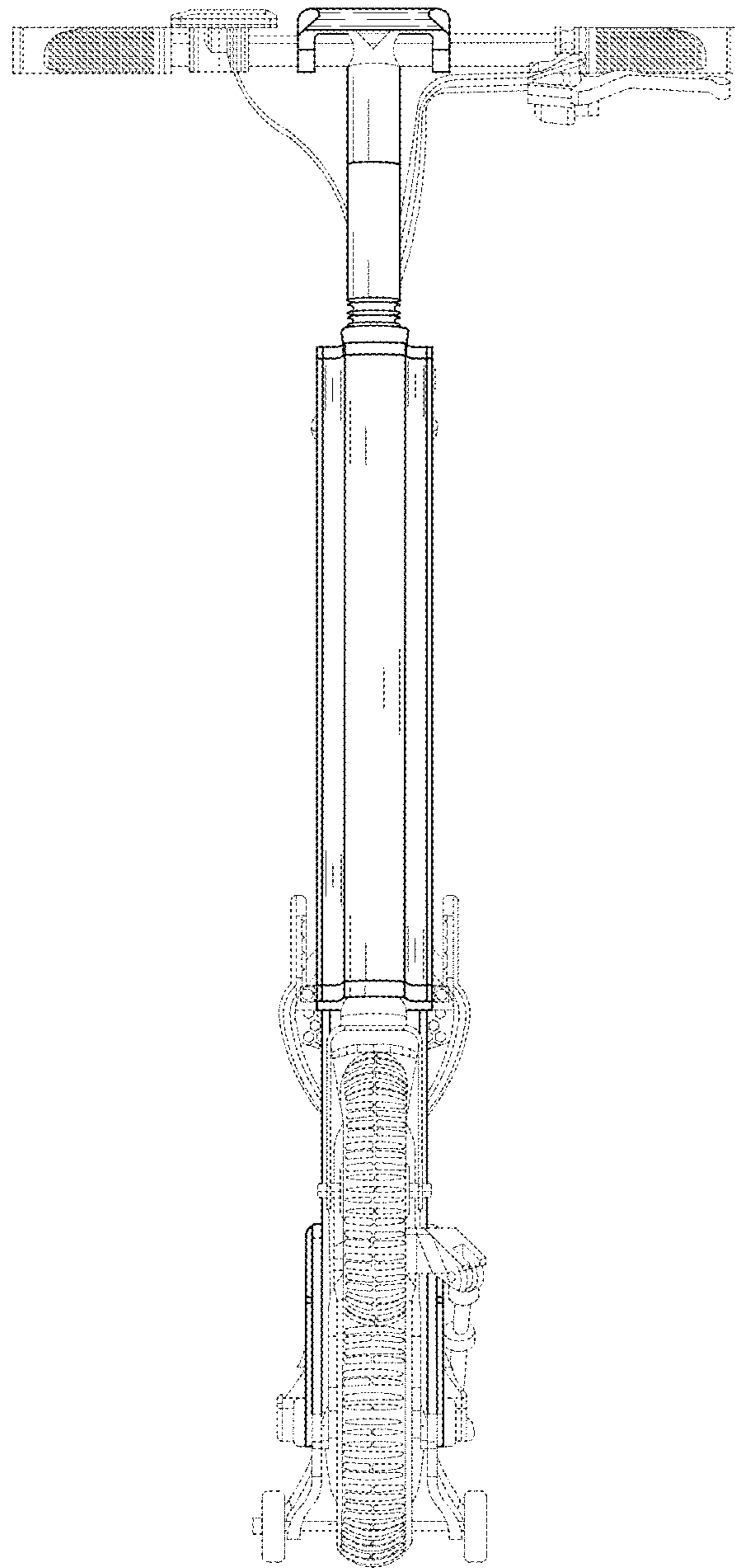


FIG. 11

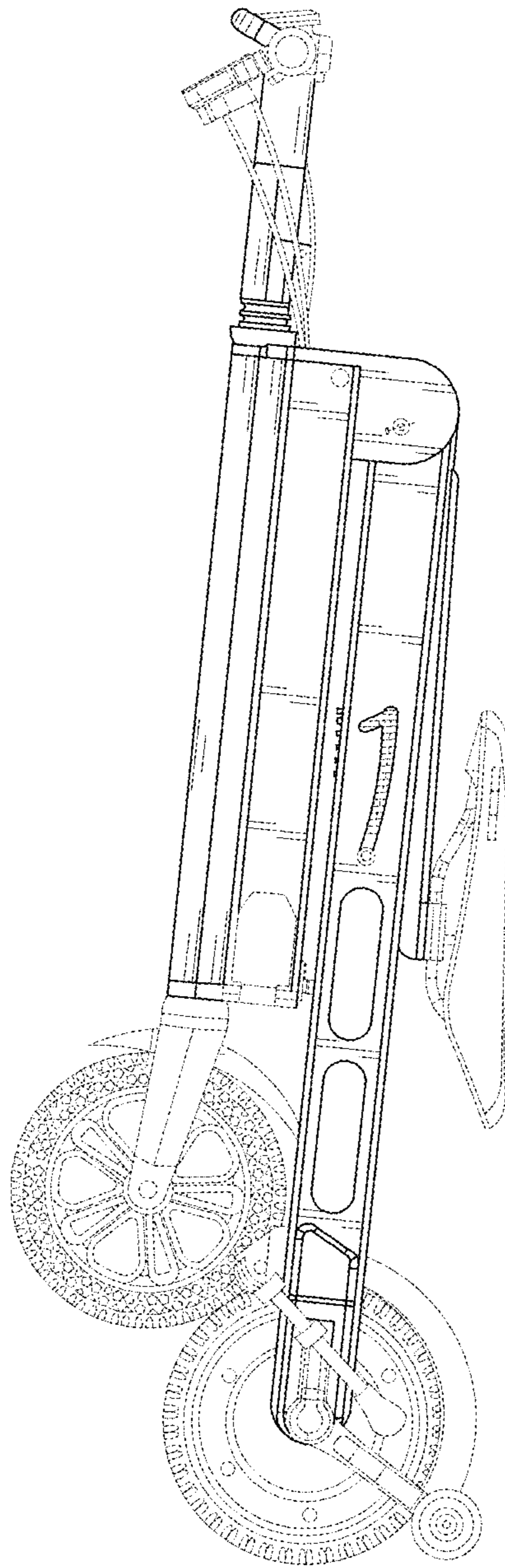


FIG. 12

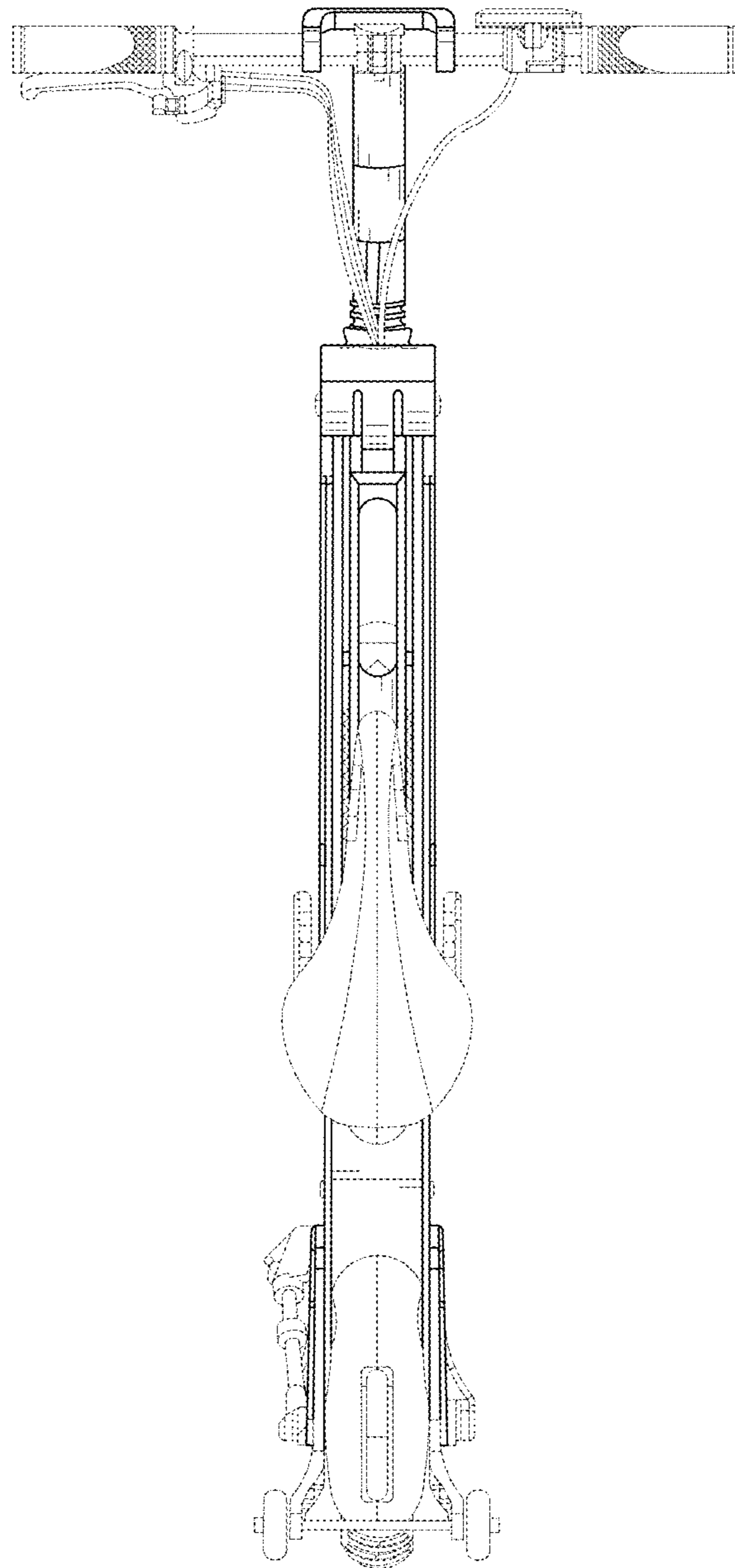


FIG. 13

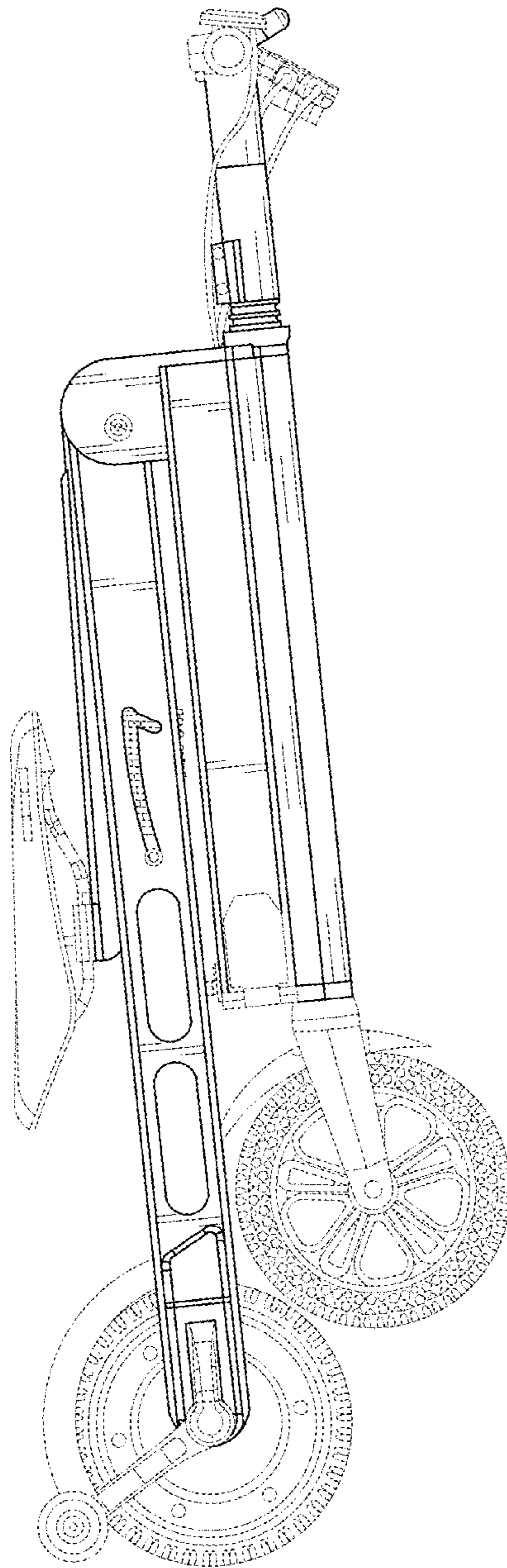


FIG. 14



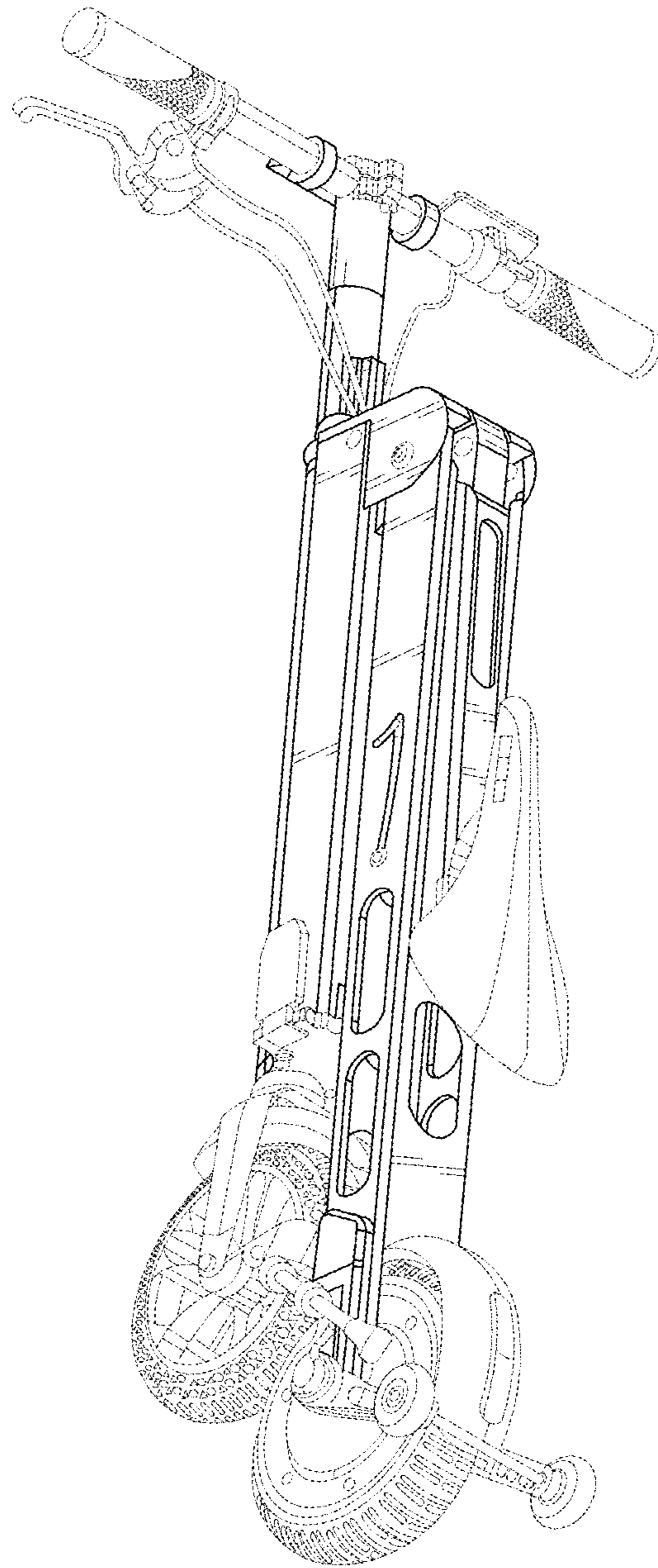


FIG. 15