



US00D947287S

(12) **United States Design Patent**
McLean et al.

(10) **Patent No.:** **US D947,287 S**
(45) **Date of Patent:** **** Mar. 29, 2022**

(54) **THREE-WHEEL SCOOTER**
(71) Applicant: **ROLLO MOTION, INC.**, Pasadena, CA (US)
(72) Inventors: **Ryan McLean**, Pasadena, CA (US); **Gregg Luconi**, Monrovia, CA (US); **William Tod Gross**, Pasadena, CA (US)
(73) Assignee: **Ryan McLean**, Pasadena, CA (US)

(**) Term: **15 Years**

(21) Appl. No.: **29/722,701**

(22) Filed: **Jan. 31, 2020**

(51) **LOC (13) Cl.** **21-01**

(52) **U.S. Cl.**
USPC **D21/423**

(58) **Field of Classification Search**
USPC D21/419, 421, 423, 432, 435, 760, 763, D21/765, 771; D12/1, 110
CPC B62K 3/002; B62K 9/00; B62K 2202/00; B62K 15/00; B62K 2015/001; B62K 2015/003; B60Y 2200/126
See application file for complete search history.

(56) **References Cited**

U.S. PATENT DOCUMENTS

3,212,791 A * 10/1965 Edwins B62K 11/06 280/275
3,746,118 A 7/1973 Altorfer
5,775,452 A 7/1998 Patmont
9,126,497 B2 9/2015 Heinzmann et al.
D766,131 S 9/2016 Harding et al.

D798,959 S * 10/2017 Le D21/423
D803,948 S * 11/2017 Chis D21/423
D814,978 S * 4/2018 Niu D12/110
D830,911 S * 10/2018 Li D12/110
D832,931 S * 11/2018 Gudushauri D21/423
D846,031 S * 4/2019 Droge D21/423
D892,937 S * 8/2020 Chis D21/423
10,780,938 B1 * 9/2020 Van Houten B62J 99/00
D900,238 S * 10/2020 Van Houten D21/423
D900,239 S * 10/2020 Van Houten D21/423
D900,240 S * 10/2020 Van Houten D21/423
2006/0170171 A1 8/2006 Pedersen
2019/0382072 A1 * 12/2019 Allen A63C 17/265

* cited by examiner

Primary Examiner — Cynthia M. Chin

(74) *Attorney, Agent, or Firm* — Dierker & Kavanaugh, P.C.

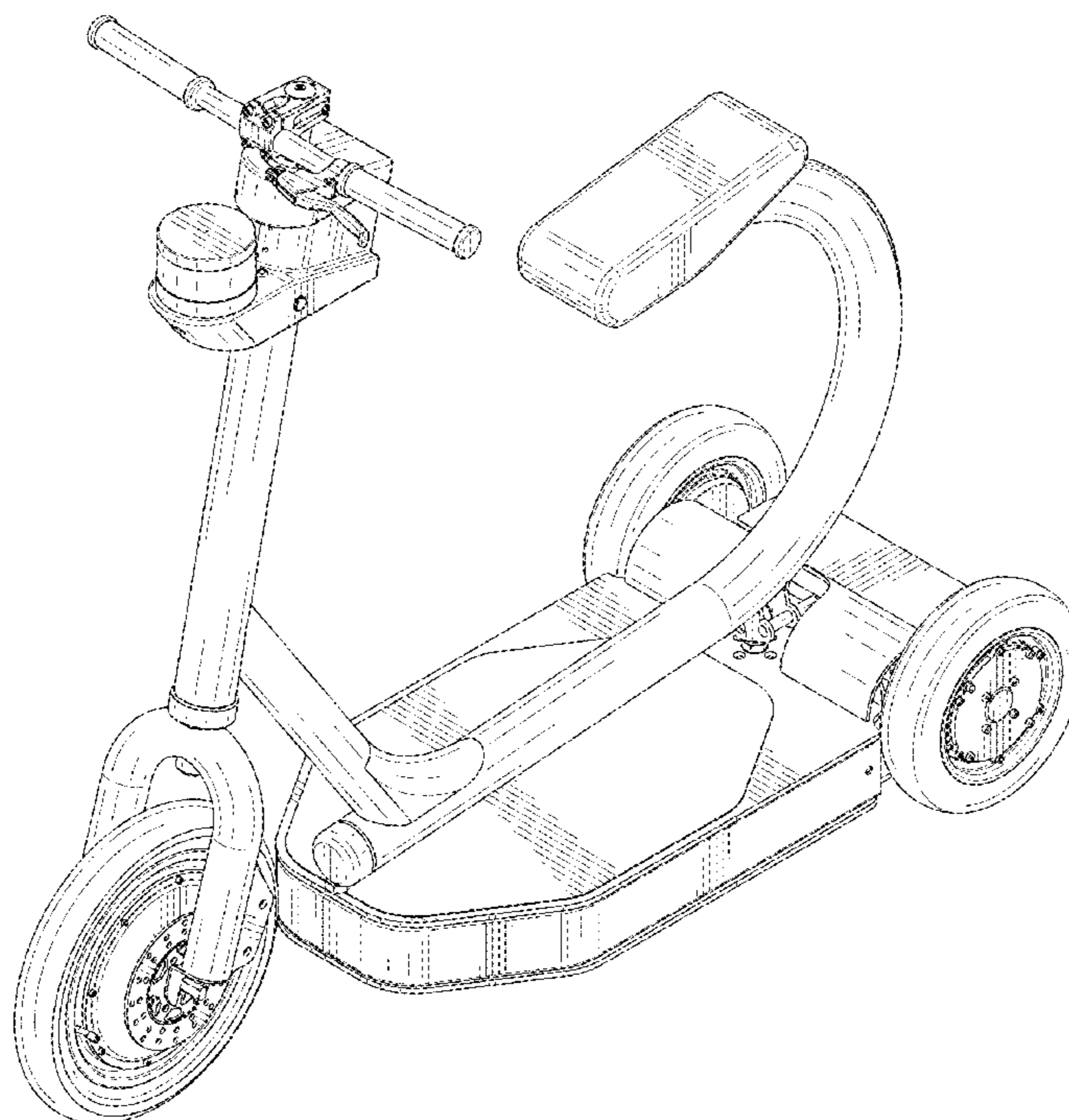
(57) **CLAIM**

The ornamental design for a three-wheel scooter, as shown and described.

DESCRIPTION

FIG. 1 is a top perspective view of a three-wheel scooter in accordance with the present disclosure.
FIG. 2 is a bottom perspective view thereof.
FIG. 3 is a front view thereof.
FIG. 4 is a first side view thereof.
FIG. 5 is a back view thereof.
FIG. 6 is a second side view thereof.
FIG. 7 is a top view thereof; and,
FIG. 8 is a bottom view thereof.
The broken lines are for the purpose of illustrating portions of the article that form no part of the claimed design.

1 Claim, 8 Drawing Sheets



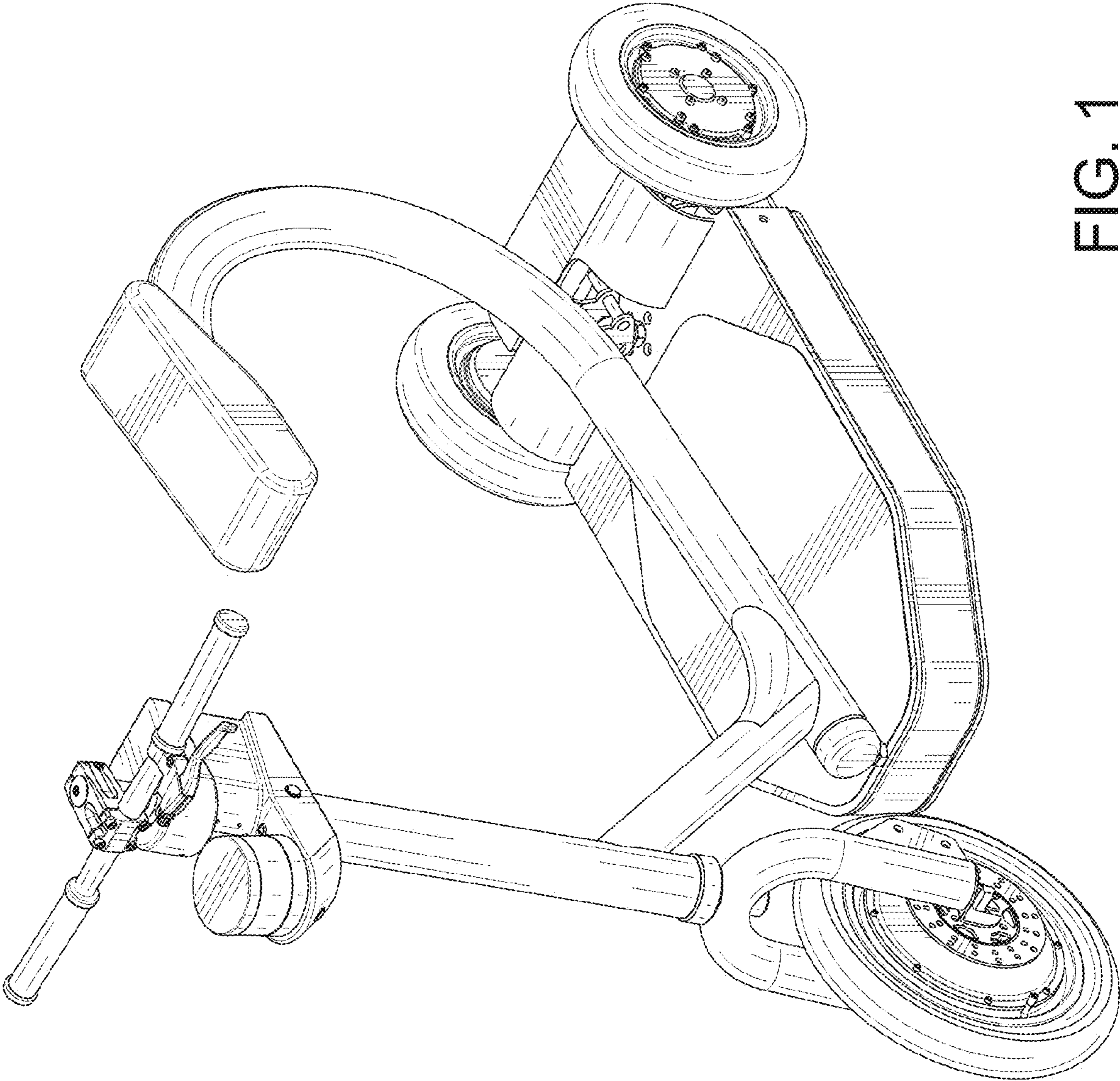


FIG. 1

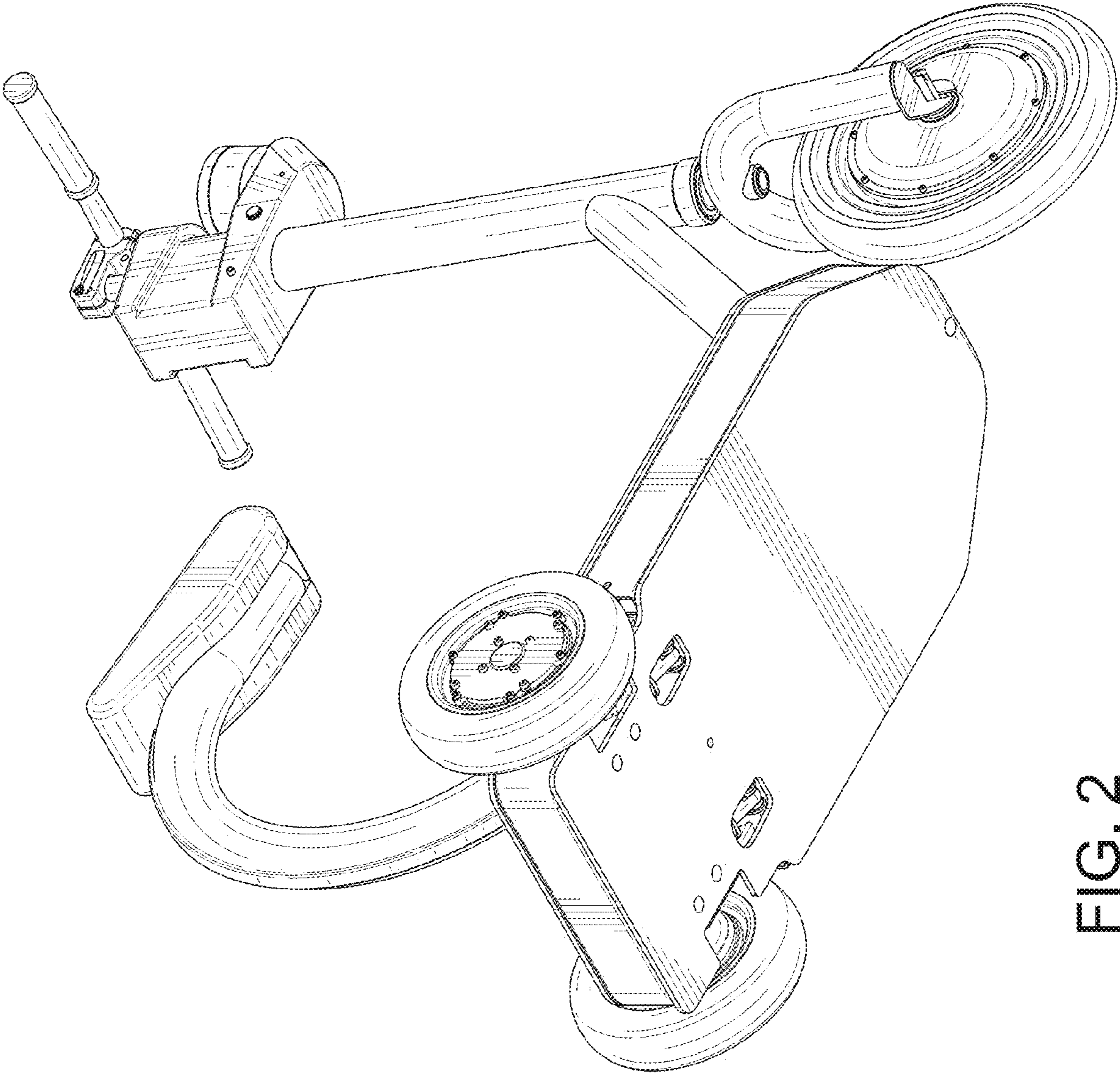


FIG. 2

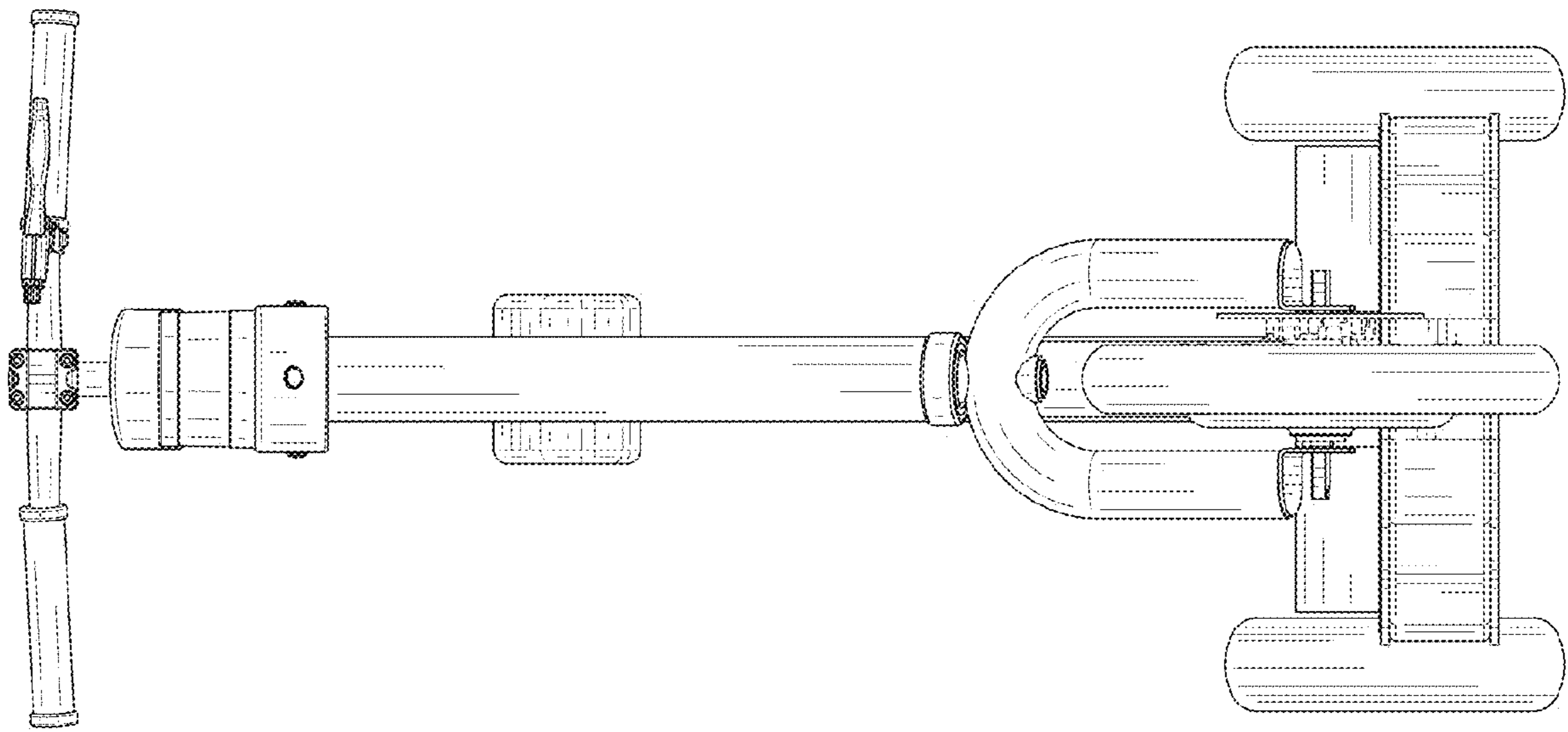


FIG. 3

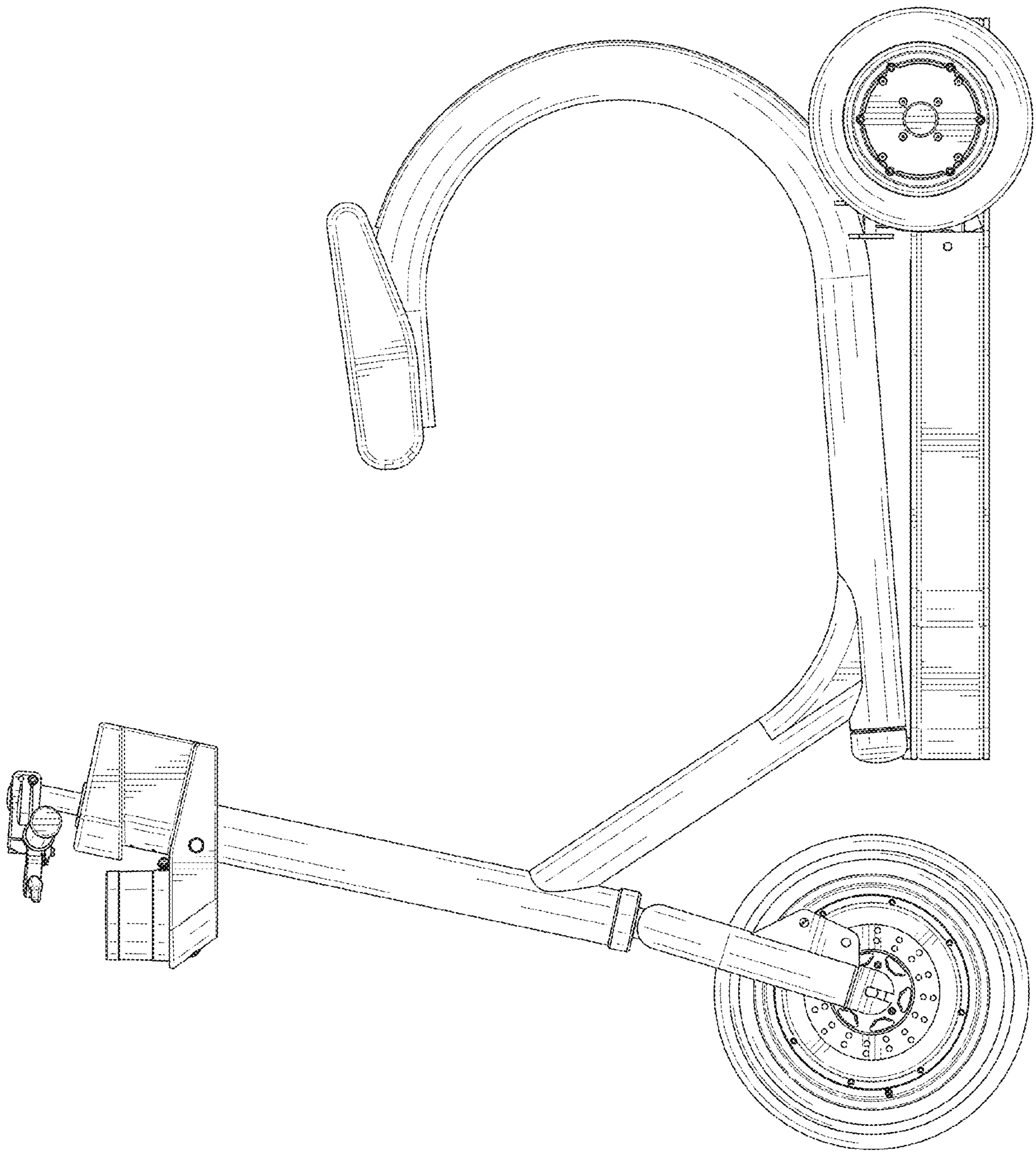


FIG. 4

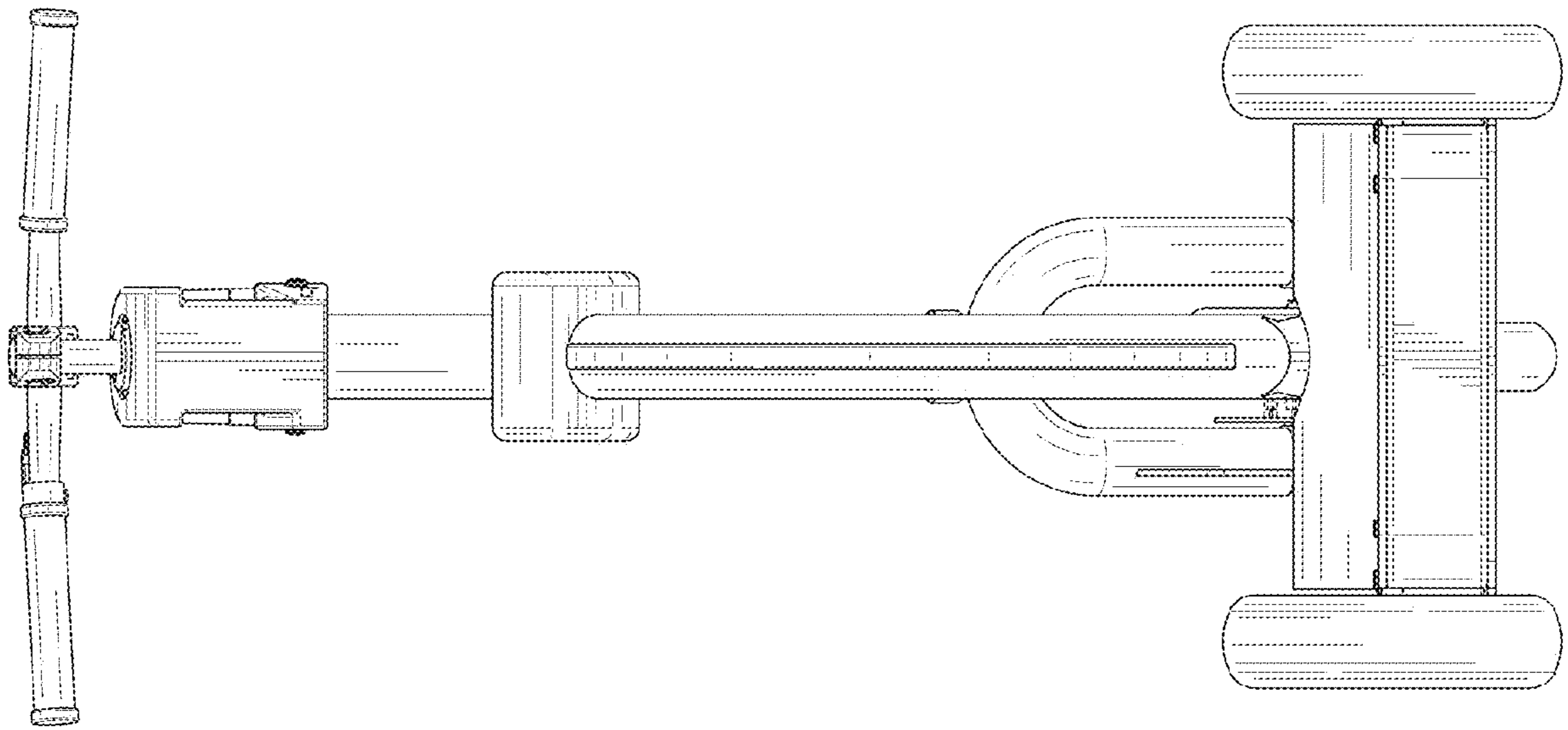


FIG. 5

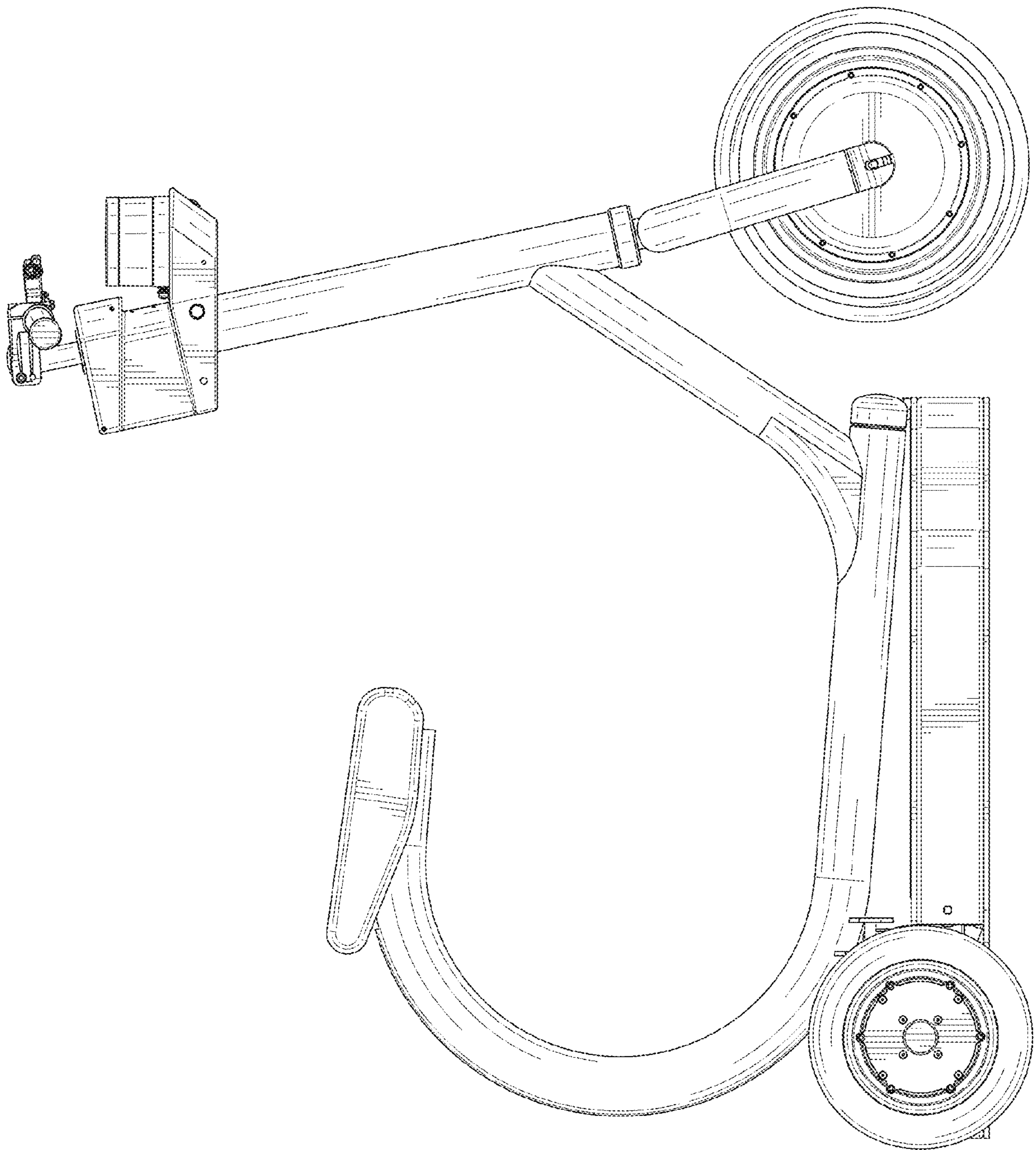


FIG. 6

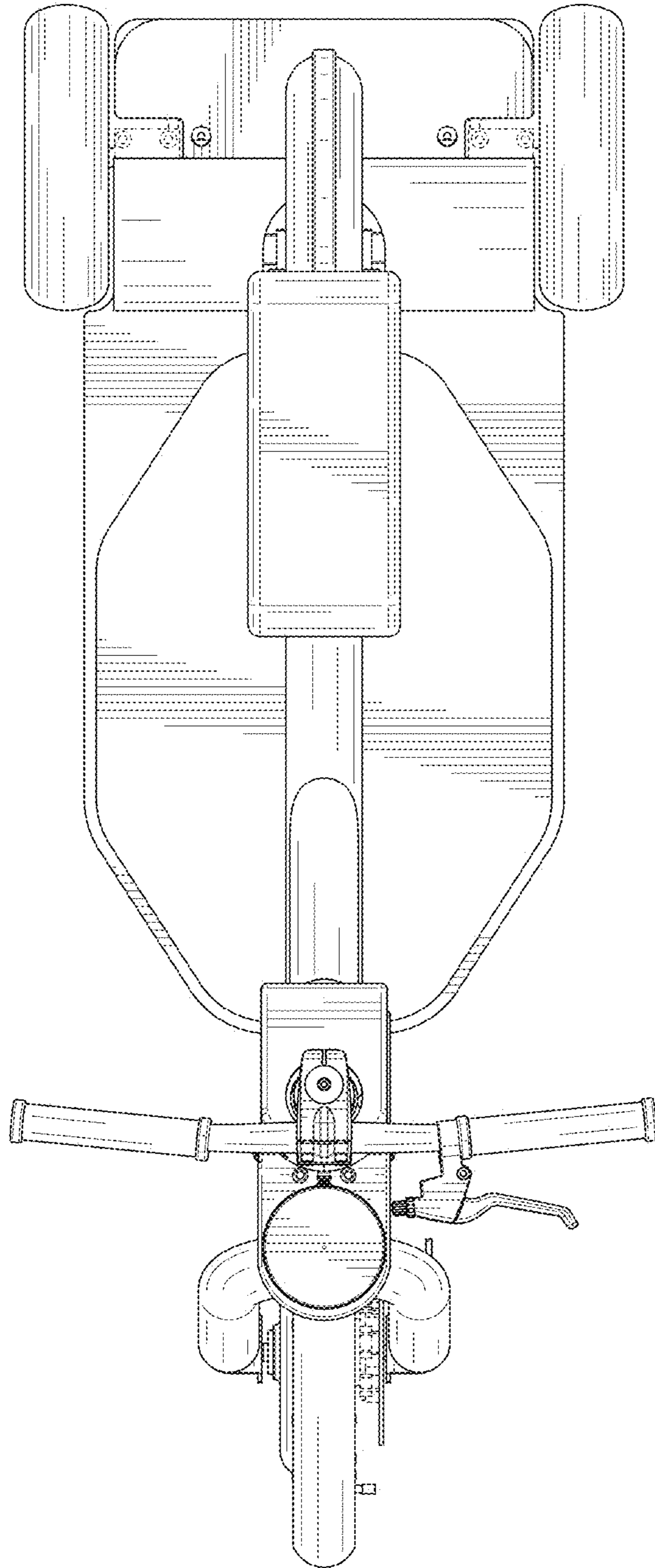


FIG. 7

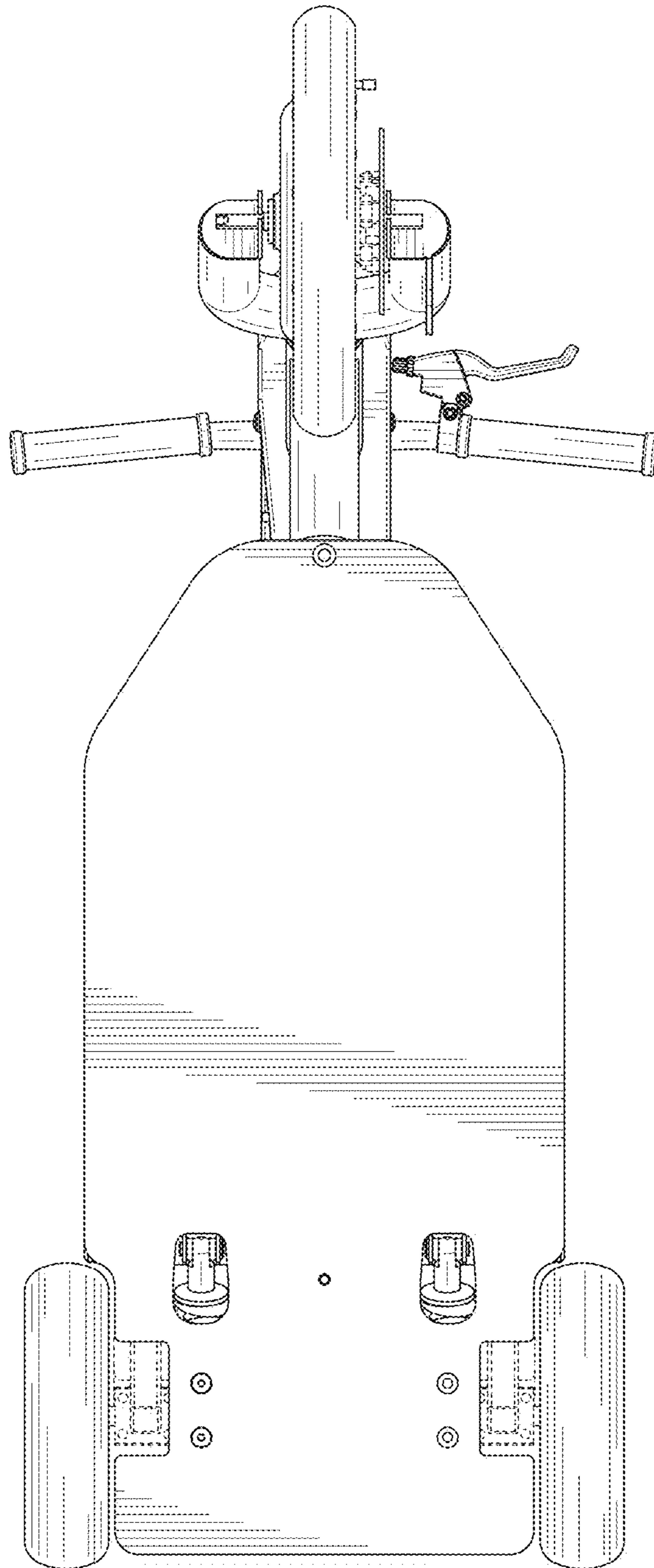


FIG. 8