



US00D947284S

(12) **United States Design Patent** (10) **Patent No.:** **US D947,284 S**  
**Wooters** (45) **Date of Patent:** **\*\* Mar. 29, 2022**

(54) **PEN GRIP**  
(71) Applicant: **CKW Ventures LLC**, Chicago, IL (US)  
(72) Inventor: **Chad William Wooters**, Chicago, IL (US)  
(\*\*) Term: **15 Years**  
(21) Appl. No.: **29/724,859**  
(22) Filed: **Feb. 19, 2020**  
(51) **LOC (13) Cl.** ..... **19-06**  
(52) **U.S. Cl.**  
USPC ..... **D19/203**  
(58) **Field of Classification Search**  
USPC ..... D19/115-204; D14/411; D9/504, 529;  
D28/76, 88  
CPC . B43K 5/005; B43K 7/12; B43K 8/00; B43K  
8/02; B43K 8/04; B43K 8/06; B43K  
21/003; B43K 21/006; B43K 21/06;  
B43K 23/00  
See application file for complete search history.

(56) **References Cited**

U.S. PATENT DOCUMENTS

D10,284 S \* 10/1877 Kaldenberg ..... D3/12  
1,576,677 A \* 3/1926 Scheibeler ..... E21B 17/0426  
403/305  
2,158,728 A \* 5/1939 Peters ..... B25G 1/00  
279/102  
D144,161 S \* 3/1946 Deree et al. .... D19/186  
2,507,167 A \* 5/1950 Lemmerman ..... B25B 15/06  
173/93.7  
D177,745 S \* 5/1956 Moody ..... D8/82  
D196,074 S \* 8/1963 Collier ..... D8/82  
D253,030 S \* 10/1979 Breger ..... D8/83  
D304,858 S \* 11/1989 Tofft ..... D24/147  
D306,420 S \* 3/1990 Robinson ..... D12/607  
4,964,192 A \* 10/1990 Marui ..... B62K 21/26  
16/421

D323,280 S \* 1/1992 Chen ..... 74/551.9  
5,244,783 A \* 9/1993 Chang ..... G03C 1/07  
430/567  
5,245,749 A \* 9/1993 Couch, Jr. .... H01R 43/033  
140/124  
D342,968 S \* 1/1994 Meinke ..... 401/35  
5,630,687 A \* 5/1997 Robinson ..... F16K 27/08  
411/372.6  
D416,464 S \* 11/1999 Eason ..... D8/300  
D416,689 S \* 11/1999 Camp, Jr. .... D32/51  
6,176,255 B1 \* 1/2001 Robinson ..... F16B 37/14  
137/327  
D519,361 S \* 4/2006 Olander ..... D8/397  
D538,340 S \* 3/2007 Derman ..... D19/156  
D596,771 S \* 7/2009 Lee ..... D26/46  
D669,330 S \* 10/2012 Wood ..... D8/82

(Continued)

OTHER PUBLICATIONS

Thixotropic Super Big Fat Pens, Hexagonal Silicoe Grip, Item #: 28445276, VND402917, Manufacturer: CKW Ventures LLC, online on ubuy.vn, earliest review by Di . . . ne on Nov. 20, 2020.\*

(Continued)

Primary Examiner — Elizabeth A. Albert

(74) Attorney, Agent, or Firm — Ellenoff Grossman & Schole LLP; James M. Smedley; Alex Korona

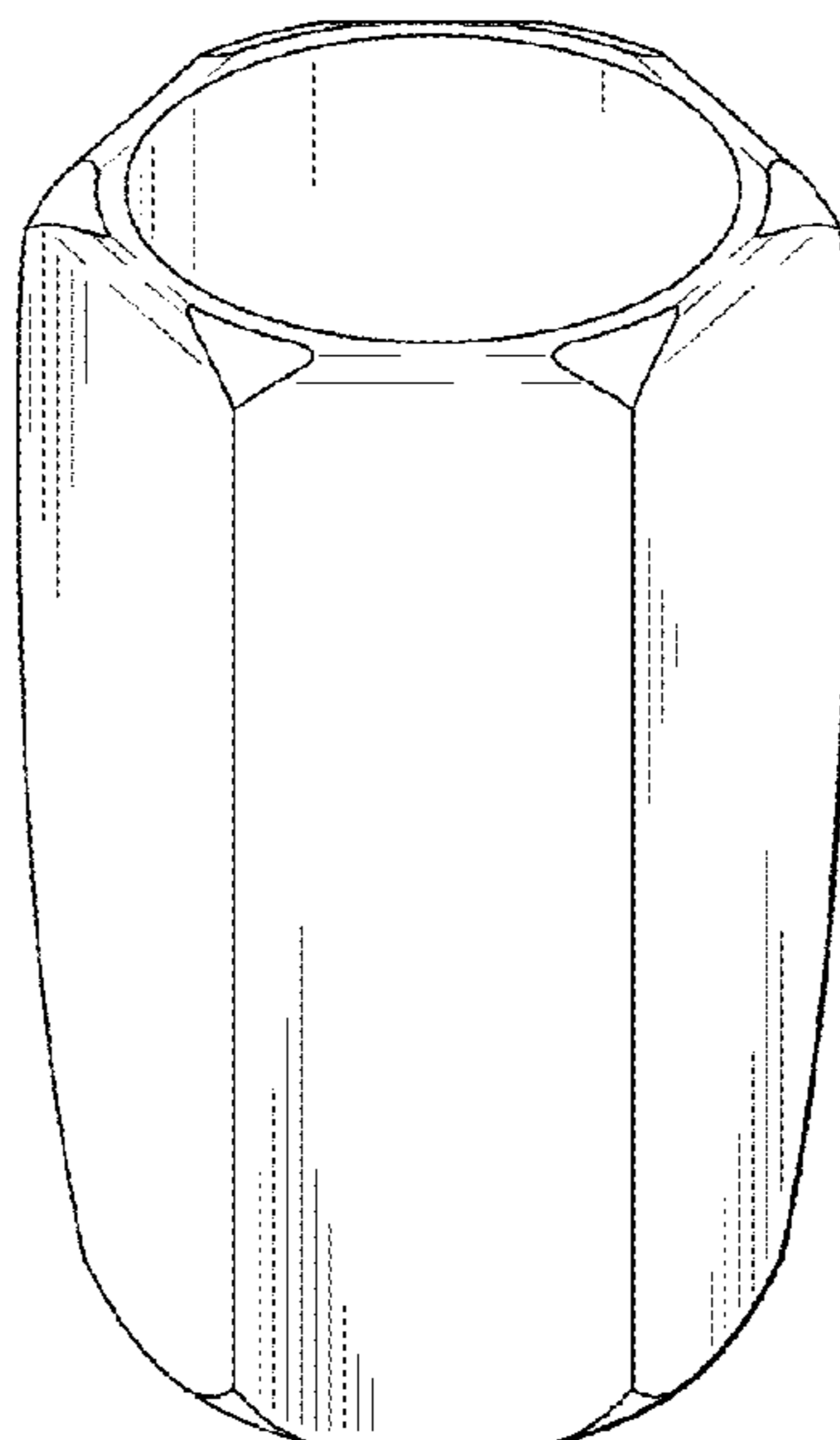
(57) **CLAIM**

I claim the ornamental design for a pen grip, as shown and described.

**DESCRIPTION**

FIG. 1 is view showing the rear end of the new design.  
FIG. 2 is view showing the front end thereof.  
FIG. 3 is a side view thereof.  
FIG. 4 is another side view thereof.  
FIG. 5 is a top plan view thereof; and,  
FIG. 6 is a bottom plan view thereof.

**1 Claim, 3 Drawing Sheets**



(56)

**References Cited**

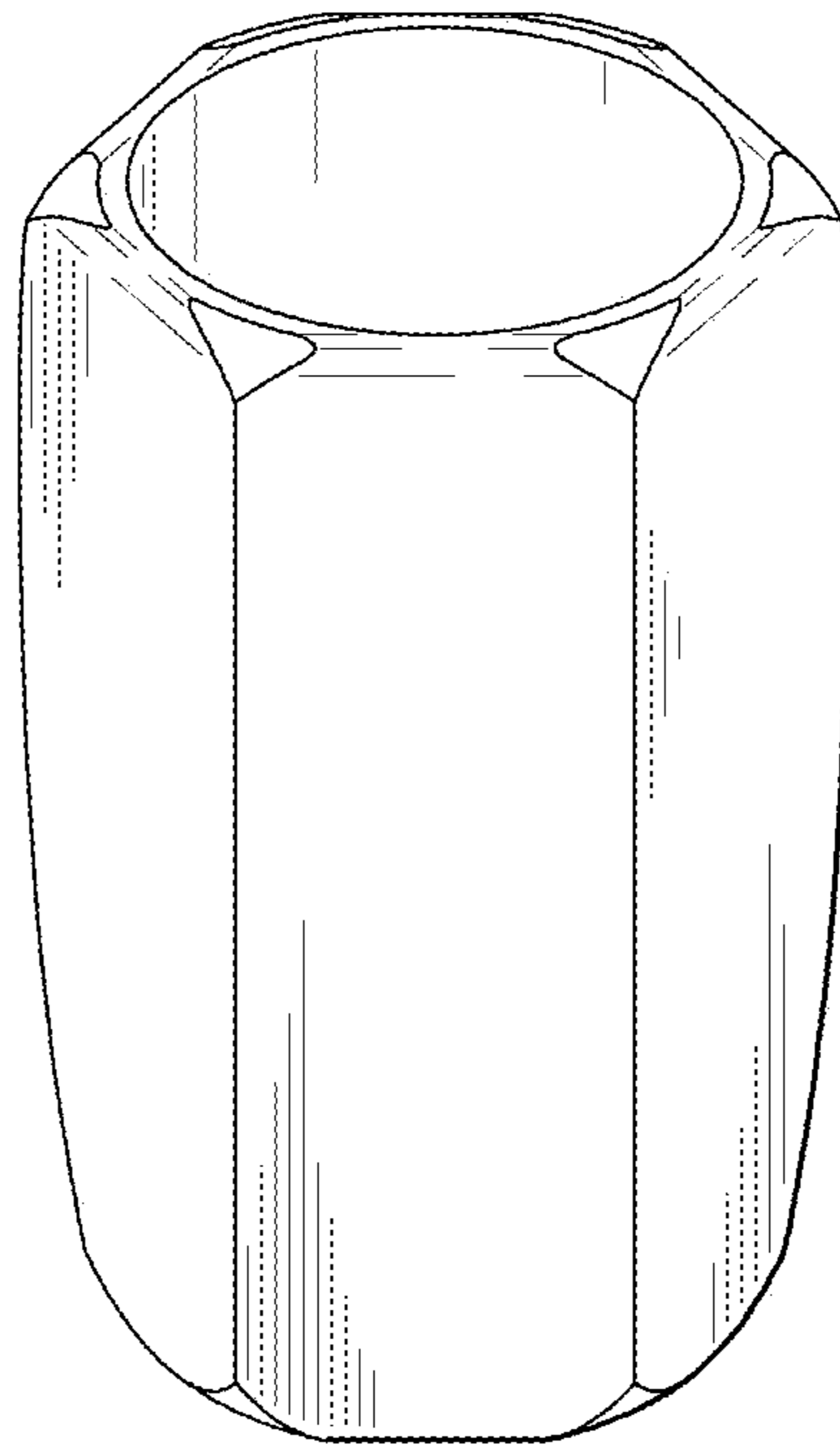
U.S. PATENT DOCUMENTS

D706,870 S \* 6/2014 Pookrum ..... D19/203  
D767,350 S \* 9/2016 Bober ..... D8/14  
D807,138 S \* 1/2018 Rinner ..... D8/83  
D840,031 S \* 2/2019 Teufel ..... D24/140  
D840,786 S \* 2/2019 Gooden ..... D8/339  
D856,425 S \* 8/2019 Solola ..... D19/203  
D928,315 S \* 8/2021 Morrison ..... D24/133

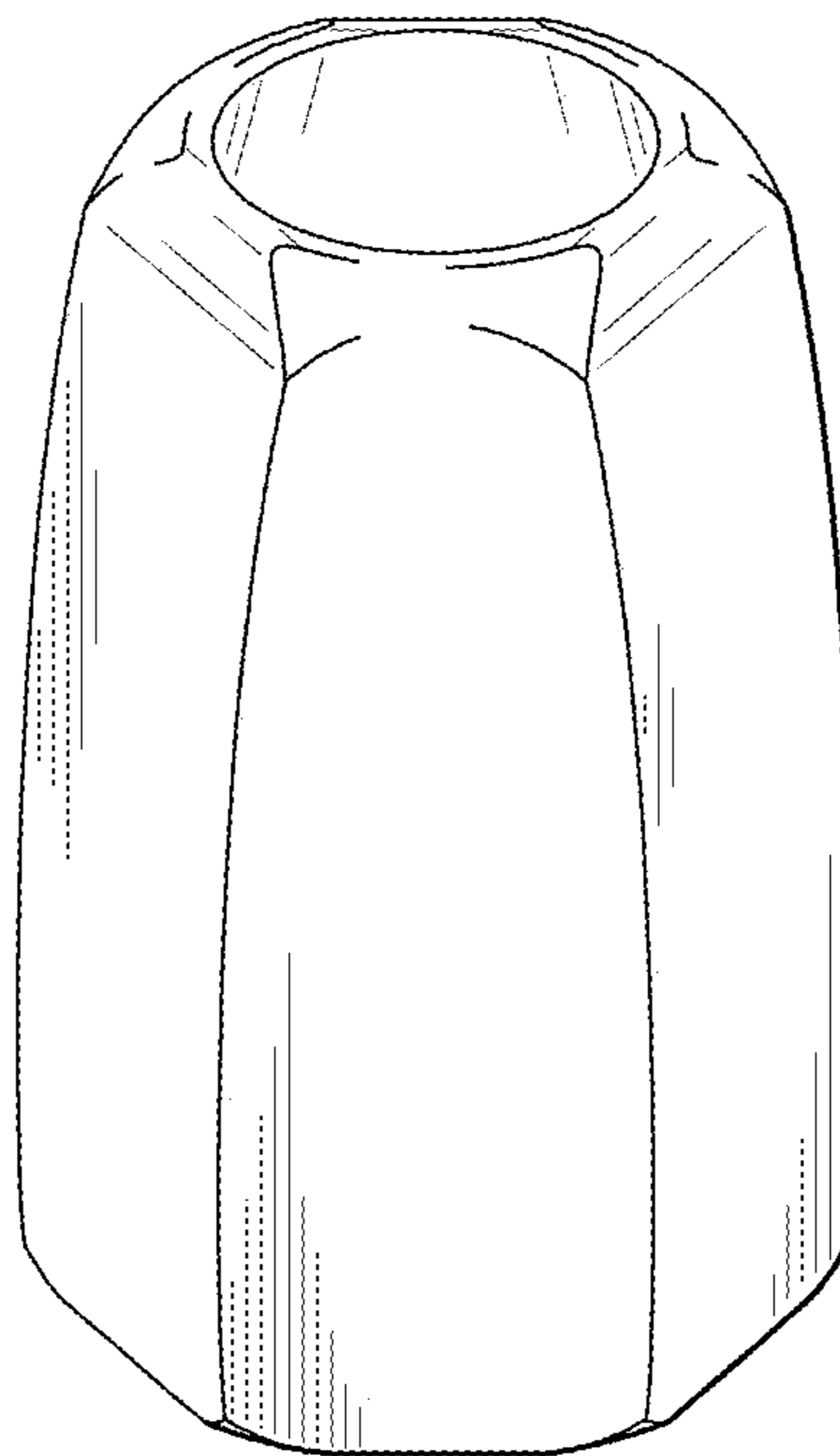
OTHER PUBLICATIONS

Thixotropic Super Big Fat Pens, Hexagonal Silicone Grip, Manufacturer: CKW Ventures LLC, Manufacturer Part No. HX-SBFP-001, ASIN: B08G3ZD6KF, online on Amazon.com, Date First Available: Aug. 8, 2020.\*

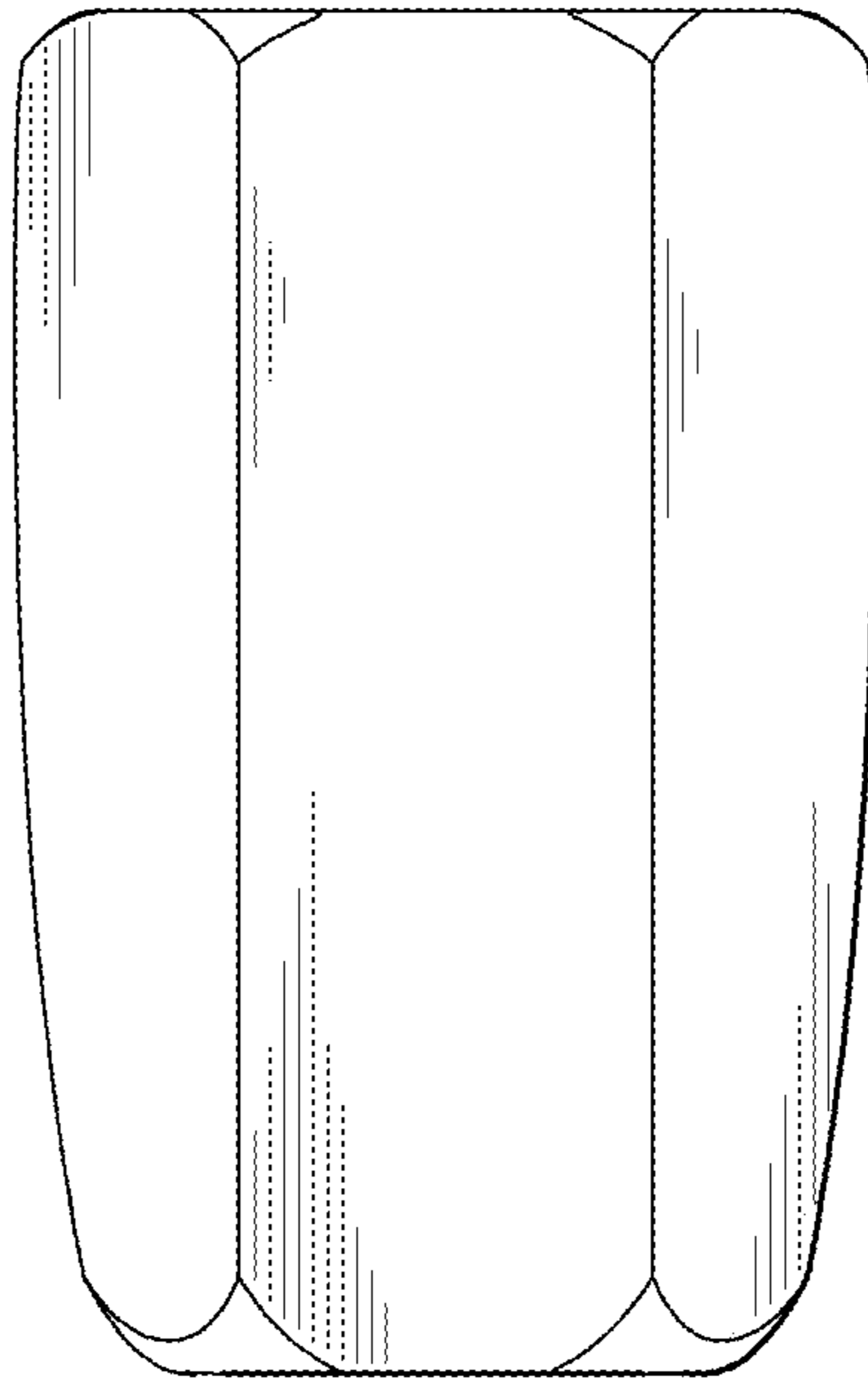
\* cited by examiner



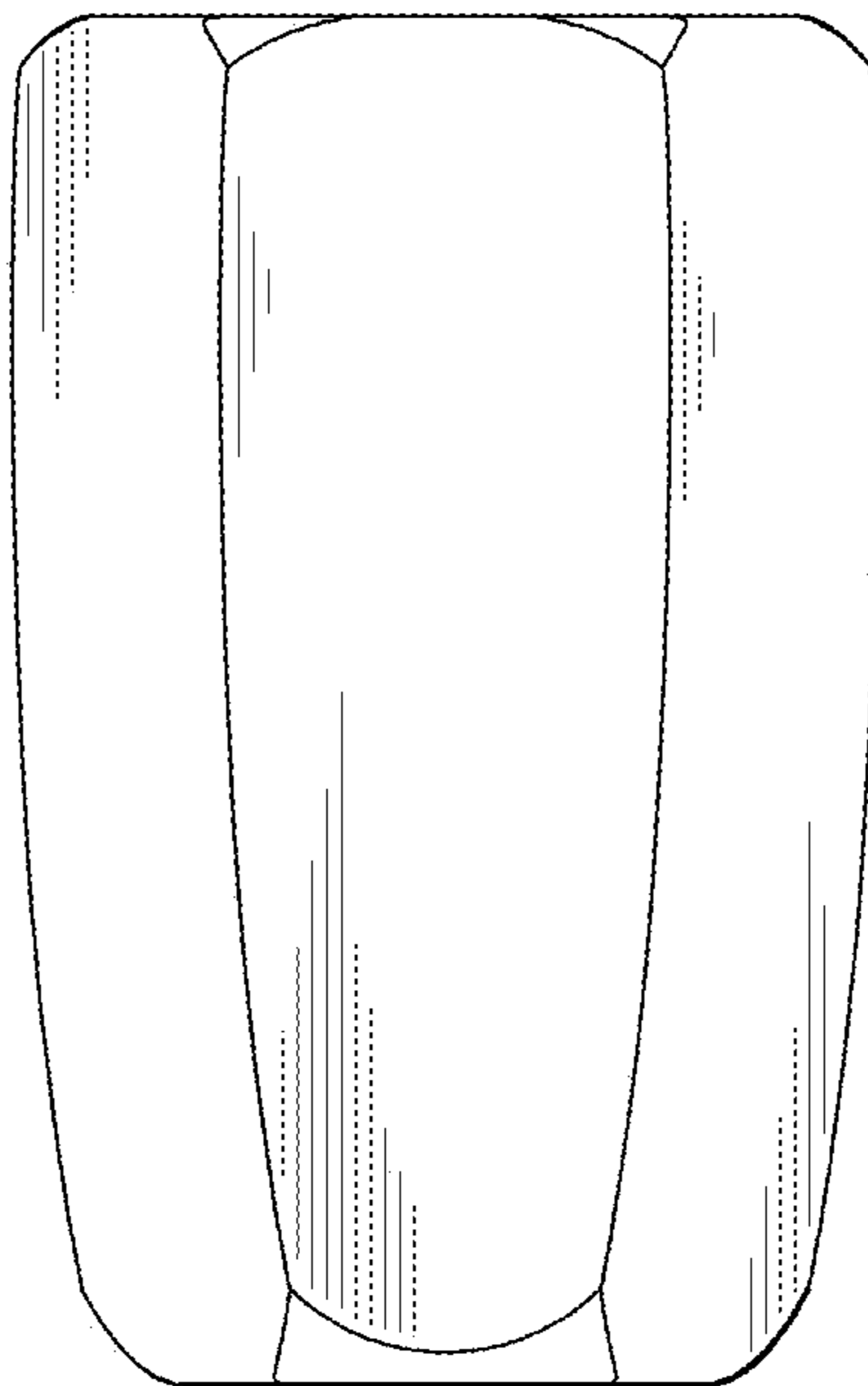
**FIG. 1**



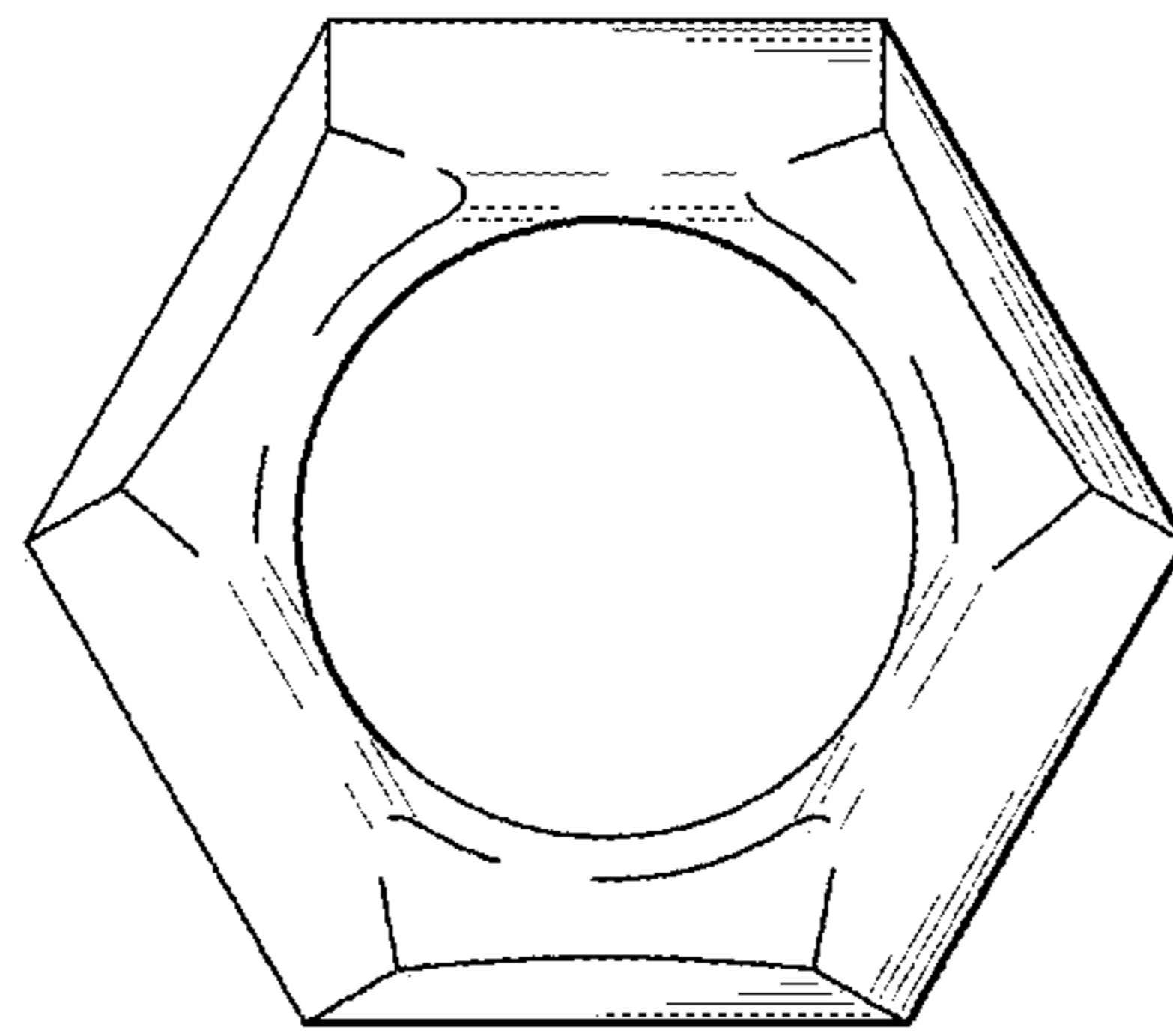
**FIG. 2**



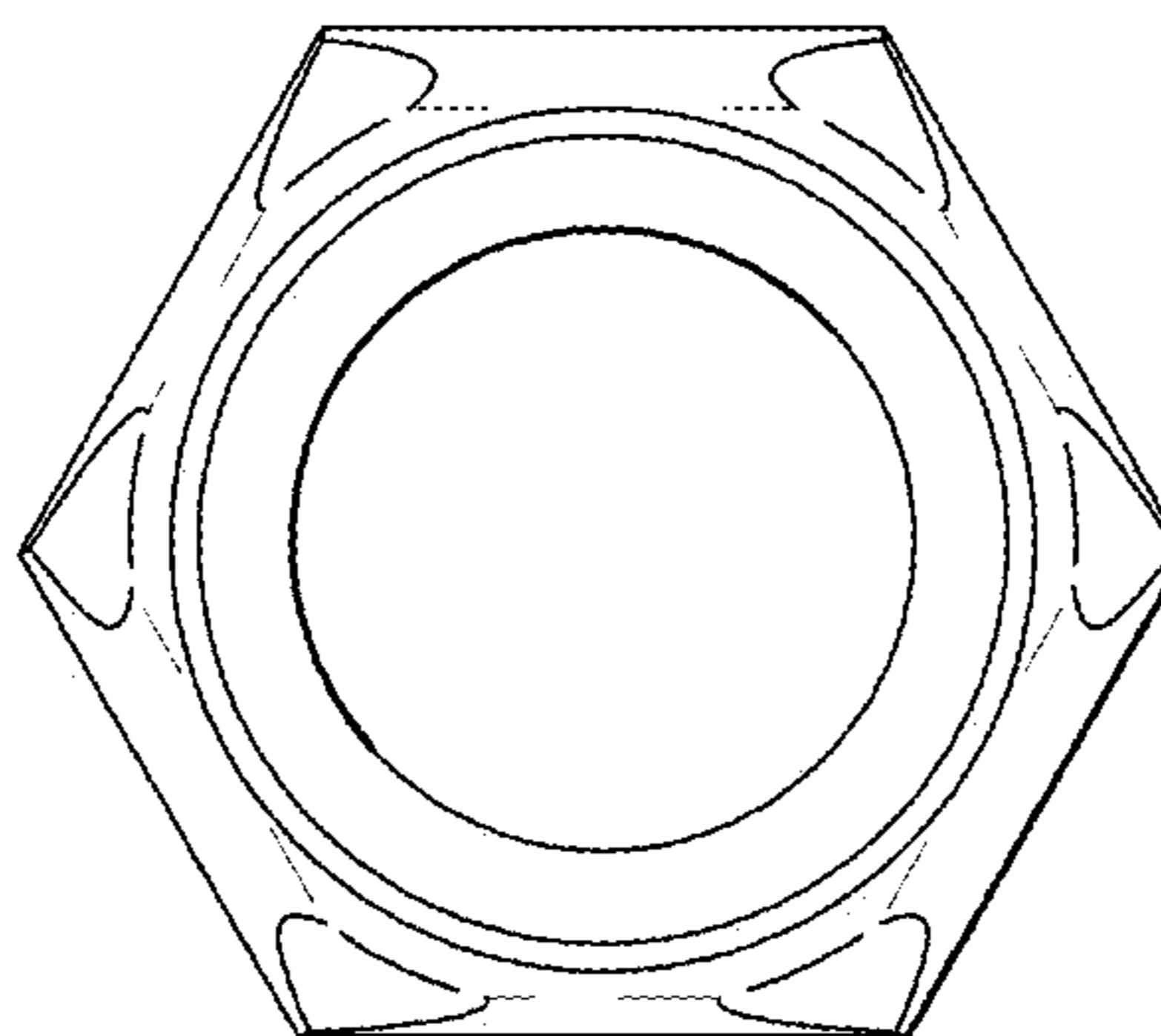
**FIG. 3**



**FIG. 4**



**FIG. 5**



**FIG. 6**