



US00D947282S

(12) **United States Design Patent**  
**Zheng**

(10) **Patent No.:** **US D947,282 S**  
(45) **Date of Patent:** **\*\* Mar. 29, 2022**

(54) **MARKER**

(71) Applicant: **YIWU JINGANGKE TRADING CO., LTD.**, Yiwu (CN)

(72) Inventor: **Jufen Zheng**, Beijing (CN)

(73) Assignee: **YIWU JINGANGKE TRADING CO., LTD.**, Yiwu (CN)

(\*\*) Term: **15 Years**

(21) Appl. No.: **29/784,275**

(22) Filed: **May 19, 2021**

(51) **LOC (13) Cl.** ..... **19-06**

(52) **U.S. Cl.**  
USPC ..... **D19/117**; D19/901; D19/929

(58) **Field of Classification Search**  
USPC ..... D19/115-179, 194, 200, 201; D14/411  
CPC . B43K 8/00; B43K 8/02; B43K 8/022; B43K 8/024; B43K 8/026; B43K 8/028; B43K 8/03; B43K 8/04; B43K 8/06; B43K 8/08; B43K 8/12; B43K 24/10; B43K 27/00

See application file for complete search history.

(56) **References Cited**

**U.S. PATENT DOCUMENTS**

D211,296 S *	6/1968	Corr	.....	D19/163
3,941,488 A *	3/1976	Maxwell	.....	B43L 19/0018 401/199
D279,992 S *	8/1985	Gribb	.....	401/199
4,685,820 A *	8/1987	Kremer	.....	B43M 11/08 401/206
D295,537 S *	5/1988	Davidson	.....	D19/117
D306,316 S *	2/1990	Shintani	.....	D19/117
6,004,057 A *	12/1999	Fulop	.....	B43M 11/08 401/35
6,179,501 B1 *	1/2001	Fulop	.....	B43K 27/08 401/35

D460,485 S *	7/2002	Keda	.....	D19/163
D460,982 S	7/2002	Bianco, Jr.		
D479,856 S	9/2003	Hui		
D482,065 S *	11/2003	Hung	.....	D19/117
6,688,792 B1 *	2/2004	Reichmann	.....	B43K 27/08 401/18
D500,081 S *	12/2004	Hung	.....	D19/166
D502,506 S *	3/2005	Reichmann	.....	B43K 27/08 D19/163
D534,813 S *	1/2007	Francavilla	.....	G01F 11/025 D9/724

(Continued)

**OTHER PUBLICATIONS**

Ohuhu Alcohol Markers, 12,204 ratings, Item model No. Y30-80400-01, ASIN: B01H1NV1RE, online on Amazon.com, Date First Available: Jun. 14, 2016.\*

(Continued)

*Primary Examiner* — Elizabeth A. Albert

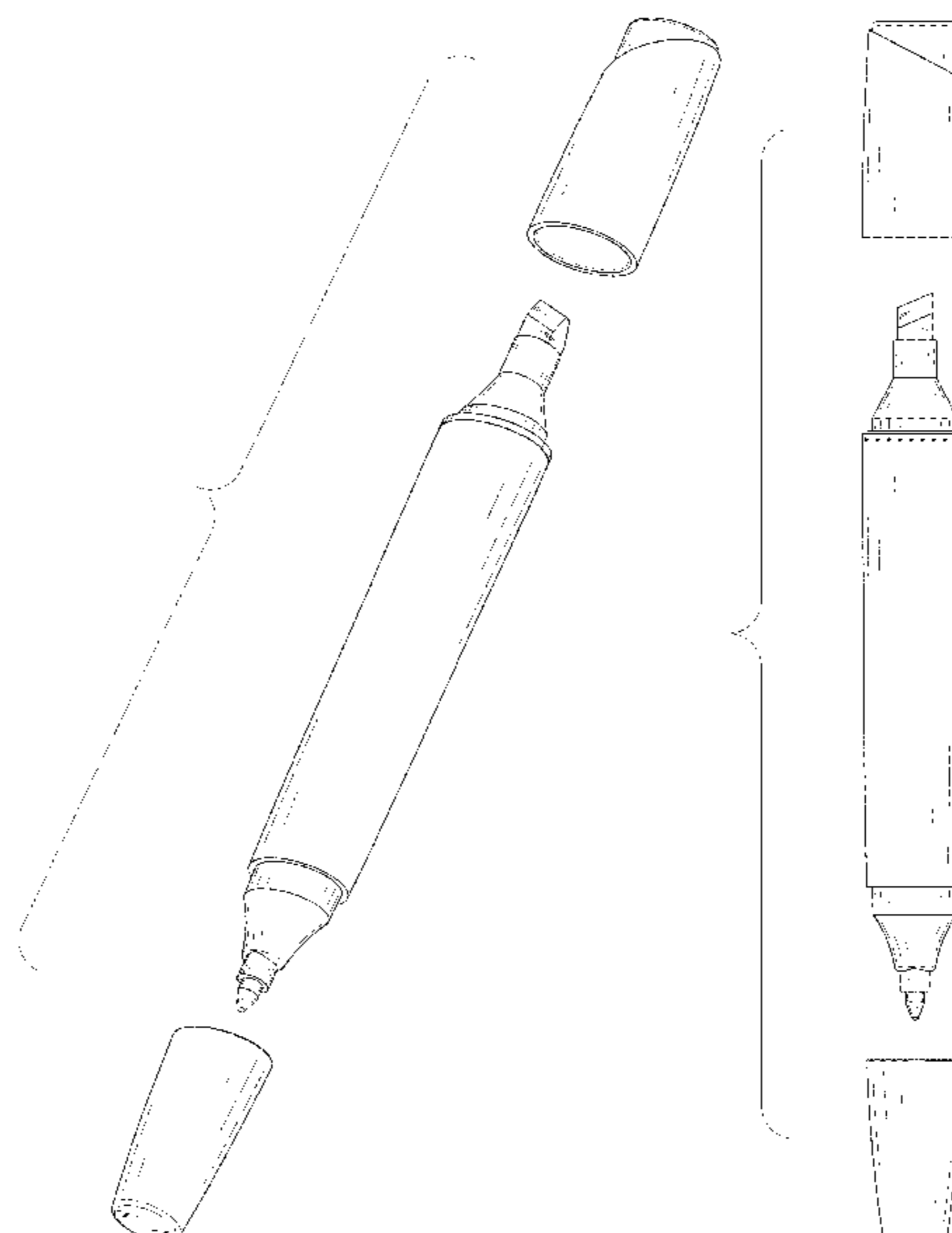
(57) **CLAIM**

The ornamental design for a marker, as shown and described.

**DESCRIPTION**

FIG. 1 is a perspective view of a marker showing my new design;  
FIG. 2 is another perspective view thereof;  
FIG. 3 is a front elevational view thereof;  
FIG. 4 is a rear elevational view thereof;  
FIG. 5 is a left side elevational view thereof;  
FIG. 6 is a right side elevational view thereof;  
FIG. 7 is a top plan view thereof;  
FIG. 8 is a bottom plan view thereof; and,  
FIG. 9 is a perspective view of the marker where the marker is in a closed state.  
The broken lines in the drawings depict portions of the marker that form no part of the claimed design.

**1 Claim, 9 Drawing Sheets**



(56)

**References Cited**

U.S. PATENT DOCUMENTS

7,229,487 B2 \* 6/2007 Godbout ..... C09D 11/18  
106/31.43  
D557,745 S \* 12/2007 Isono ..... D19/194  
D589,555 S \* 3/2009 Li ..... D19/163  
D590,876 S \* 4/2009 Shi ..... D19/117  
D626,994 S \* 11/2010 Gerules ..... D19/117  
7,976,236 B2 \* 7/2011 Oomoto ..... B43K 8/03  
401/206  
D654,537 S \* 2/2012 Hung ..... D19/117  
D655,753 S \* 3/2012 Han ..... D19/117  
D716,871 S \* 11/2014 Chang ..... D19/117  
9,256,302 B2 \* 2/2016 Chang ..... B43K 29/00  
D775,279 S \* 12/2016 Shen ..... D19/117  
D791,234 S \* 7/2017 Vadenne ..... D19/194  
D833,067 S \* 11/2018 Suzuki ..... D28/7  
D837,297 S \* 1/2019 Muroi ..... D19/117  
D838,902 S \* 1/2019 Suzuki ..... D28/7  
2020/0305575 A1 \* 10/2020 Luo ..... B43K 5/1818

OTHER PUBLICATIONS

Artify 80 Enhanced Colors Art Markers, 983 ratings, Manufacturer  
Part No. XKL-80 Enhanced, ASIN: B09GY69L4J, online on Amazon.  
com, Date First Available: Sep. 23, 2021.\*

\* cited by examiner

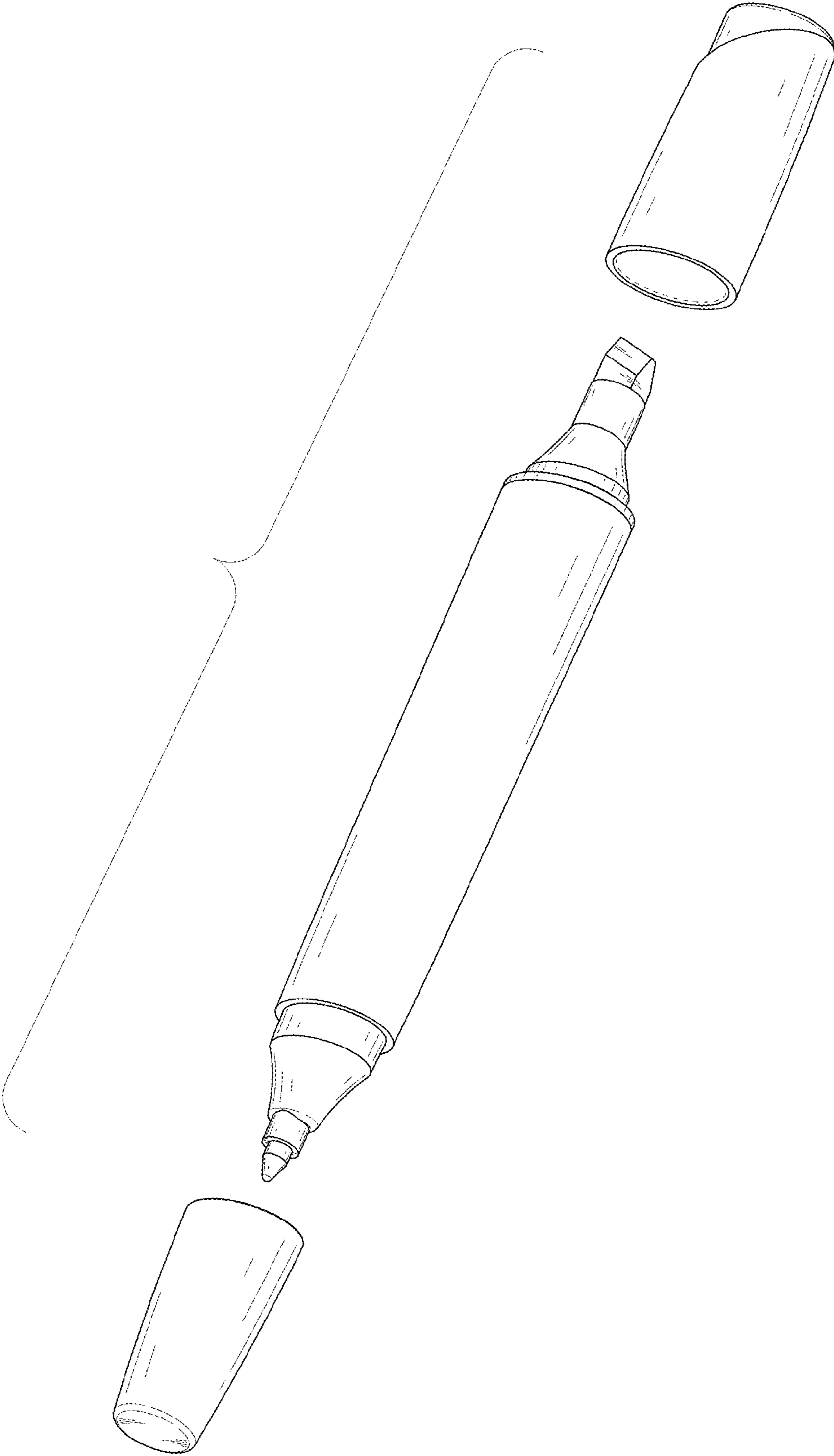


FIG. 1

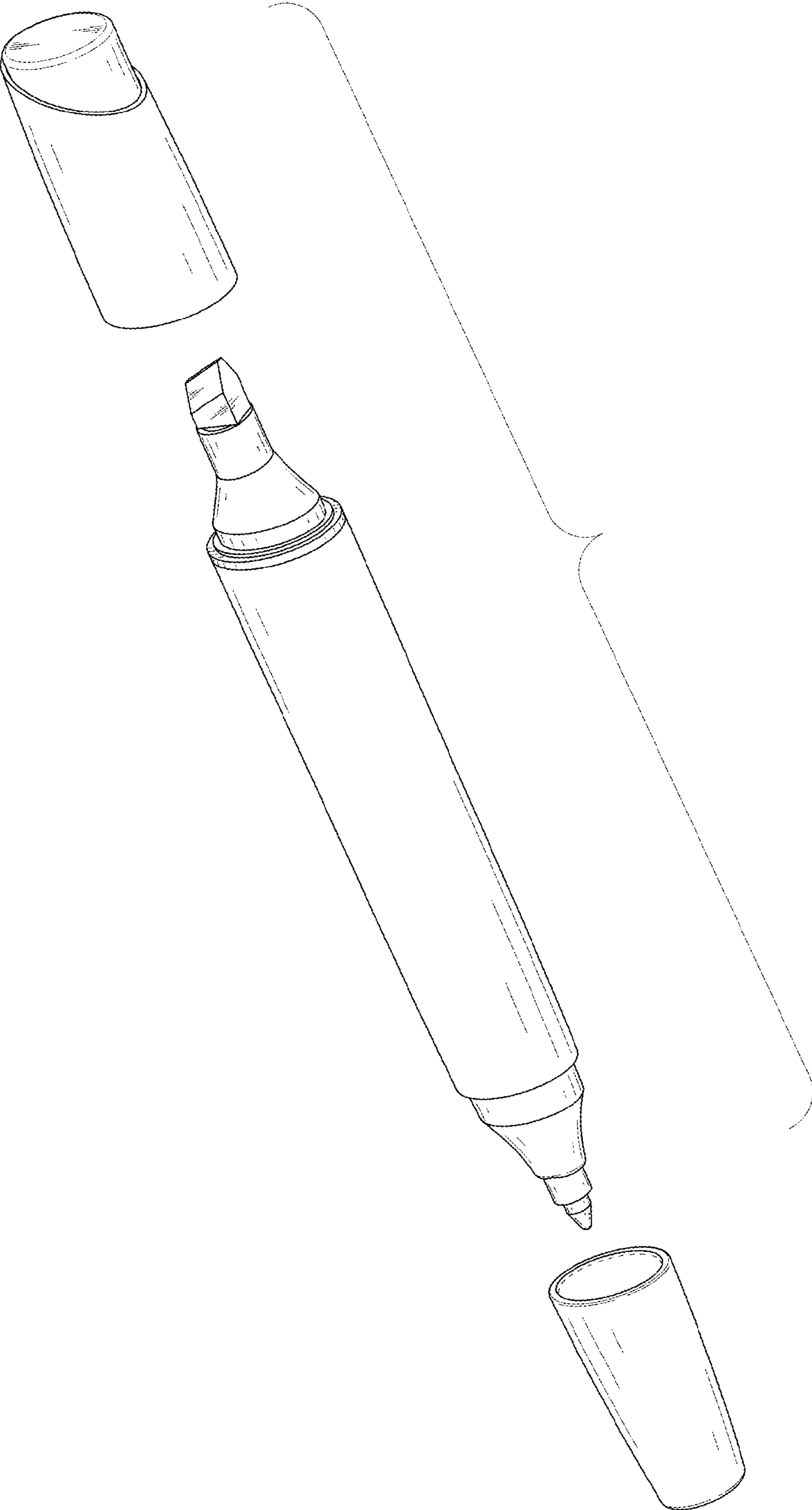


FIG. 2

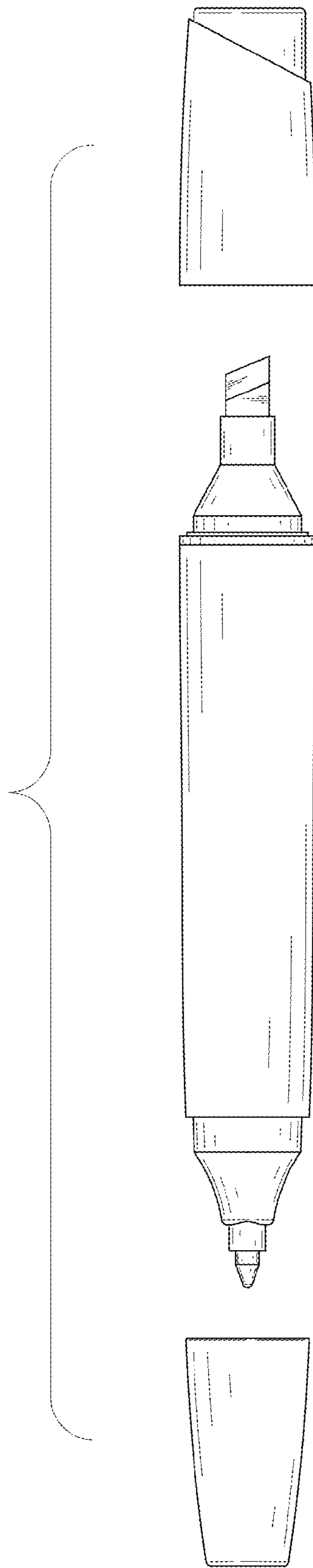


FIG. 3

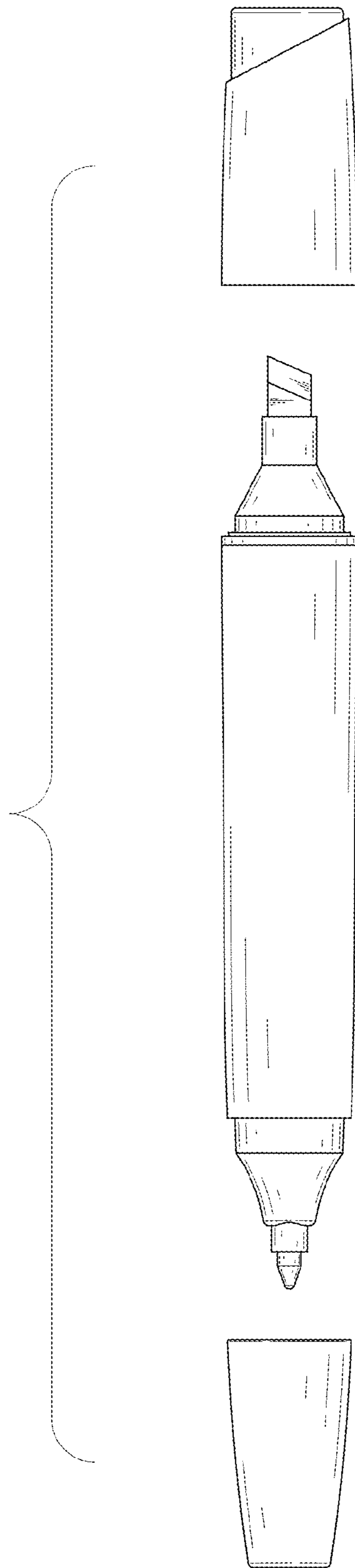


FIG. 4

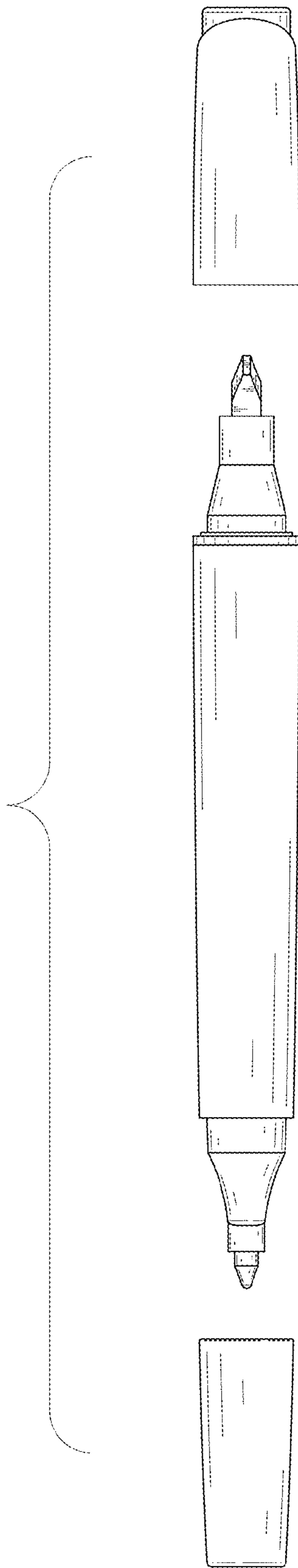


FIG. 5

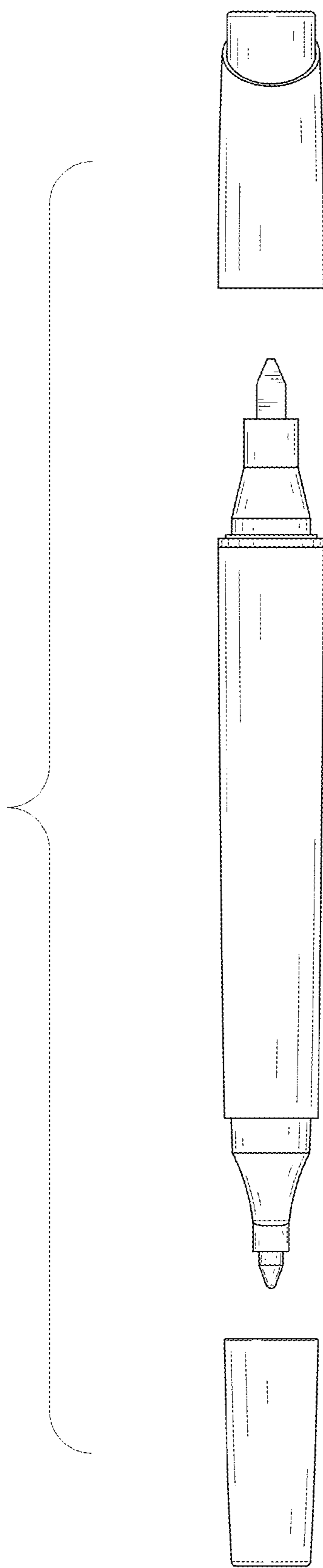


FIG. 6



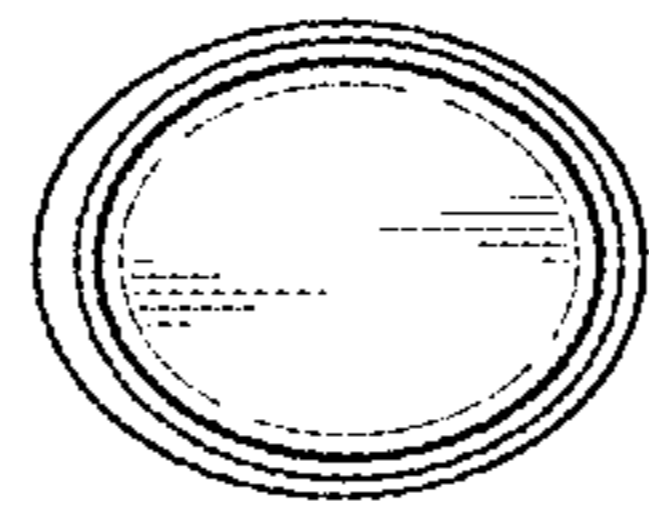


FIG. 7

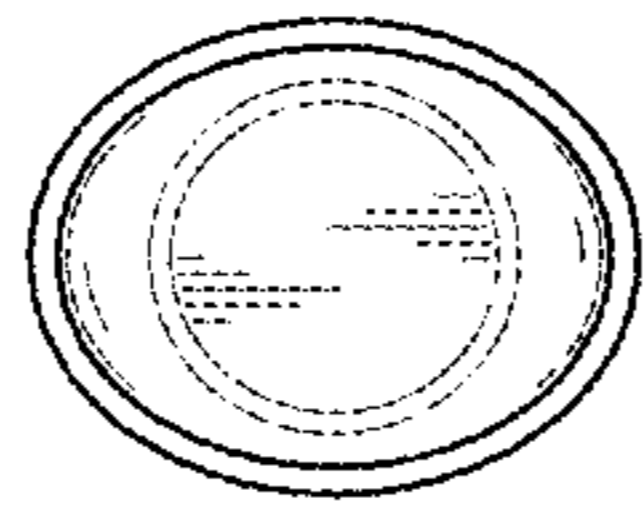


FIG. 8

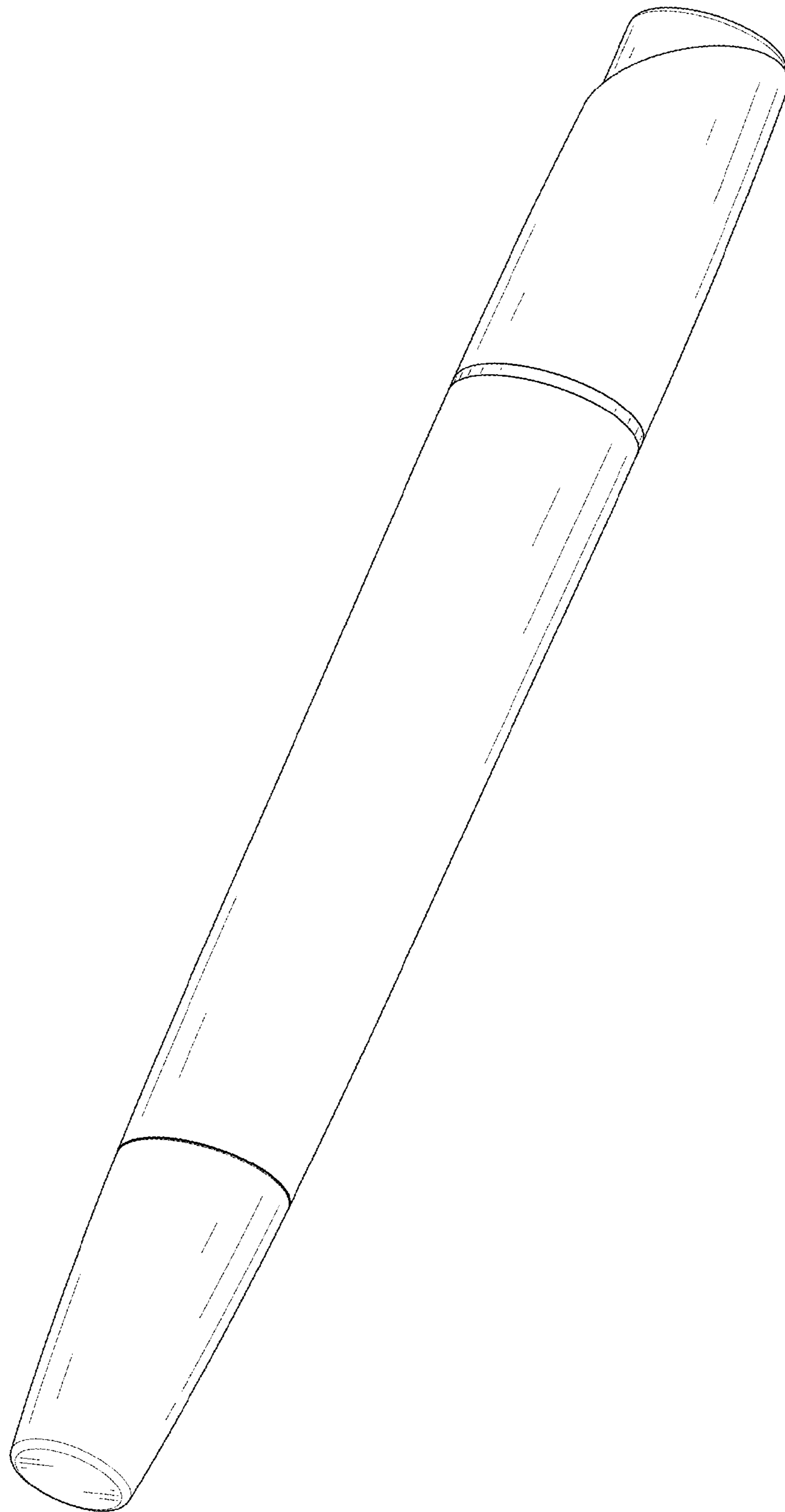


FIG. 9