



US00D947279S

(12) **United States Design Patent**
Chang

(10) **Patent No.:** **US D947,279 S**
(45) **Date of Patent:** **** Mar. 29, 2022**

(54) **PRINTER**

(71) Applicant: **INTERNATIONAL CURRENCY TECHNOLOGIES CORPORATION**, Taipei (TW)

(72) Inventor: **Chia-Min Chang**, Taipei (TW)

(73) Assignee: **International Currency Technologies Corporation**, Taipei (TW)

(**) Term: **15 Years**

(21) Appl. No.: **29/710,546**

(22) Filed: **Oct. 24, 2019**

(51) **LOC (13) Cl.** **18-02**

(52) **U.S. Cl.**
USPC **D18/54**

(58) **Field of Classification Search**
USPC D18/4.1, 4.4, 4.6, 37, 38, 39, 50, 53, 54,
D18/55, 59; D14/300, 301, 302, 307
CPC ... H04N 2201/0094; H04N 2201/0081; H04N
1/00278
See application file for complete search history.

(56) **References Cited**

U.S. PATENT DOCUMENTS

D324,234 S *	2/1992	Tanaka	D18/54
D333,316 S *	2/1993	Ishizawa	D18/55
D372,936 S *	8/1996	Droege	400/679
D409,230 S *	5/1999	Gilbertson	D18/14
D409,232 S *	5/1999	Kim	D18/50
D430,199 S *	8/2000	Petteruti	D18/50
D478,116 S *	8/2003	Nakaeda	D18/19
D526,349 S *	8/2006	Granaas	D18/54
D559,303 S *	1/2008	Hongo	D18/19
D700,650 S *	3/2014	Chida	D18/50
D736,838 S *	8/2015	Costabeber	D15/122
D769,368 S *	10/2016	Ozawa	D18/56

D862,588 S *	10/2019	Huang	D18/50
2018/0086119 A1 *	3/2018	Ikemoto	B41J 13/02
2018/0333013 A1 *	11/2018	Starkey	G01S 17/08

FOREIGN PATENT DOCUMENTS

CN 201930515345.4 * 7/2020

OTHER PUBLICATIONS

ICT SP1 Series Installation Guide—pp. 1,41—Date 2018—
http:icteurope.de-29710546-SP1 Series Installation Guide (EN)
H6887E-R (印刷機) .cdr (icteurope.de) (Year: 2018).*

* cited by examiner

Primary Examiner — Jennifer L Rempfer

Assistant Examiner — Danielle Nichole Bowly

(74) *Attorney, Agent, or Firm* — Muncy, Geissler, Olds & Lowe, P.C.

(57) **CLAIM**

I claim the ornamental design for a printer, as shown and described.

DESCRIPTION

FIG. 1 is a top front perspective view of a printer showing my design;

FIG. 2 is a front view thereof;

FIG. 3 is a rear view thereof;

FIG. 4 is a left side view thereof;

FIG. 5 is a right side view thereof;

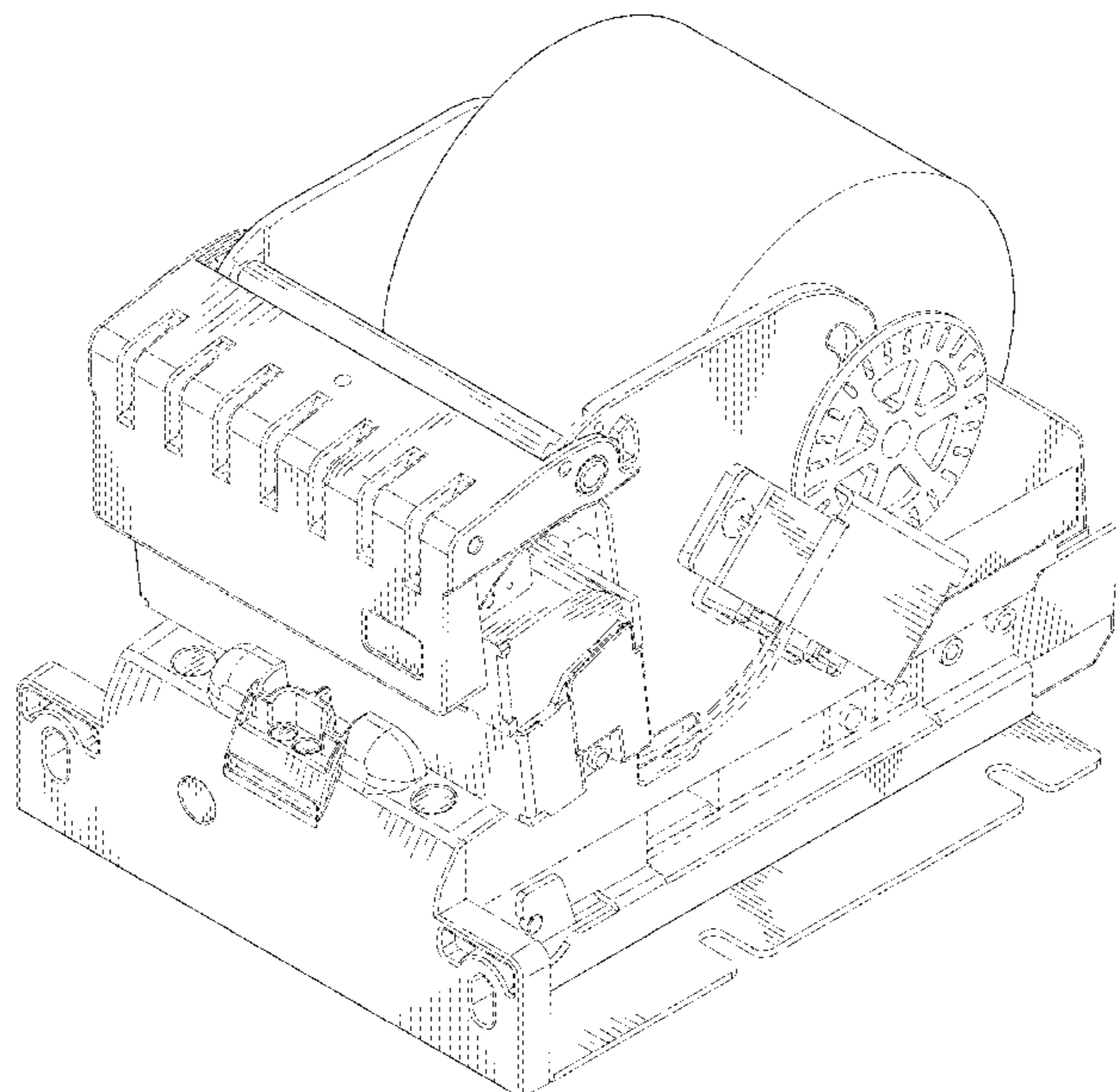
FIG. 6 is a top view thereof;

FIG. 7 is a bottom view thereof; and,

FIG. 8 is a rear perspective view thereof.

The broken line portion of the figure drawings is included to show portions of the article that forms no part of the claimed design.

1 Claim, 8 Drawing Sheets



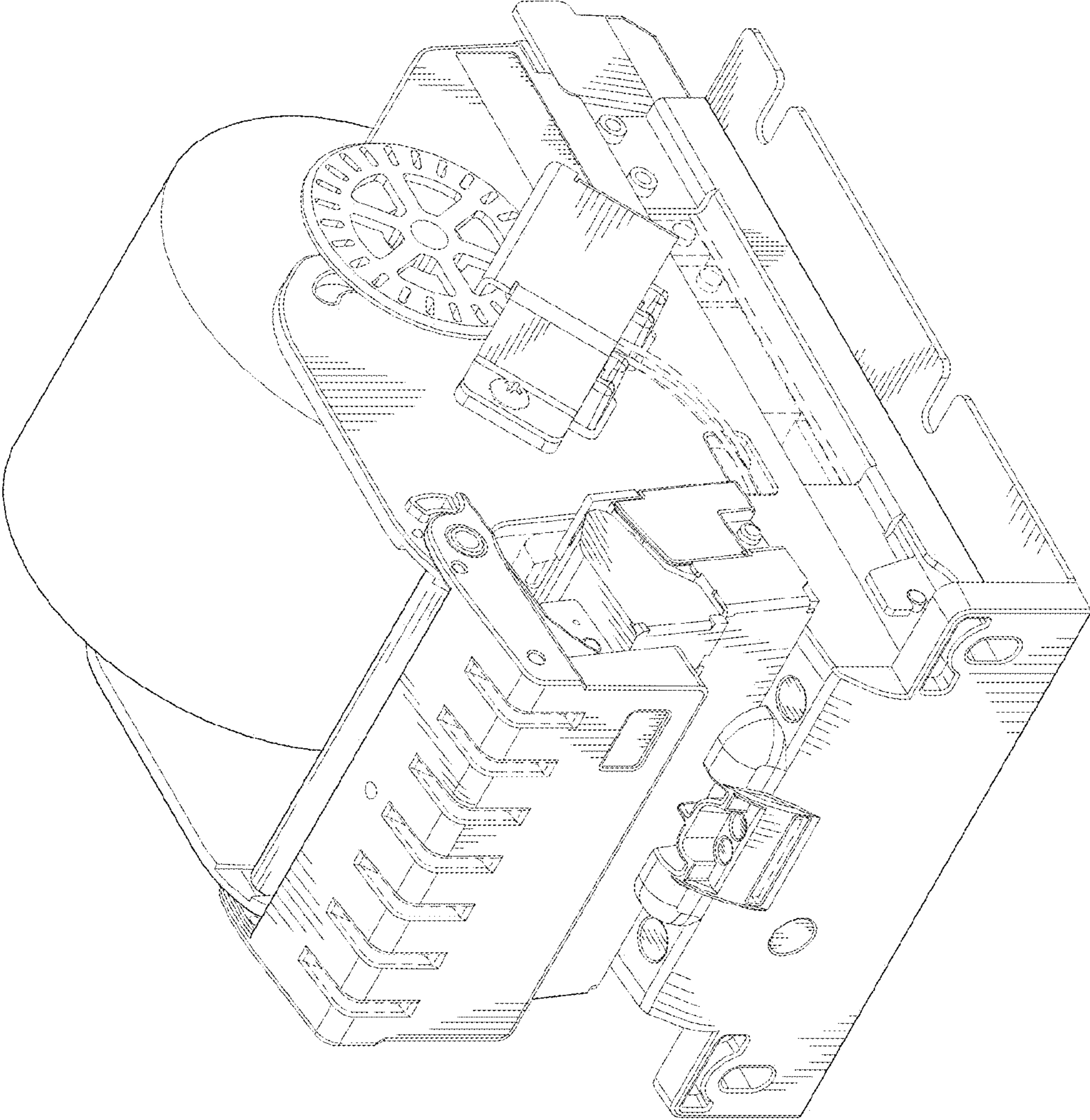


FIG. 1

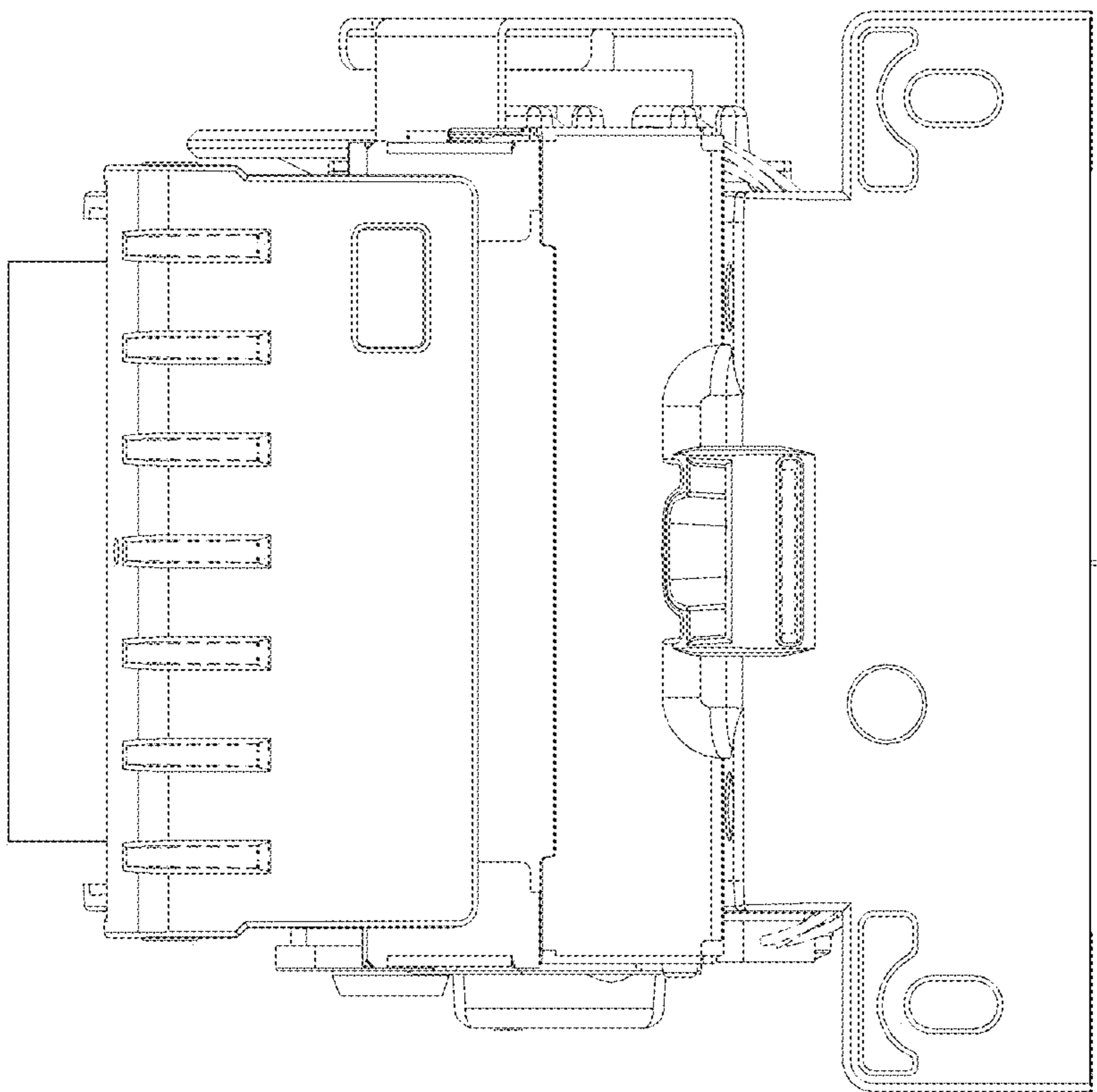


FIG. 2

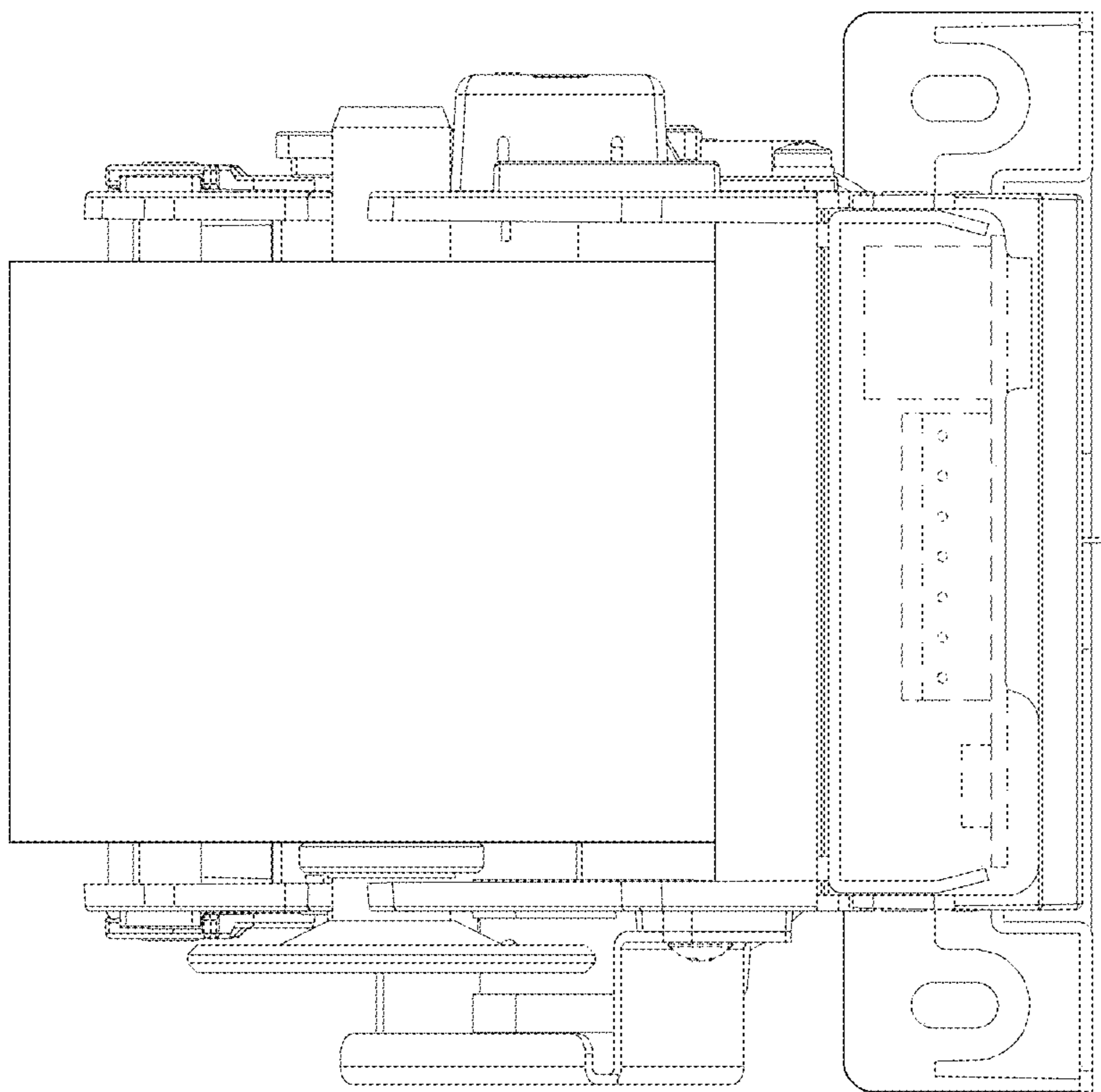


FIG. 3

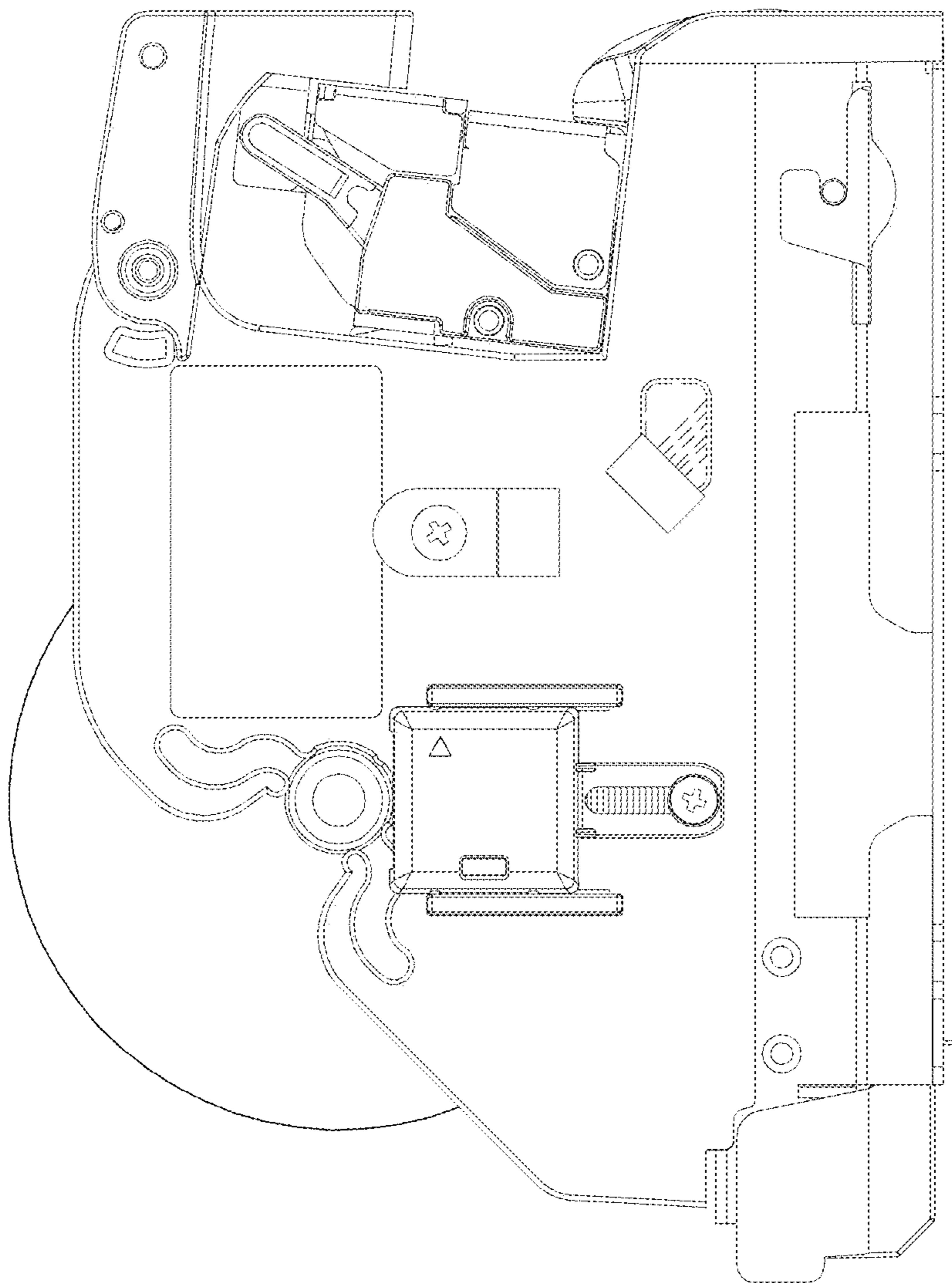


FIG. 4

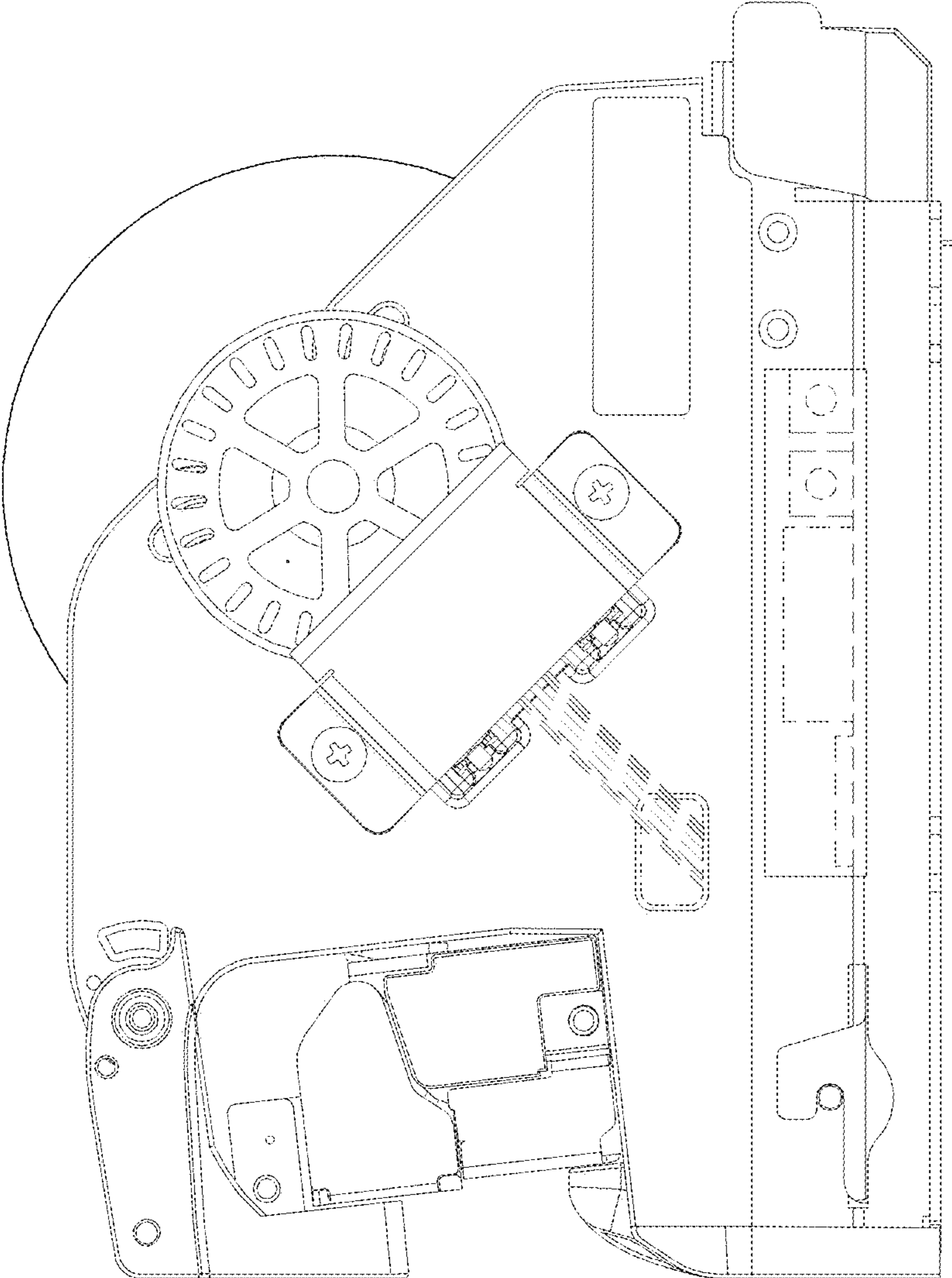


FIG. 5

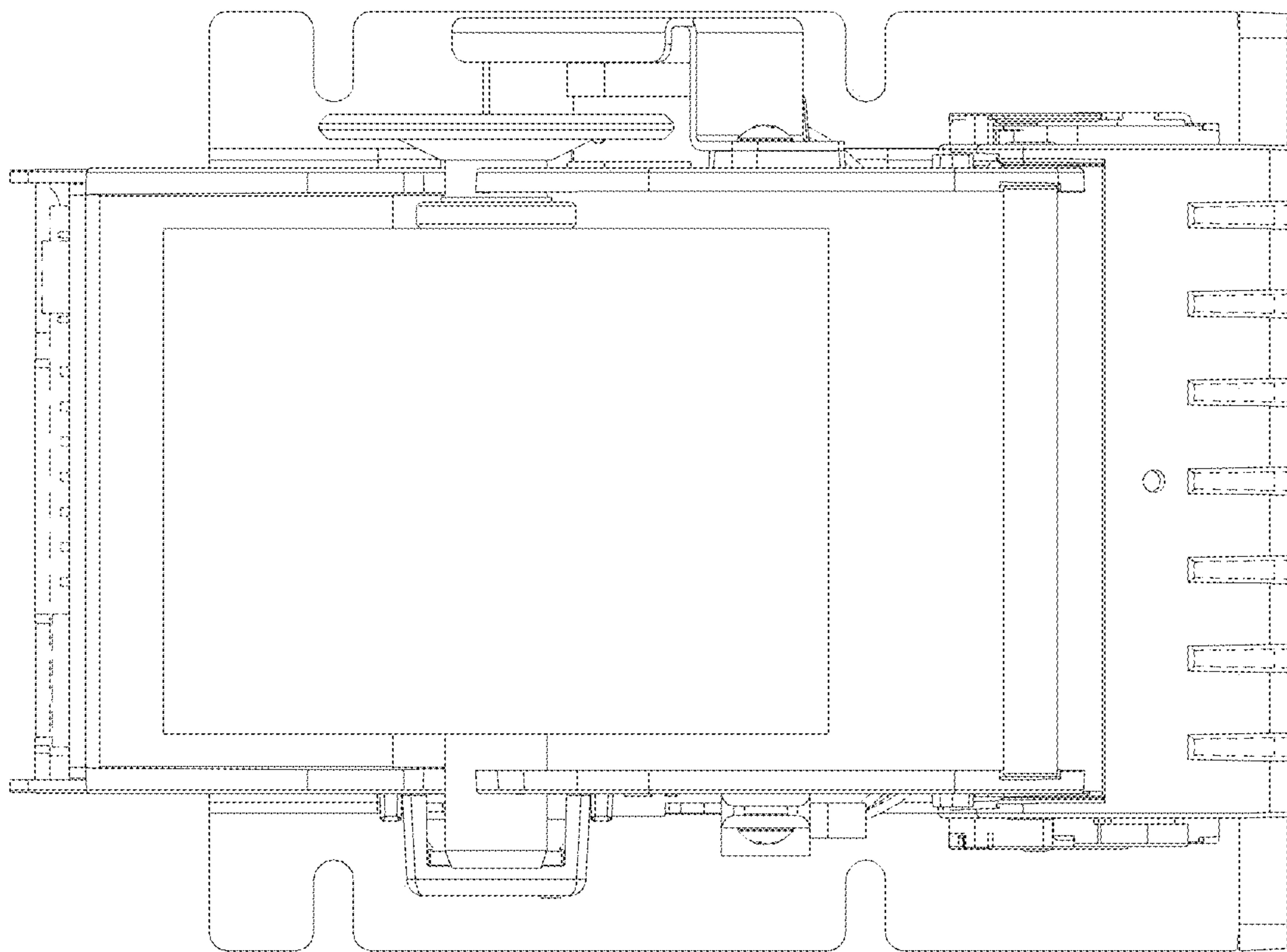


FIG. 6

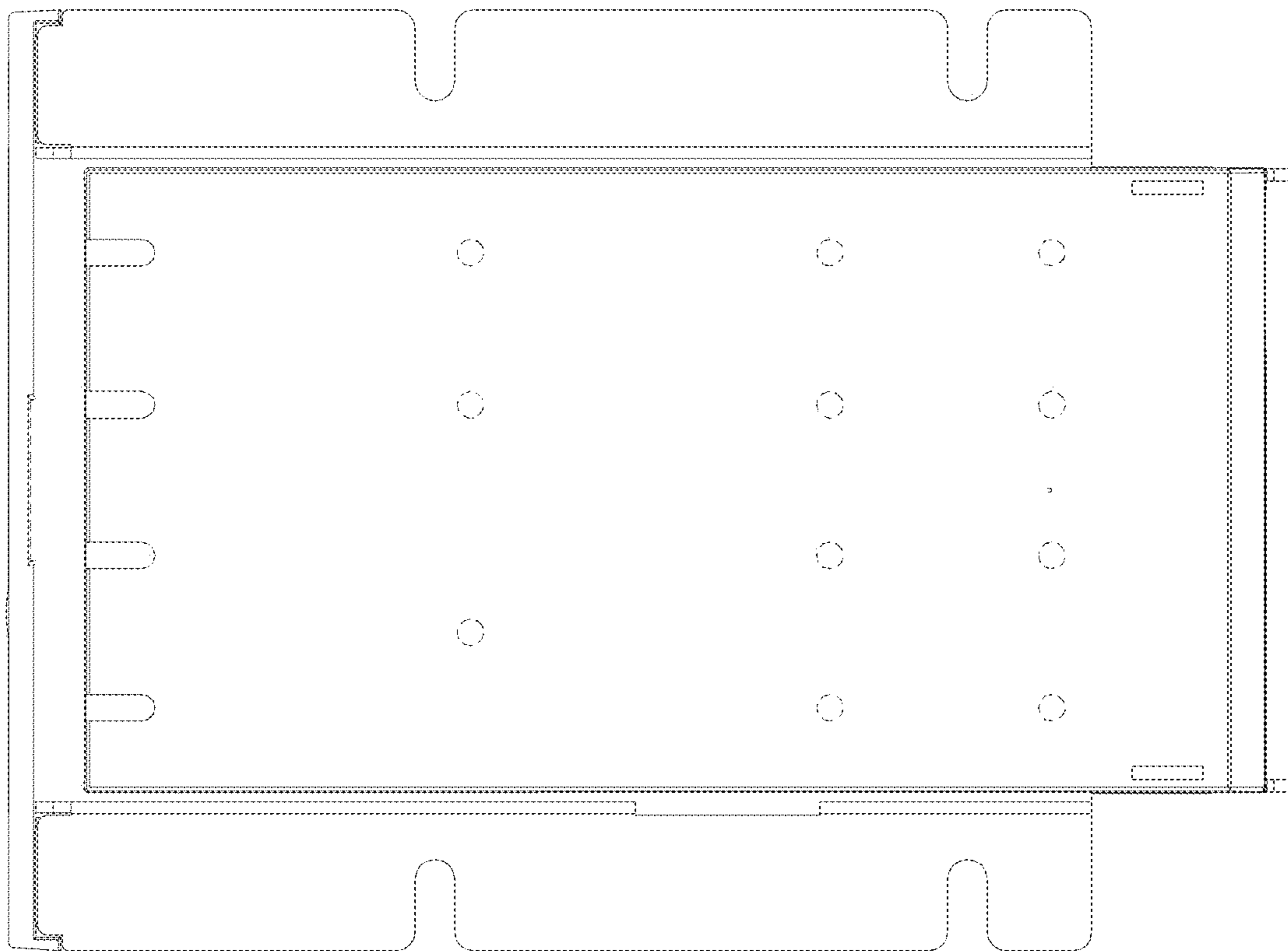


FIG. 7

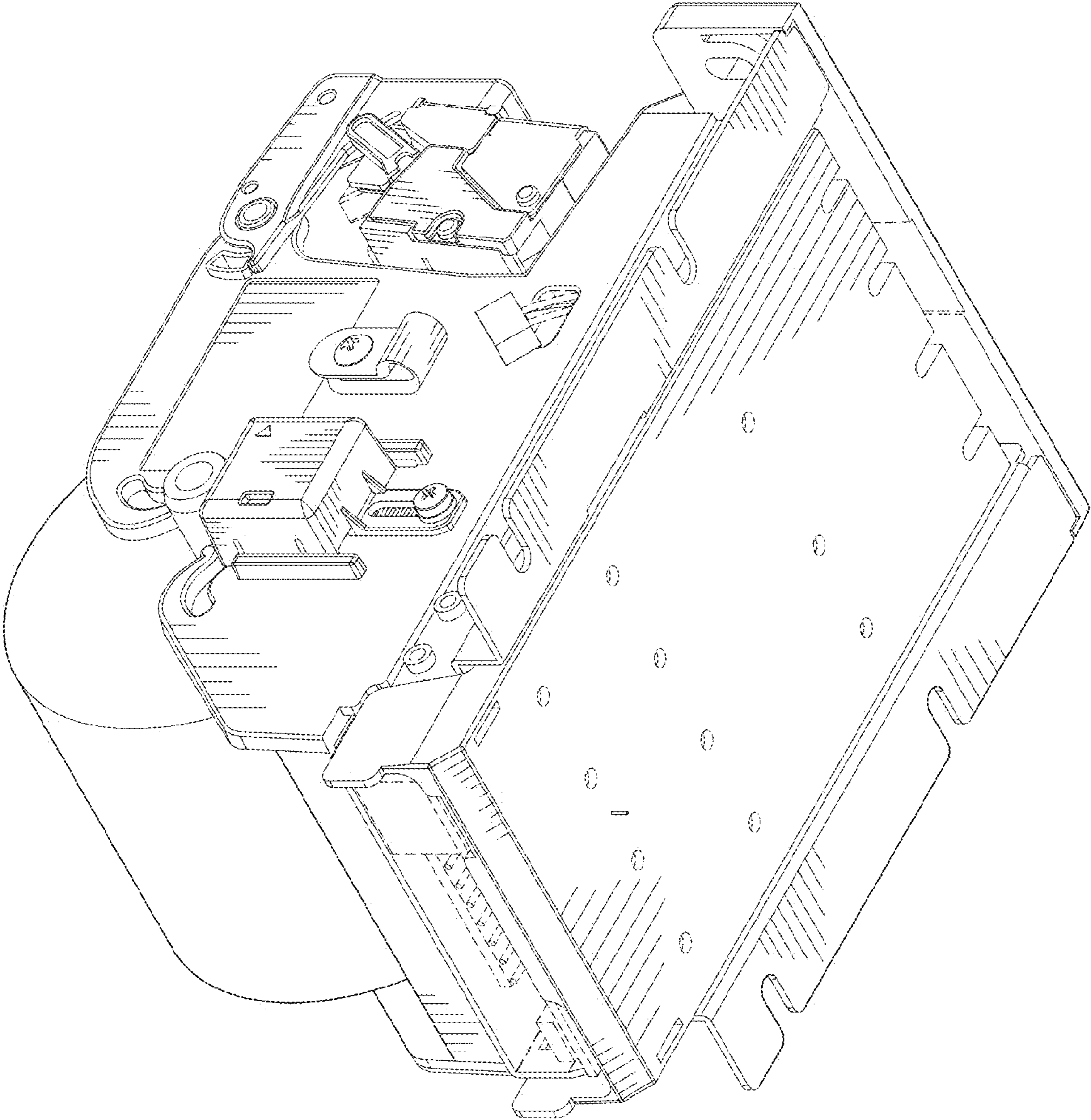


FIG. 8