

US00D947278S

(12) **United States Design Patent**
Cesar et al.

(10) **Patent No.:** **US D947,278 S**
(45) **Date of Patent:** **** Mar. 29, 2022**

(54) **TEXTILE PRINTER**

FOREIGN PATENT DOCUMENTS

(71) Applicant: **Hewlett-Packard Development Company, L.P.**, Spring, TX (US)

CN 305434651 * 11/2019
CN 305531029 * 1/2020

(72) Inventors: **Javier Alfonso Cesar**, Sant Cugat del Vallès (ES); **Oriol Moliner**, Sant Cugat del Vallès (ES); **Miguel Uribarri**, Sant Cugat del Vallès (ES)

OTHER PUBLICATIONS

YouTube. Link: <https://www.youtube.com/watch?v=HGvQ3gvIYpU>. May 2, 2016. HP Latex 1500 Printer Video Product Tour: Affordable Superwide | HP Latex. (Year: 2016).*

(73) Assignee: **Hewlett-Packard Development Company, L.P.**, Spring, TX (US)

(Continued)

(**) Term: **15 Years**

Primary Examiner — Lauren D McVey
(74) *Attorney, Agent, or Firm* — Hanley Flight & Zimmerman LLC

(21) Appl. No.: **29/681,148**

(57) **CLAIM**

(22) Filed: **Feb. 22, 2019**

The ornamental design for “textile printer”, as shown and described.

(51) **LOC (13) Cl.** **14-02**

(52) **U.S. Cl.**
USPC **D18/53**

DESCRIPTION

(58) **Field of Classification Search**
USPC D18/50, 53, 54, 55, 56, 59, 36, 37, 38, D18/39, 40, 41, 45; D14/301, 307, 121
CPC H04N 1/00278; H04N 1/00204; H04N 1/00249; G06K 15/12; G06K 15/14; B41J 3/00; B41J 3/28; B41J 3/445; B41J 3/46
See application file for complete search history.

FIG. 1 is a left, front perspective view of a textile printer showing our new design;
FIG. 2 is a right, front perspective view of the textile printer of FIG. 1;
FIG. 3 is a front elevation view of the textile printer of FIG. 1;
FIG. 4 is an enlarged left side elevation view of the textile printer of FIG. 1;
FIG. 5 is an enlarged right side elevation view of the textile printer of FIG. 1; and,
FIG. 6 is a front elevation view of a textile printer of FIG. 1 with cross-hatching that denotes a color contrast. The dashed broken lines show portions of the textile printer and surfaces adjacent the dashed broken lines that form no part of the claimed design. The dotted broken lines that are immediately adjacent to the claimed areas and define broken line regions depict the bounds of the claimed design. The broken lines form no part of the claimed design.

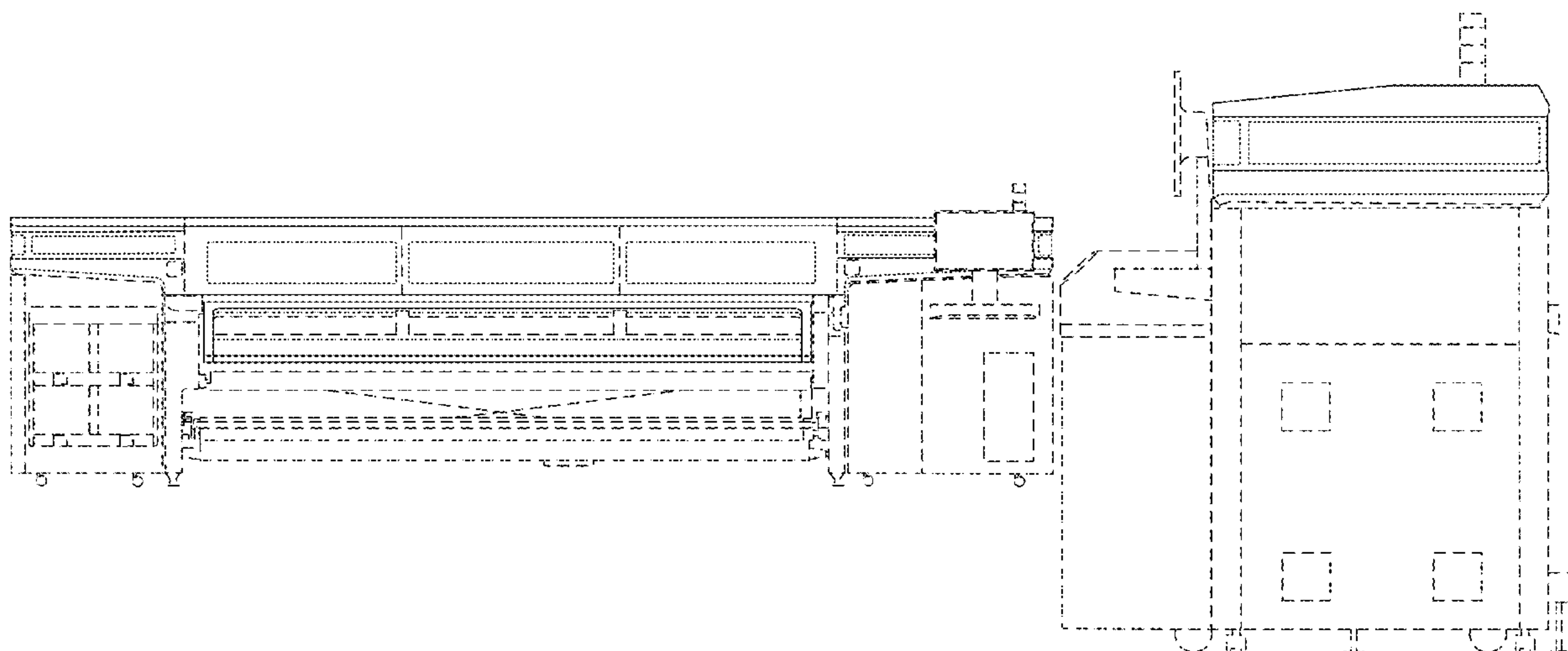
(56) **References Cited**

U.S. PATENT DOCUMENTS

D125,292 S	*	2/1941	Shell	D6/661.3
D300,747 S	*	4/1989	Bain	D18/35.1
D301,150 S	*	5/1989	Bain	D18/35.1
D332,105 S	*	12/1992	Perry	D10/97
D366,061 S	*	1/1996	Likins	D18/53
D519,547 S	*	4/2006	Kumar	D18/35.1
D640,737 S	*	6/2011	Tsuruta	D18/53
D663,596 S	*	7/2012	Kosciolek	D8/53
D757,170 S	*	5/2016	Rafa	D18/53
D799,569 S	*	10/2017	Cesar	D15/122

(Continued)

1 Claim, 6 Drawing Sheets



(56)

References Cited

U.S. PATENT DOCUMENTS

D845,385 S * 4/2019 Cesar D18/53
D875,826 S * 2/2020 Zanzotti D18/53
D875,827 S * 2/2020 Zanzotti D18/53

OTHER PUBLICATIONS

Hasco Graphics, Inc. Link: <http://hascographics.com/printers/uv-printers/roland/roland-versauv-lej-640-uv-flatbed-printer/>. Visited Apr. 9, 2020. Roland VersaUV LEJ-640 UV Flatbed Printer. (Year: 2020).*

Hasco Graphics, Inc. Link: <http://hascographics.com/large-format-printers/large-format-printers/roland-printers/roland-versaexpress-rf-640-64-printer-w-take-up/>. Visited Apr. 9, 2020. Roland VersaExpress RF 640—64" Printer w/Take-up. (Year: 2020).*

Epson Malaysia. Link: <https://www.epson.com.mm/For-Work/Printers/Large-Format/Epson-SureColor-SC-F7270-Dye-Sublimation-Textile-Printer/p/C11CF06402>. Visited Apr. 9, 2020. Epson SureColor SC-F7270 Dye-Sublimation Textile Printer. (Year: 2020).*

* cited by examiner

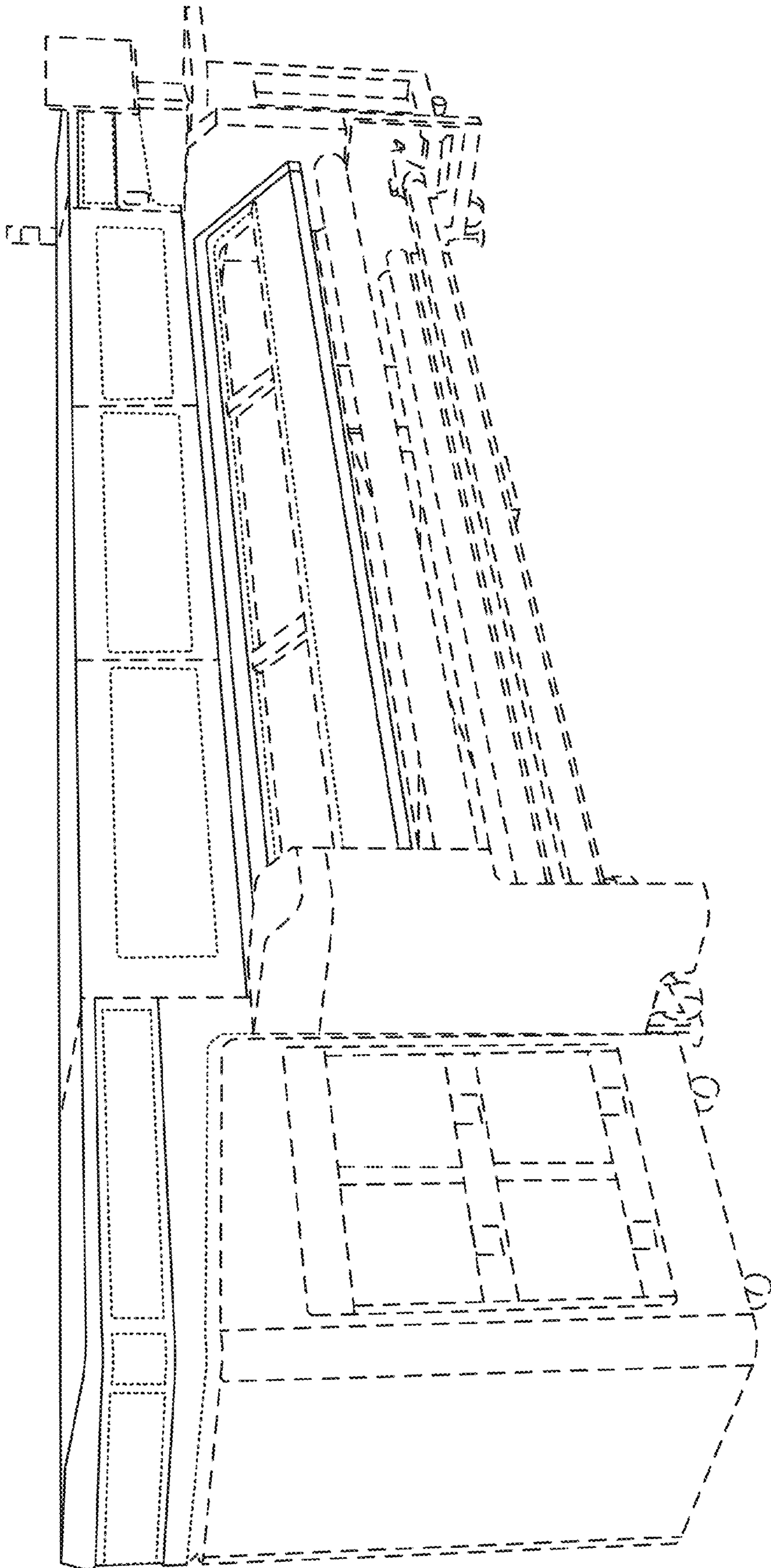
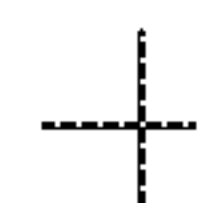


FIG. 1



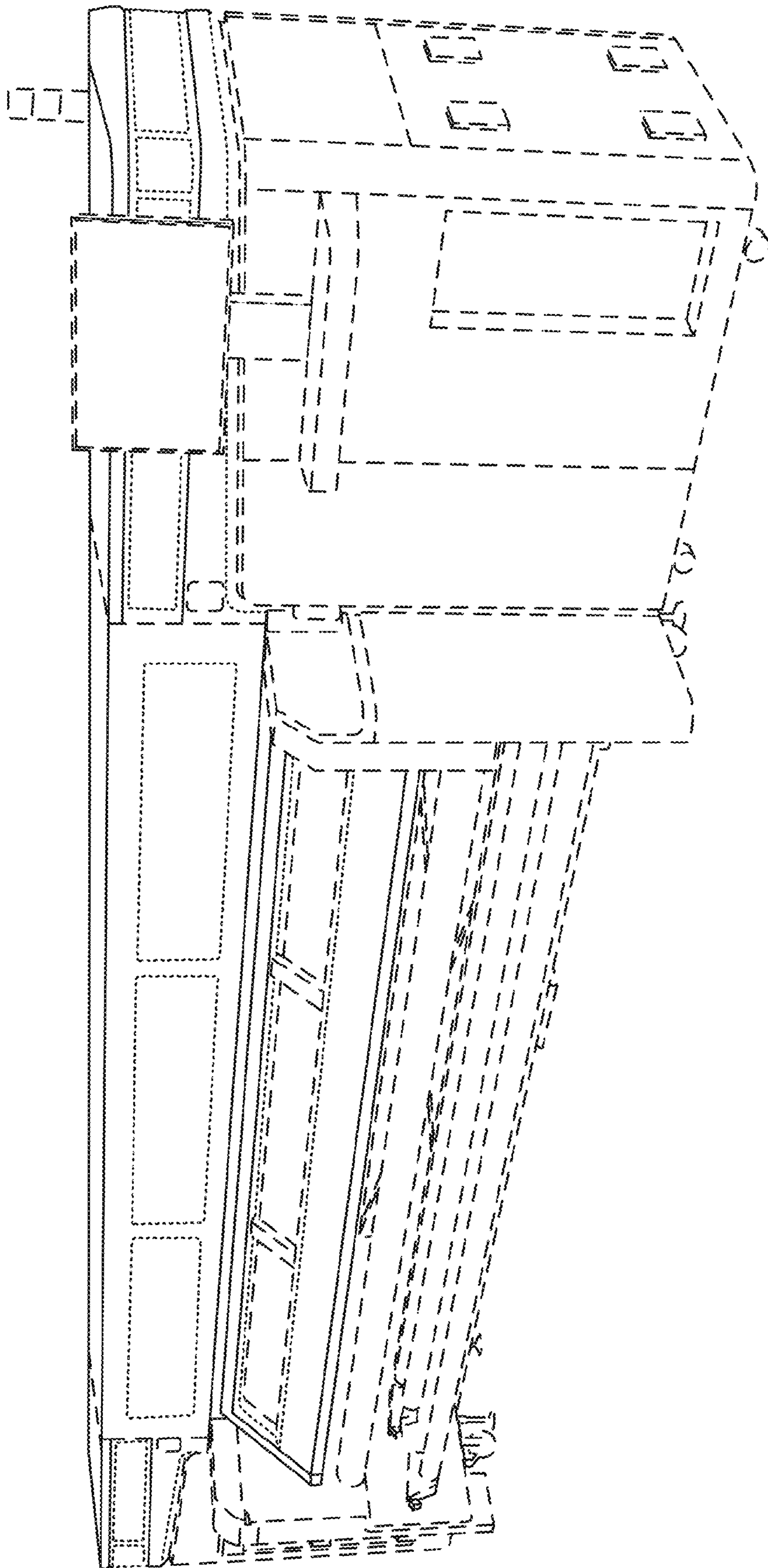


FIG. 2



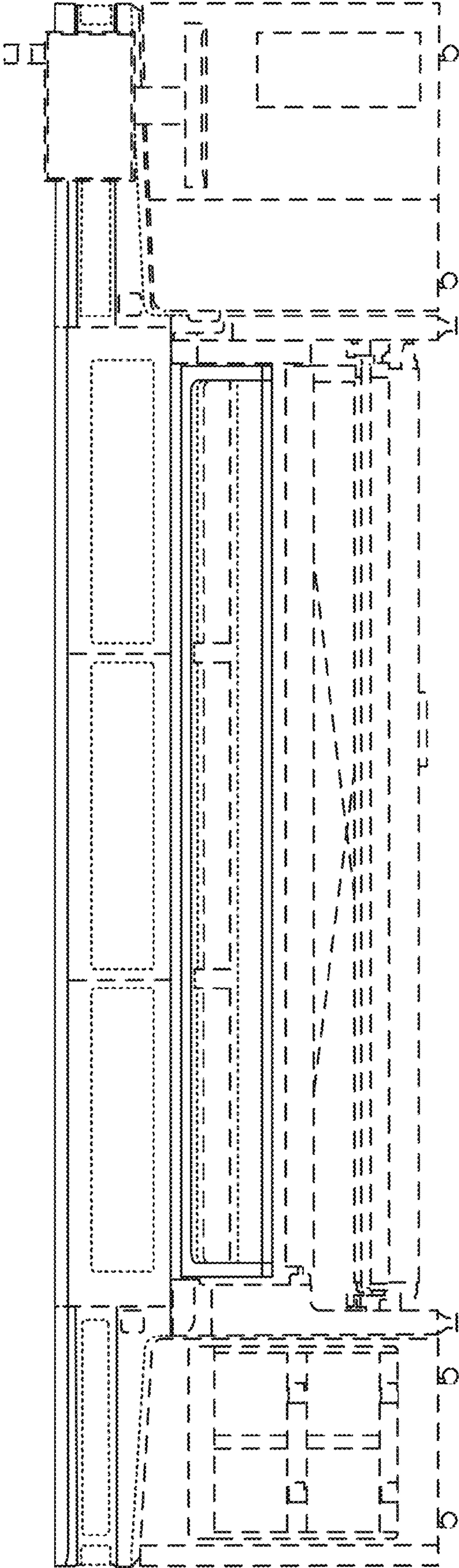


FIG. 3

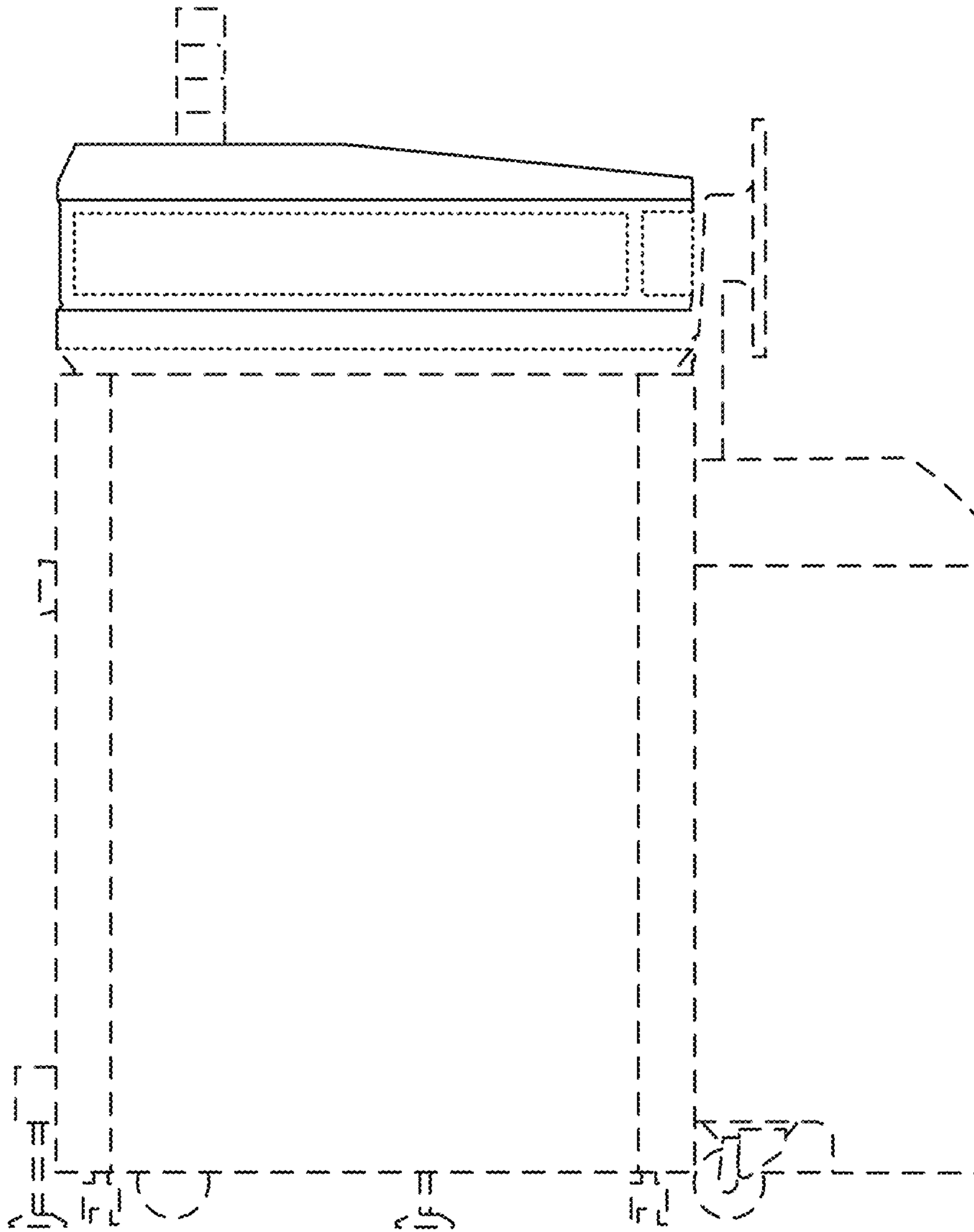


FIG. 4

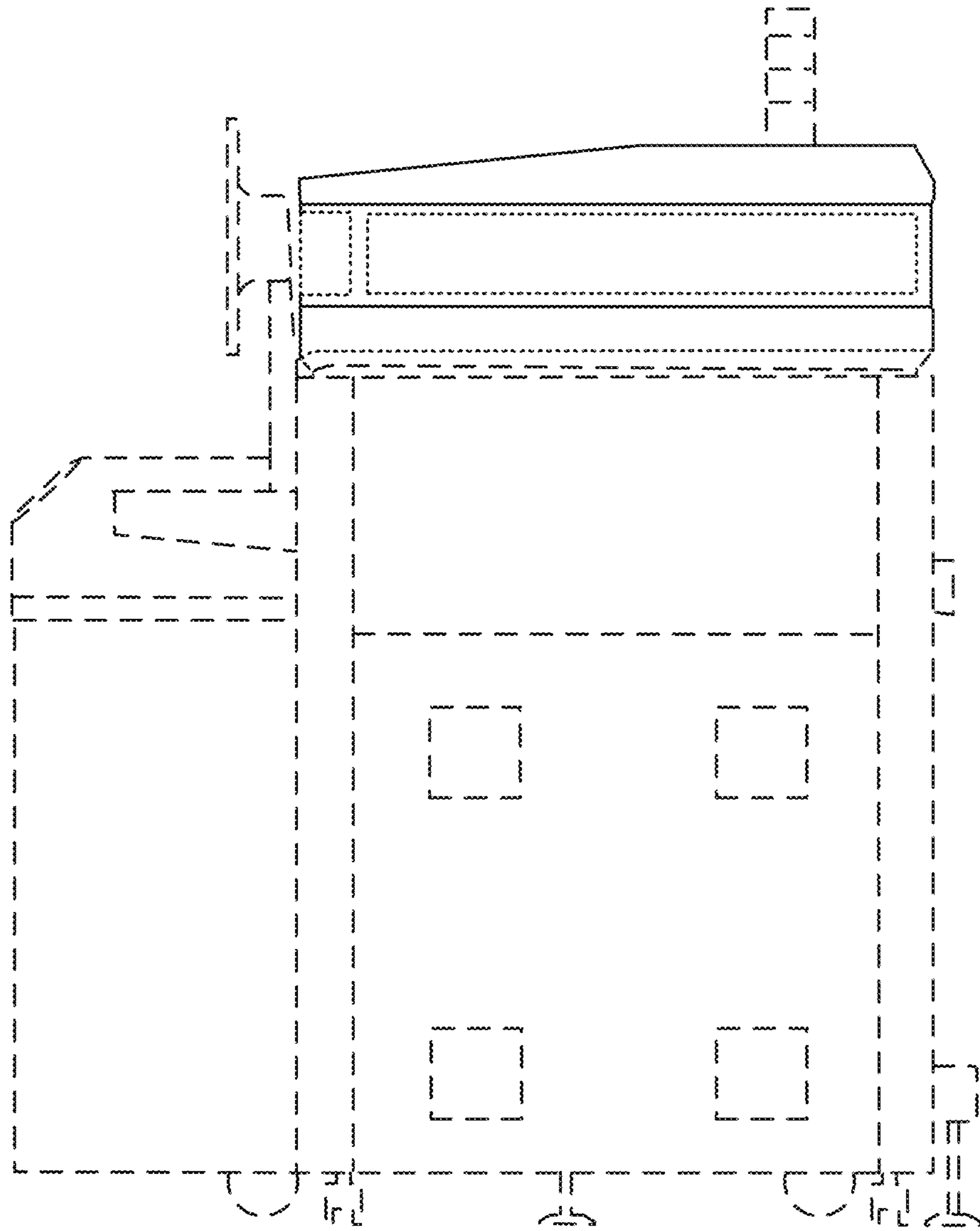


FIG. 5

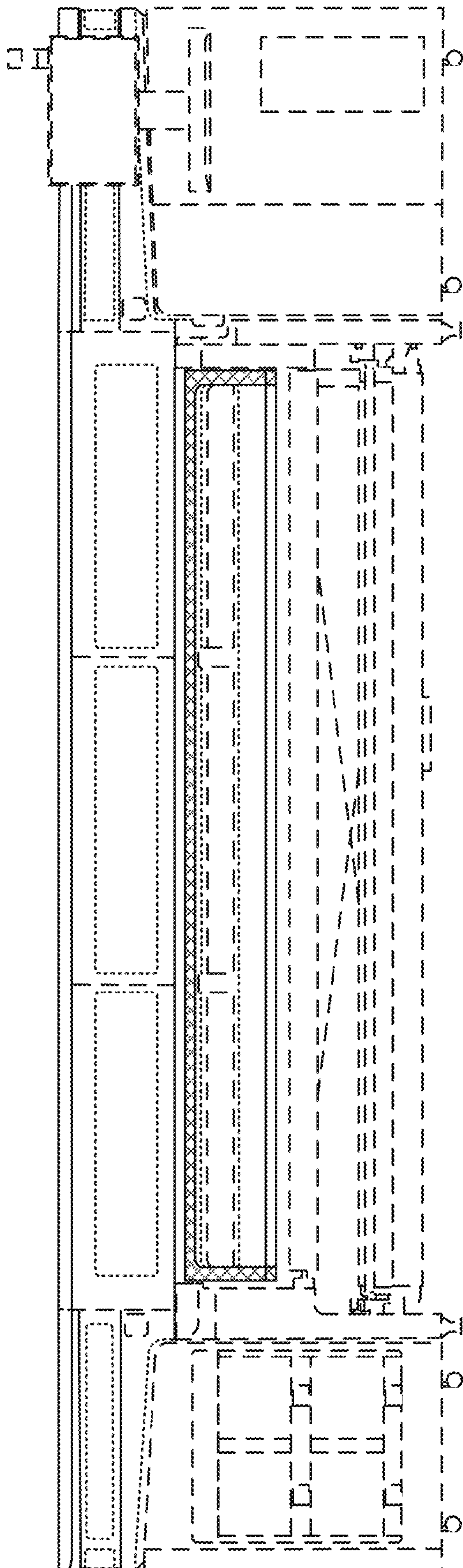


FIG. 6