



US00D947273S

(12) **United States Design Patent**  
**Lee et al.**

(10) **Patent No.:** **US D947,273 S**  
(45) **Date of Patent:** **\*\* Mar. 29, 2022**

(54) **PROJECTOR WITH FUNCTIONAL MODULE**

(71) Applicant: **Acer Incorporated**, New Taipei (TW)

(72) Inventors: **Wei-Chen Lee**, New Taipei (TW);  
**Ker-Wei Lin**, New Taipei (TW);  
**Chun-Ta Chen**, New Taipei (TW)

(73) Assignee: **Acer Incorporated**, New Taipei (TW)

(\*\*) Term: **15 Years**

(21) Appl. No.: **29/723,922**

(22) Filed: **Feb. 12, 2020**

(30) **Foreign Application Priority Data**

Aug. 23, 2019 (TW) ..... 108305051

(51) **LOC (13) Cl.** ..... **16-02**

(52) **U.S. Cl.**  
USPC ..... **D16/235**

(58) **Field of Classification Search**  
USPC ..... D16/235, 221, 225, 227-231, 232-234,  
D16/208, 203; D21/514

CPC ..... G03B 21/14; G03B 21/145; G03B 21/00;  
G03B 21/003; G03B 21/16

See application file for complete search history.

(56) **References Cited**

**U.S. PATENT DOCUMENTS**

D554,685 S \* 11/2007 Ishikawa ..... D16/221  
8,919,968 B2 \* 12/2014 Chou ..... G03B 21/14  
353/99  
D727,998 S \* 4/2015 Yuyama ..... D16/230  
D740,877 S \* 10/2015 Yuyama ..... D16/235  
9,405,176 B2 \* 8/2016 Kinebuchi ..... G03B 21/16  
D790,003 S \* 6/2017 Nakagawa ..... D16/235  
D896,295 S \* 9/2020 Lee ..... D16/203

D898,105 S \* 10/2020 Werner ..... D16/225  
2021/0263399 A1 \* 8/2021 Liu ..... G03B 21/16  
2021/0321181 A1 \* 10/2021 Wu ..... G03B 21/145

**FOREIGN PATENT DOCUMENTS**

CN 304432368 \* 6/2017

**OTHER PUBLICATIONS**

Hoffman, "Acer C250i Portable Projector", downloaded from <https://www.pcmag.com/reviews/acer-c250i-portable-projector> on Nov. 23, 2021. Jun. 22, 2020.\*

\* cited by examiner

*Primary Examiner* — Wan Laymon

(74) *Attorney, Agent, or Firm* — JCIPRNET

(57) **CLAIM**

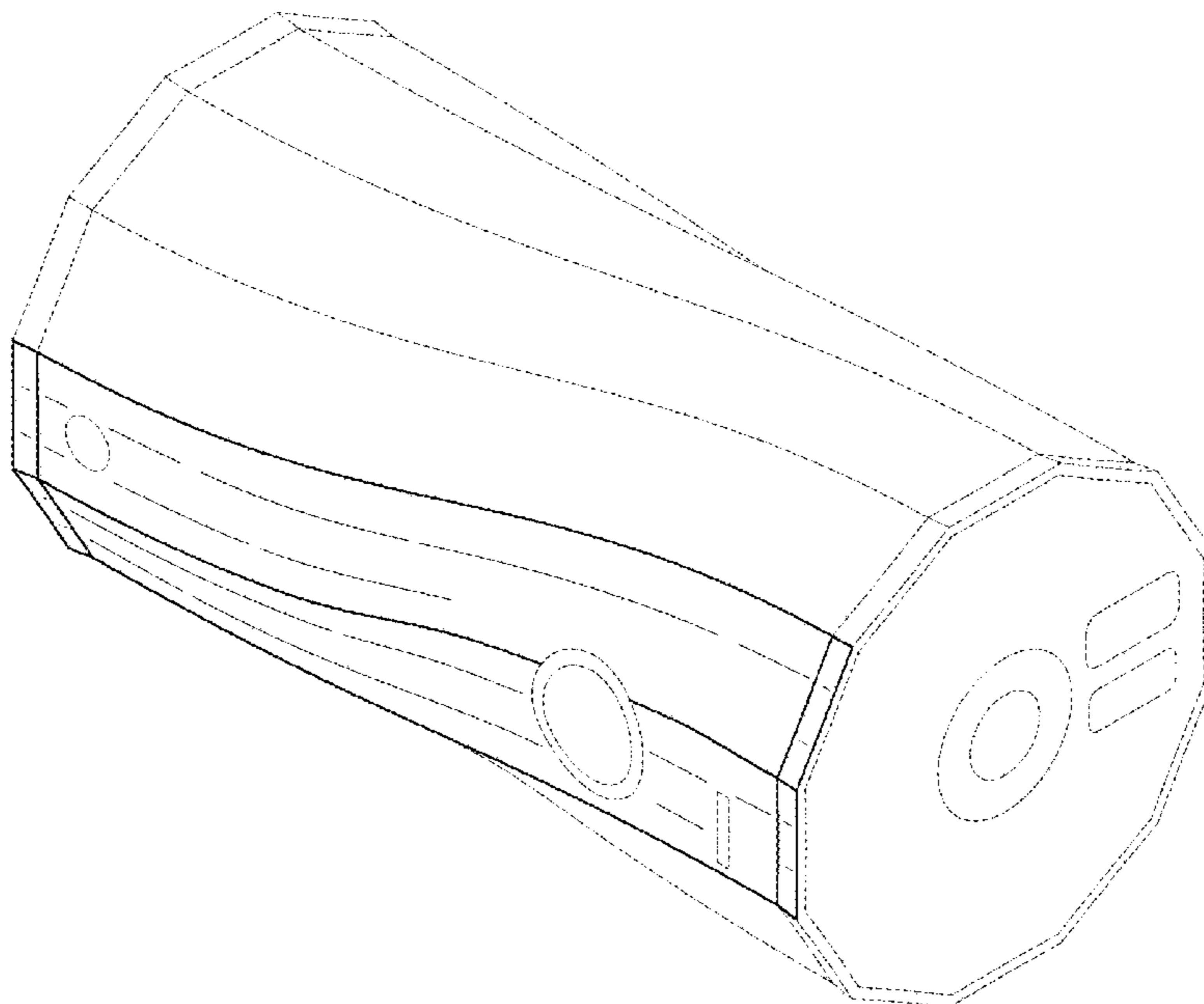
The ornamental design for a projector with functional module, as shown and described.

**DESCRIPTION**

FIG. 1 is a perspective view of a projector with functional module showing our new design;  
FIG. 2 is a front view thereof;  
FIG. 3 is a rear view thereof;  
FIG. 4 is a left side view thereof;  
FIG. 5 is a right side view thereof;  
FIG. 6 is a top view thereof; and,  
FIG. 7 is a bottom view thereof.

The dashed broken lines shown in the drawings illustrate portions of the projector with functional module that form no part of the claimed design.

**1 Claim, 4 Drawing Sheets**



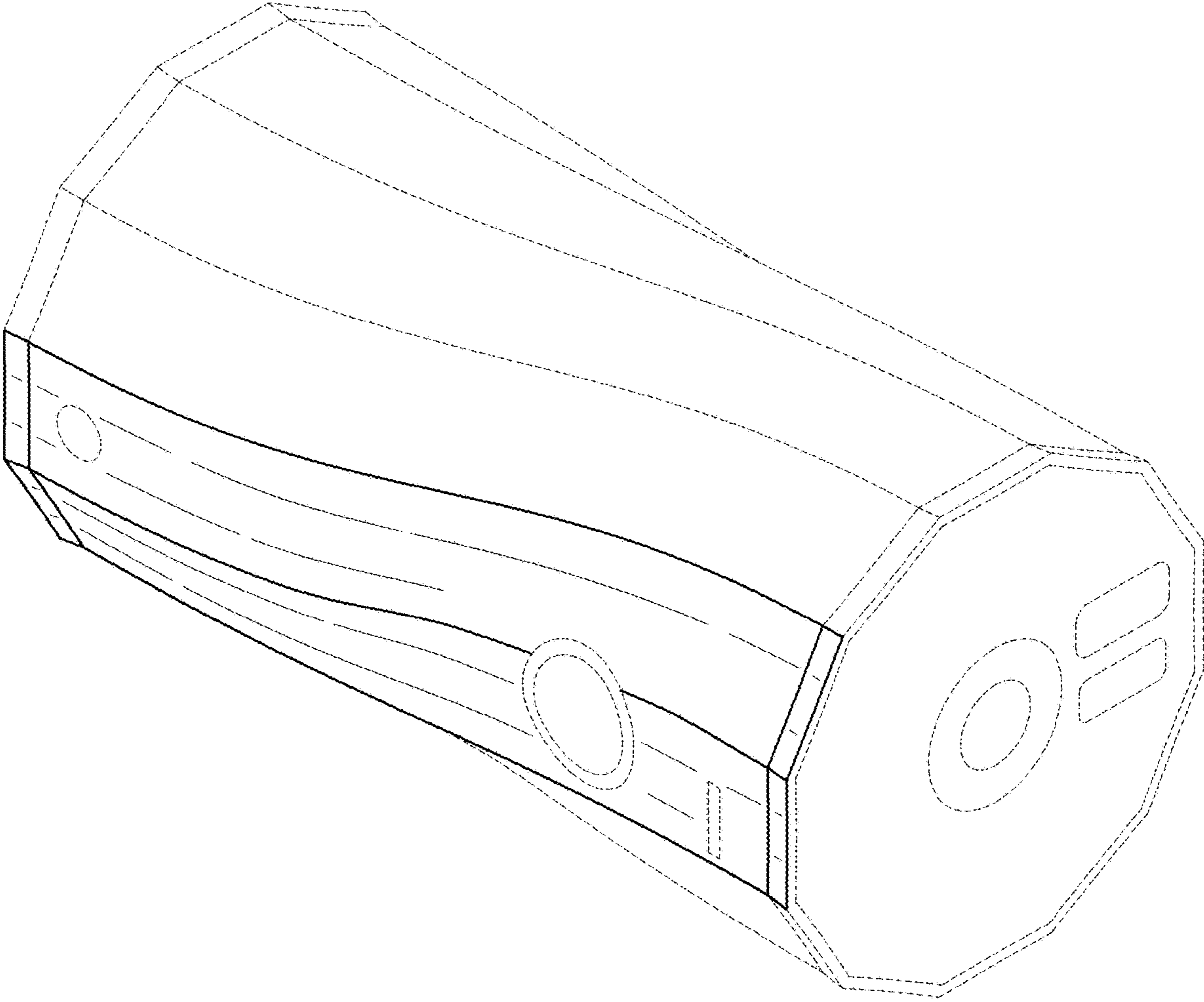


FIG. 1

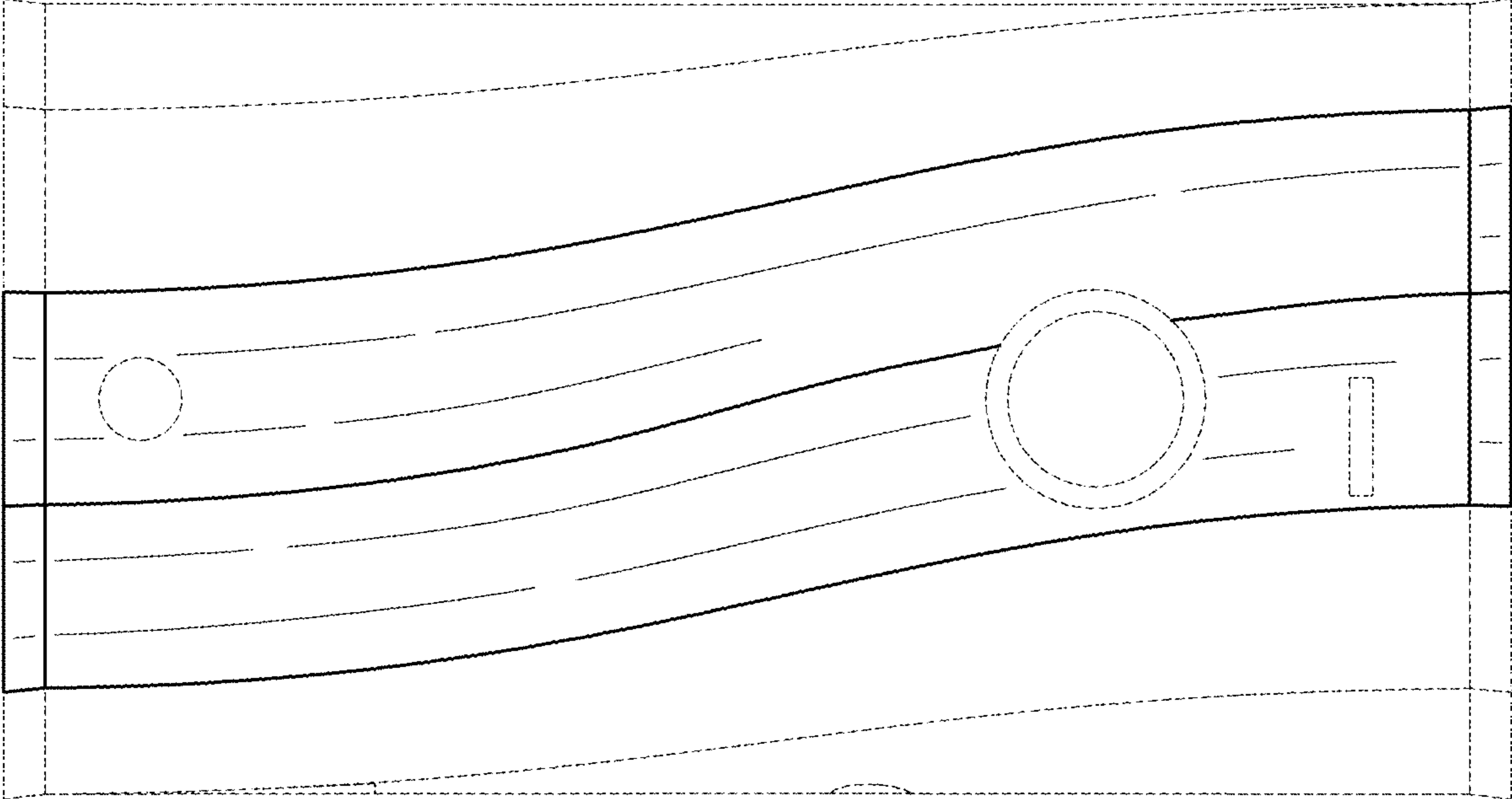


FIG. 2

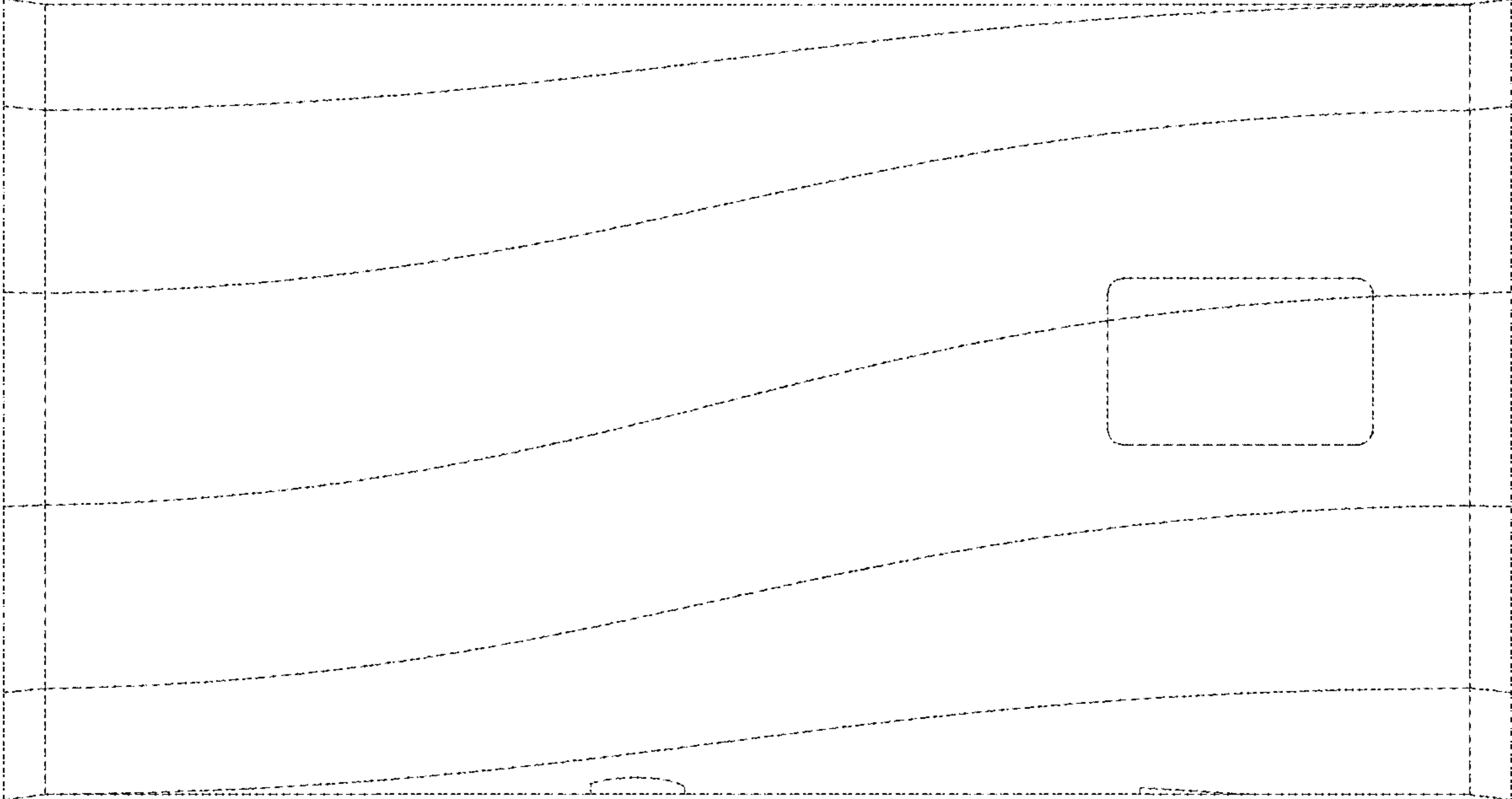


FIG. 3

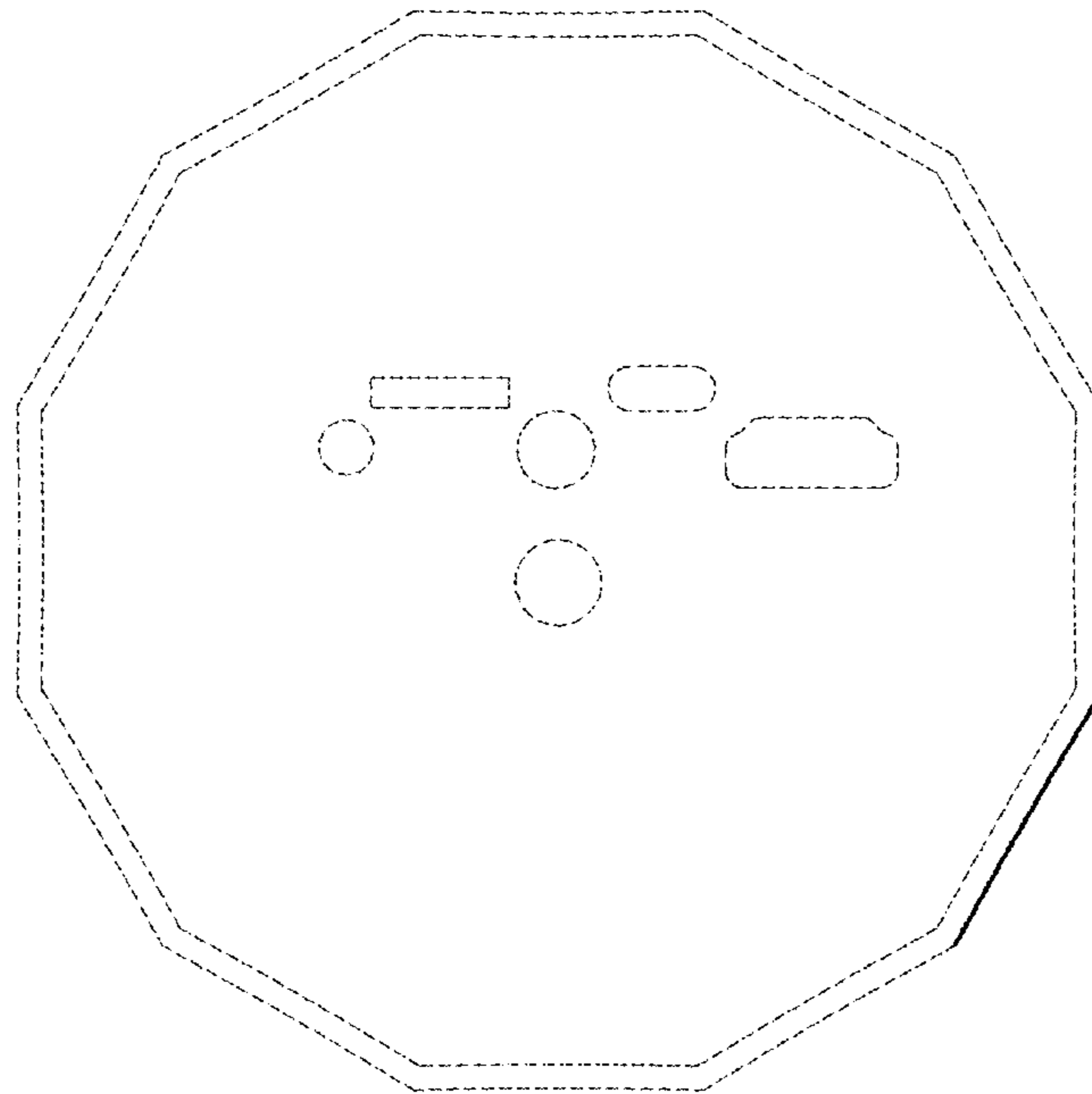


FIG. 4

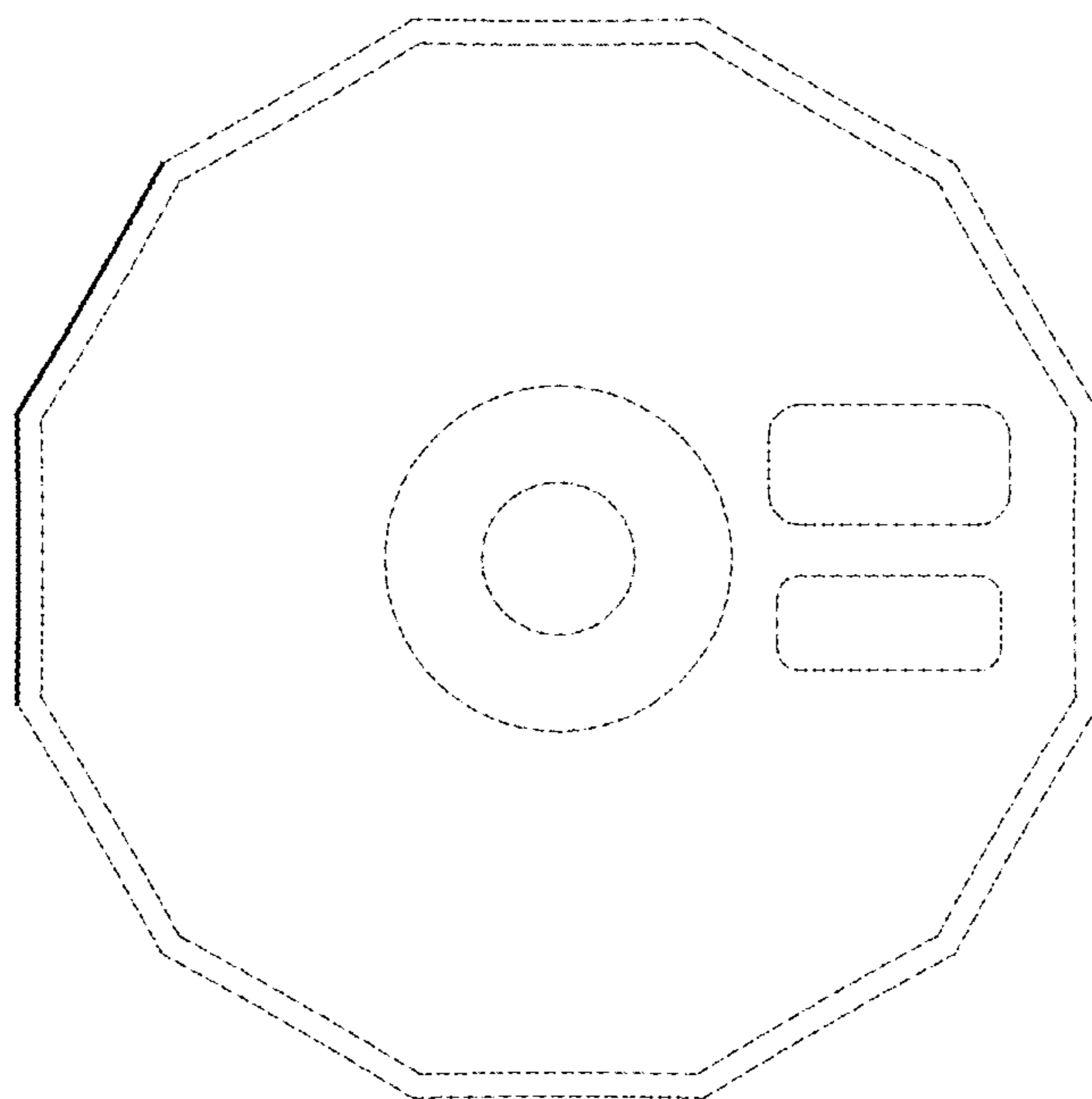


FIG. 5

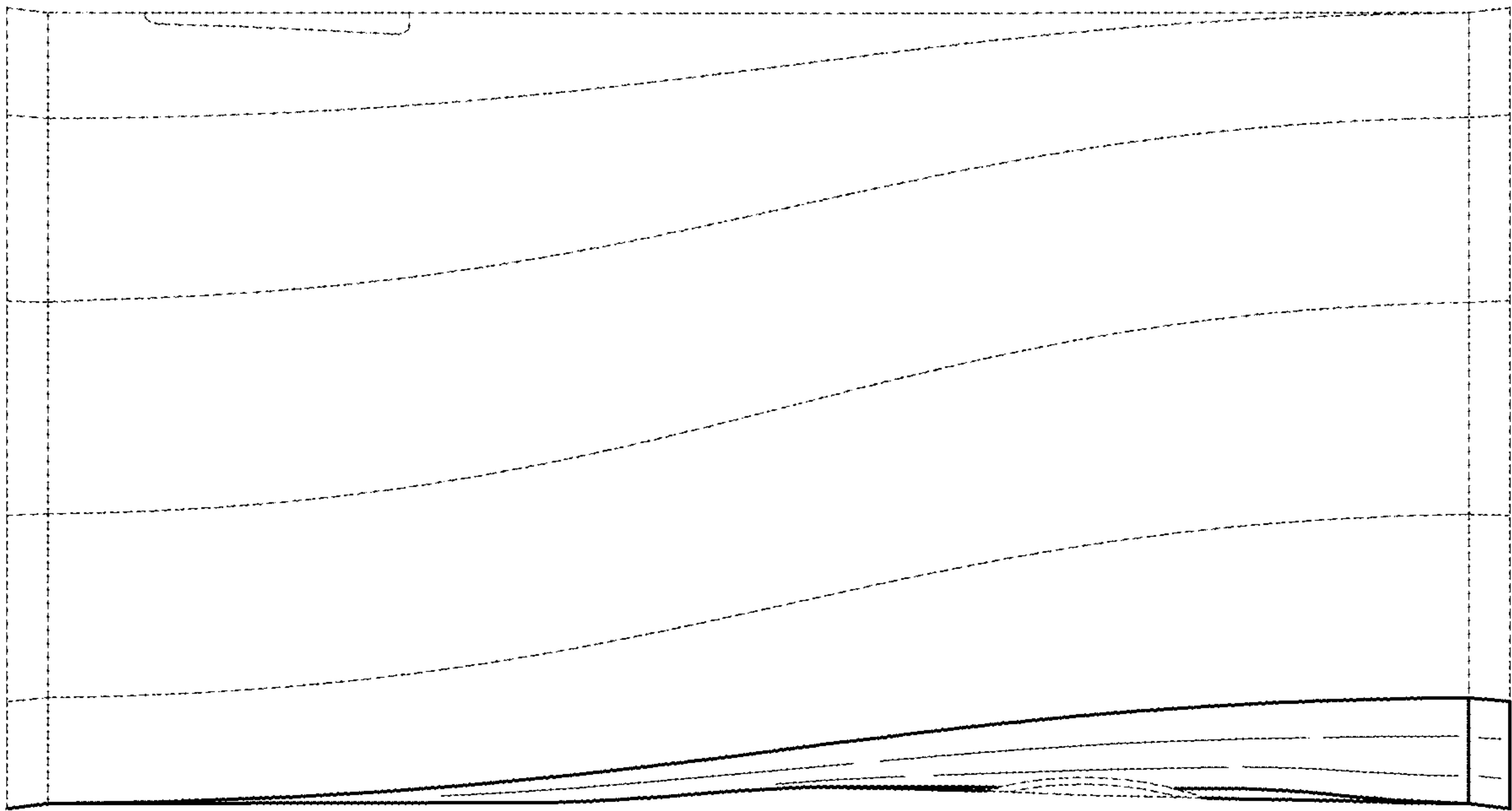


FIG. 6

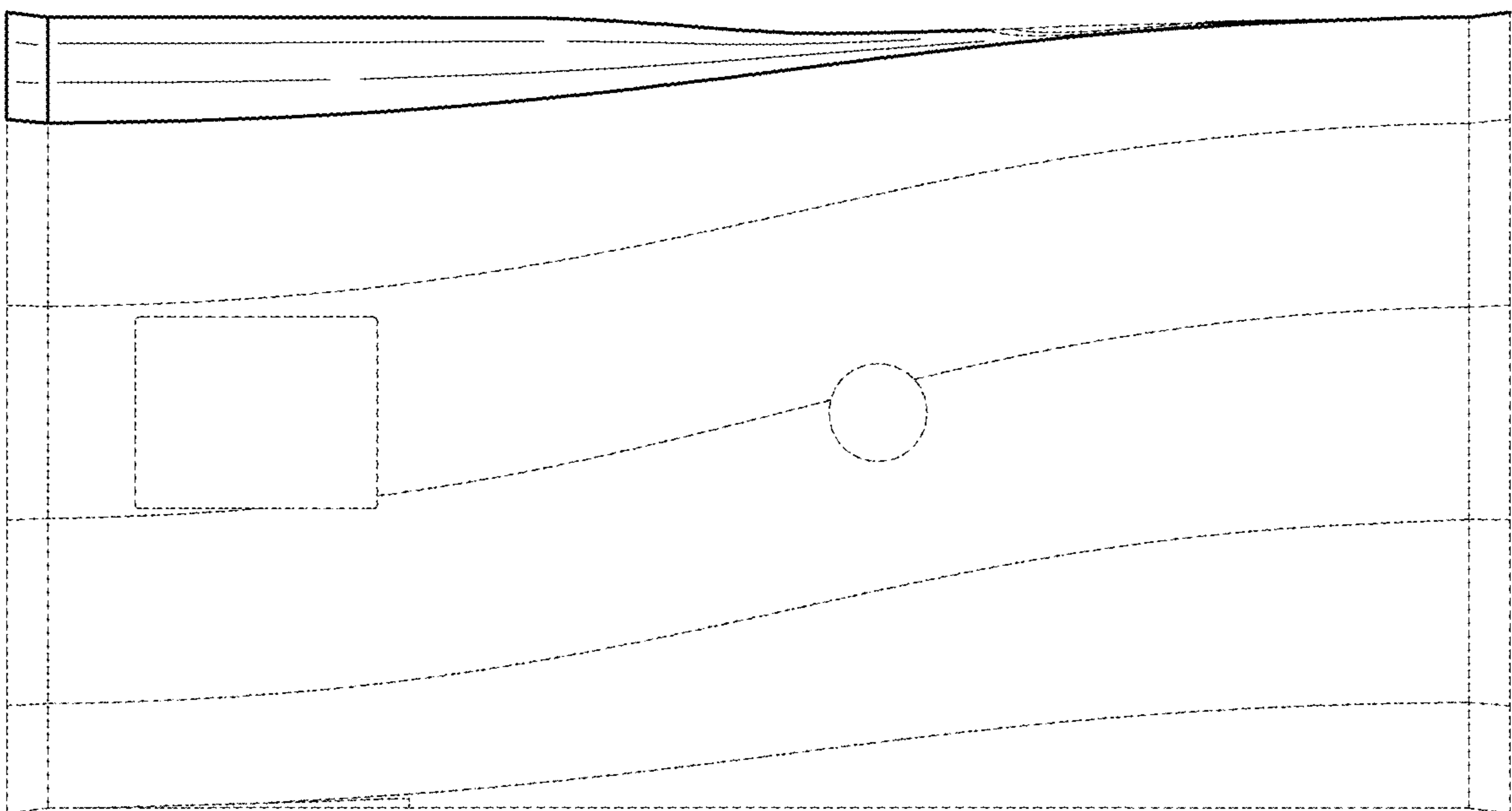


FIG. 7