



US00D947272S

(12) **United States Design Patent**  
**Deng et al.**

(10) **Patent No.:** **US D947,272 S**  
(45) **Date of Patent:** **\*\* Mar. 29, 2022**

(54) **PROJECTOR**

(71) Applicant: **Shenzhen Shadow Crown Technology Co., Ltd**, Guangdong (CN)

(72) Inventors: **Feiyue Deng**, Guangdong (CN); **Qiang Yu**, Guangdong (CN)

(73) Assignee: **Shenzhen Shadow Crown Technology Co., Ltd**, Shenzhen (CN)

(\*\*) Term: **15 Years**

(21) Appl. No.: **29/758,414**

(22) Filed: **Nov. 16, 2020**

(30) **Foreign Application Priority Data**

Oct. 30, 2020 (CN) ..... 202030652991.8

(51) **LOC (13) Cl.** ..... **16-02**

(52) **U.S. Cl.**  
USPC ..... **D16/230**

(58) **Field of Classification Search**  
USPC ..... D16/221, 225, 230-231, 234; D21/514  
CPC ..... G03B 21/145; G03B 21/14; G03B 21/16;  
G03B 21/00; G03B 21/001; G03B 21/003  
See application file for complete search history.

(56) **References Cited**

**U.S. PATENT DOCUMENTS**

D331,768 S \* 12/1992 Saeki ..... D16/225  
D454,360 S \* 3/2002 Shimizu ..... D16/230  
D463,476 S \* 9/2002 Takizawa ..... D16/225

D523,058 S \* 6/2006 On ..... D16/230  
D550,268 S \* 9/2007 Naruki ..... D16/221  
8,104,902 B2 \* 1/2012 Mao ..... G03B 21/145  
353/119  
D666,661 S \* 9/2012 Hong ..... D16/230  
D871,489 S \* 12/2019 Wan ..... D16/230  
D939,614 S \* 12/2021 Mao ..... D16/230  
D939,615 S \* 12/2021 Wu ..... D16/230

\* cited by examiner

*Primary Examiner* — Wan Laymon

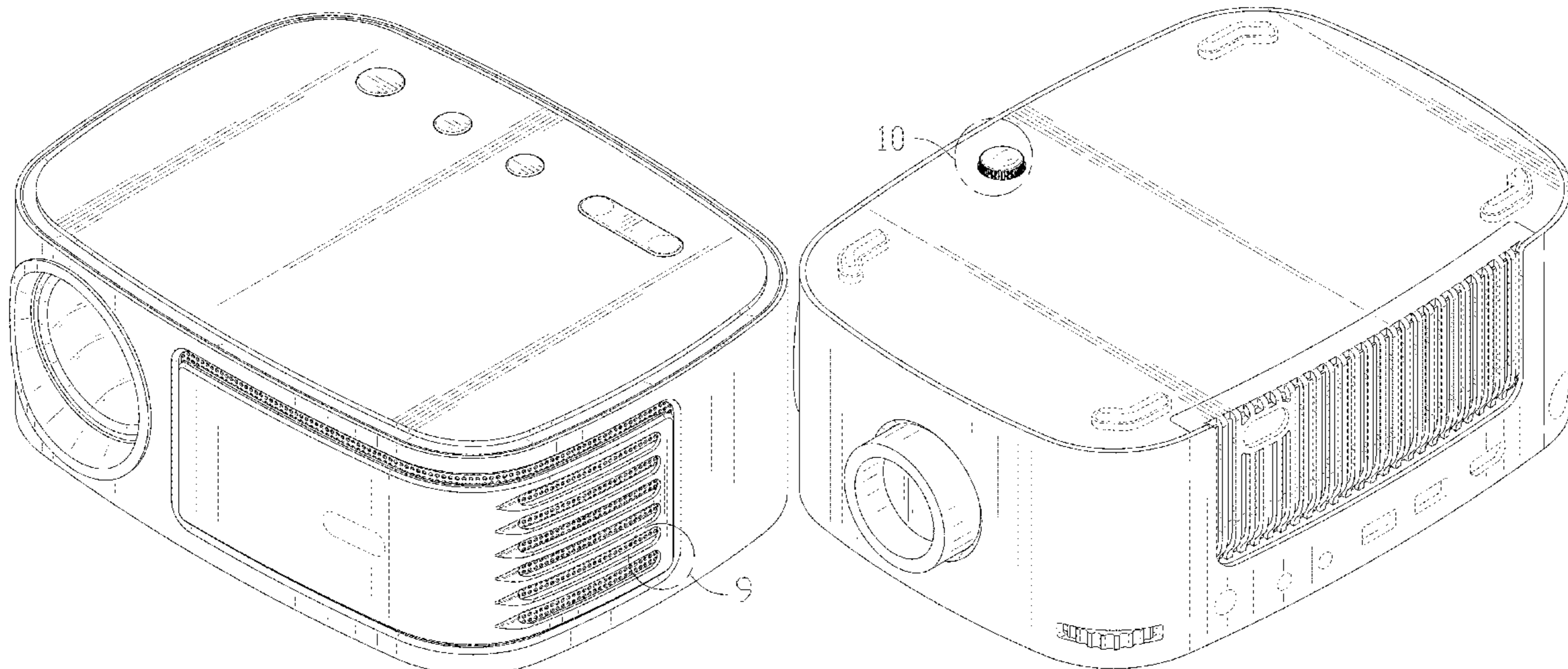
(57) **CLAIM**

The ornamental design for a projector, as shown and described.

**DESCRIPTION**

FIG. 1 is a top, front and right side perspective view of a projector showing our new design;  
FIG. 2 is a bottom, rear and left side perspective view thereof;  
FIG. 3 is a front elevational view thereof;  
FIG. 4 is a rear elevational view thereof;  
FIG. 5 is a left side view thereof;  
FIG. 6 is a right side view thereof;  
FIG. 7 is a top plan view thereof;  
FIG. 8 is a bottom plan view thereof;  
FIG. 9 is an enlarged view of portion 9 in FIG. 1;  
FIG. 10 is an enlarged view of portion 10 in FIG. 2; and,  
FIG. 11 is an enlarged view of portion 11 in FIG. 5.  
The broken lines in the drawings illustrate portions of the projector which form no part of the claimed design.  
The oblique shade lines in the drawings represent reflective surfaces.

**1 Claim, 11 Drawing Sheets**



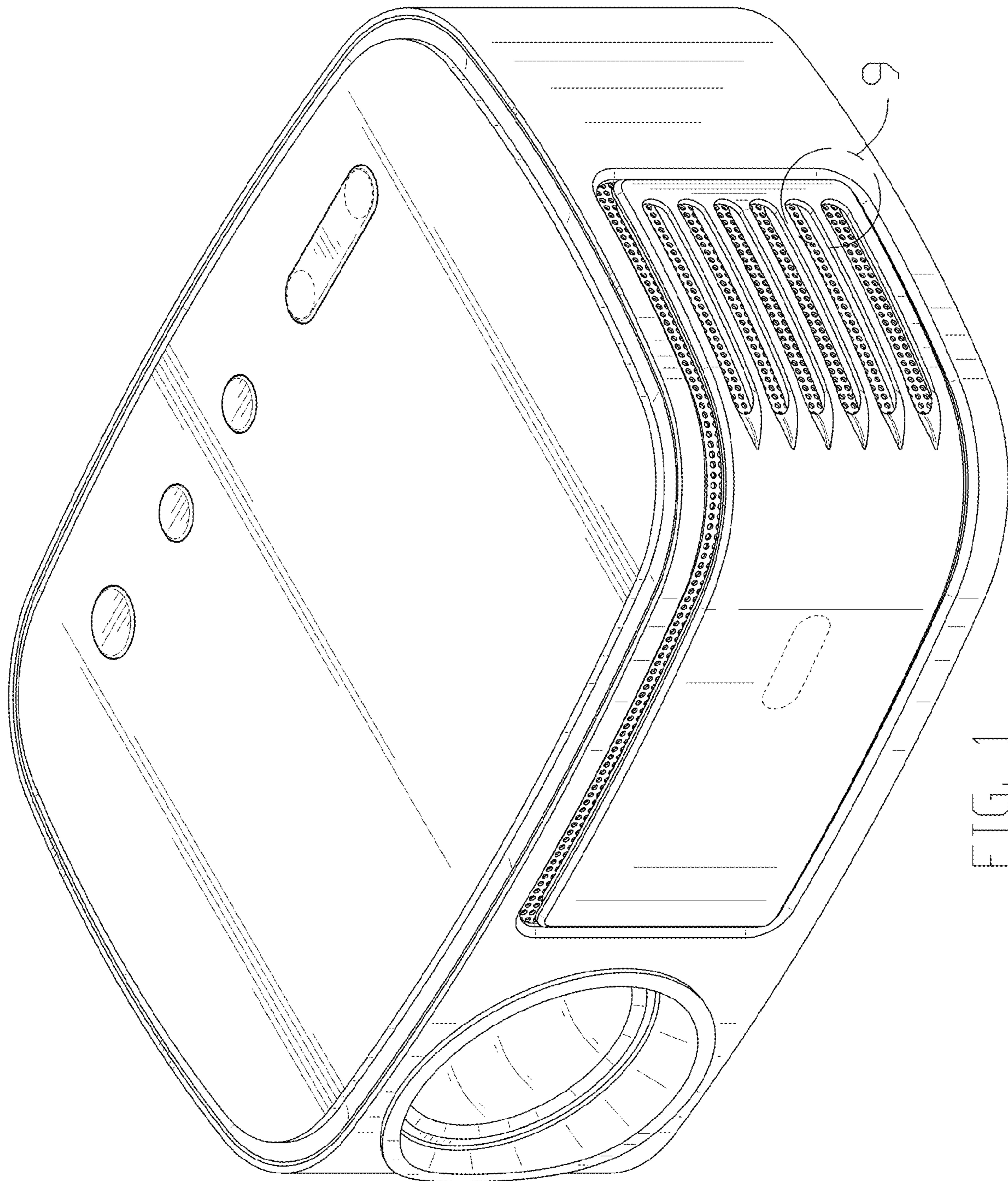
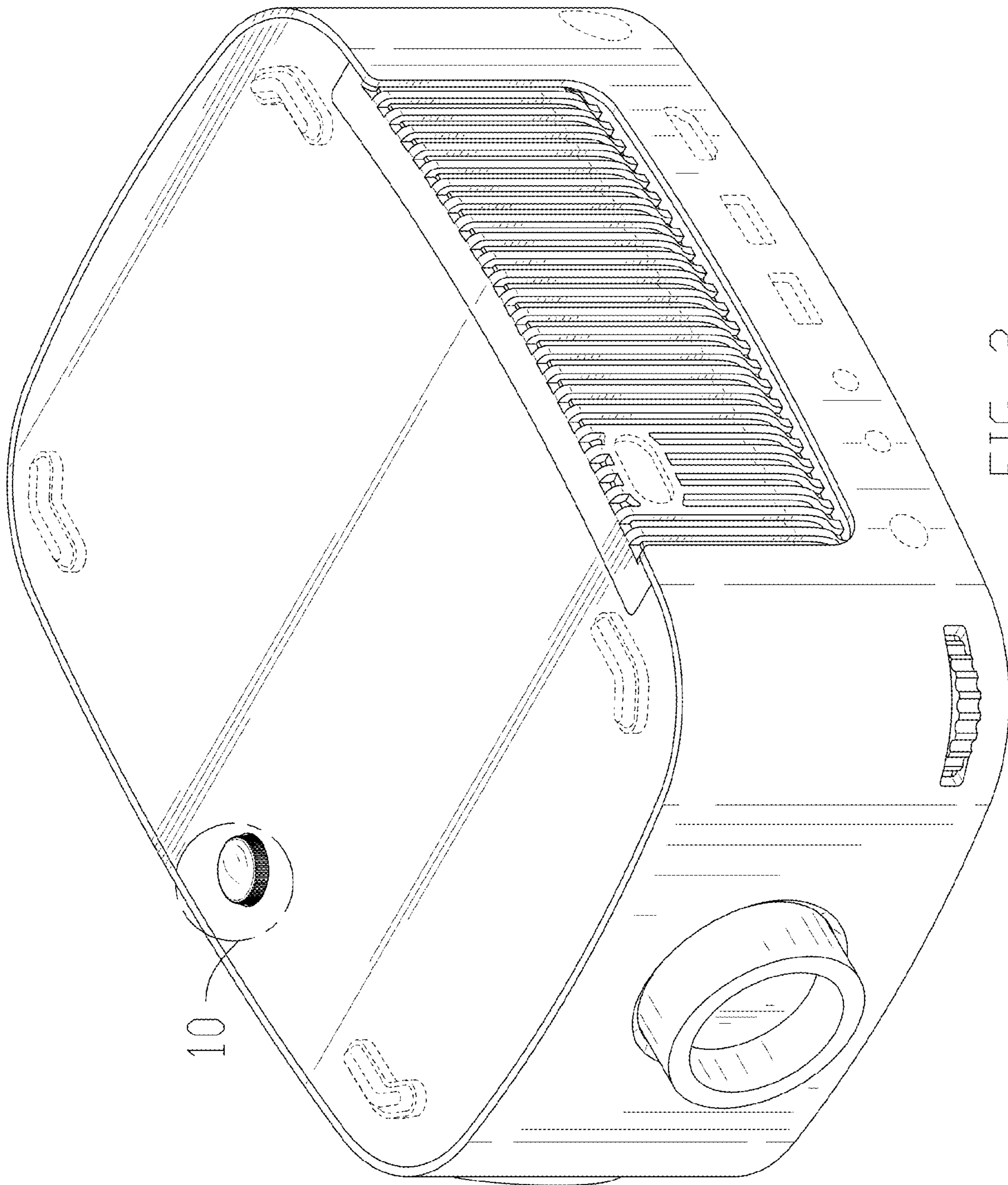


FIG. 1



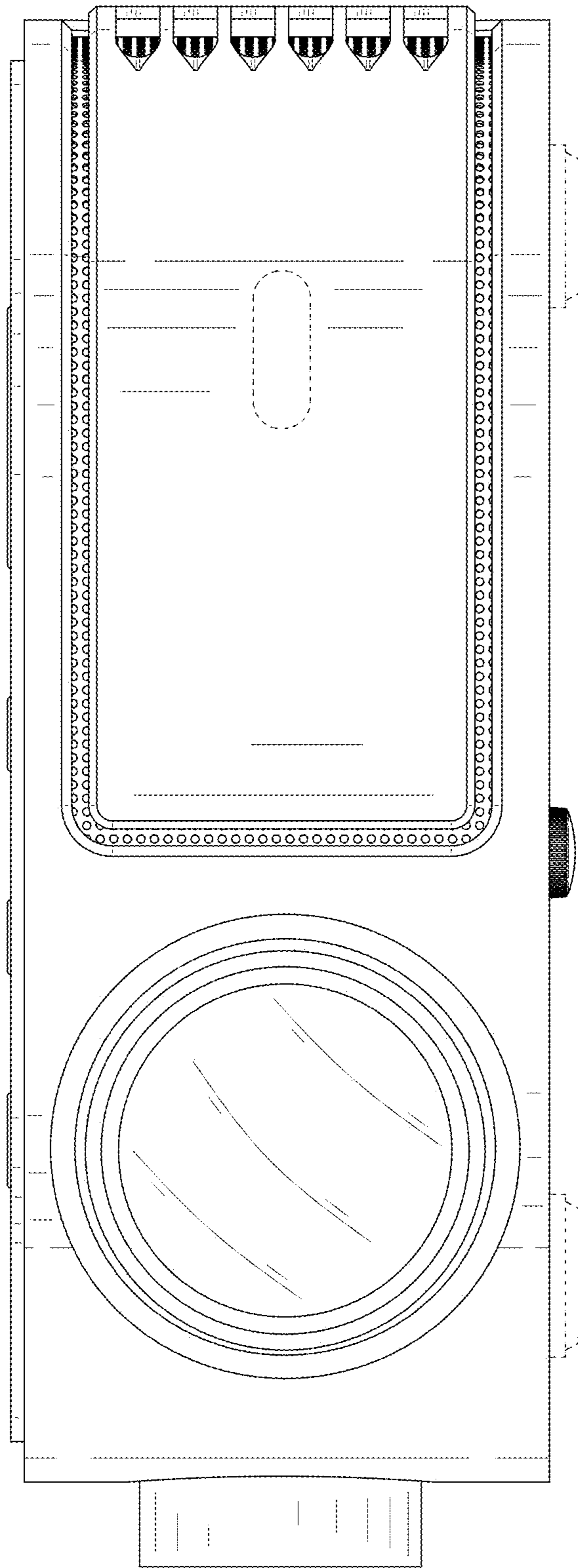


FIG. 3

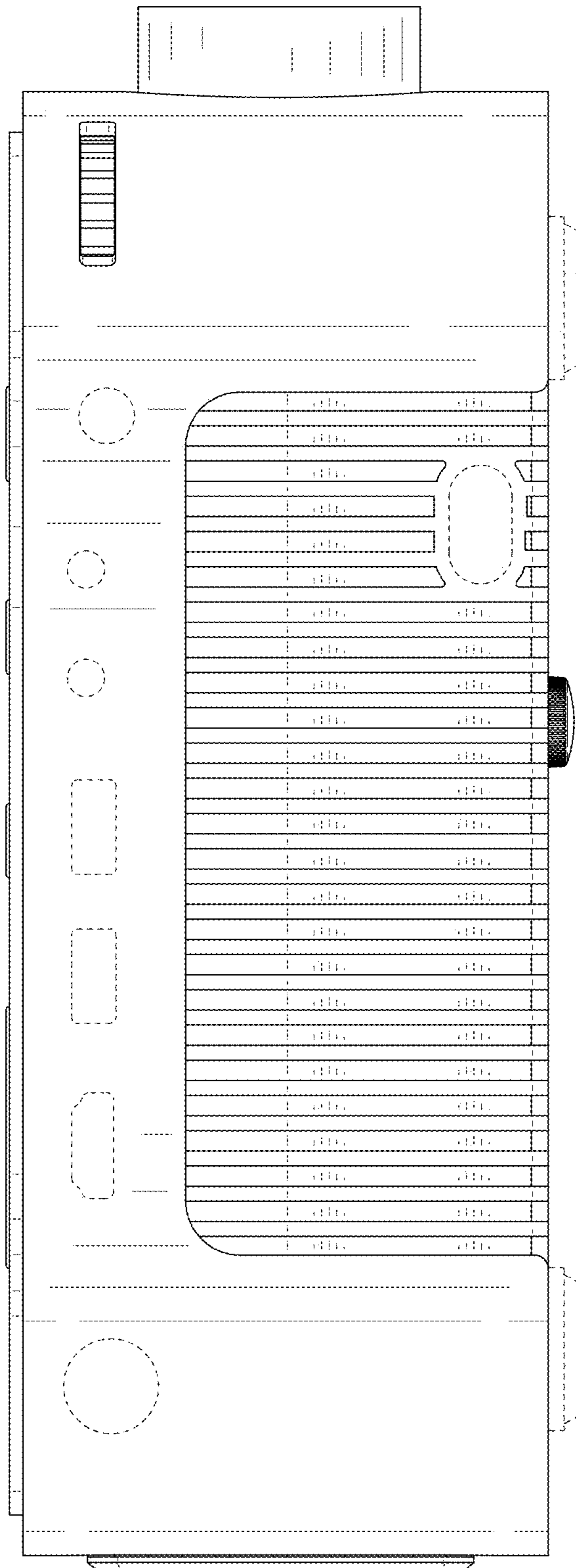


FIG. 4

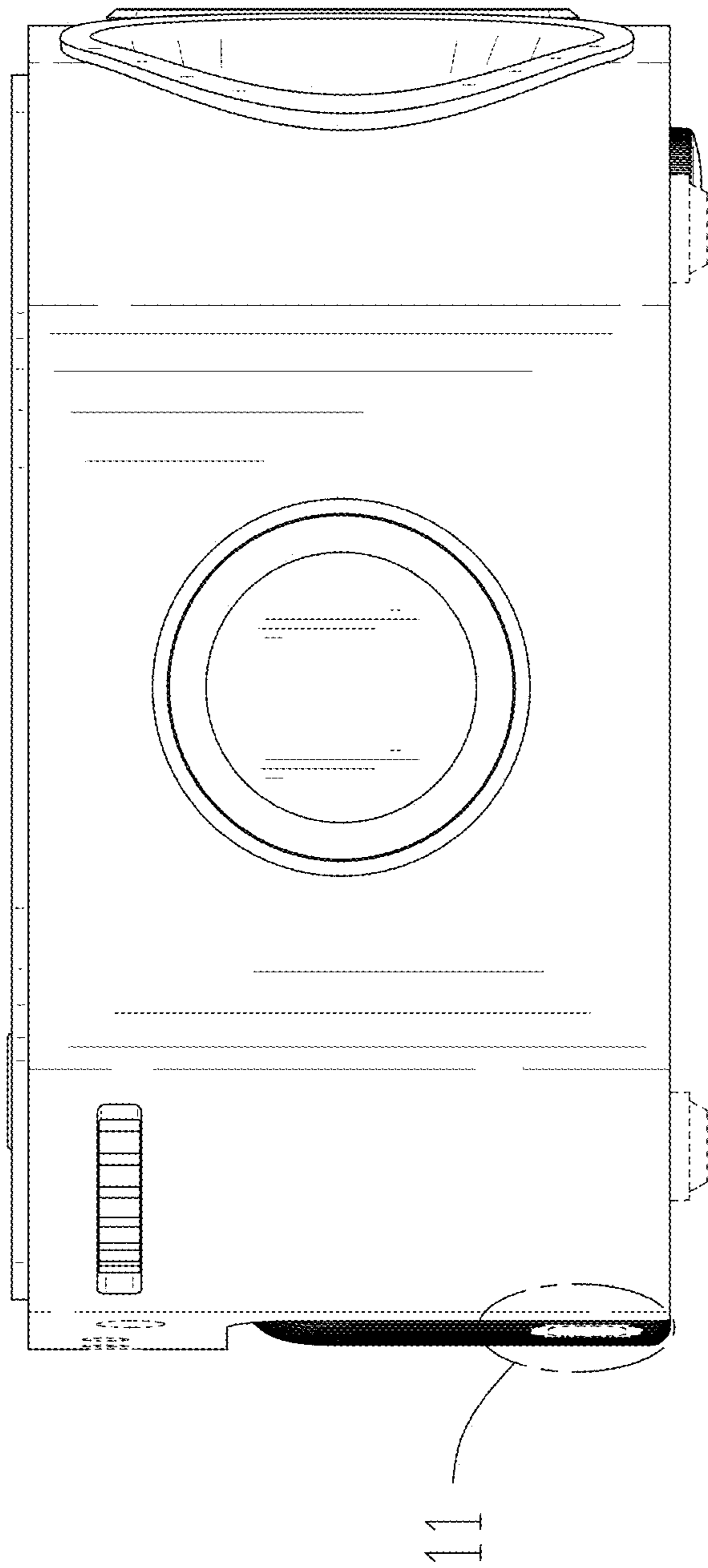


FIG. 5

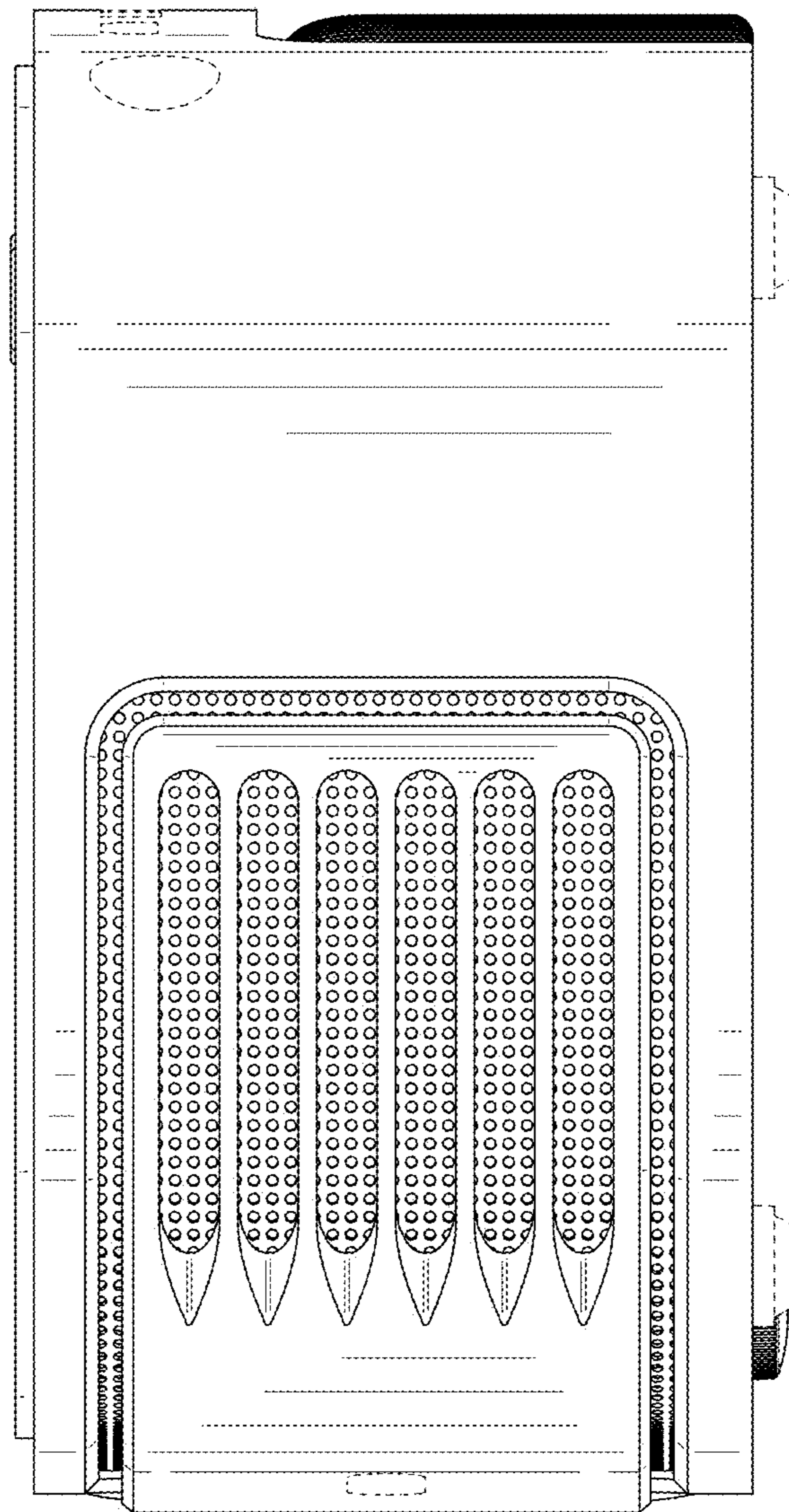


FIG. 6

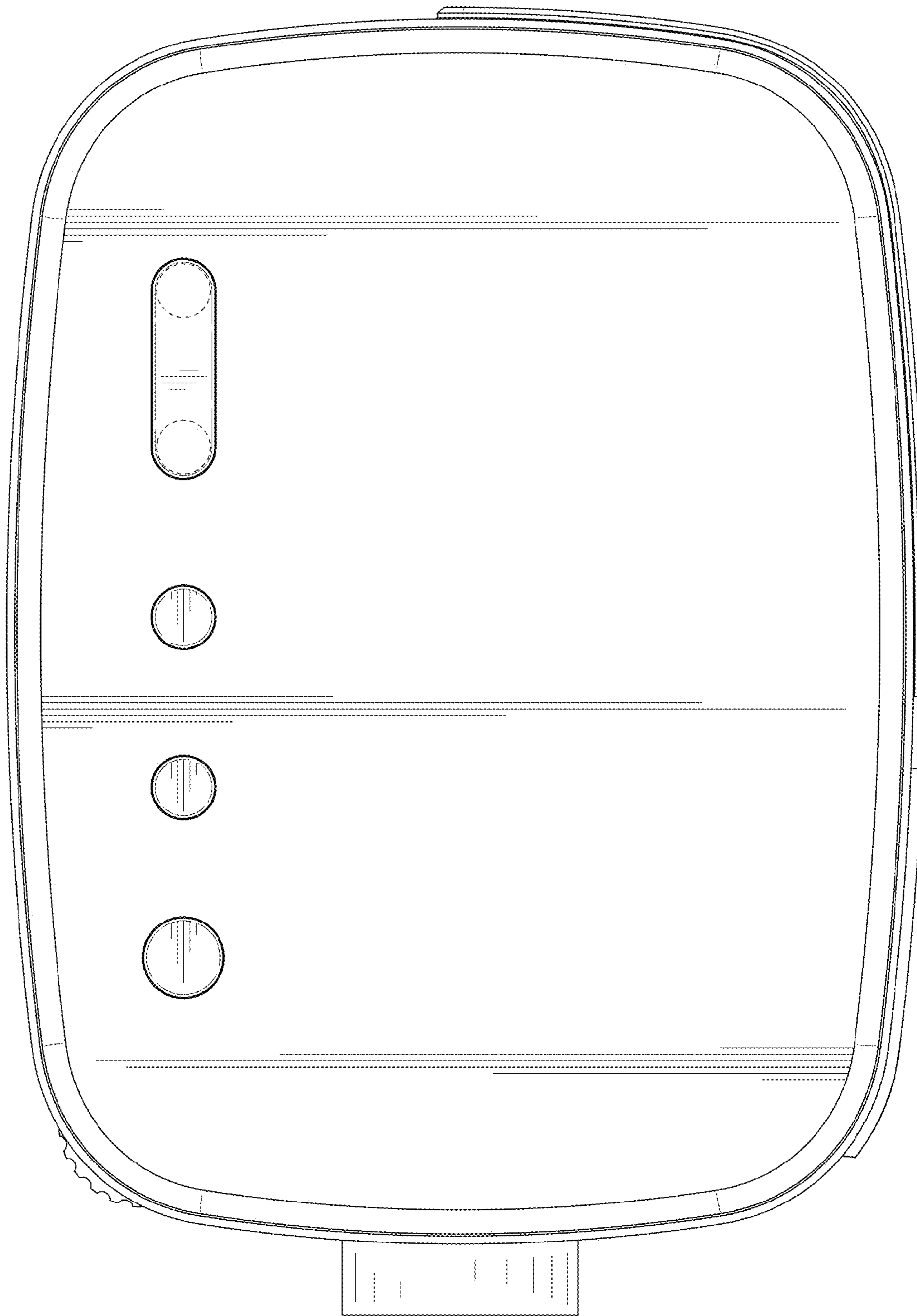


FIG. 7



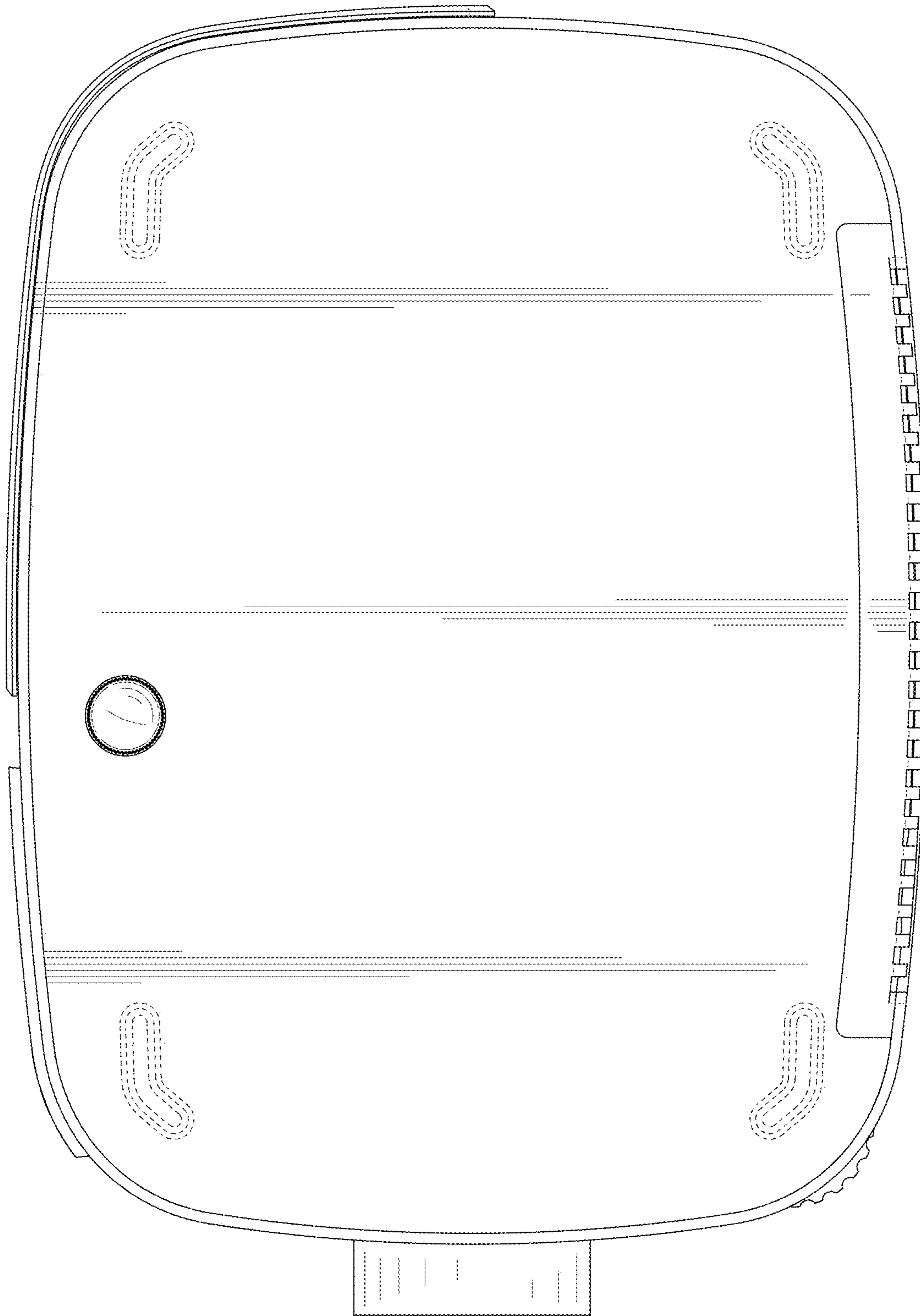


FIG. 8

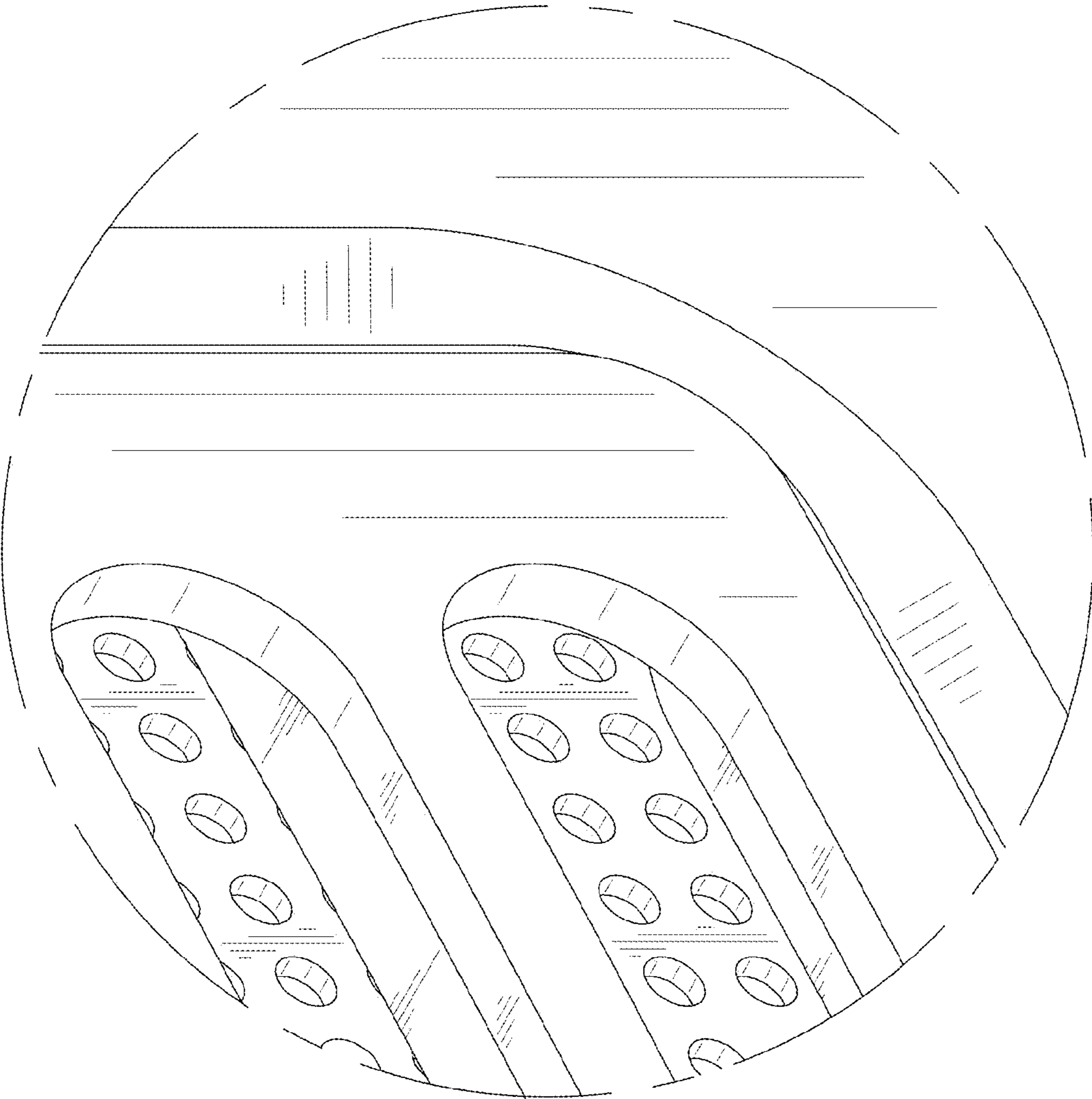


FIG. 9

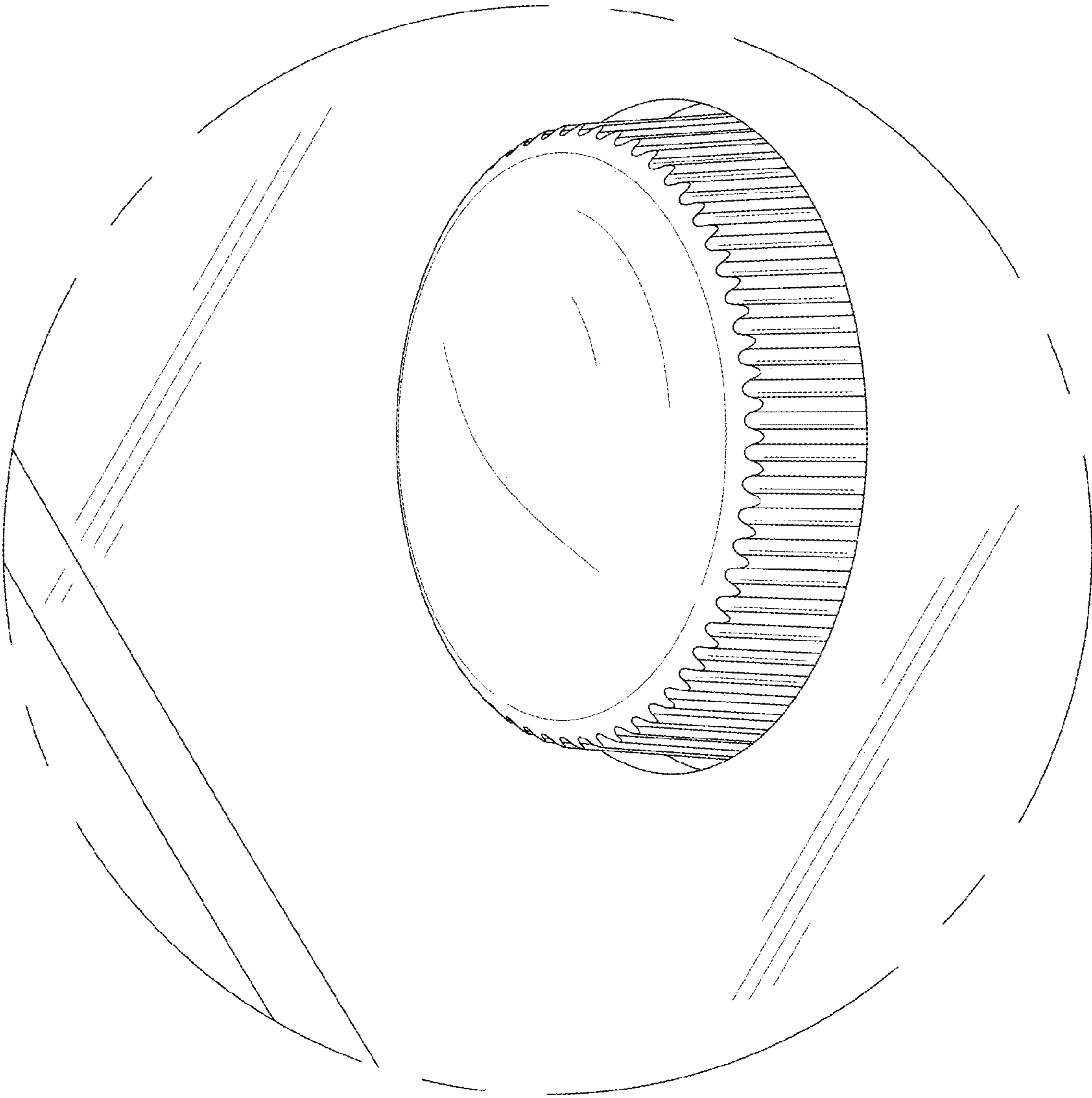


FIG. 10

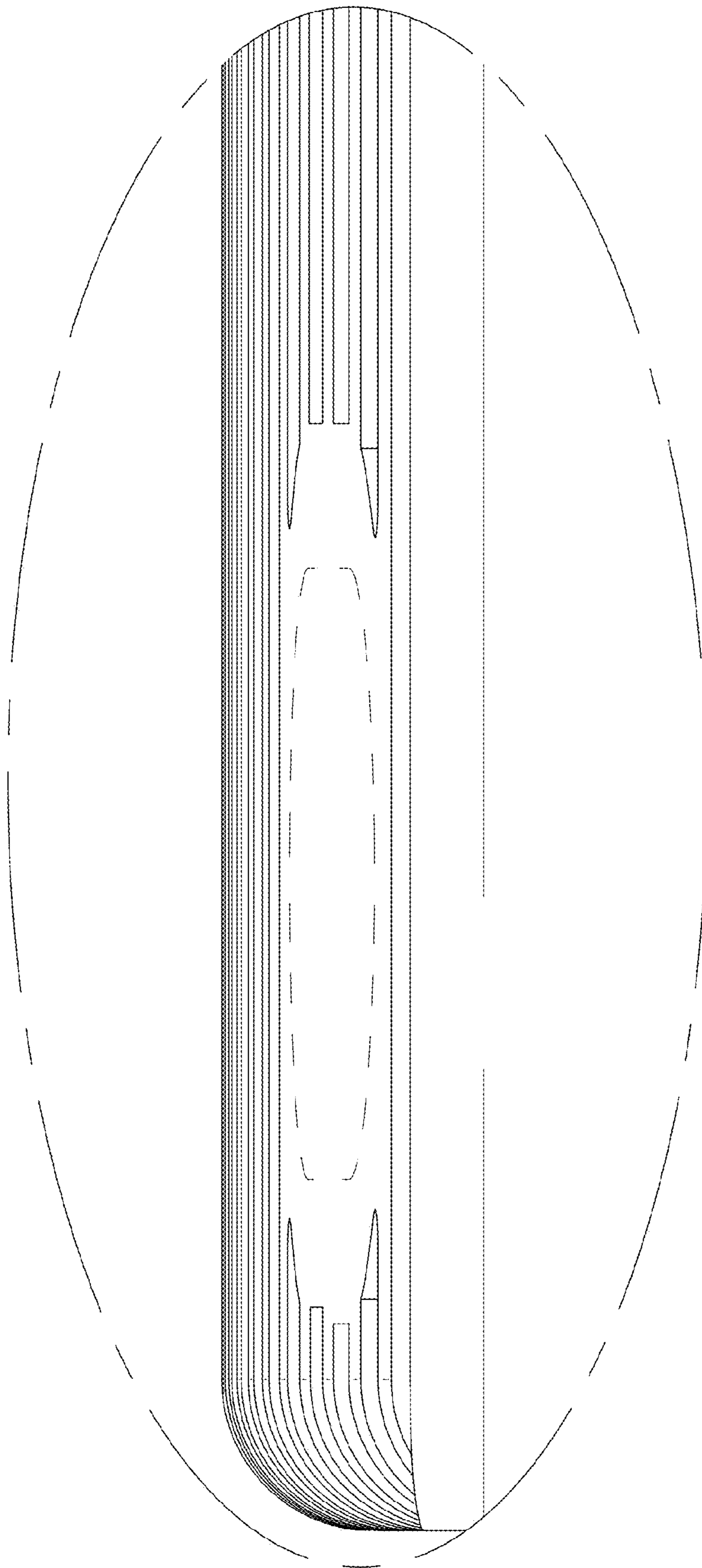


FIG. 11