



US00D947271S

(12) **United States Design Patent**
Chen et al.

(10) **Patent No.:** **US D947,271 S**

(45) **Date of Patent:** **** Mar. 29, 2022**

(54) **PHOTOGRAPHIC CAMERA**

(71) Applicants: **Xingchi Chen**, Shenzhen (CN); **Xiaohu Tang**, Shenzhen (CN)

(72) Inventors: **Xingchi Chen**, Shenzhen (CN); **Xiaohu Tang**, Shenzhen (CN)

(73) Assignee: **Shenzhen Addx Innovation Technology Co., Ltd**, Shenzhen (CN)

(**) Term: **15 Years**

(21) Appl. No.: **29/730,970**

(22) Filed: **Apr. 10, 2020**

(51) **LOC (13) Cl.** **16-01**

(52) **U.S. Cl.**
USPC **D16/218**; D16/203

(58) **Field of Classification Search**
USPC D16/200–204, 208, 218, 219; 348/143, 348/148, 151, 360, 373–376; 396/419, 396/427–429, 433, 529, 535, 537–541
CPC G03B 15/03; G03B 17/02; G03B 17/04; G03B 17/48; G03B 17/56; G03B 19/04; G08G 1/0175; H04N 5/2251; H04N 5/2252; H04N 5/2253; H04N 5/2254
See application file for complete search history.

(56) **References Cited**

U.S. PATENT DOCUMENTS

D575,316 S * 8/2008 Liu D16/202
D624,108 S * 9/2010 Wang D16/219

D649,573 S * 11/2011 Al D16/203
D692,473 S * 10/2013 Kawaguchi D16/202
D785,067 S * 4/2017 Ramones D16/203
D813,925 S * 3/2018 Park D16/203
D863,398 S * 10/2019 Huang D16/203
D863,404 S * 10/2019 Karpenko D16/218
D887,474 S * 6/2020 Yeh D16/203
D898,801 S * 10/2020 Wu D16/203
D906,398 S * 12/2020 Wang D16/203
D906,399 S * 12/2020 Wang D16/203
D912,122 S * 3/2021 McManigal D16/203

* cited by examiner

Primary Examiner — Ramzi Almatrahi

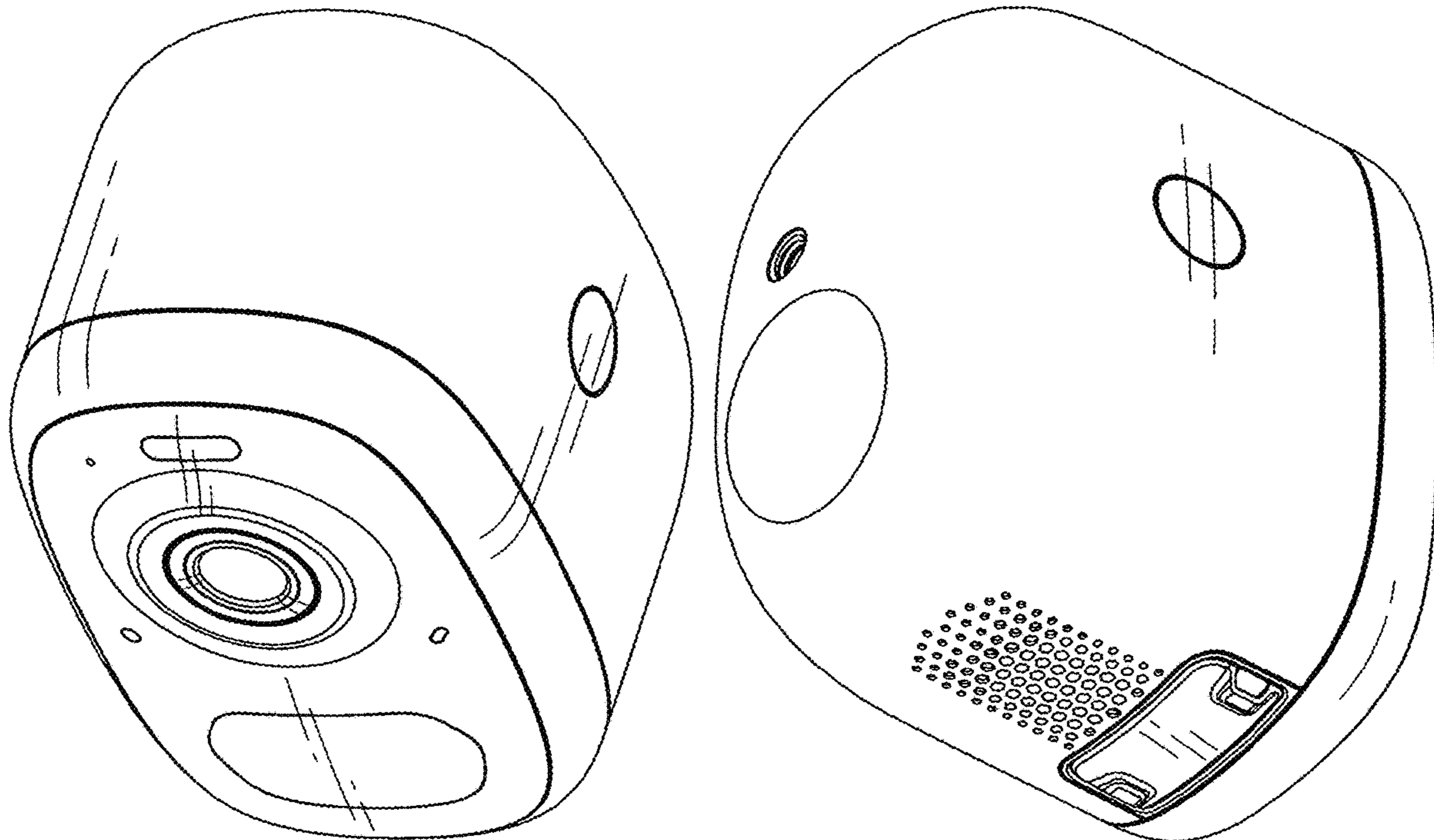
(57) **CLAIM**

The ornamental design for a photographic camera, as shown and described.

DESCRIPTION

FIG. 1 is a top, front and right side perspective view of a photographic camera showing our new design;
FIG. 2 is a front elevation view thereof;
FIG. 3 is a rear elevation view thereof;
FIG. 4 is a left side elevation view thereof;
FIG. 5 is a right side elevation view thereof;
FIG. 6 is a top plan view thereof;
FIG. 7 is a bottom plan view thereof; and,
FIG. 8 is a bottom, rear and left side perspective view thereof.

1 Claim, 8 Drawing Sheets



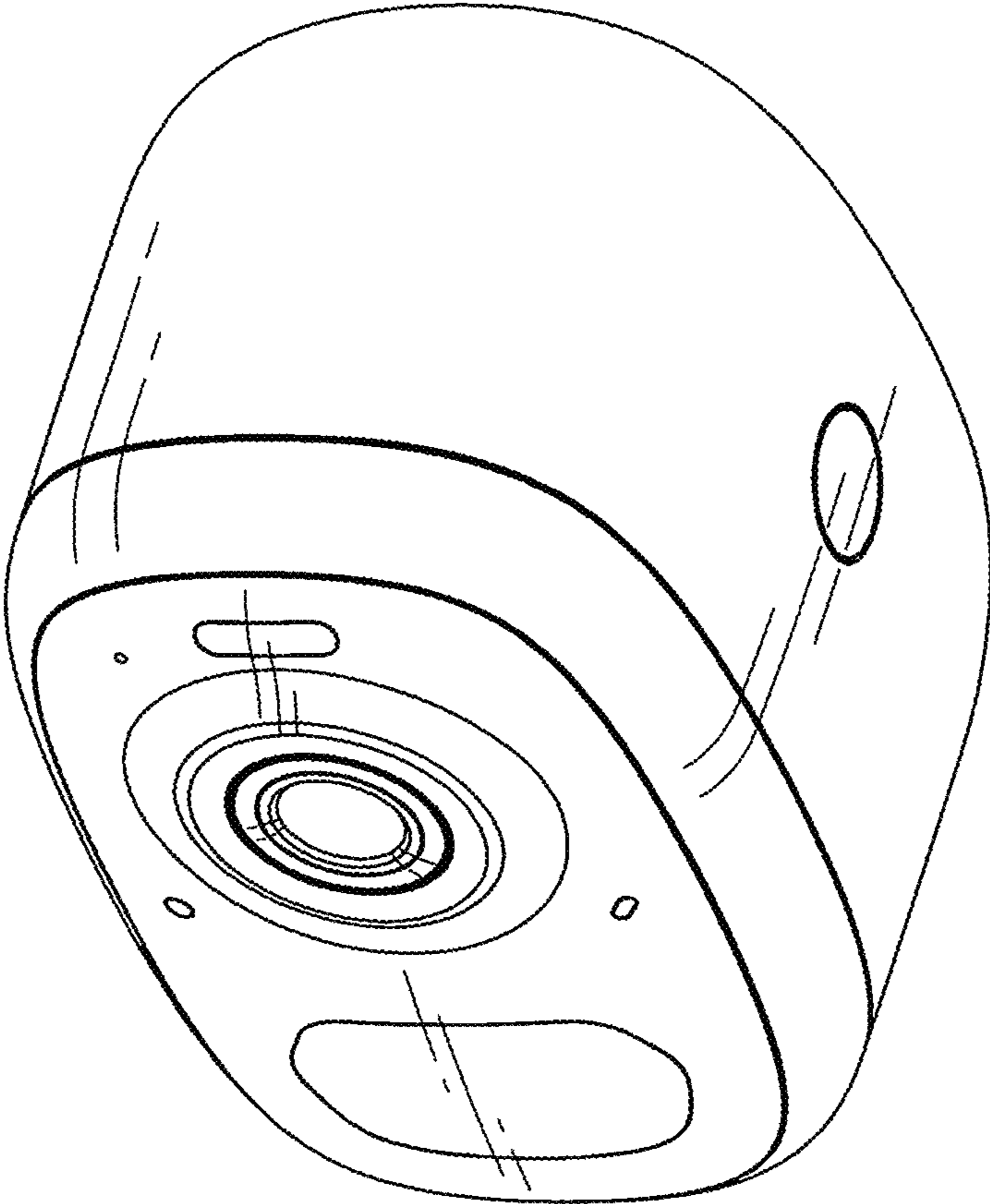


FIG. 1

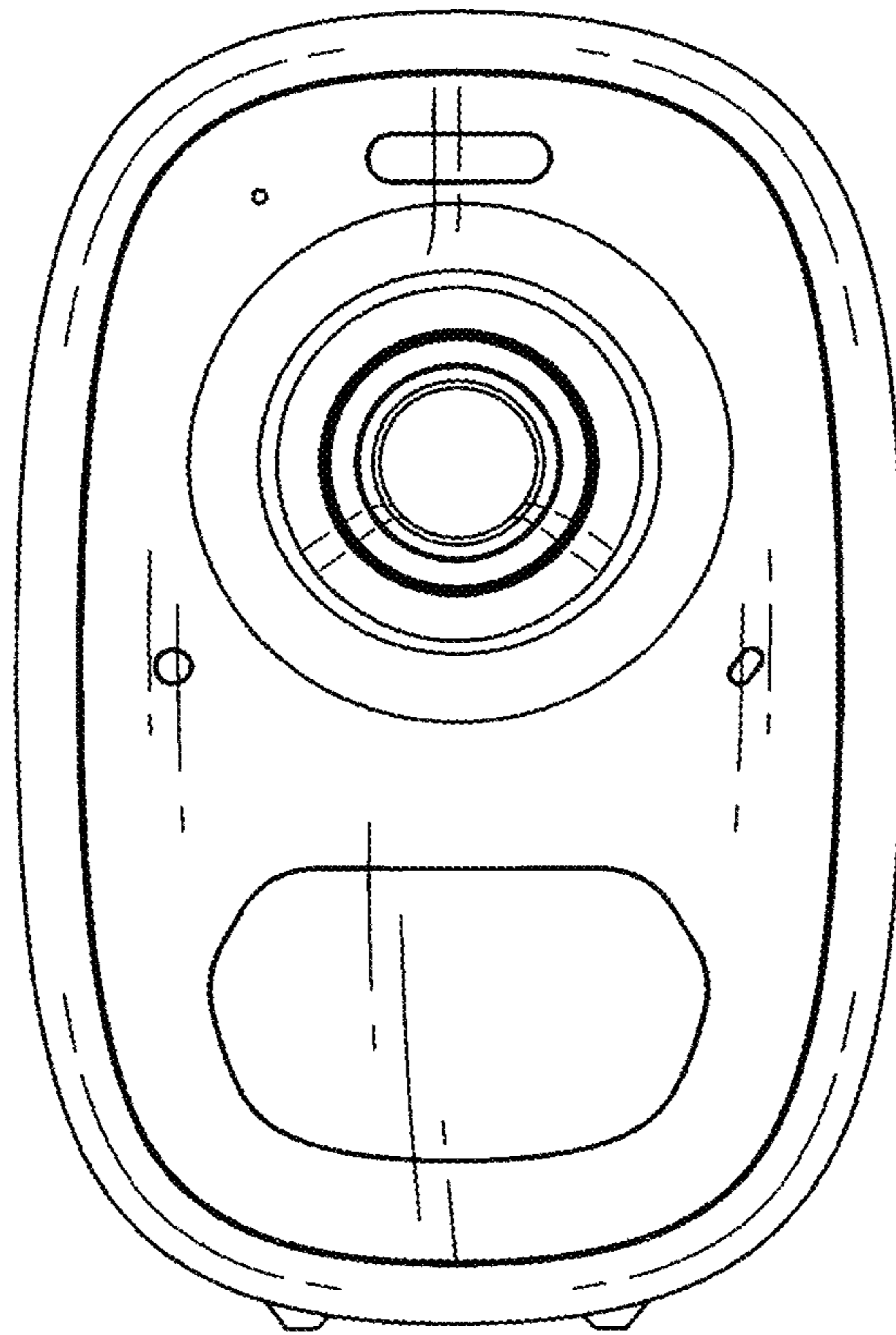


FIG. 2

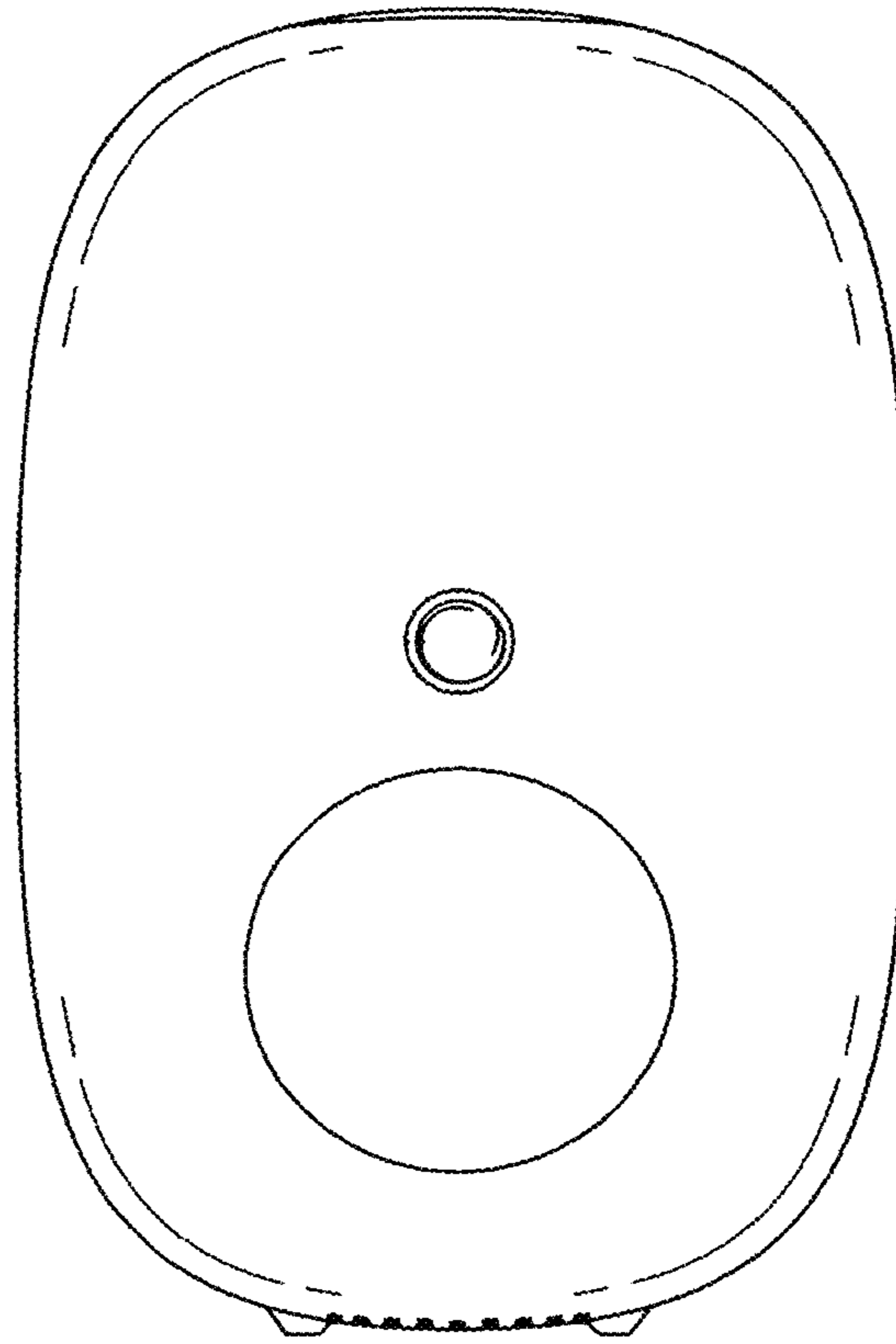


FIG. 3

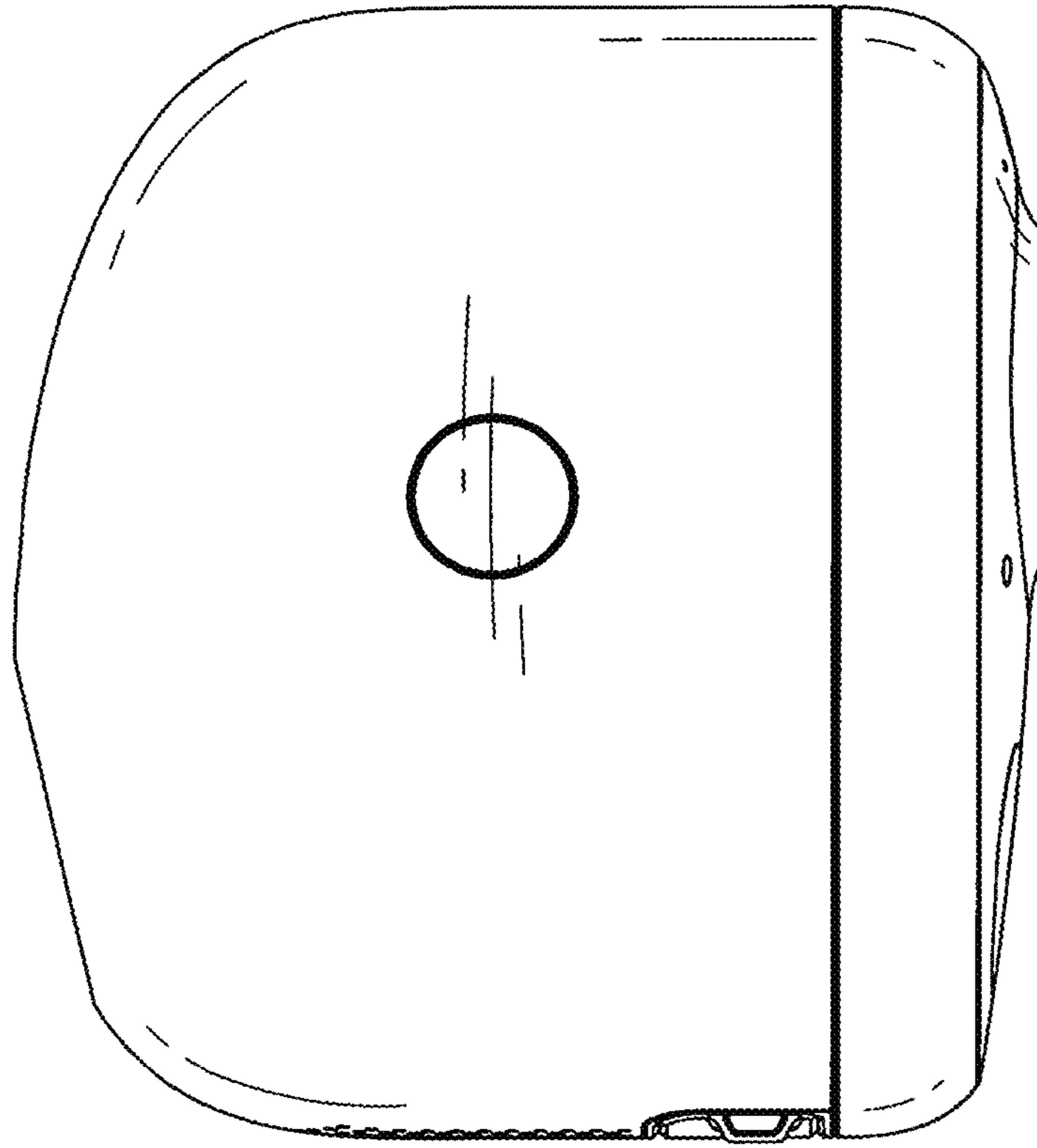


FIG. 4

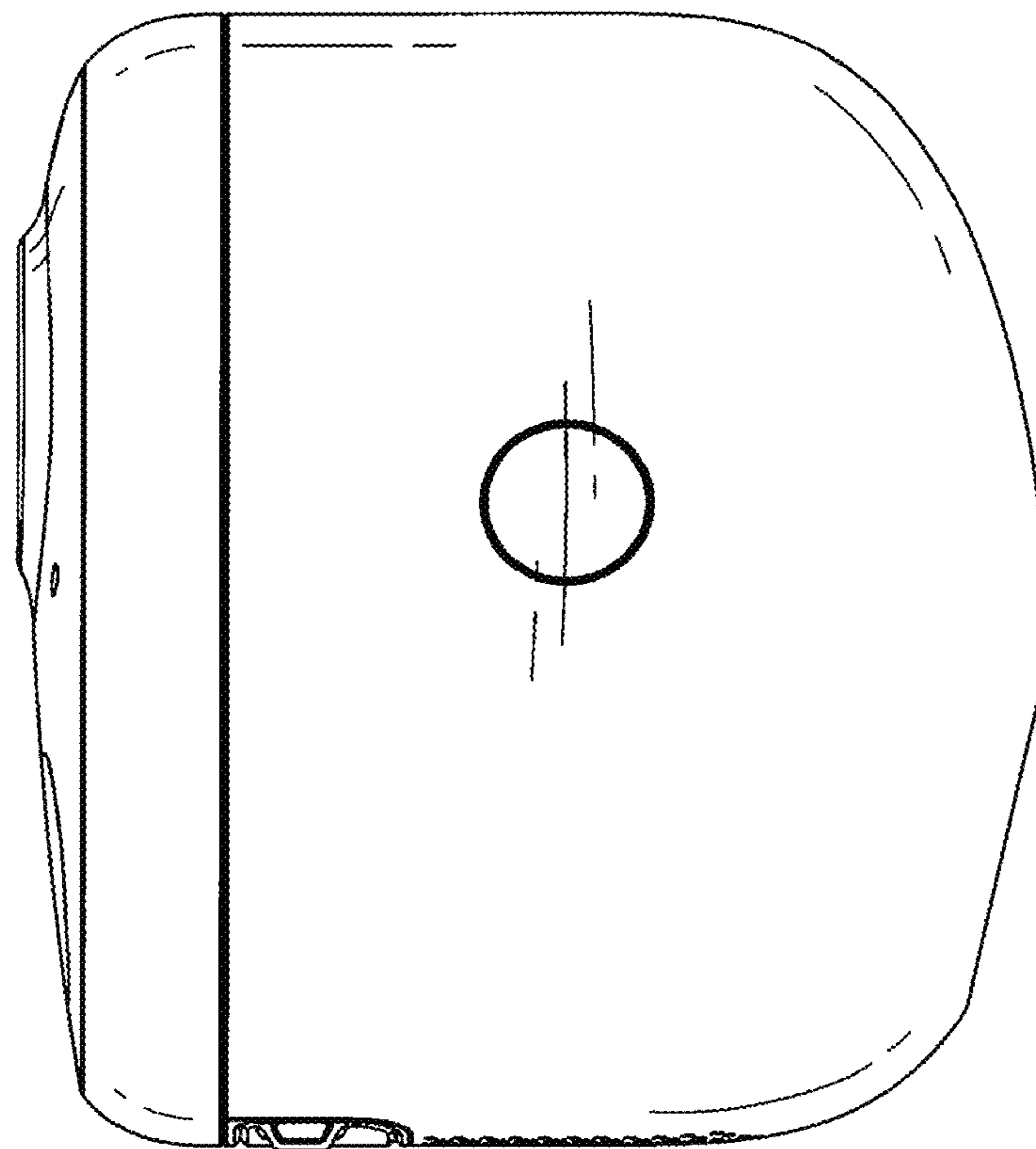


FIG. 5

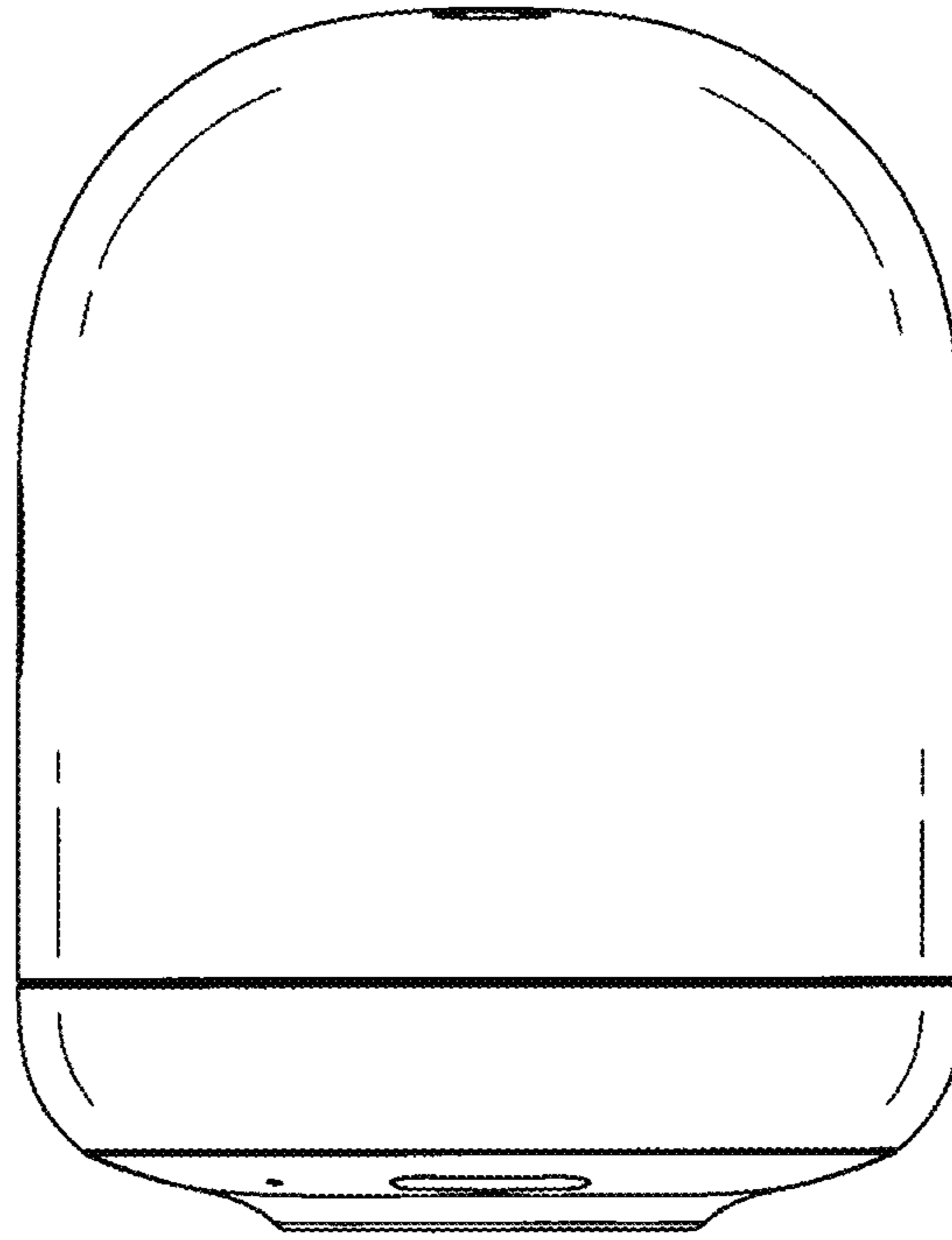


FIG. 6

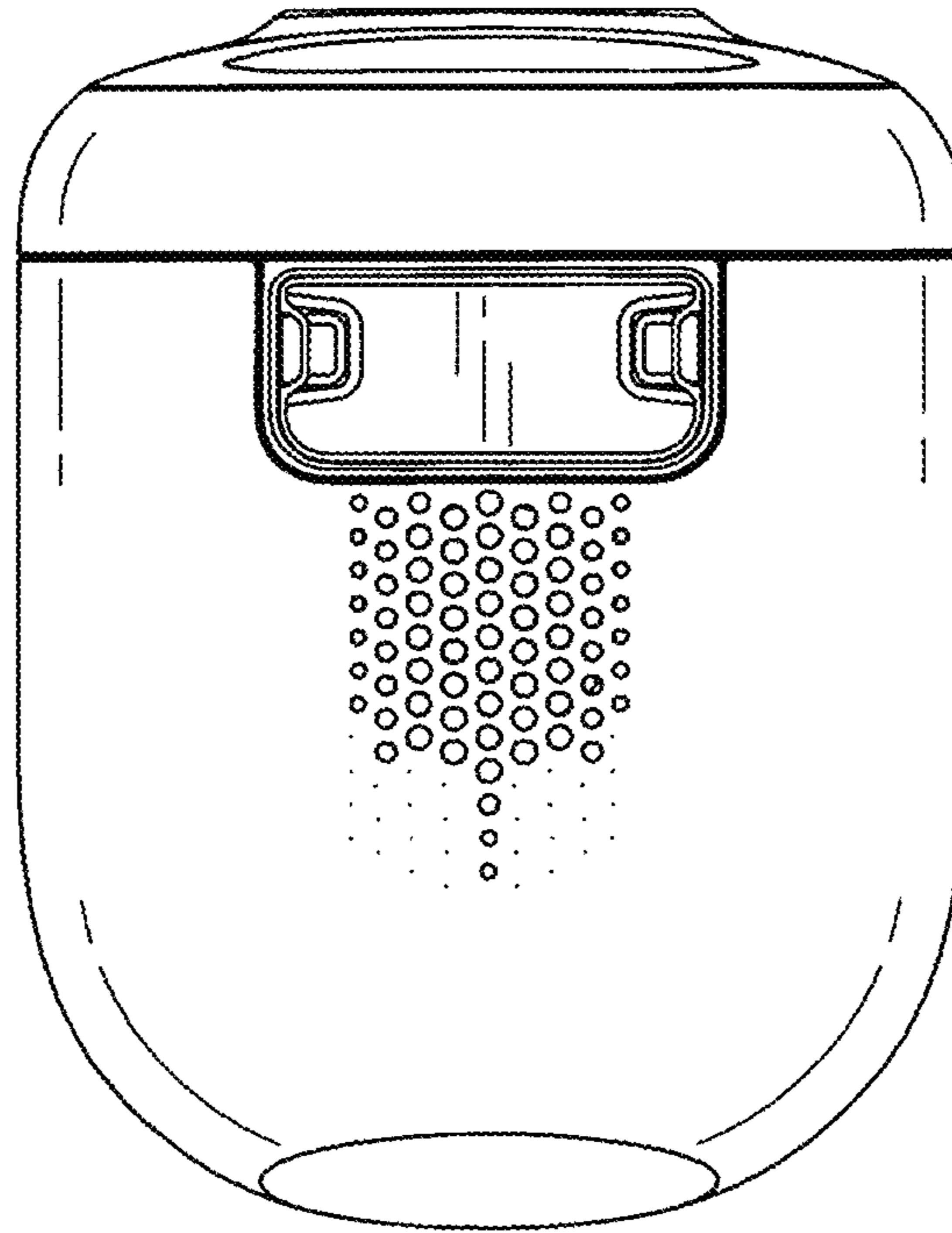


FIG. 7

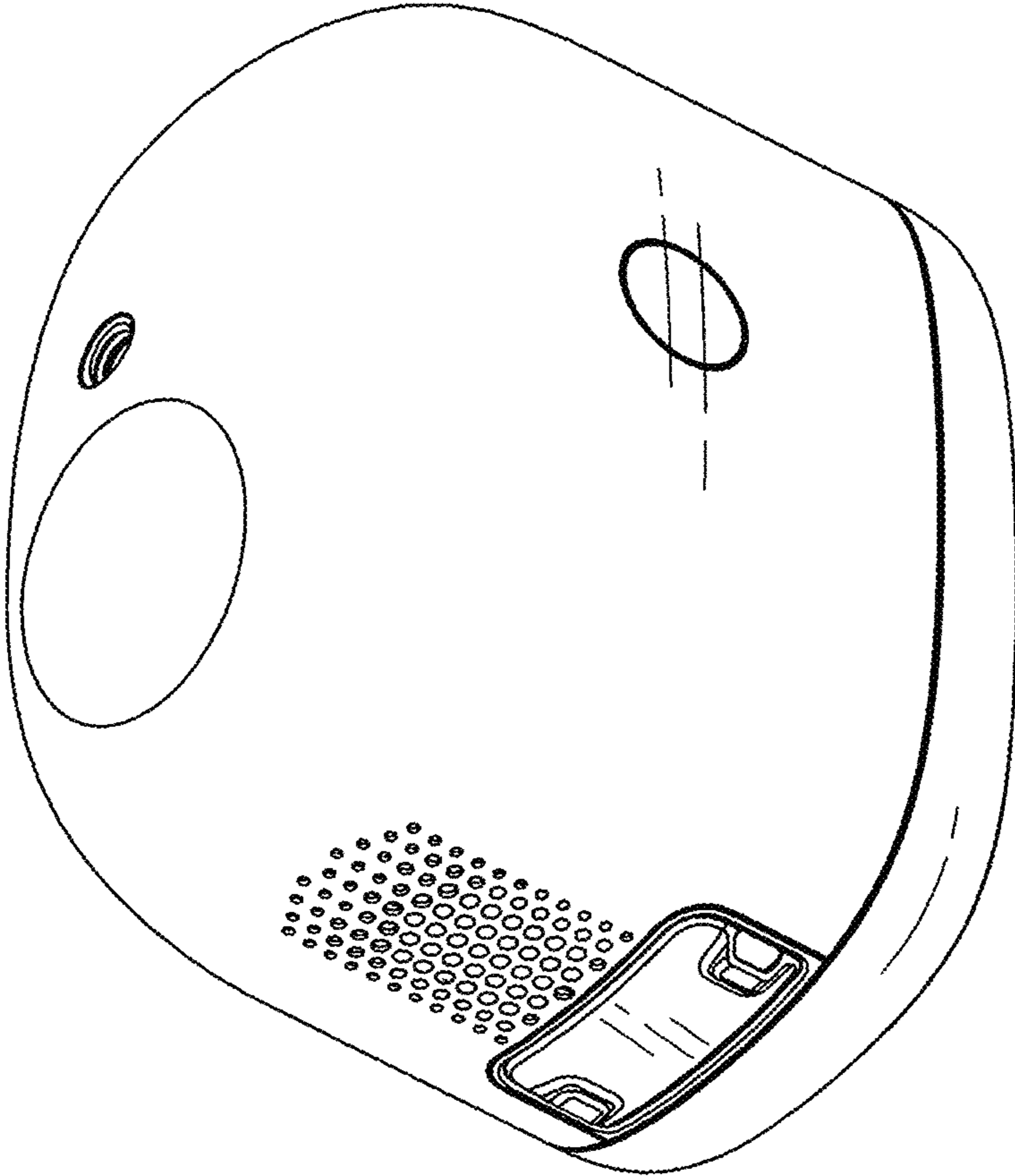


FIG. 8