



US00D947270S

(12) **United States Design Patent** (10) **Patent No.:** **US D947,270 S**
Yamazaki et al. (45) **Date of Patent:** **** Mar. 29, 2022**

(54) **DIGITAL VIDEO CAMERA** D661,718 S * 6/2012 Tang D16/202
 8,695,258 B2 * 4/2014 Kori G09F 7/06
 40/663
 (71) Applicant: **CANON KABUSHIKI KAISHA,** D704,240 S * 5/2014 McBride D16/203
 Tokyo (JP) D723,395 S * 3/2015 Dispenza D10/53
 D741,389 S * 10/2015 Park D16/203
 (72) Inventors: **Takuma Yamazaki,** Tokyo (JP); D751,619 S * 3/2016 Jeong D16/203
Satoshi Shinata, Tokyo (JP) D783,076 S * 4/2017 Ravat D16/203
 D813,290 S * 3/2018 Song D16/203
 (**) Term: **15 Years** D813,926 S * 3/2018 Shin D16/203
 D849,094 S * 5/2019 Gan D16/203
 (21) Appl. No.: **35/510,446** D883,357 S * 5/2020 Moon D16/203
 D896,861 S 9/2020 Hokari
 (22) Filed: **Mar. 26, 2020** D901,572 S * 11/2020 Wang D16/203
 D911,413 S * 2/2021 Yamazaki D16/202

(80) **Hague Agreement Data**
 Int. Filing Date: **Mar. 26, 2020**
 Int. Reg. No.: **DM/206987**
 Int. Reg. Date: **Mar. 26, 2020**
 Int. Reg. Pub. Date: **Oct. 2, 2020**

(30) **Foreign Application Priority Data**
 Oct. 1, 2019 (JP) 2019-022027
 (51) **LOC (13) Cl.** **16-01**
 (52) **U.S. Cl.**
 USPC **D16/202**
 (58) **Field of Classification Search**
 USPC D16/200, 202-206, 218, 219, 242
 CPC G03B 17/02; G03B 19/04; G03B 17/56;
 G03B 17/04; G03B 15/03
 See application file for complete search history.

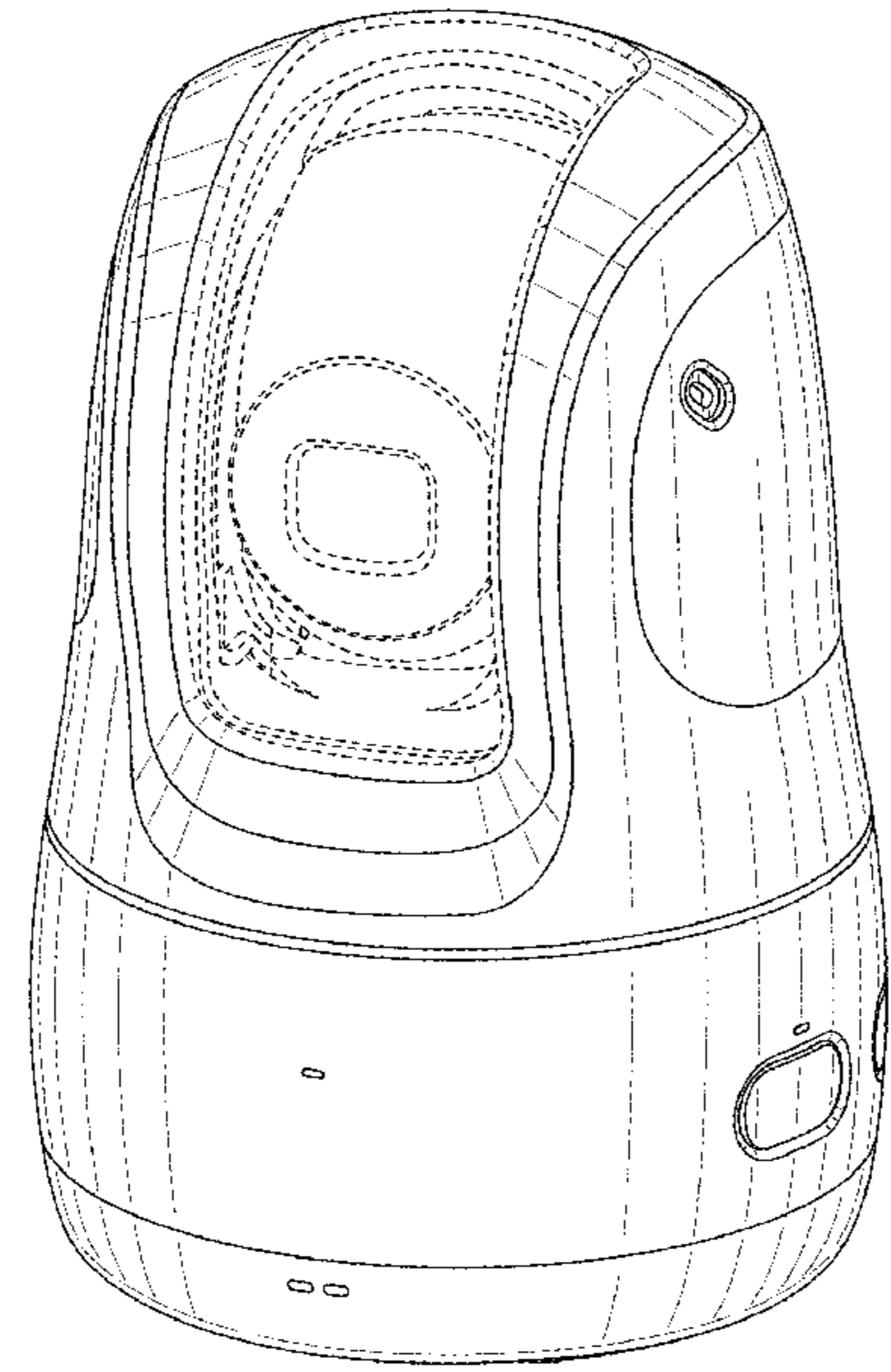
(56) **References Cited**
 U.S. PATENT DOCUMENTS
 D524,839 S * 7/2006 Wen D16/202
 D552,650 S * 10/2007 Yamakawa D16/203
 D597,117 S * 7/2009 Yamane D16/203
 D609,732 S * 2/2010 Frank D16/203
 D626,984 S * 11/2010 Miyaji D16/203

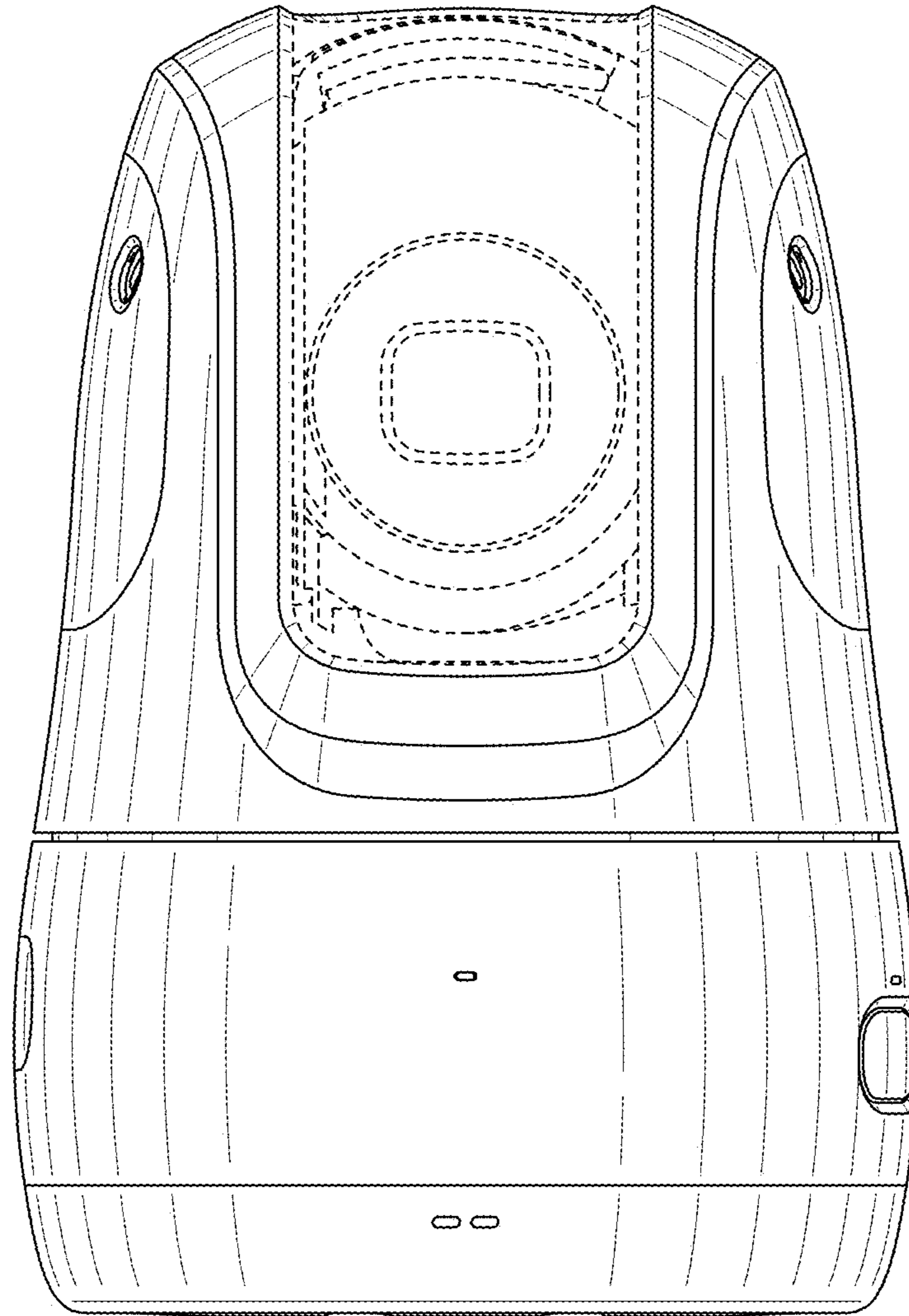
OTHER PUBLICATIONS
 Co-pending Design U.S. Appl. No. 29/725,070, filed Feb. 21, 2020.
 * cited by examiner
Primary Examiner — Holly E Thurman

(57) **CLAIM**
 The ornamental design for a digital video camera, as shown and described.

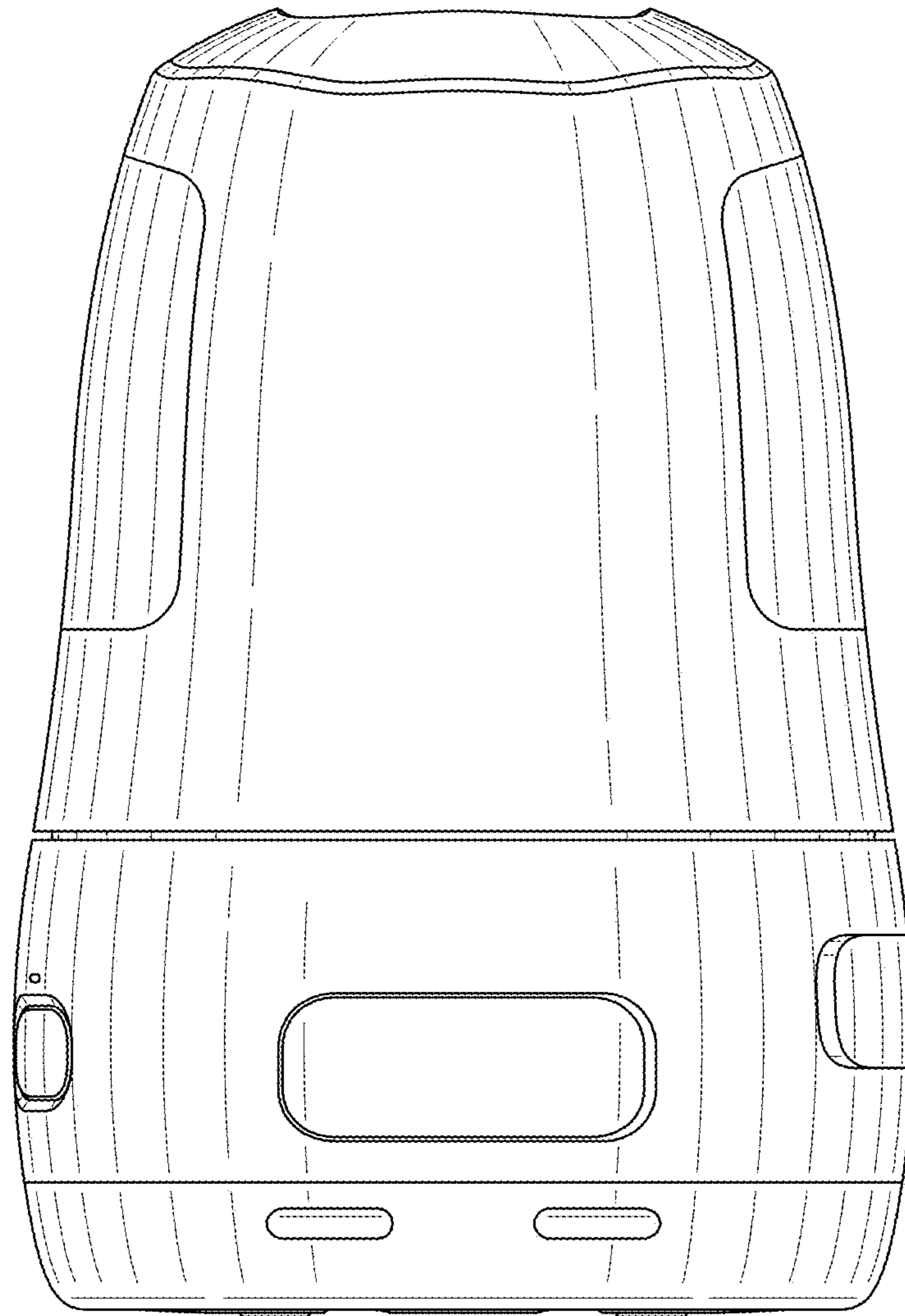
DESCRIPTION
 1. Digital video camera
 1.1 : Front
 1.2 : Back
 1.3 : Top
 1.4 : Bottom
 1.5 : Left
 1.6 : Right
 1.7 : Perspective
 The broken lines in the drawings illustrate portions of the digital video camera which form no part of the claimed design.

1 Claim, 6 Drawing Sheets

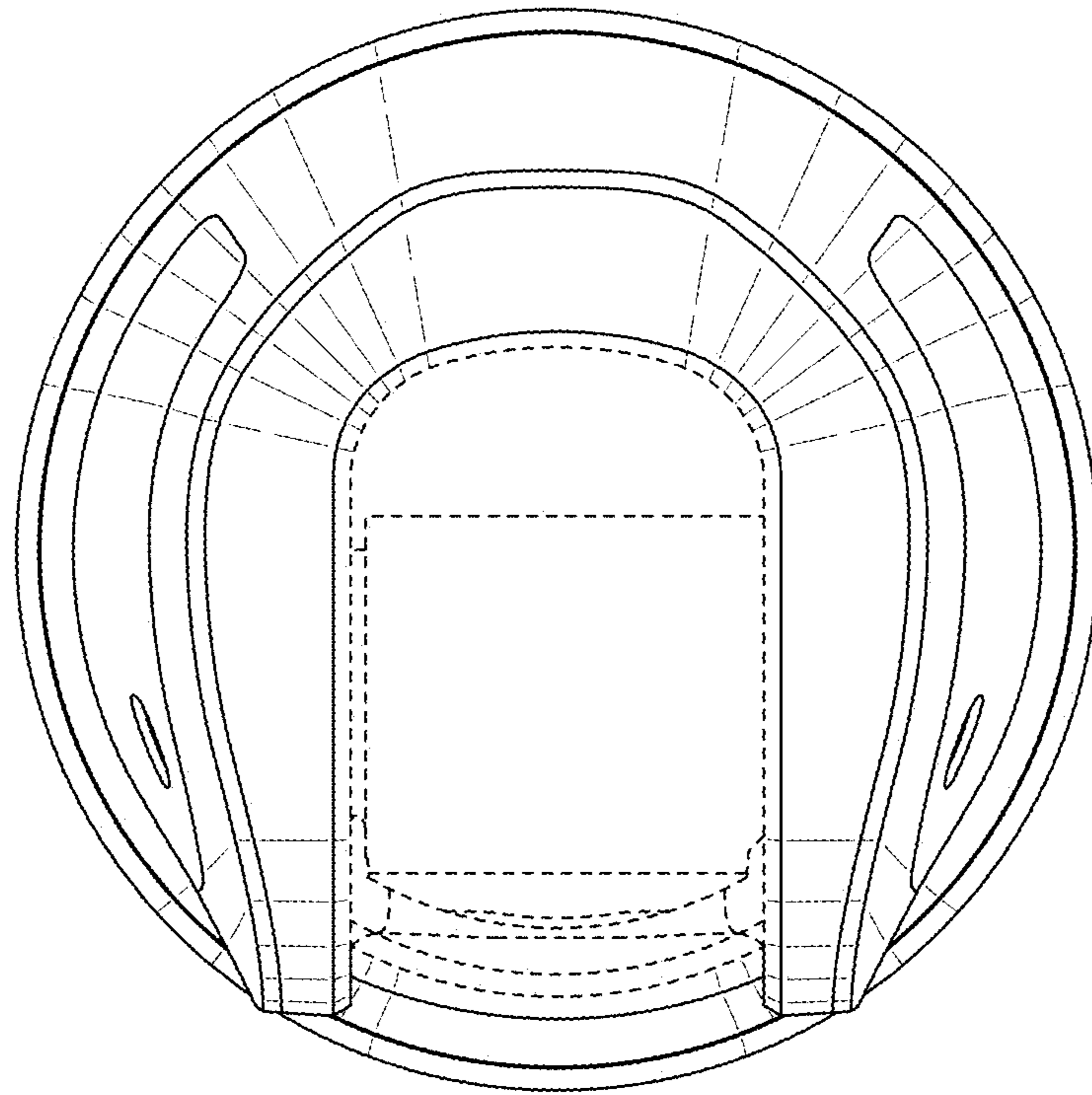




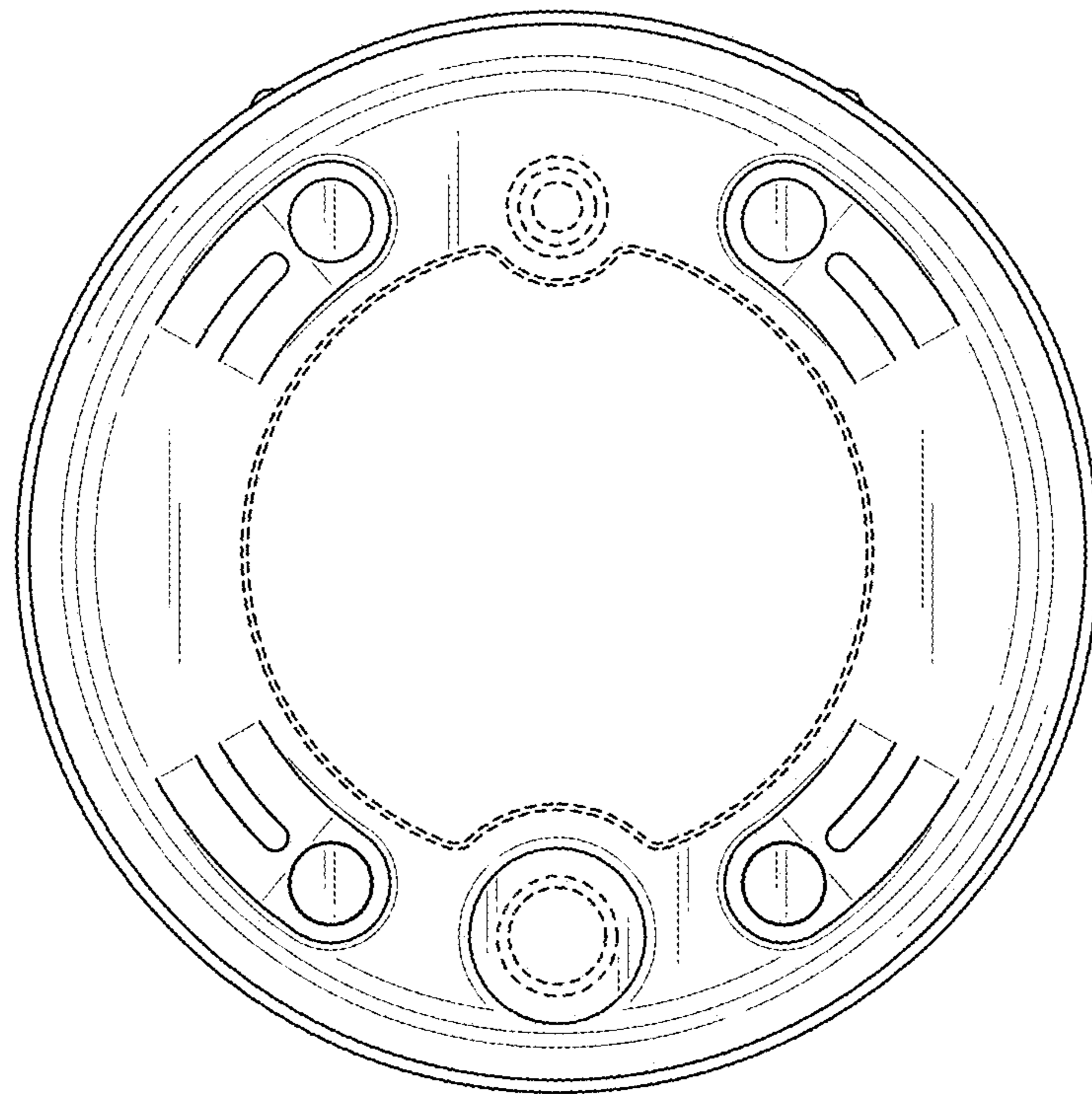
1.1



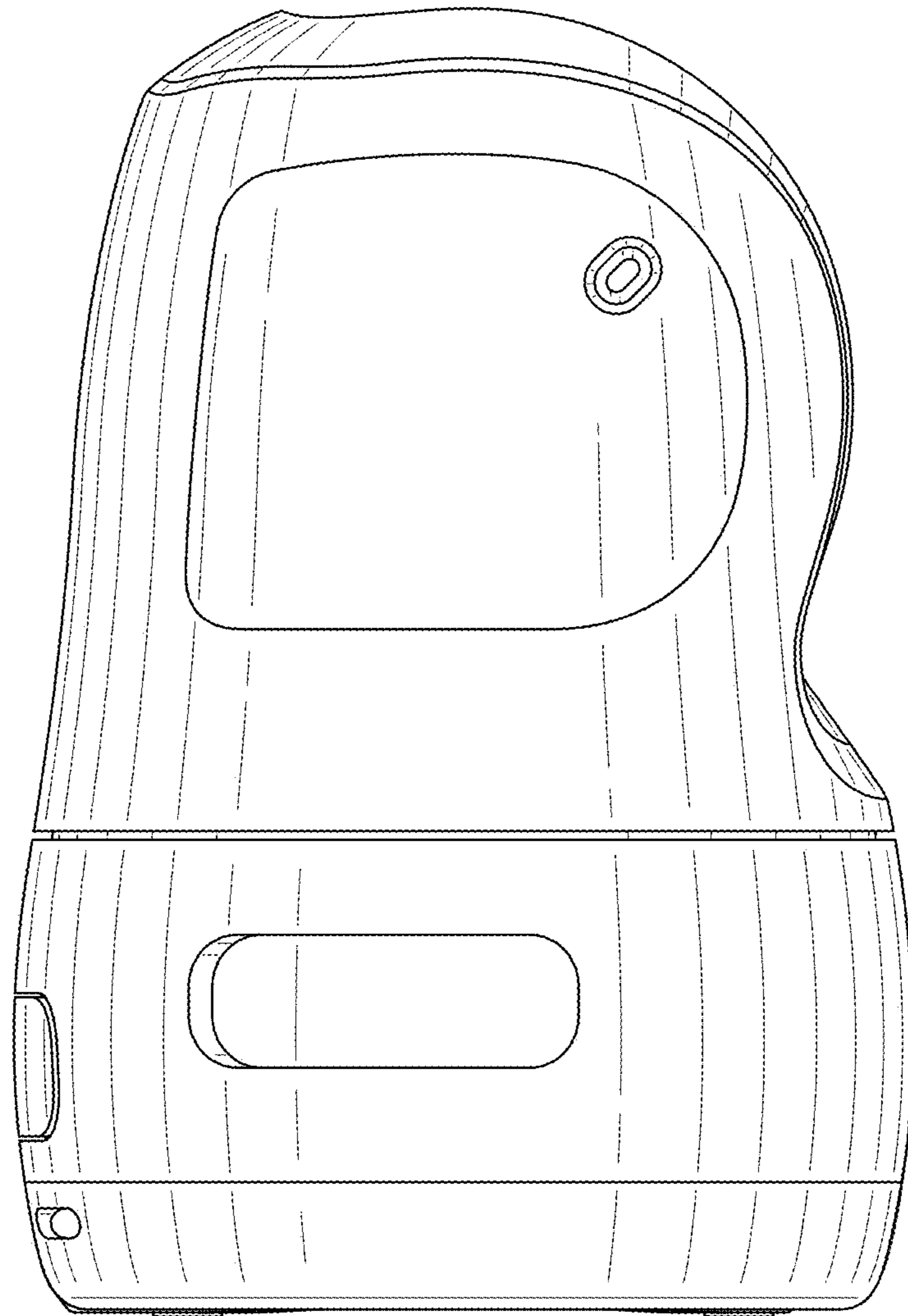
1.2



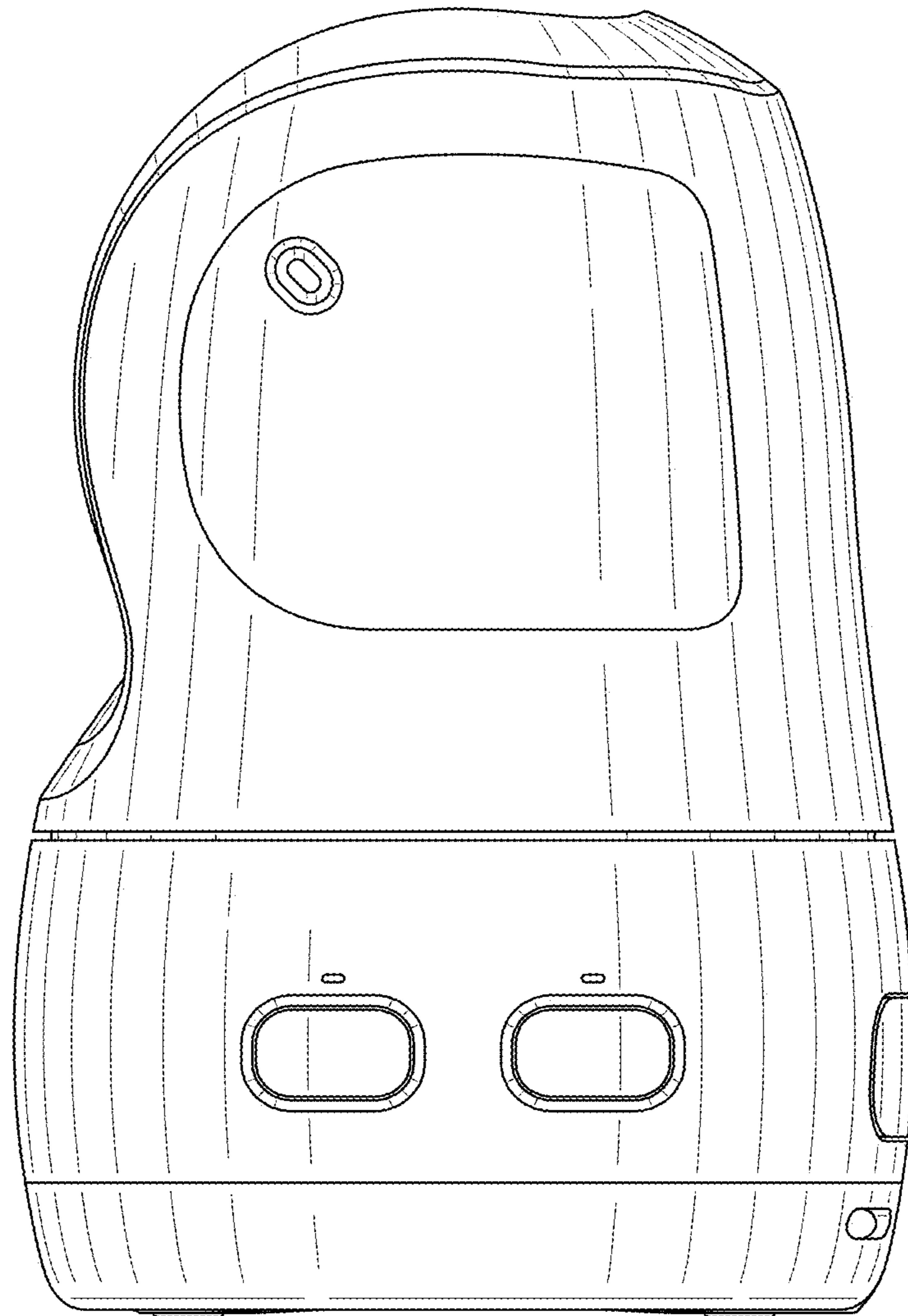
1.3



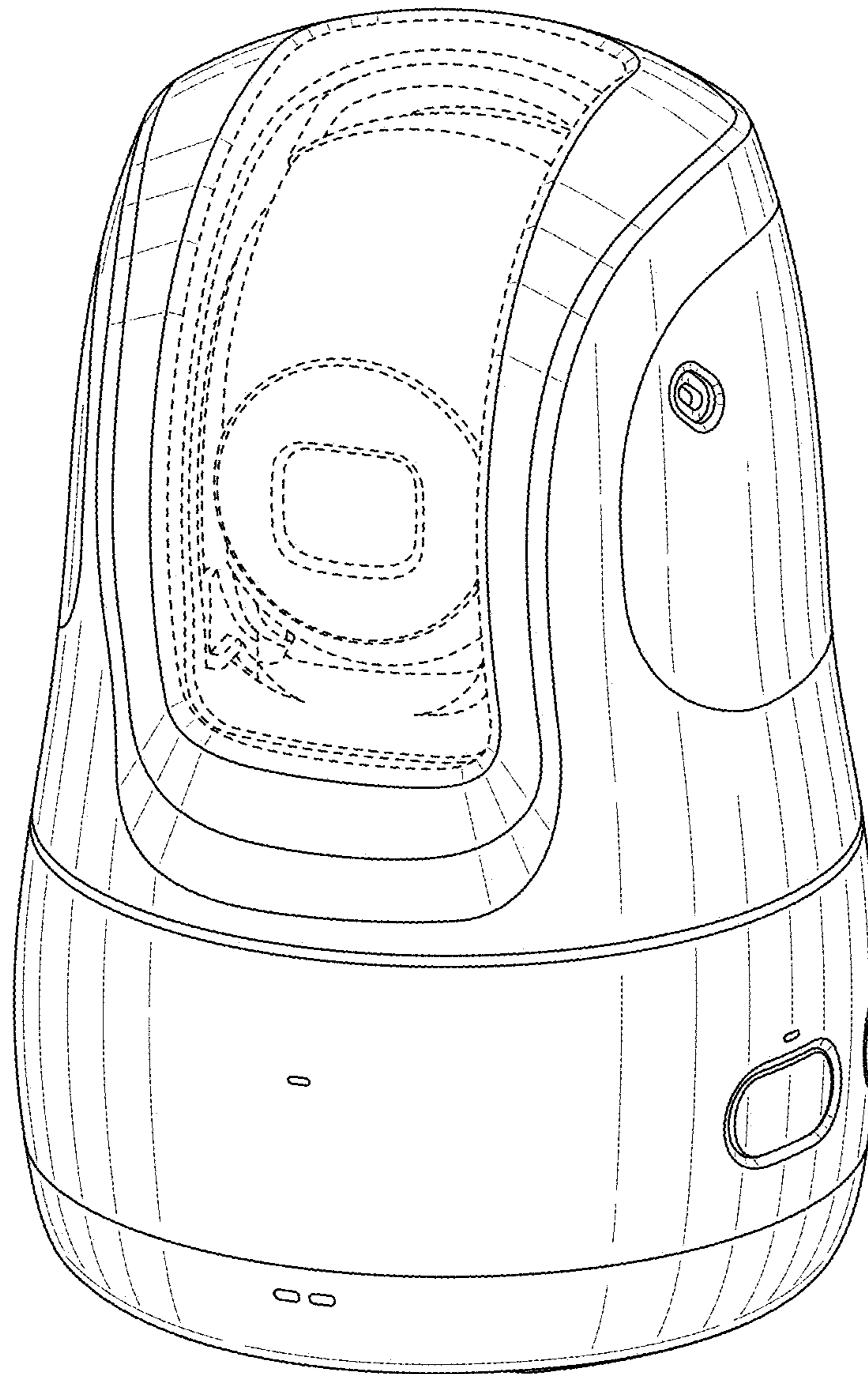
1.4



1.5



1.6



1.7