



US00D947269S

(12) **United States Design Patent**
Lin

(10) **Patent No.:** **US D947,269 S**
(45) **Date of Patent:** **** Mar. 29, 2022**

(54) **SCREEN MAGNIFIER**

(71) Applicant: **Quan Lin**, Shenzhen (CN)

(72) Inventor: **Quan Lin**, Shenzhen (CN)

(**) Term: **15 Years**

(21) Appl. No.: **29/759,909**

(22) Filed: **Nov. 25, 2020**

(51) **LOC (13) Cl.** **16-06**

(52) **U.S. Cl.**
USPC **D16/135**

(58) **Field of Classification Search**
USPC D16/130, 134, 135, 136; D14/314, 315,
D14/322, 334, 335, 336
CPC G01B 3/04
See application file for complete search history.

(56) **References Cited**

U.S. PATENT DOCUMENTS

D219,065 S *	10/1970	Zelnick	D10/62
D222,386 S *	10/1971	Kirschner	D10/67
D614,220 S *	4/2010	Goldenberg	D16/200
D631,903 S *	2/2011	Sugiyama	D16/225
D637,218 S *	5/2011	Shih	D16/130
D664,584 S *	7/2012	Turpault	D16/225
D756,442 S *	5/2016	Bourque	D16/225
D848,516 S *	5/2019	Park	D16/225
D884,045 S *	5/2020	Lin	
D894,989 S *	9/2020	Hong	D16/135

D910,103 S *	2/2021	Park	D16/135
D912,036 S *	3/2021	Zhang	D14/253
D918,190 S *	5/2021	Hong	D14/253
2006/0203093 A1 *	9/2006	Trulaske	H04N 1/19594 348/156

* cited by examiner

Primary Examiner — Holly E Thurman

(57) **CLAIM**

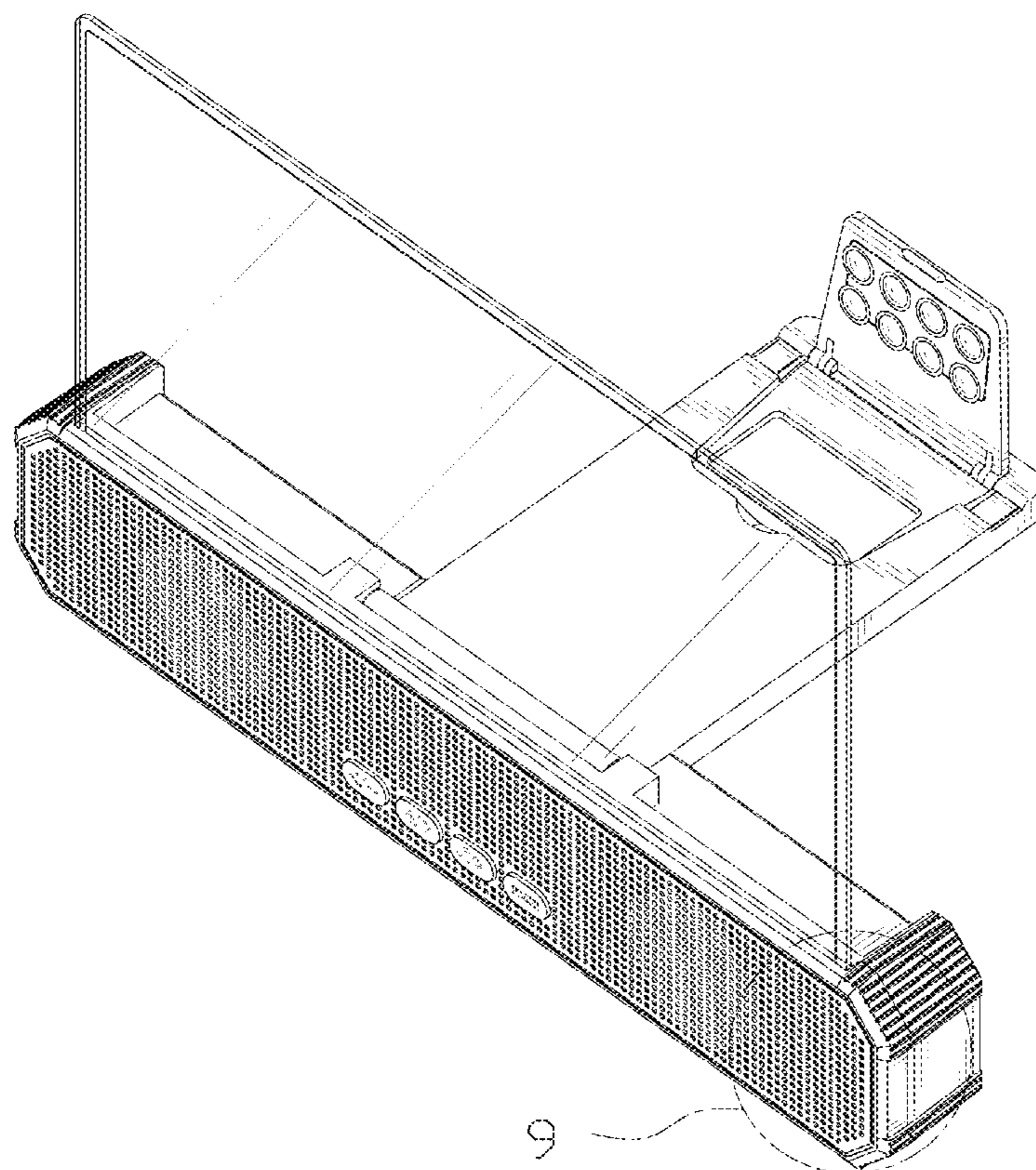
The ornamental design for a screen magnifier, as shown and described.

DESCRIPTION

FIG. 1 is a front and top perspective view of a shower head, showing my new design;
FIG. 2 is a rear and bottom perspective view thereof;
FIG. 3 is a front elevation view thereof;
FIG. 4 is a rear elevation view thereof;
FIG. 5 is a left side elevation view thereof;
FIG. 6 is a right side elevation view thereof;
FIG. 7 is a top plan view thereof;
FIG. 8 is a bottom plan view thereof; and,
FIG. 9 is an enlarged view of the encircled portion shown in FIG. 1.

The broken lines in the figures illustrate portions of the screen magnifier that form no part of the claimed design. The dash dot dash lines in FIG. 1 and 9 are for the purpose of depicting the boundary lines of the enlarged view and form no part of the claim.

1 Claim, 9 Drawing Sheets



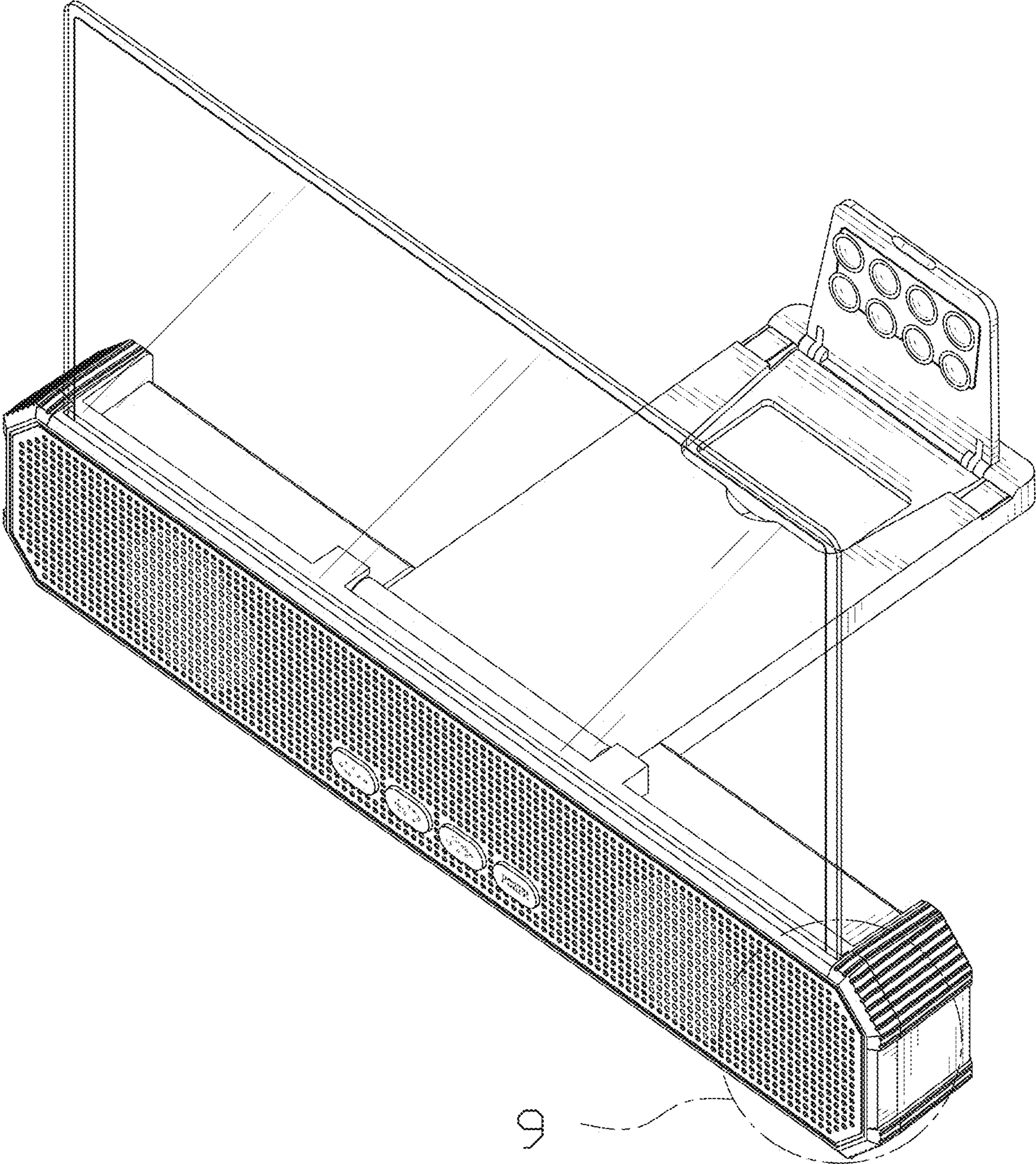


FIG. 1

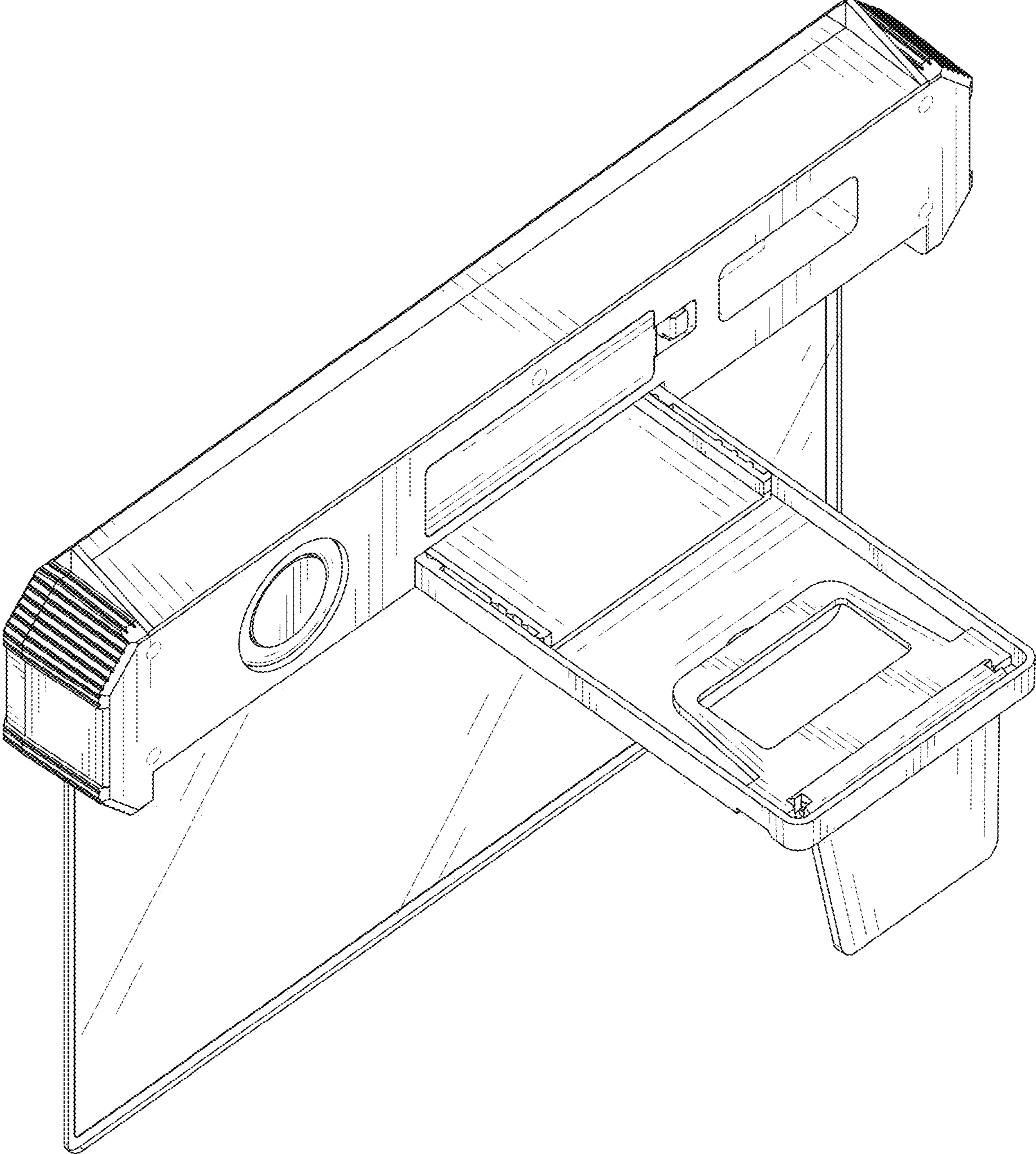


FIG. 2

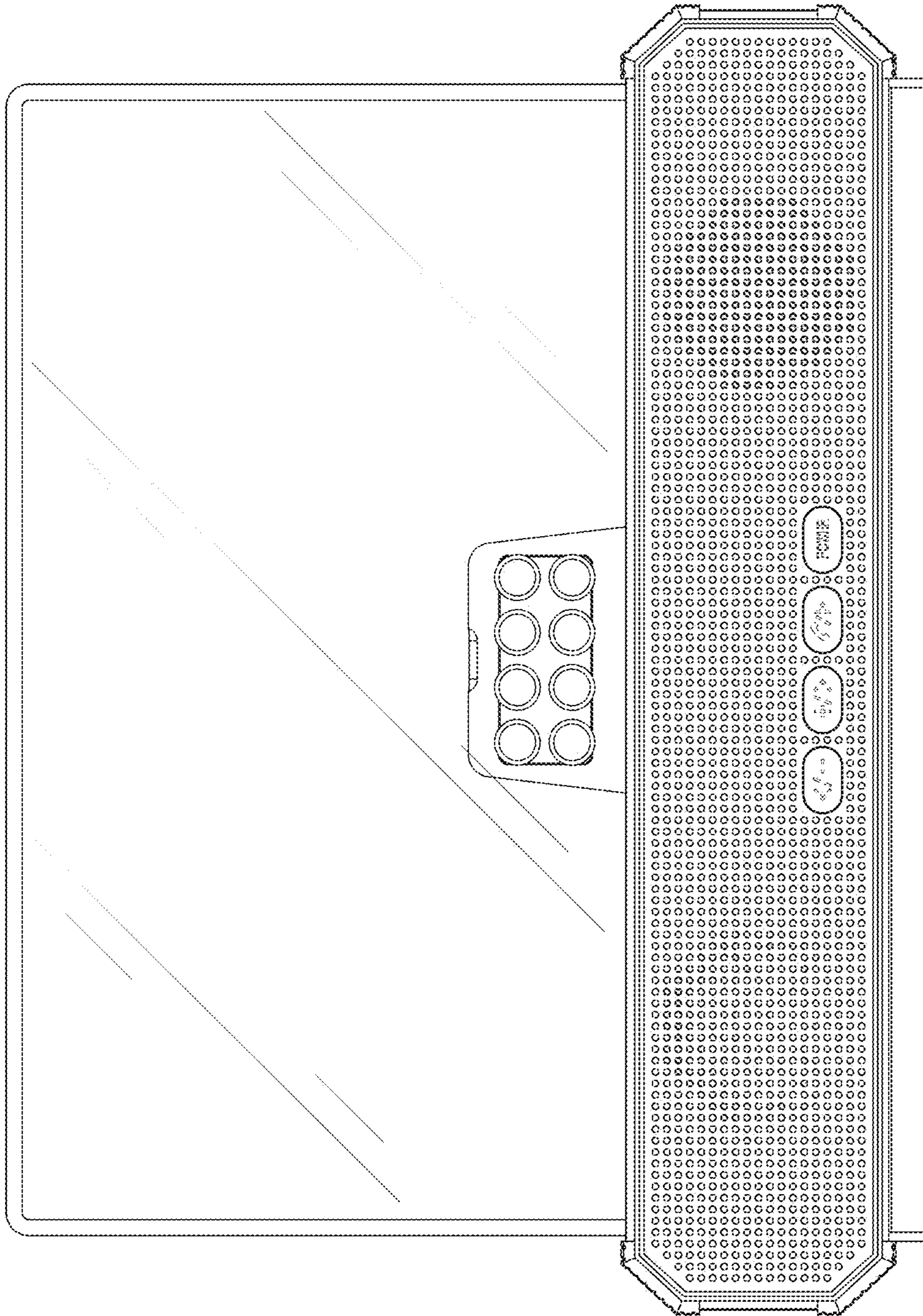


FIG. 3

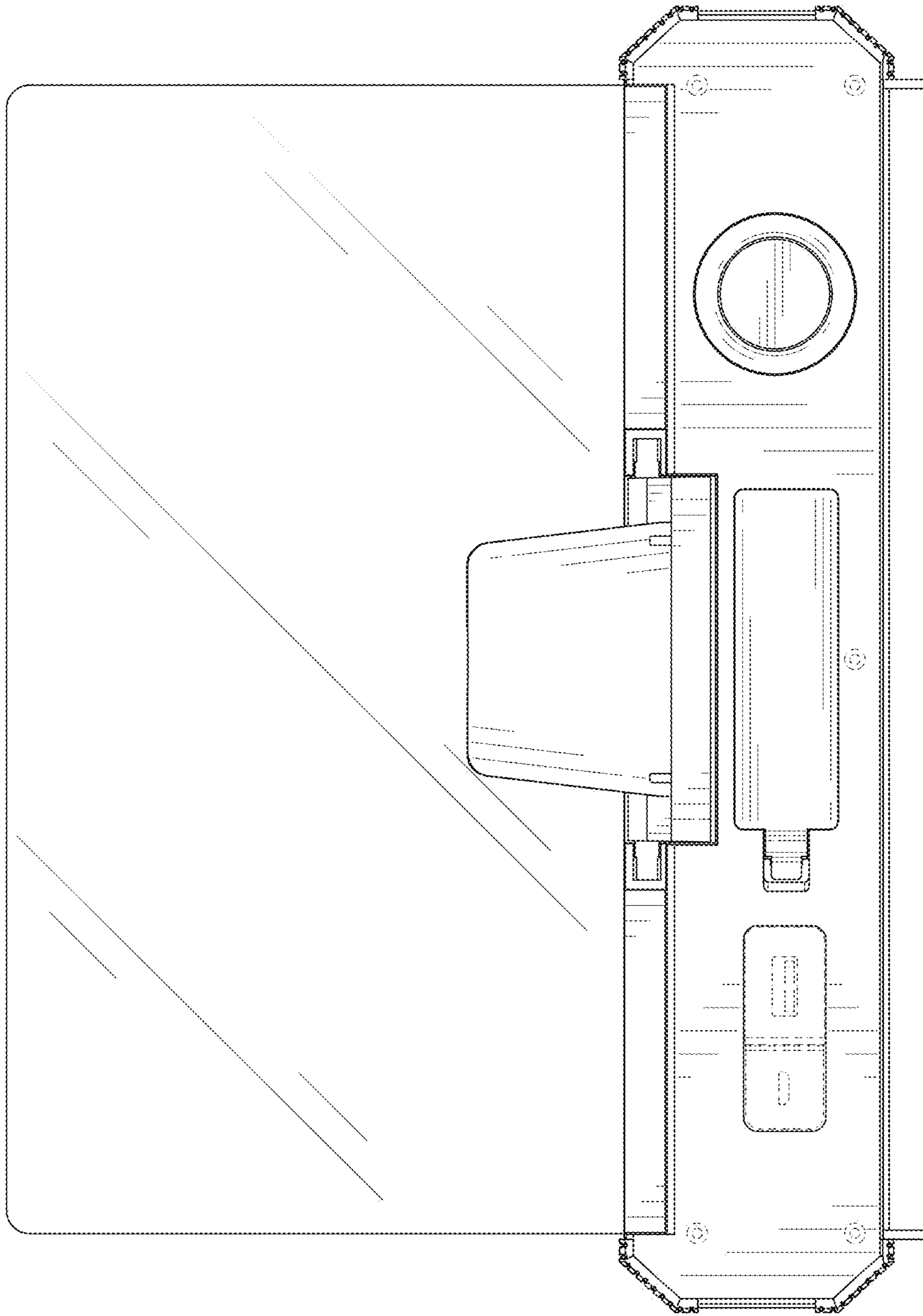


FIG. 4

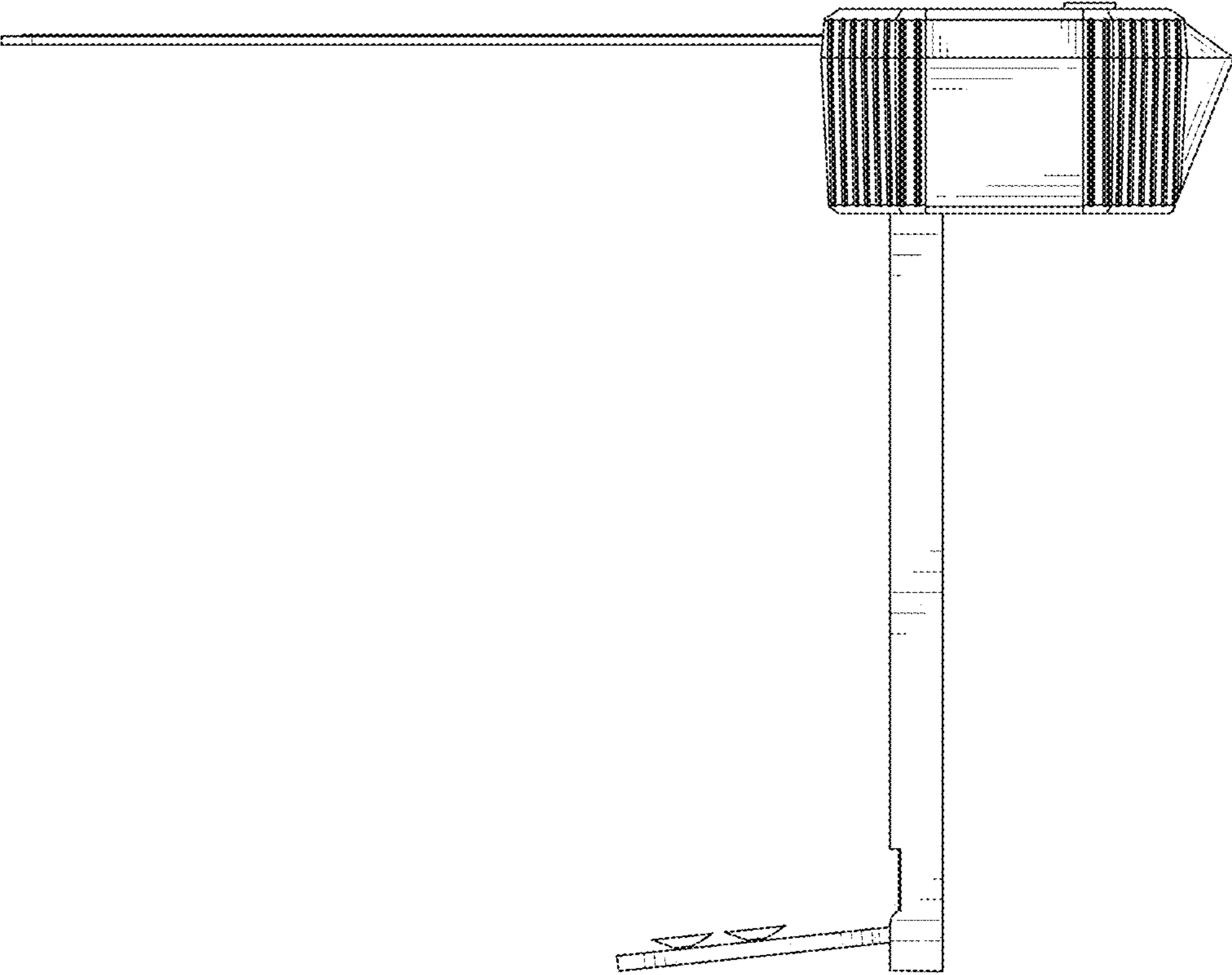


FIG. 5

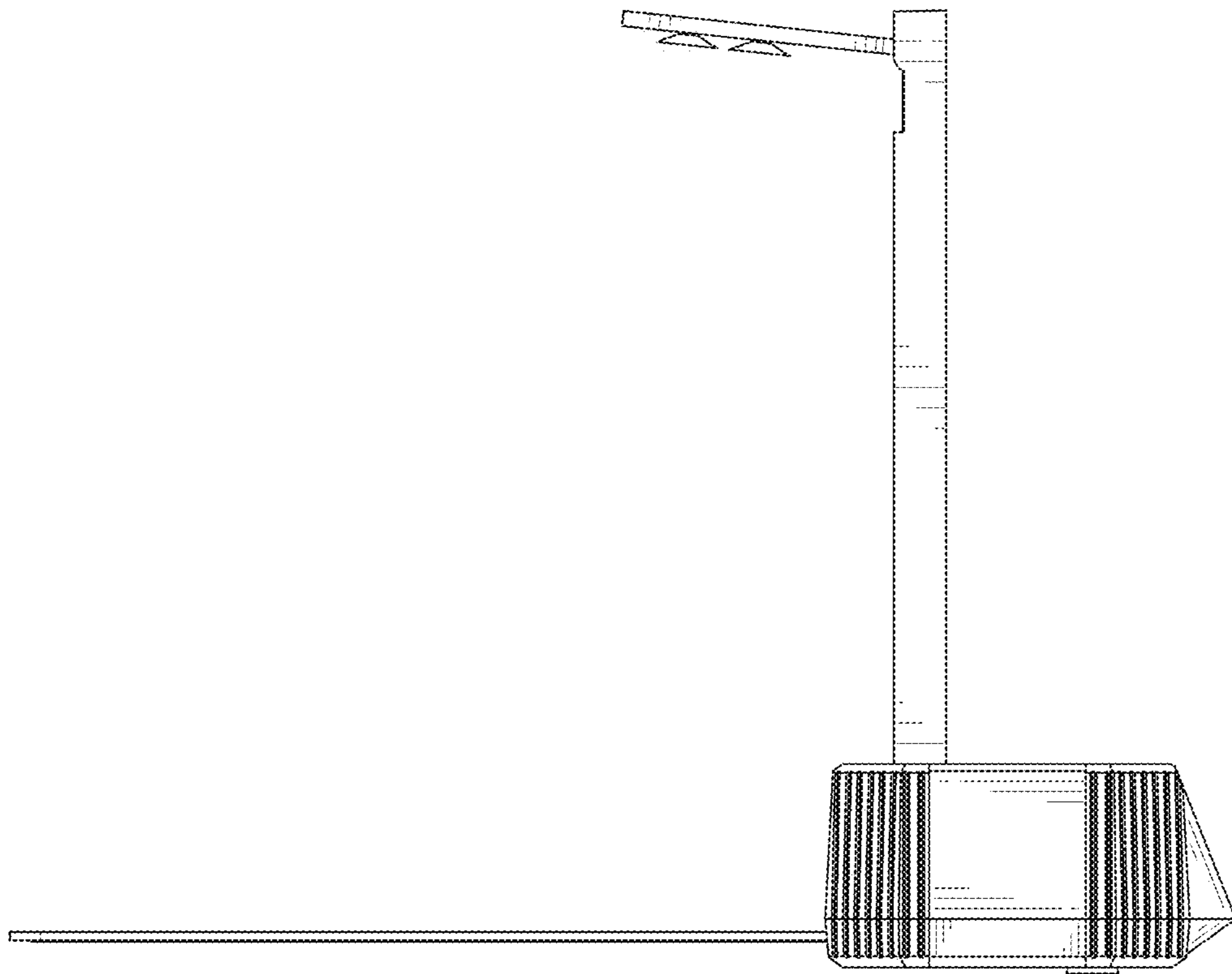


FIG. 6

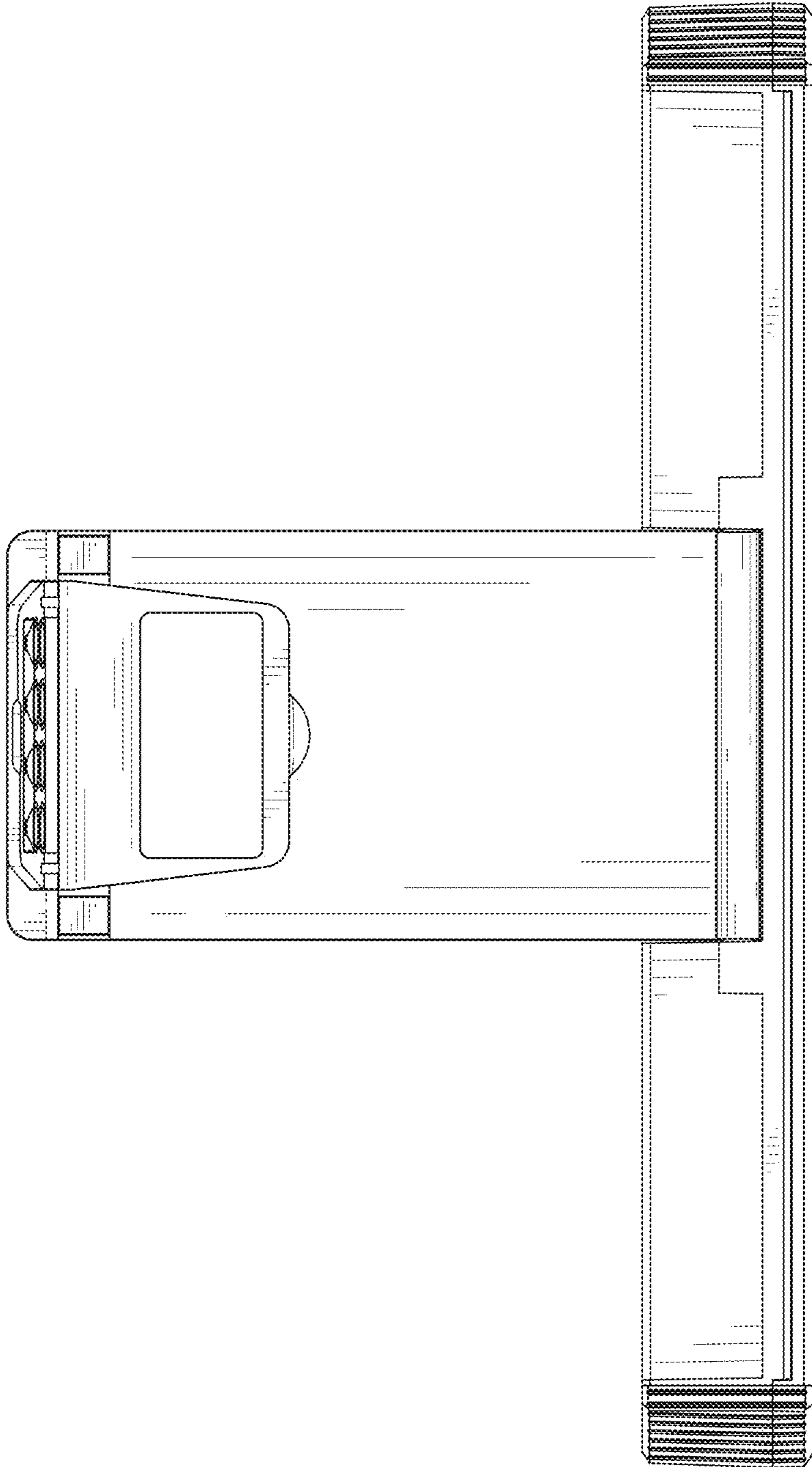


FIG. 7

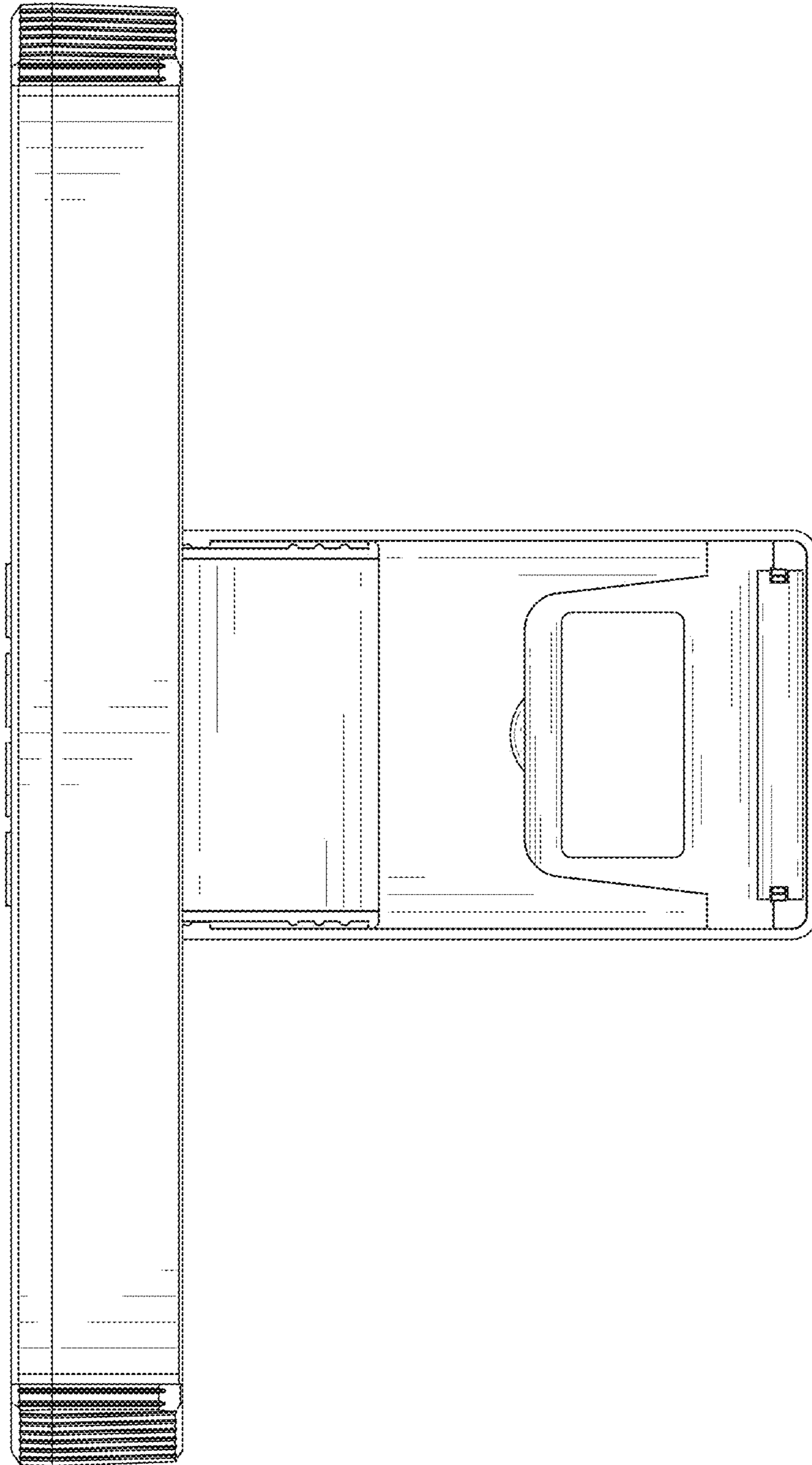


FIG. 8

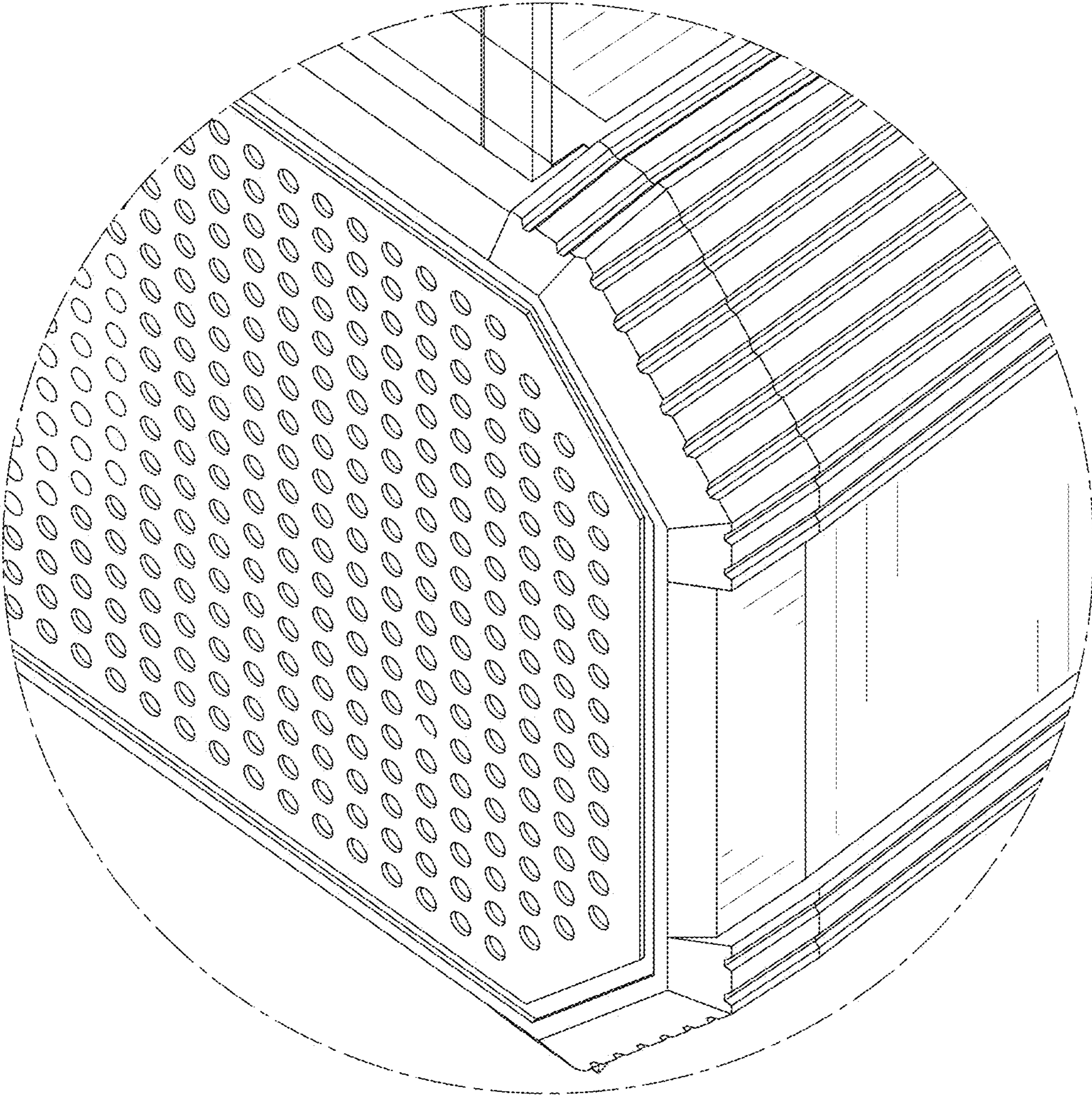


FIG. 9