



US00D947268S

(12) **United States Design Patent**
Lukes et al.

(10) **Patent No.:** **US D947,268 S**
(45) **Date of Patent:** **** Mar. 29, 2022**

- (54) **OPTICAL FILTER CLAMP**
- (71) Applicant: **Agile Focus Designs, LLC**, Bozeman, MT (US)
- (72) Inventors: **Sarah Jane Lukes**, Bozeman, MT (US); **Daniel James Traucht**, Livingston, MT (US)
- (**) Term: **15 Years**
- (21) Appl. No.: **29/727,406**
- (22) Filed: **Mar. 10, 2020**
- (51) **LOC (13) Cl.** **16-99**
- (52) **U.S. Cl.**
USPC **D16/130**
- (58) **Field of Classification Search**
USPC D10/70, 109.1, 109.2; D16/134, 130, D16/131, 132, 135, 136, 202-208, 245, D16/219; D24/120, 113, 118, 119, 121, D24/122, 124, 125, 128
CPC ... G01C 3/00; G01C 3/02; G01C 3/04; G01C 3/06; G01C 3/08; G01C 3/085; G01C 3/10; G01C 3/12; G01C 3/16; G01C 3/18; G01C 3/20; G01C 3/22; G01C 3/24; G01C 3/26; G01C 3/28; G01C 3/30; G01C 3/32; B60Q 1/04; B60Q 1/26; F21S 8/026; F21S 8/04; F21V 29/004; F21V 21/02; F21V 21/04; F21V 29/2212; F21Y 2101/02; G02B 27/026; G02B 23/16; G02B 2003/0093; G02B 3/04; H04J 11/00; H04J 13/00; E06B 9/24; G03B 17/02; C03B 2215/46
See application file for complete search history.

6,761,467	B2	7/2004	Matthews et al.	
7,112,761	B2	9/2006	Hughes et al.	
D548,260	S *	8/2007	Nakamura	D16/134
D598,039	S *	8/2009	Owada	D16/134
D614,219	S *	4/2010	Yip	D16/135
D719,605	S *	12/2014	Dordick	D16/245
D780,822	S *	3/2017	Awazu	D16/219
D781,949	S *	3/2017	Lee	D16/219
D823,368	S *	7/2018	Kessler	D16/135
D825,642	S *	8/2018	Maiwald	D16/242
10,302,528	B2	5/2019	Ilev et al.	
D854,737	S *	7/2019	Moore	D26/124
D857,974	S *	8/2019	Rohland	D26/113
D879,181	S *	3/2020	Lu	D16/219

(Continued)

Primary Examiner — Richard Kearney
Assistant Examiner — Benjamin M Weeks
(74) *Attorney, Agent, or Firm* — Antoinette M. Tease

(57) **CLAIM**

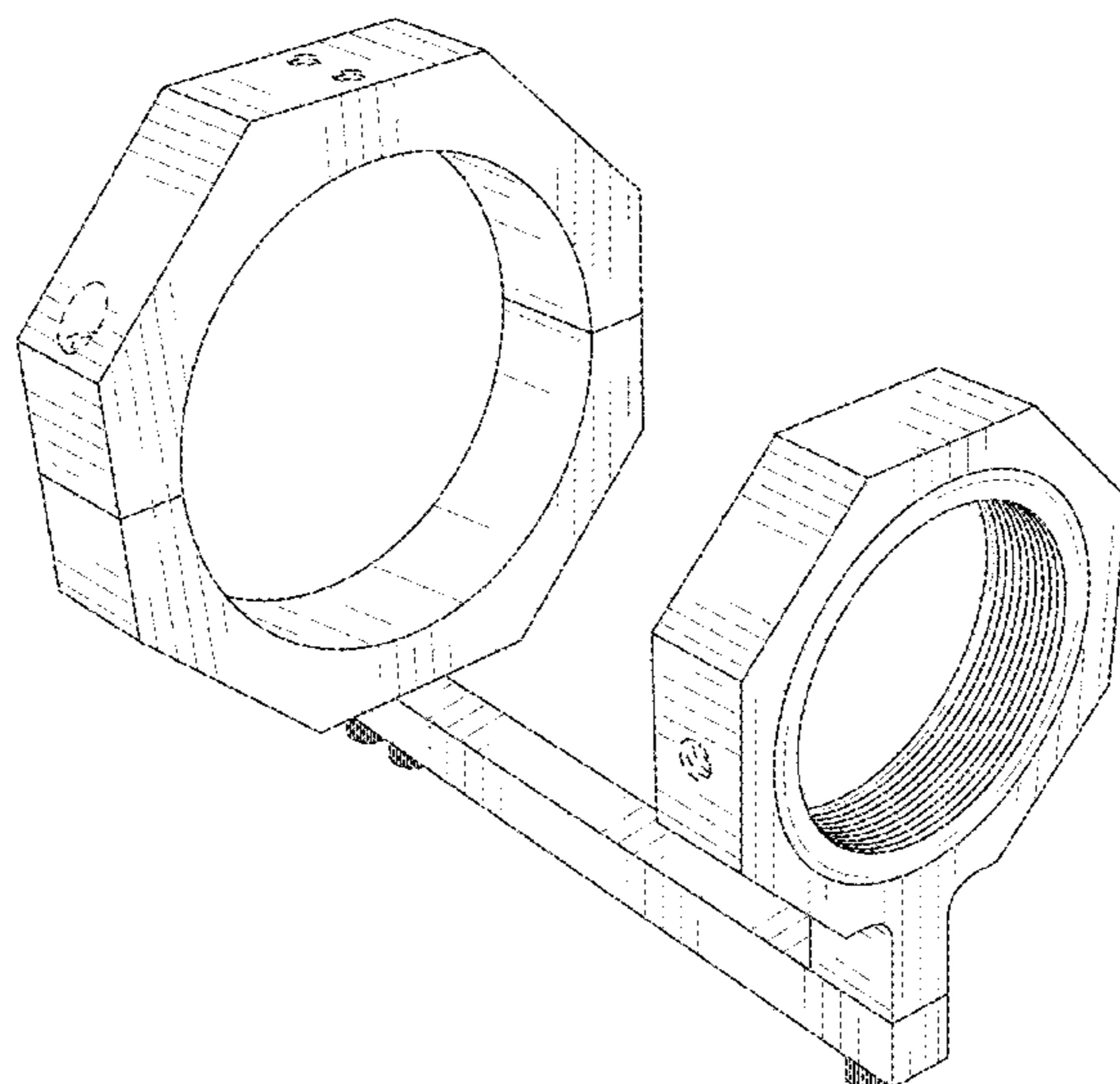
The design for an optical filter clamp, as shown and described.

DESCRIPTION

FIG. 1 is a top left perspective view of the optical filter clamp showing our new design in an open position.
FIG. 2 is a left side view thereof.
FIG. 3 is a right side view thereof.
FIG. 4 is a top view thereof.
FIG. 5 is a bottom view thereof.
FIG. 6 is a front view thereof.
FIG. 7 is a rear view thereof.
FIG. 8 is a top left perspective view of the optical filter clamp shown in a first alternate position in an environment of use; and,
FIG. 9 is a bottom left perspective view of the optical filter clamp shown in a second alternate position in an environment of use.
The broken lines depict portions of the article and environmental structure that form no part of the claimed design.

1 Claim, 9 Drawing Sheets

- (56) **References Cited**
U.S. PATENT DOCUMENTS
4,050,037 A 9/1977 Knowles et al.
5,193,099 A 3/1993 Chou
5,283,802 A 2/1994 Hsiung



(56)

References Cited

U.S. PATENT DOCUMENTS

D888,136 S *	6/2020	Handler	D16/237
D915,488 S *	4/2021	Shimasaki	D16/136
2003/0021109 A1	1/2003	Matthews et al.	
2006/0175308 A1	8/2006	Hughes et al.	
2018/0275013 A1	9/2018	Ilev et al.	

* cited by examiner

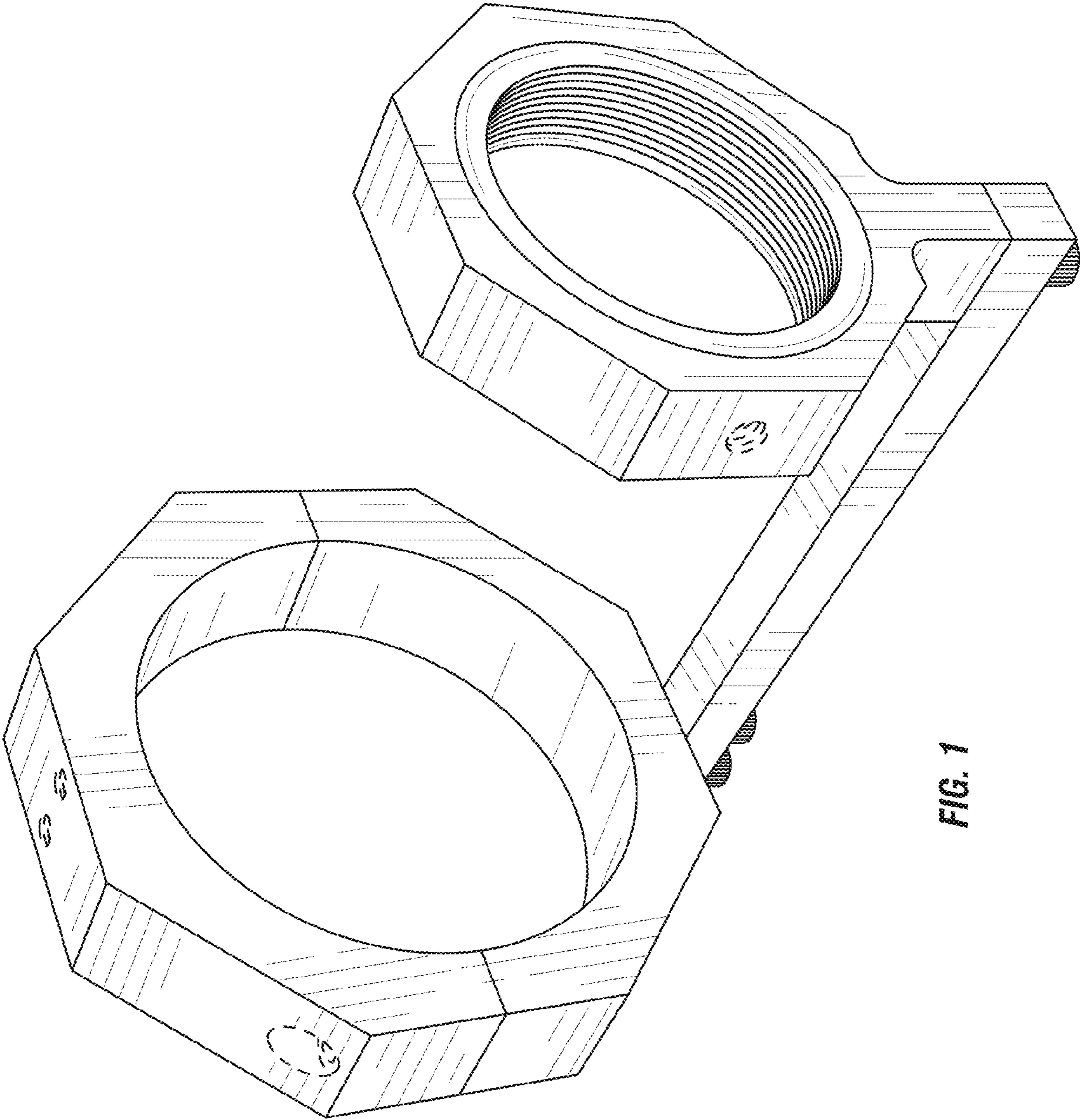


FIG. 1

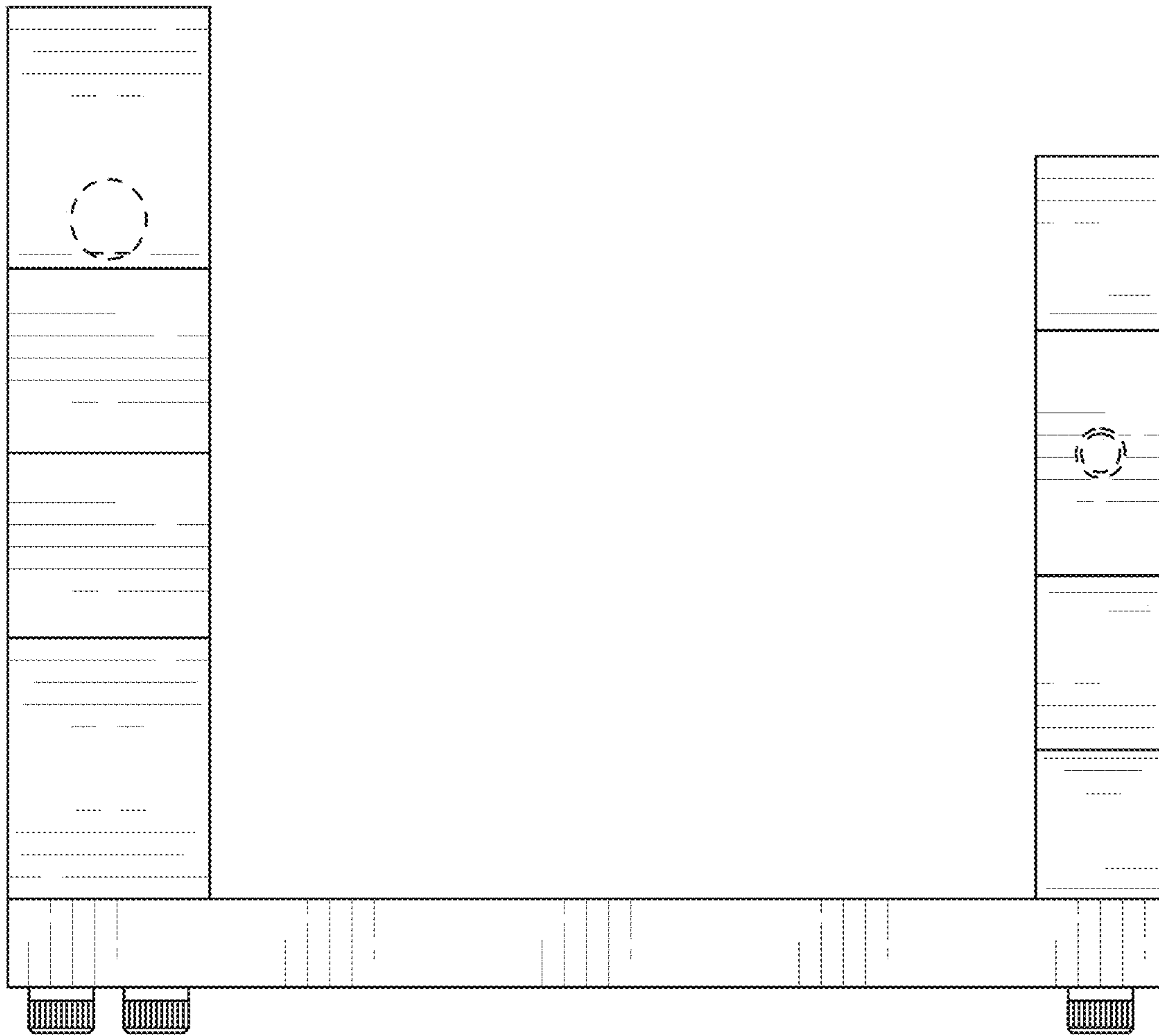


FIG. 2

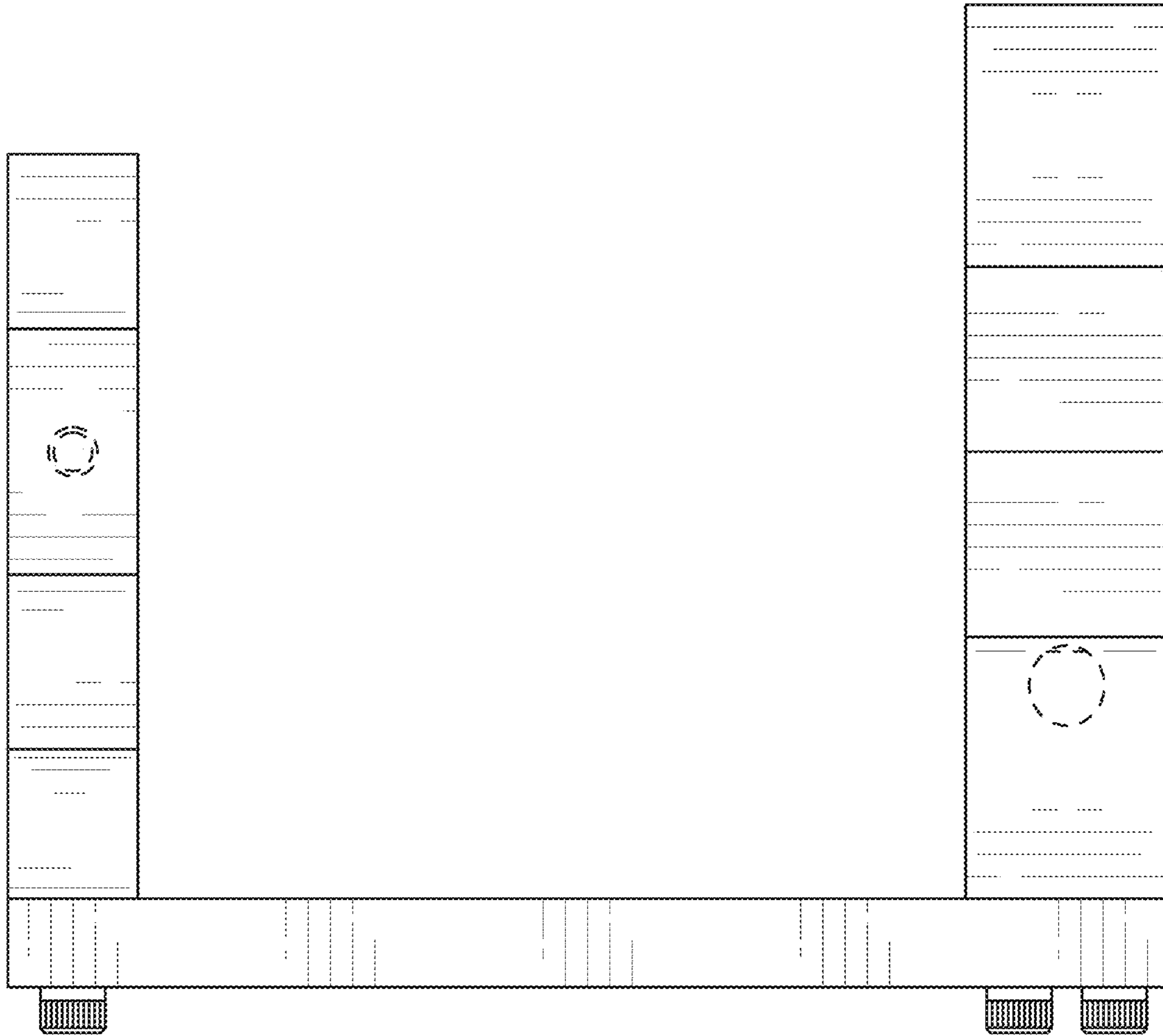


FIG. 3

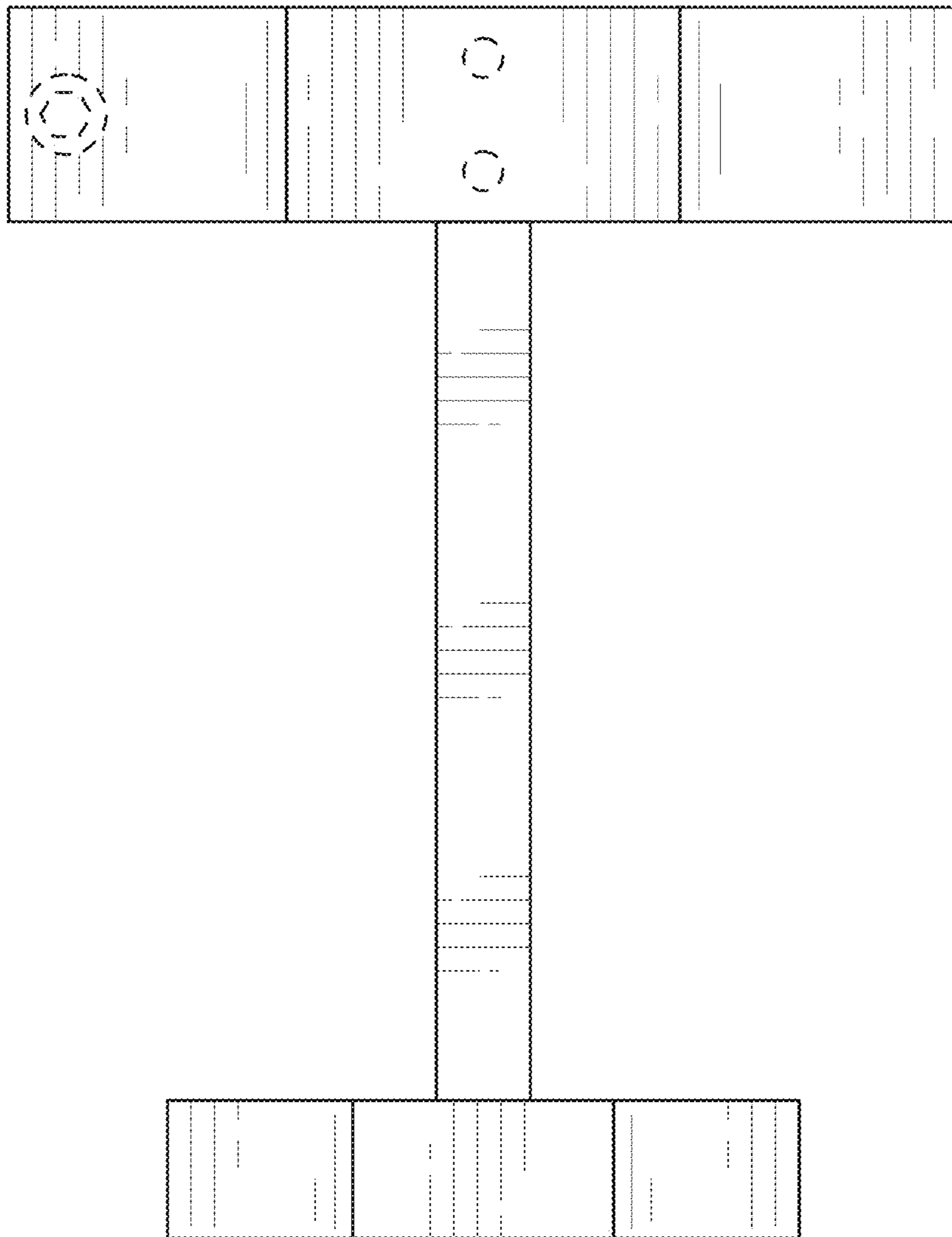


FIG. 4

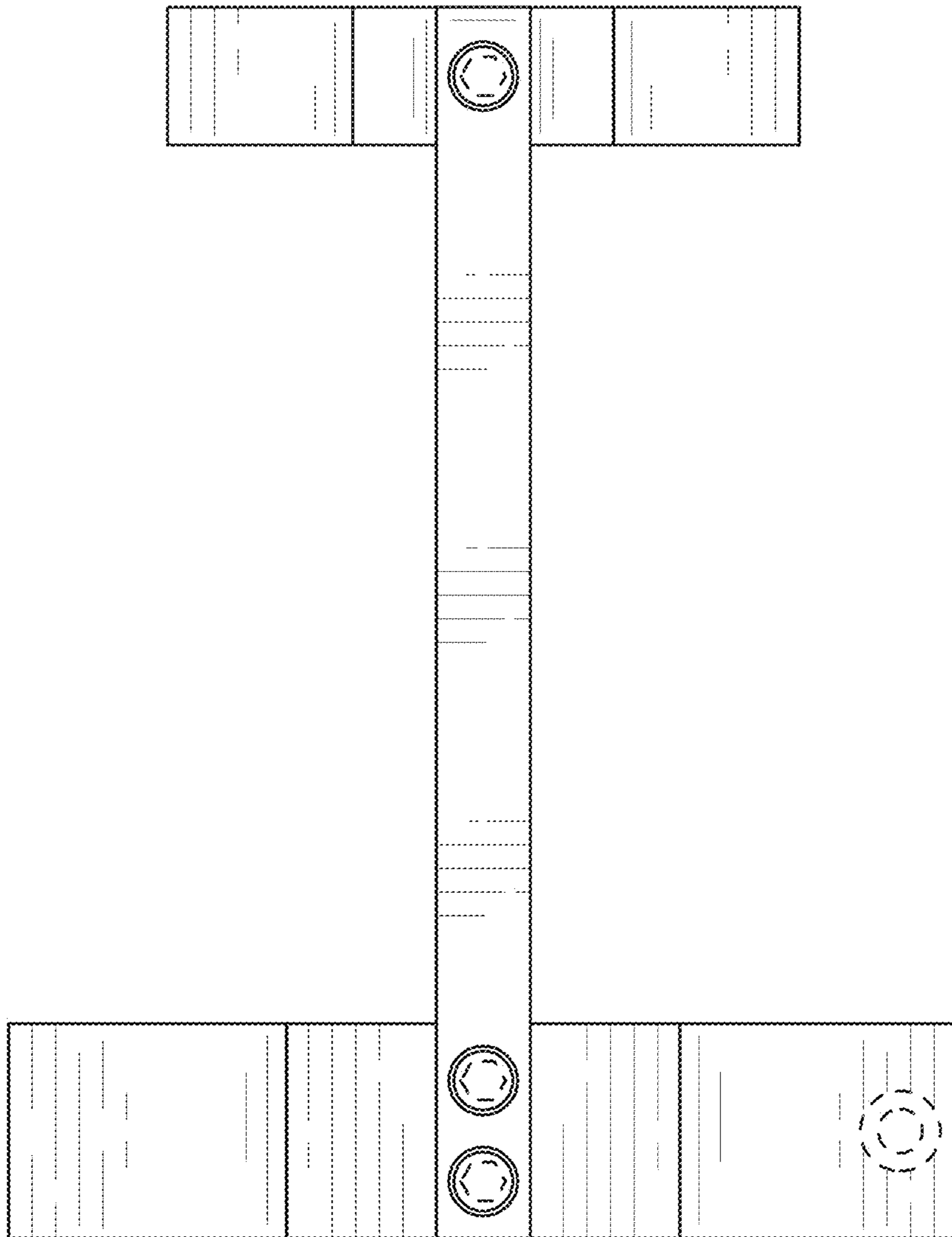


FIG. 5

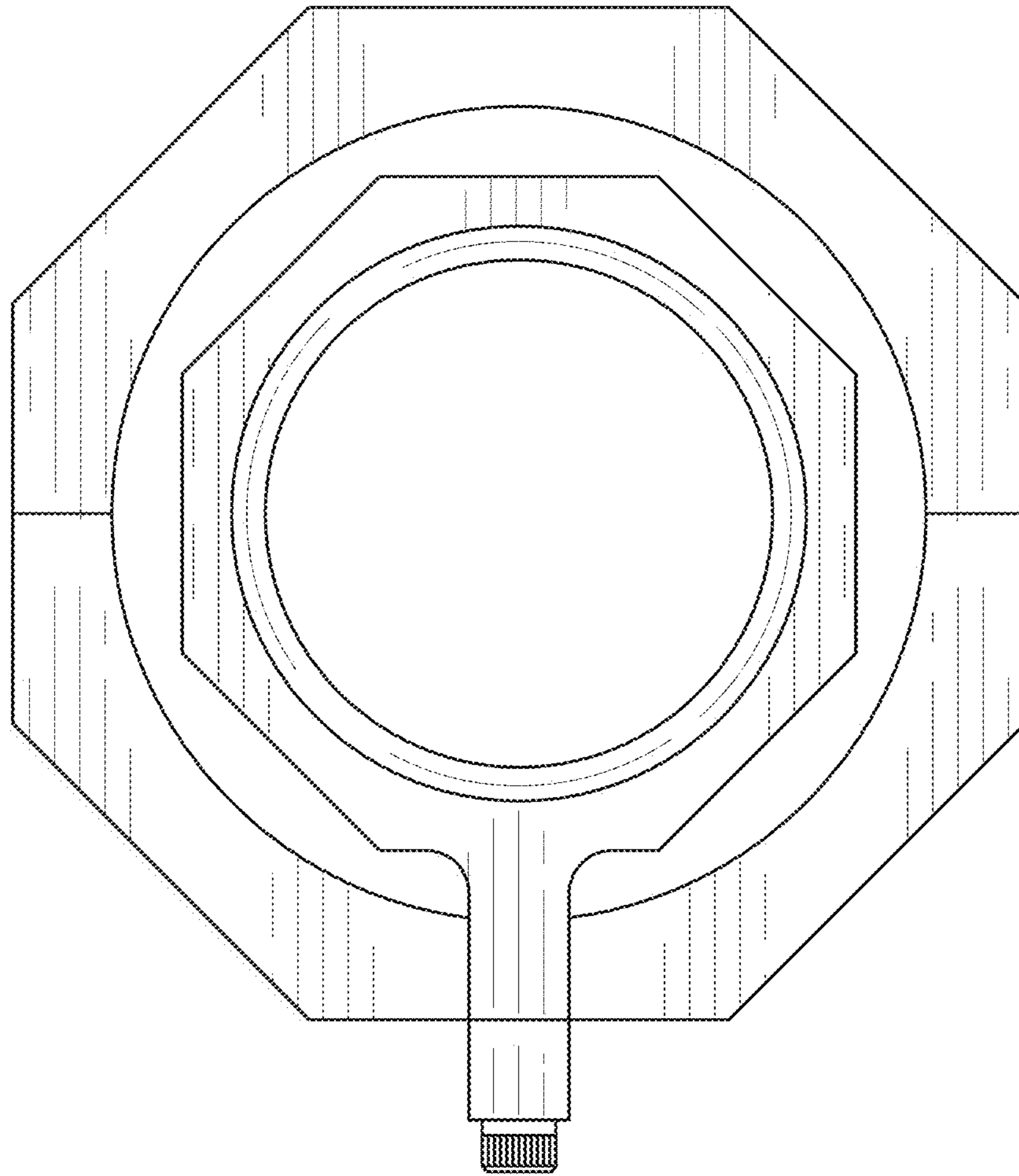


FIG. 6

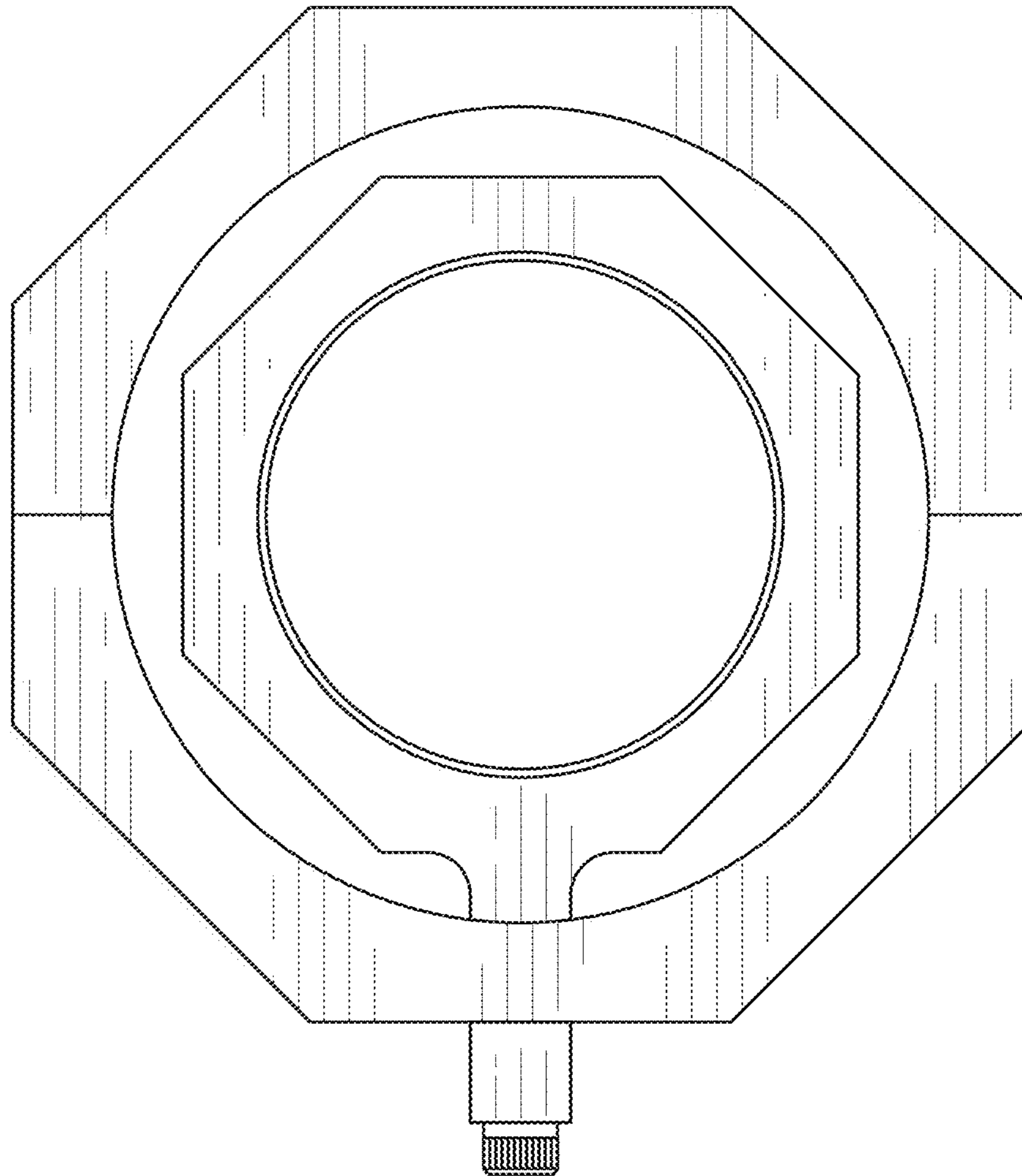


FIG. 7

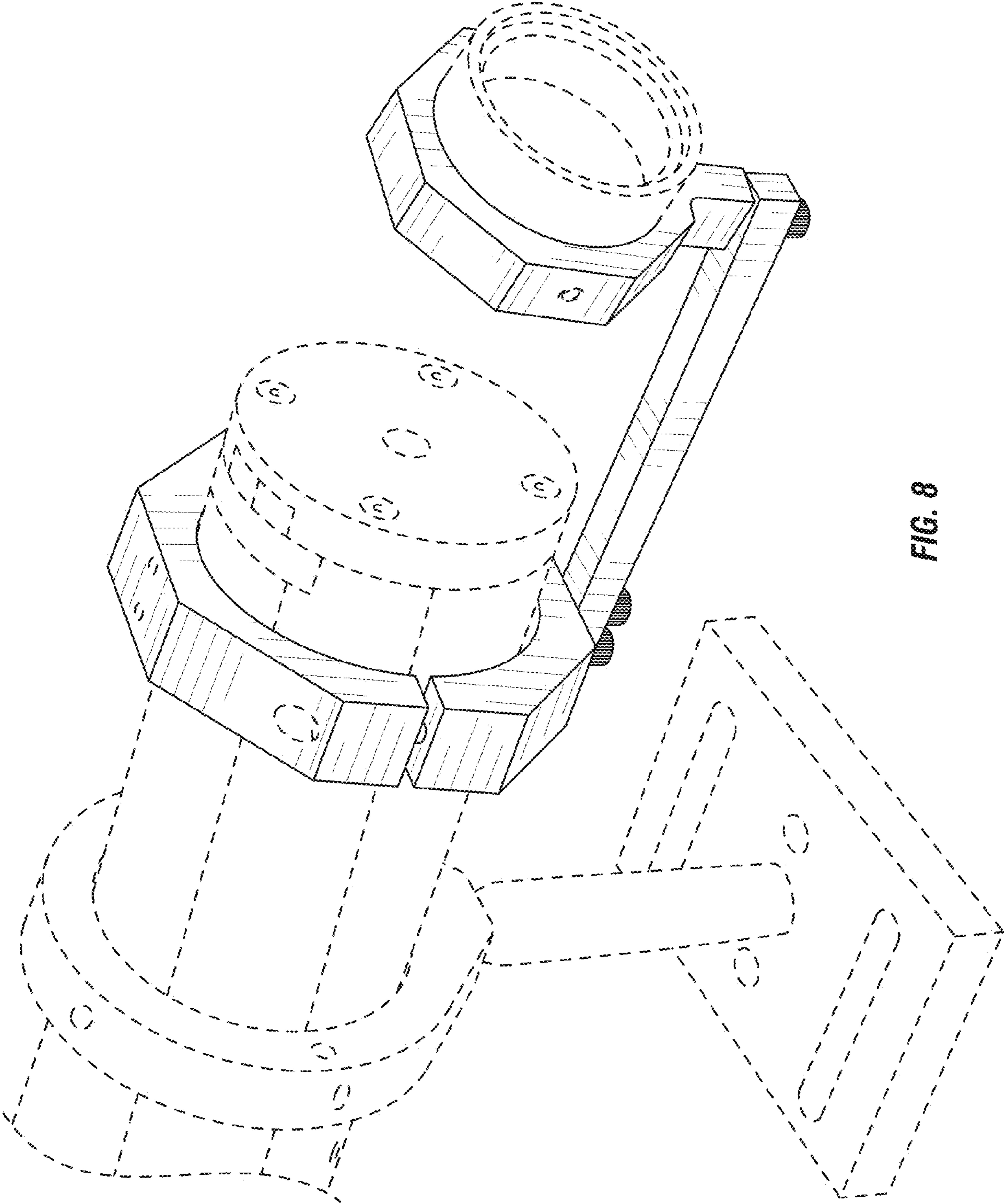


FIG. 8

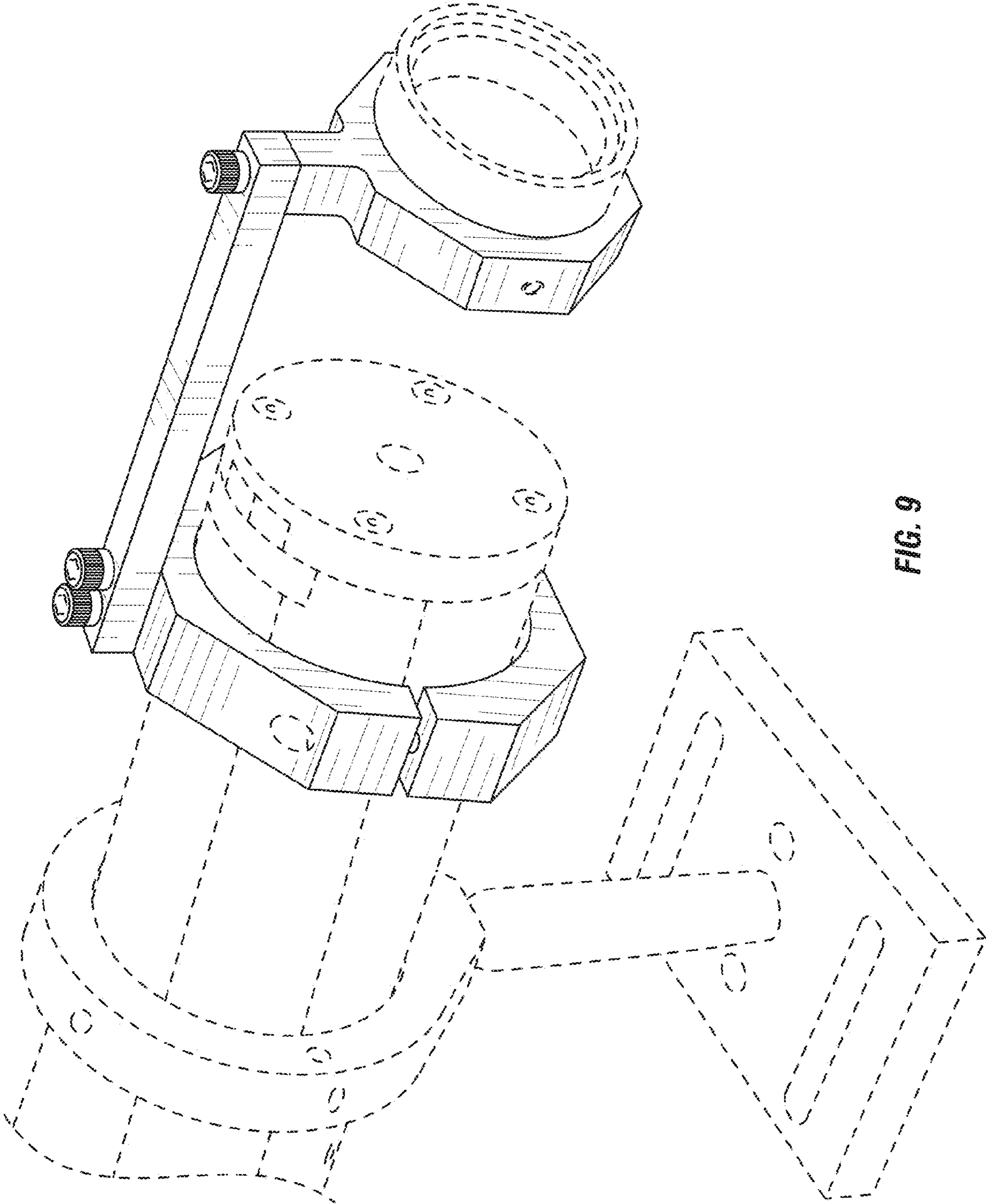


FIG. 9