



US00D947267S

(12) **United States Design Patent**
Lukes et al.

(10) **Patent No.:** **US D947,267 S**
(45) **Date of Patent:** **** Mar. 29, 2022**

- (54) **OPTICAL FILTER CLAMP**
- (71) Applicant: **Agile Focus Designs, LLC**, Bozeman, MT (US)
- (72) Inventors: **Sarah Jane Lukes**, Bozeman, MT (US); **Daniel James Traucht**, Livingston, MT (US)
- (**) Term: **15 Years**
- (21) Appl. No.: **29/727,403**
- (22) Filed: **Mar. 10, 2020**
- (51) **LOC (13) Cl.** **16-99**
- (52) **U.S. Cl.**
USPC **D16/130**
- (58) **Field of Classification Search**
USPC D10/70, 109.1, 109.2; D16/134, 130, D16/131, 132, 135, 136, 202-208, 245, D16/219; D24/120, 113, 118, 119, 121, D24/122, 124, 125, 128
CPC ... G01C 3/00; G01C 3/02; G01C 3/04; G01C 3/06; G01C 3/08; G01C 3/085; G01C 3/10; G01C 3/12; G01C 3/16; G01C 3/18; G01C 3/20; G01C 3/22; G01C 3/24; G01C 3/26; G01C 3/28; G01C 3/30; G01C 3/32; B60Q 1/04; B60Q 1/26; F21S 8/026; F21S 8/04; F21V 29/004; F21V 21/02; F21V 21/04; F21V 29/2212; F21Y 2101/02; G02B 27/026; G02B 23/16; G02B 2003/0093; G02B 3/04; H04J 11/00; H04J 13/00; E06B 9/24; G03B 17/02; C03B 2215/46
See application file for complete search history.

- D342,882 S * 1/1994 Mann D8/72
- 5,283,802 A 2/1994 Hsiung
- D361,033 S * 8/1995 Van Beveren D8/396
- 6,761,467 B2 7/2004 Matthews et al.
- 7,112,761 B2 9/2006 Hughes et al.
- D548,260 S * 8/2007 Nakamura D16/134
- D598,039 S * 8/2009 Owada D16/134
- D614,219 S * 4/2010 Yip D16/135
- D719,605 S * 12/2014 Dordick D16/245
- D780,822 S * 3/2017 Awazu D16/219
- D781,949 S * 3/2017 Lee D16/219

(Continued)

Primary Examiner — Richard Kearney
Assistant Examiner — Benjamin M Weeks
(74) *Attorney, Agent, or Firm* — Antoinette M. Tease

(57) **CLAIM**

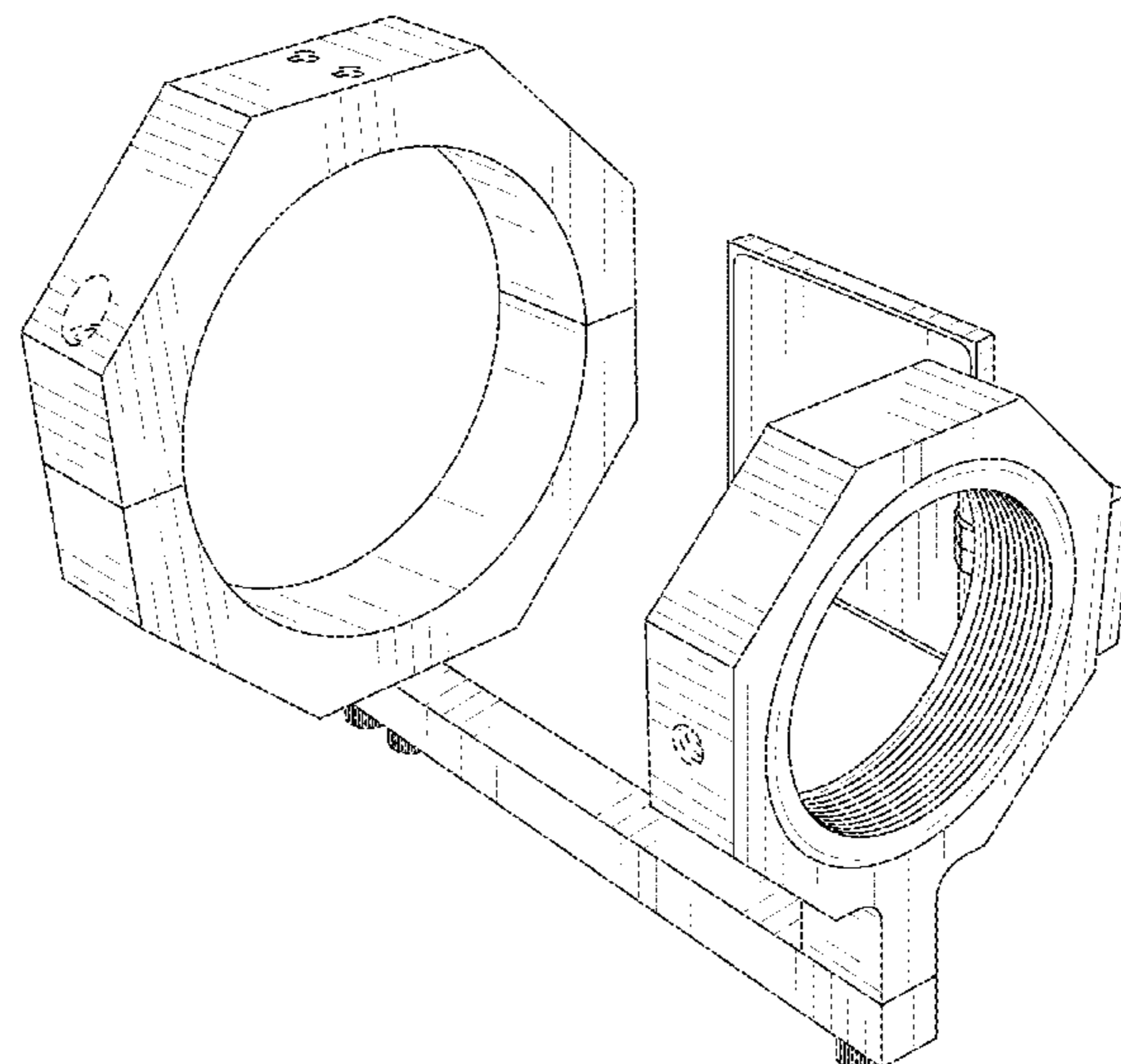
The design for an optical filter clamp, as shown and described.

DESCRIPTION

FIG. 1 is a top left perspective view of the optical filter clamp showing our new design in an open position.
 FIG. 2 is a left side view thereof.
 FIG. 3 is a right side view thereof.
 FIG. 4 is a top view thereof.
 FIG. 5 is a bottom view thereof.
 FIG. 6 is a front view thereof.
 FIG. 7 is a rear view thereof.
 FIG. 8 is a top left perspective view of the optical filter clamp shown in a first alternate condition of use.
 FIG. 9 is a second top left perspective view thereof shown in a second alternate condition of use.
 FIG. 10 is a third top left perspective view in the first alternate condition of use shown in an environment of use; and,
 FIG. 11 is a bottom right perspective view thereof shown in an environment of use.
 The broken lines depict portions of the article and environmental structure that form no part of the claimed design.

1 Claim, 11 Drawing Sheets

- (56) **References Cited**
U.S. PATENT DOCUMENTS
4,050,037 A 9/1977 Knowles et al.
D294,330 S * 2/1988 Keck D8/395
5,193,099 A 3/1993 Chou



(56)

References Cited

U.S. PATENT DOCUMENTS

D823,368 S *	7/2018	Kessler	D16/135
D825,642 S *	8/2018	Maiwald	D16/242
10,302,528 B2	5/2019	Ilev et al.	
D854,737 S *	7/2019	Moore	D26/124
D857,974 S *	8/2019	Rohland	D26/113
D879,181 S *	3/2020	Lu	D16/219
D888,136 S *	6/2020	Handler	D16/237
D915,488 S *	4/2021	Shimasaki	D16/136
D938,271 S *	12/2021	Shen	D8/396
2003/0021109 A1	1/2003	Matthews et al.	
2006/0175308 A1	8/2006	Hughes et al.	
2018/0275013 A1	9/2018	Ilev et al.	

* cited by examiner

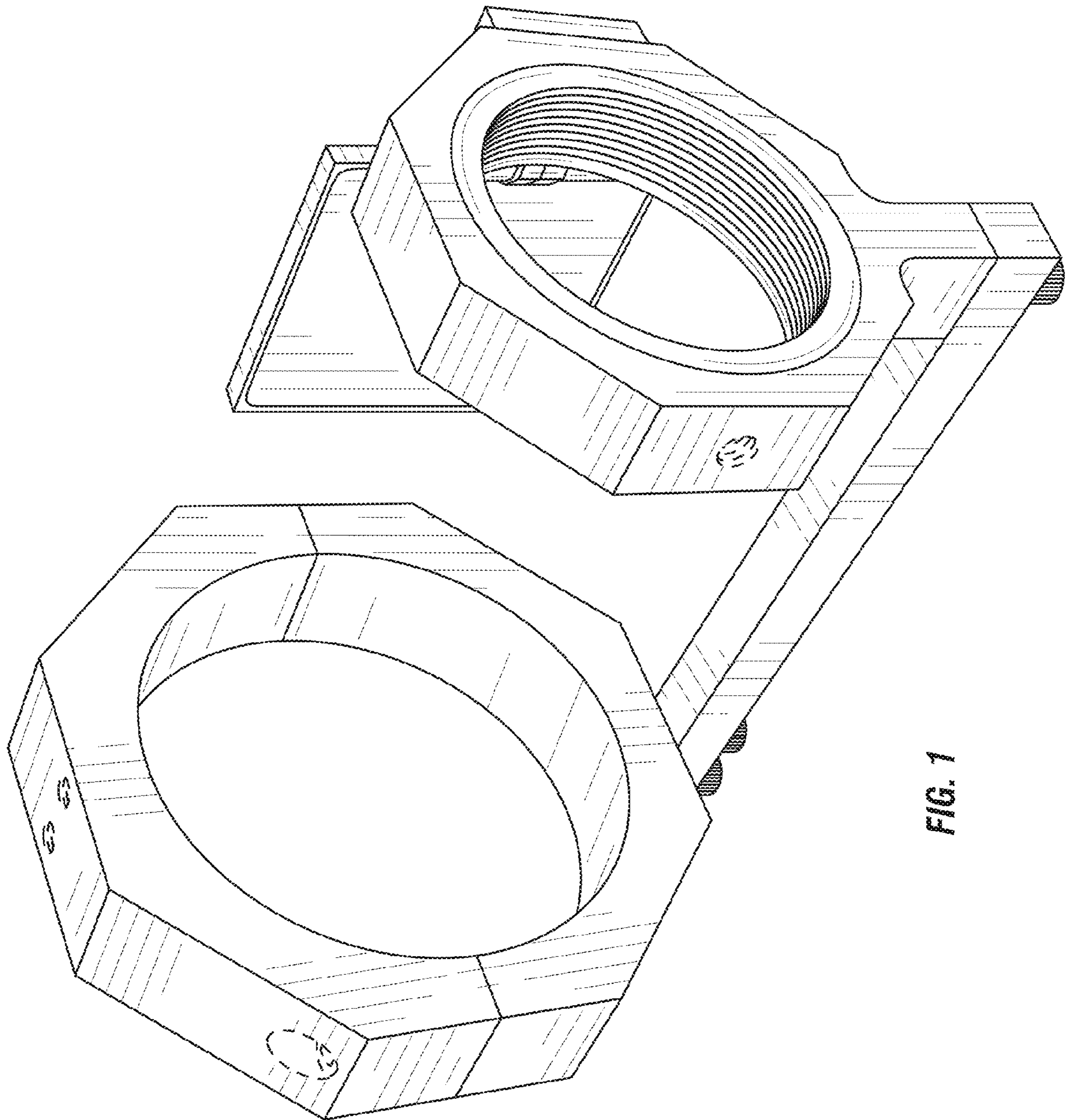


FIG. 1

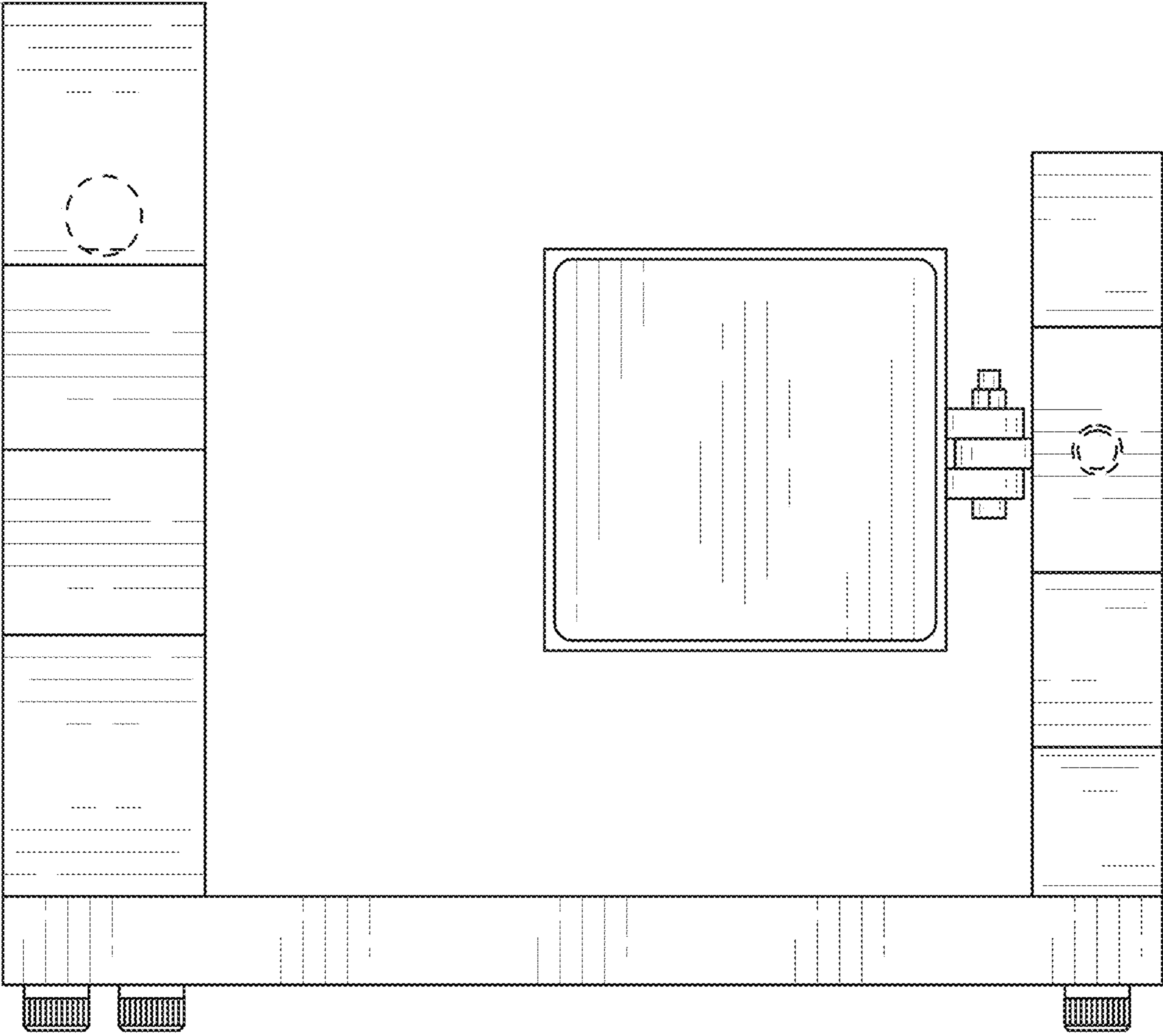


FIG. 2

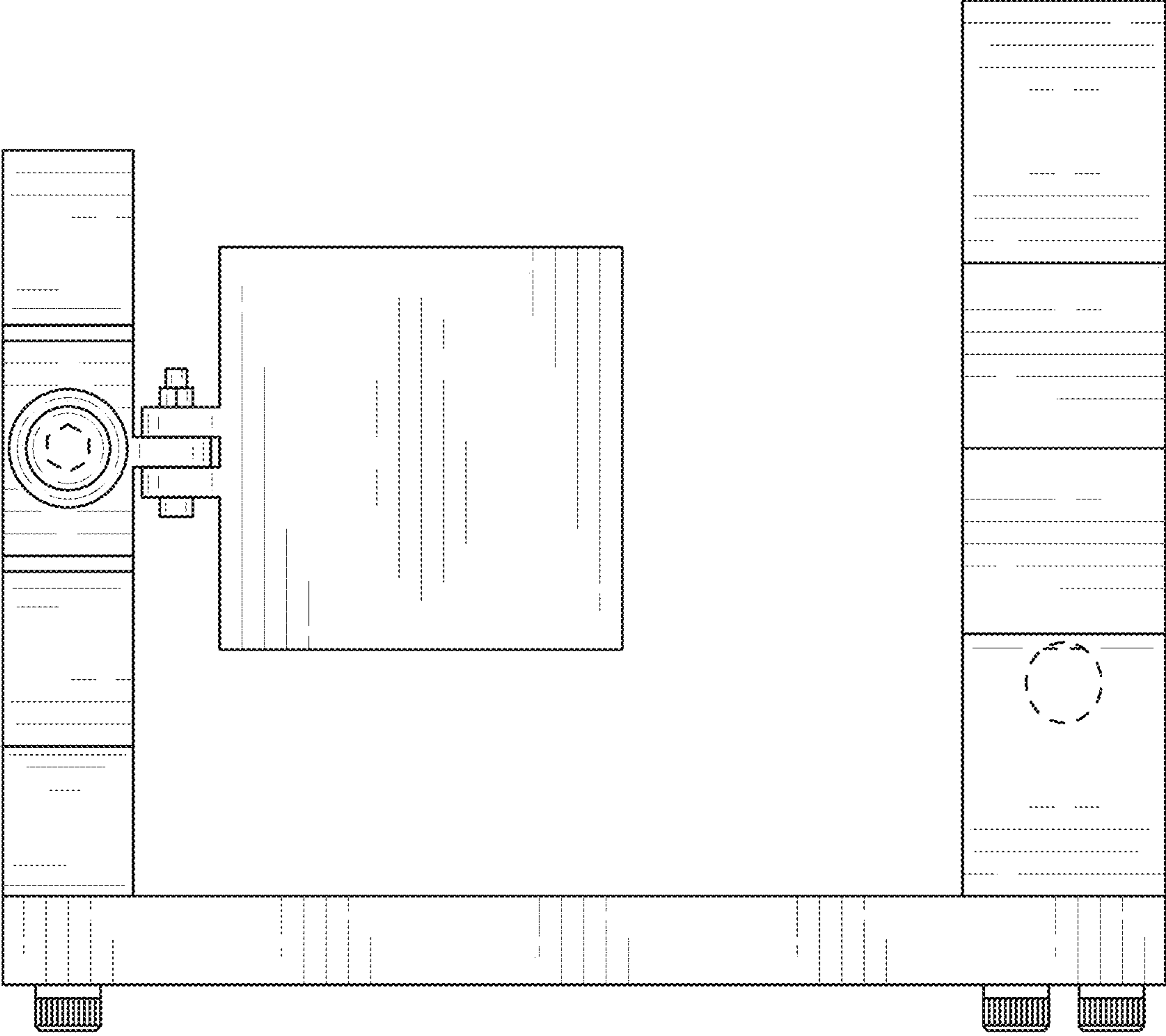


FIG. 3

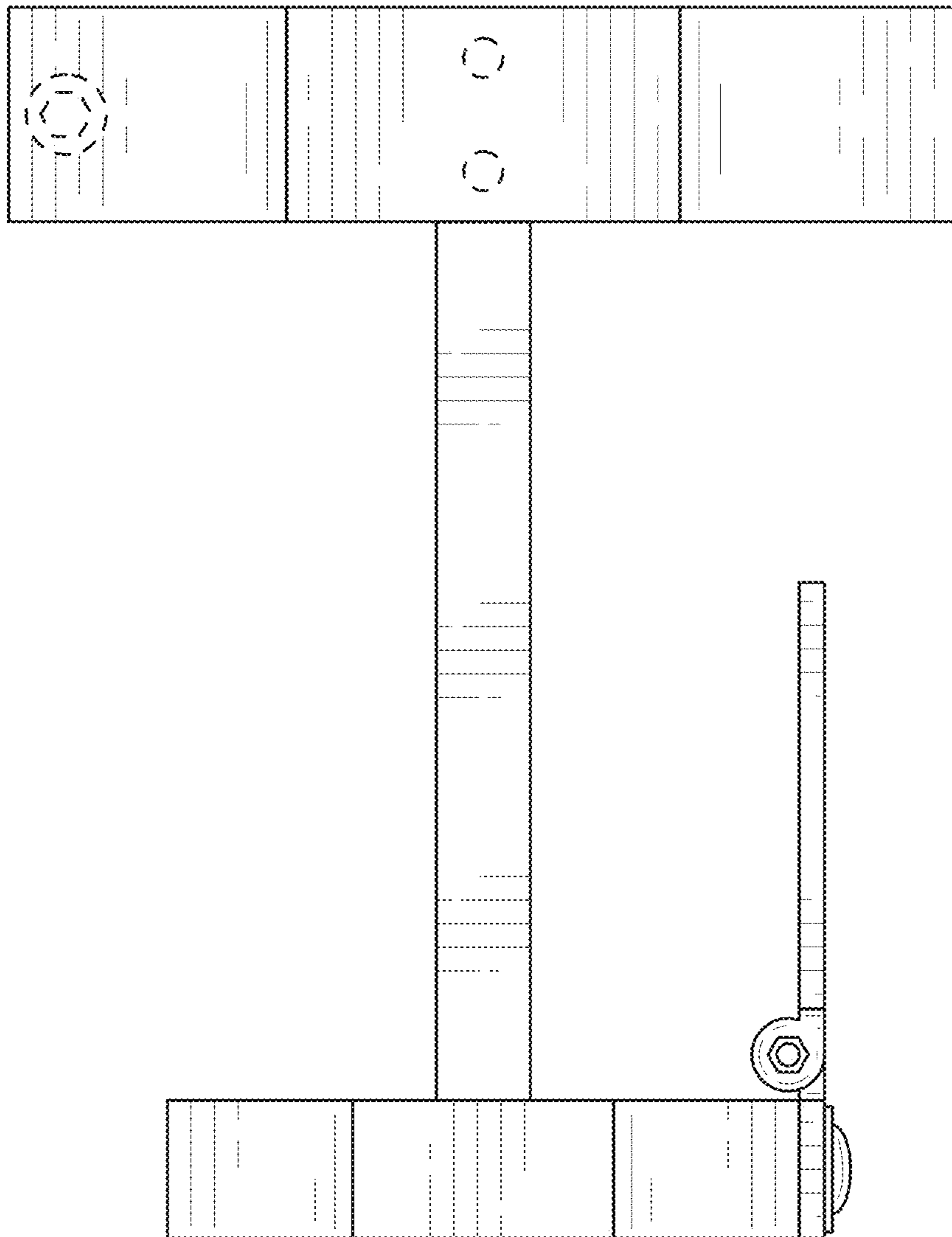


FIG. 4

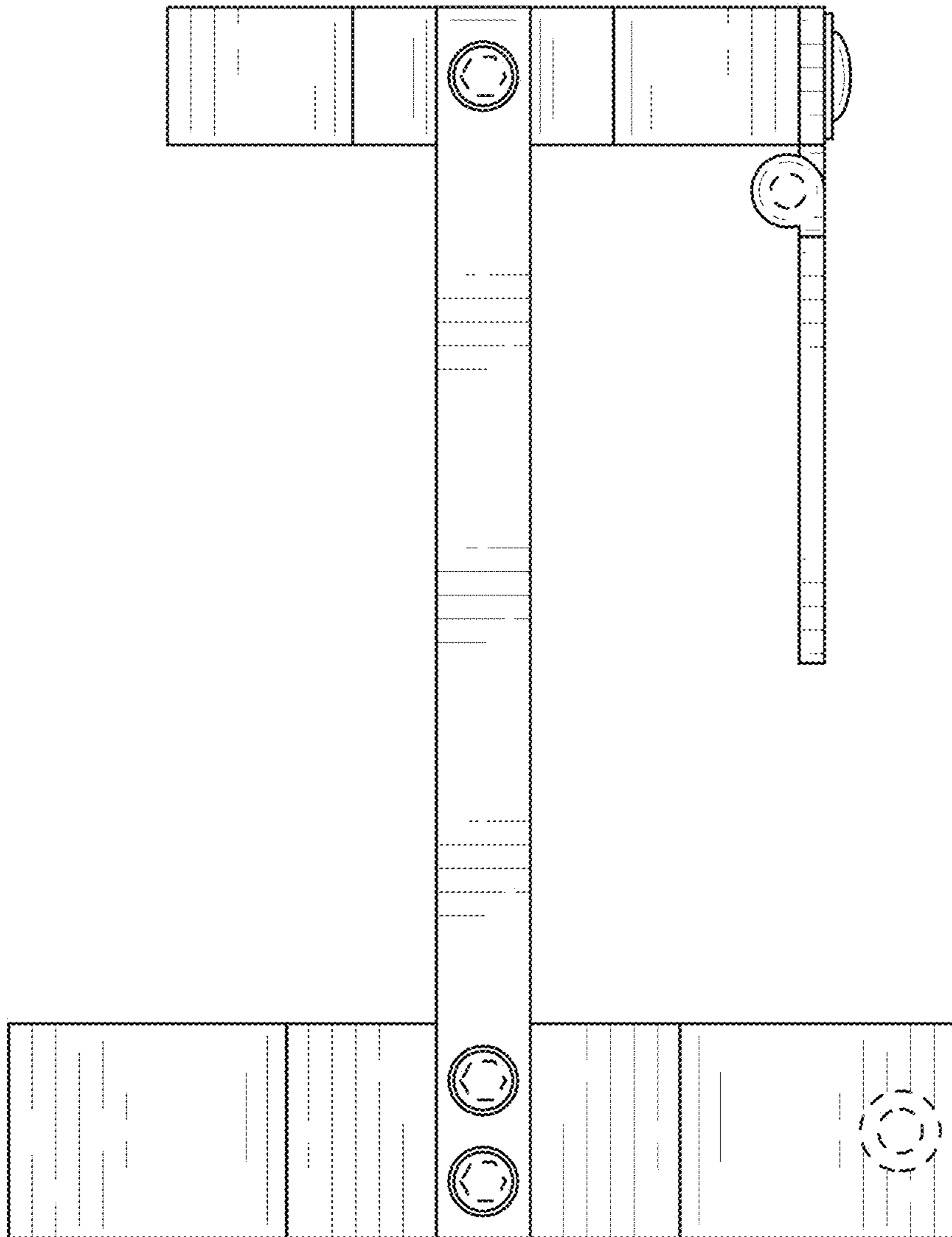


FIG. 5

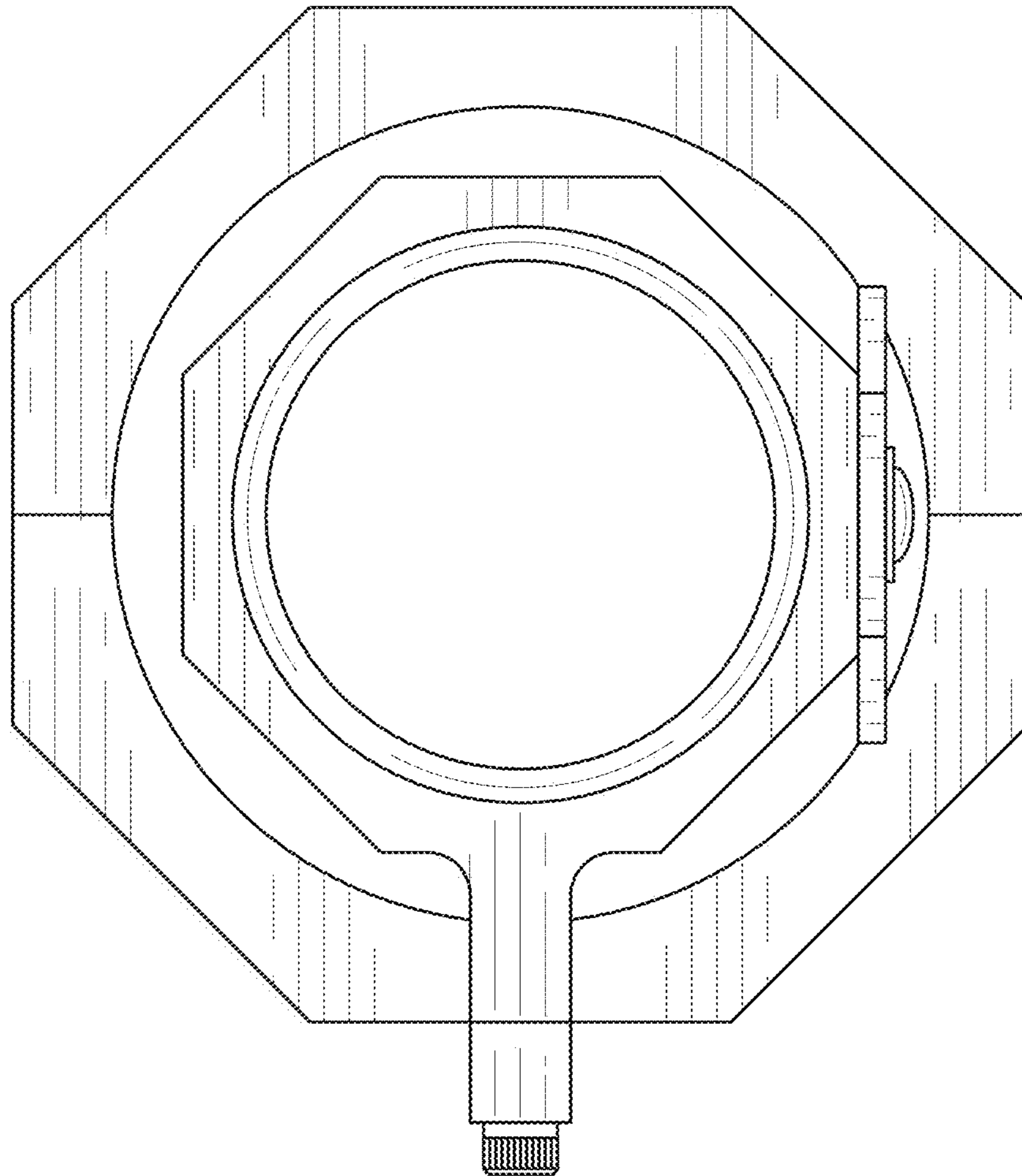


FIG. 6

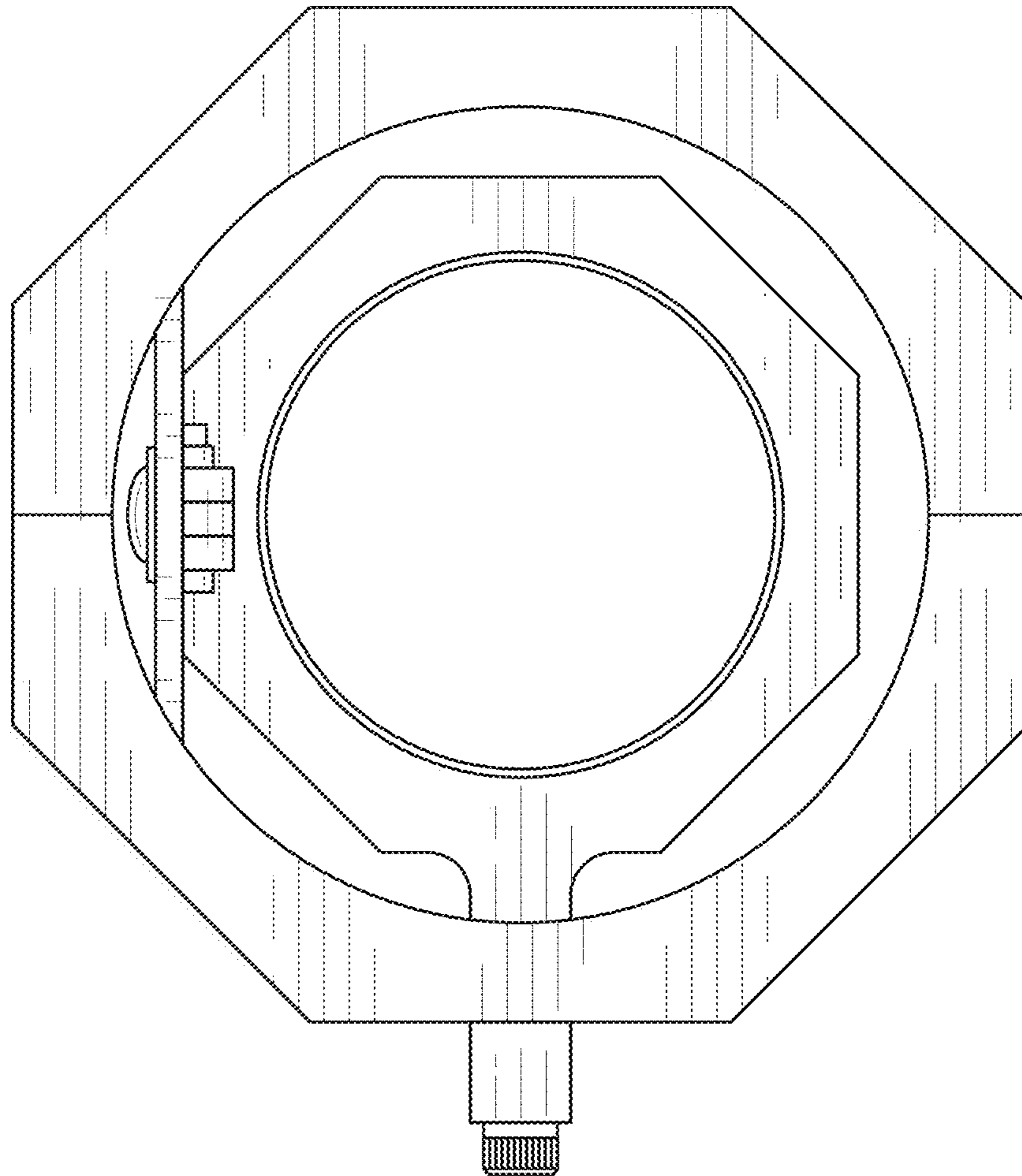


FIG. 7

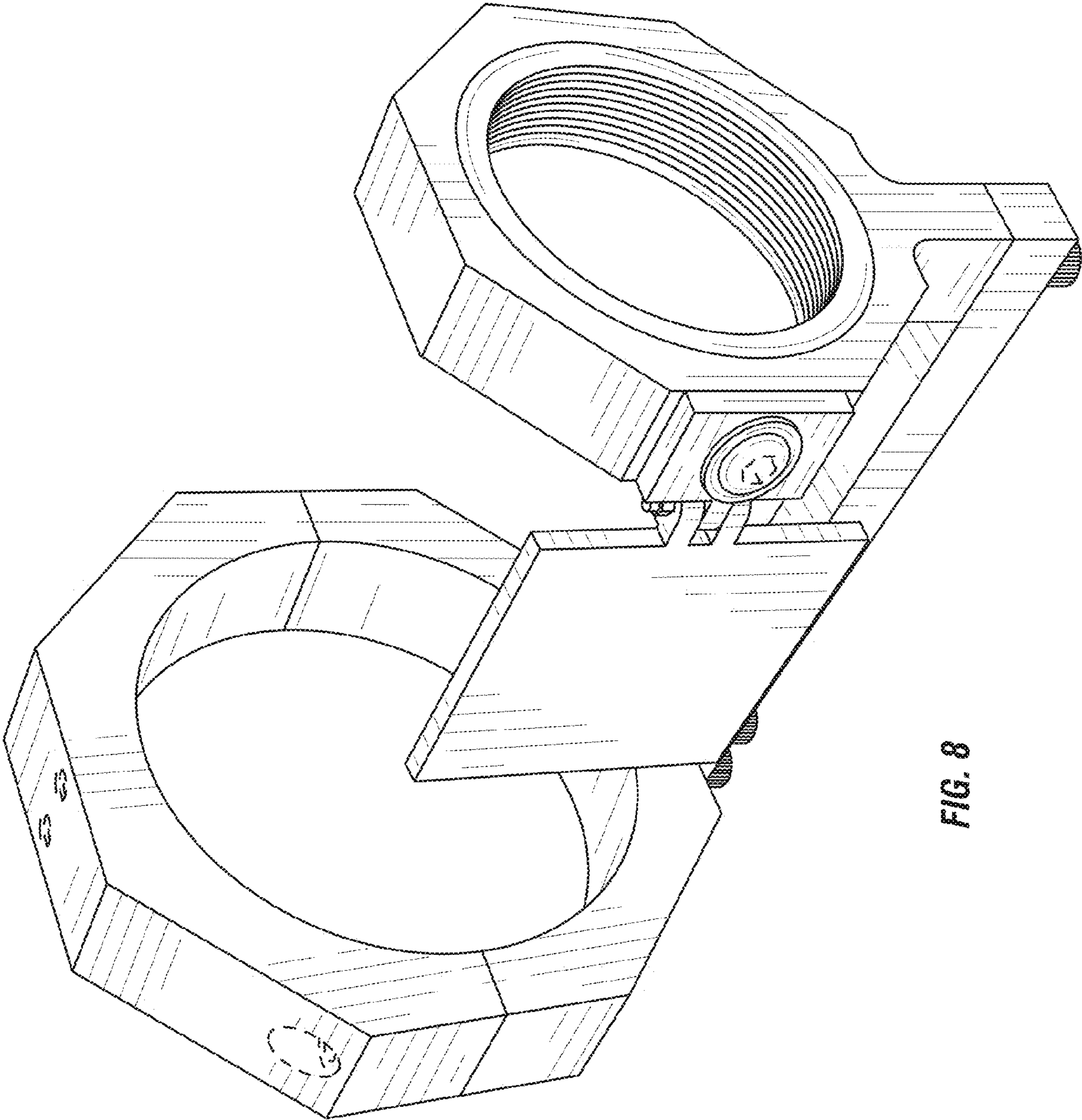


FIG. 8

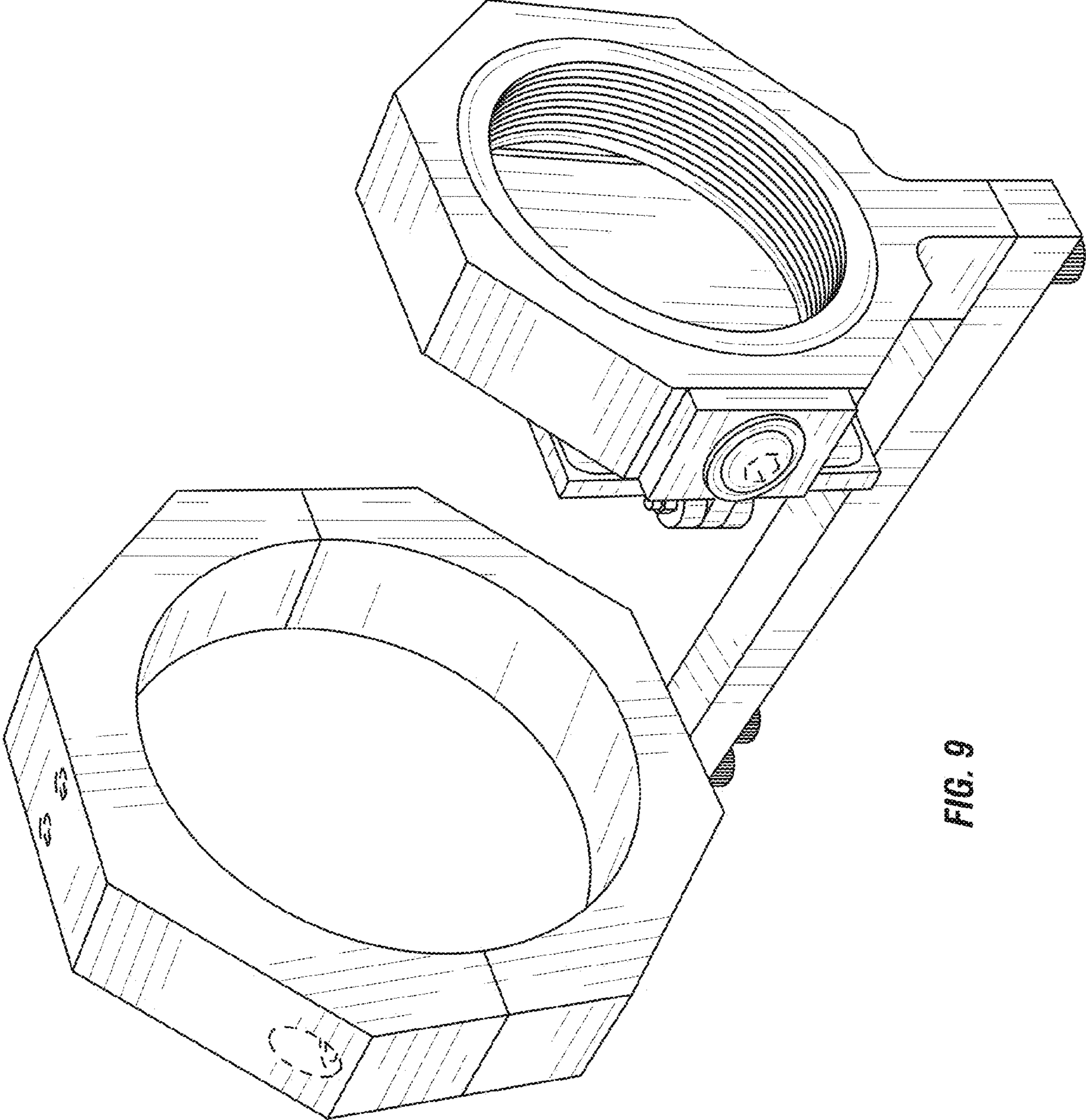


FIG. 9

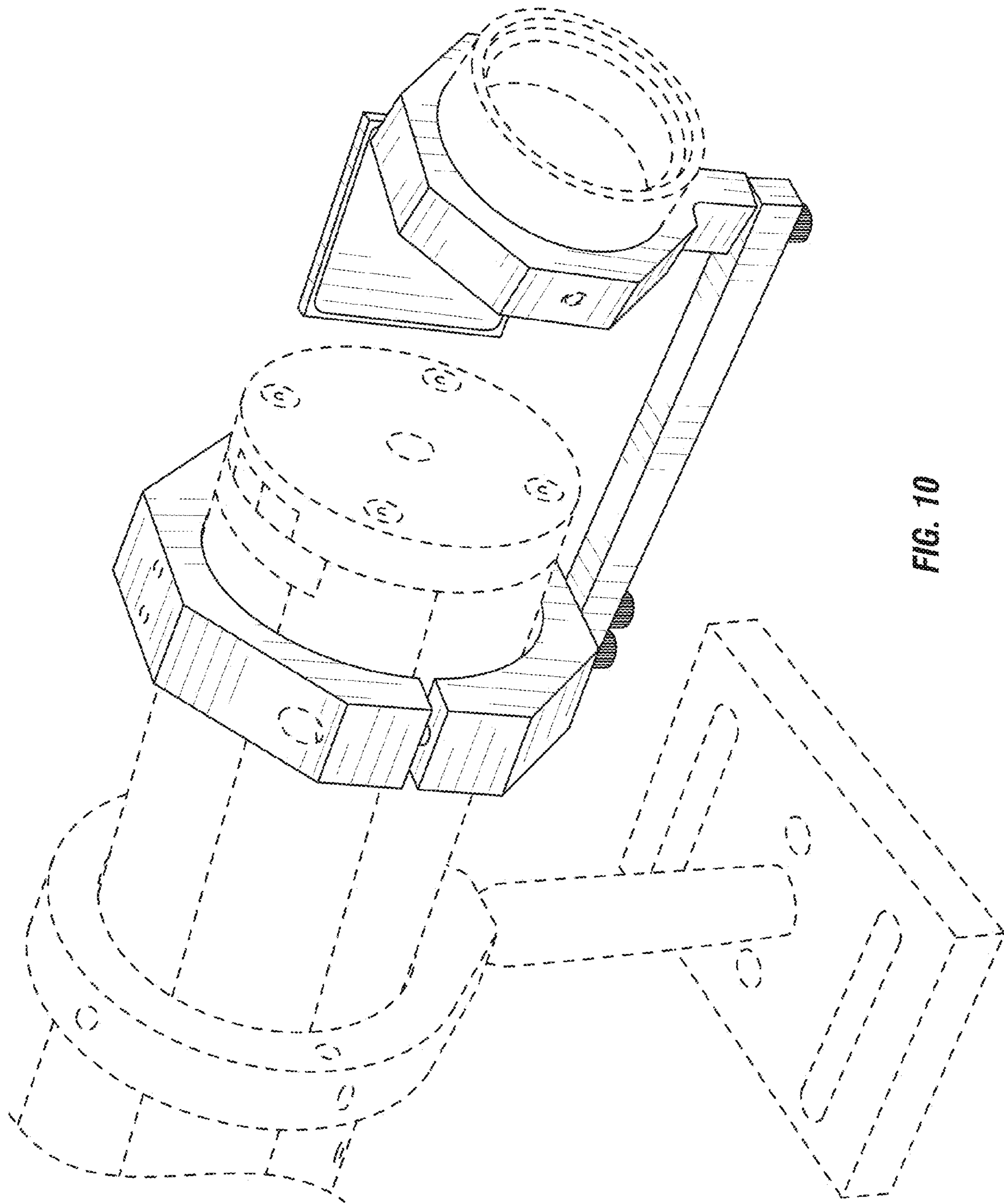


FIG. 10

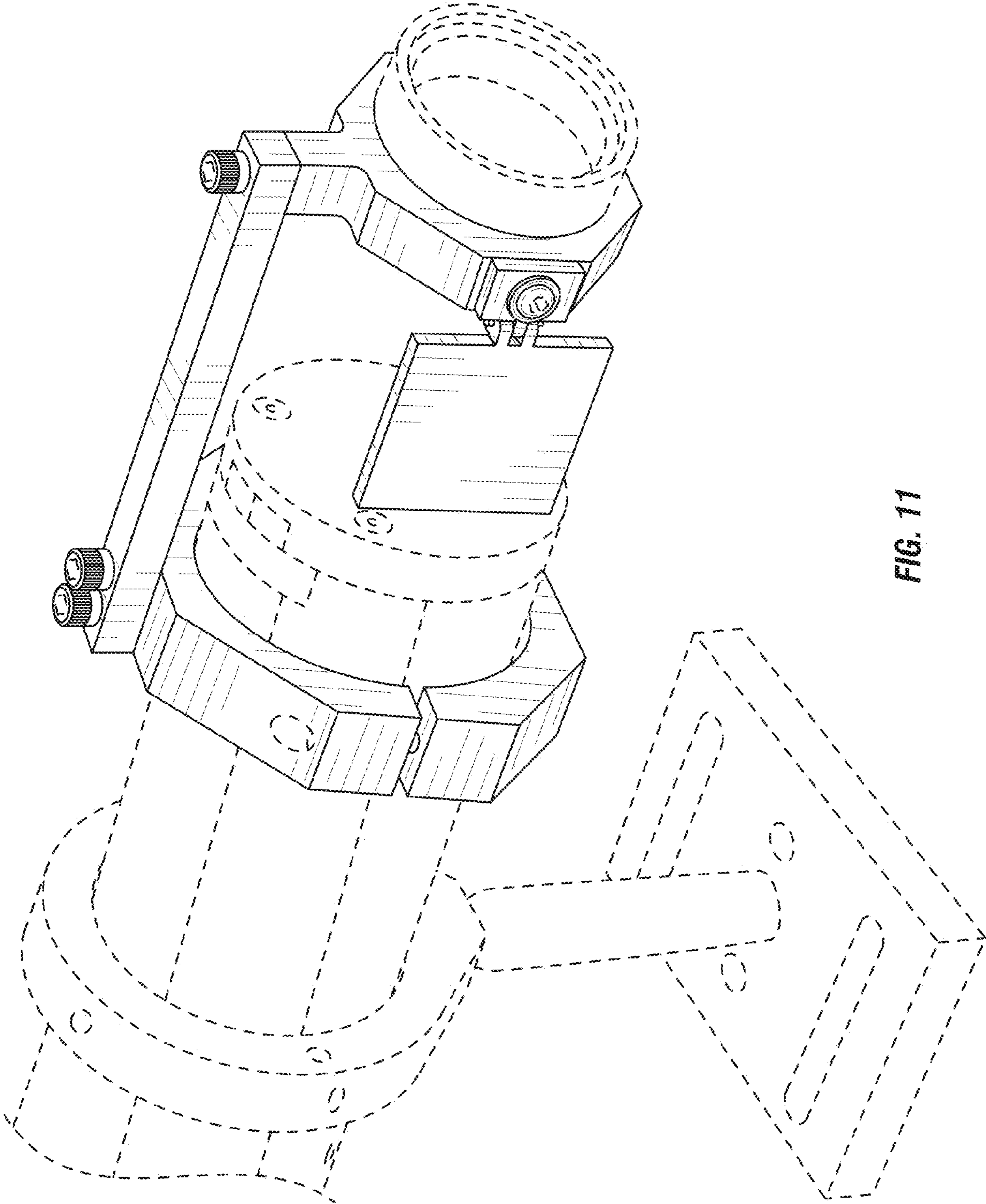


FIG. 11