



US00D947265S

(12) **United States Design Patent**
Yamashiro et al.

(10) **Patent No.:** **US D947,265 S**
(45) **Date of Patent:** **** Mar. 29, 2022**

(54) **INDUSTRIAL ROBOT**

(71) Applicant: **FANUC CORPORATION**, Yamanashi (JP)

(72) Inventors: **Hikaru Yamashiro**, Yamanashi (JP); **Kei Watanabe**, Yamanashi (JP); **Keishi Yoneda**, Yamanashi (JP); **Masahide Shinagawa**, Yamanashi (JP); **Harutora Inaba**, Yamanashi (JP)

(73) Assignee: **FANUC CORPORATION**, Yamanashi (JP)

(**) Term: **15 Years**

(21) Appl. No.: **29/737,921**

(22) Filed: **Jun. 12, 2020**

(30) **Foreign Application Priority Data**

Dec. 13, 2019 (JP) 2019-027713

(51) **LOC (13) Cl.** **15-99**

(52) **U.S. Cl.**
USPC **D15/199**

(58) **Field of Classification Search**

USPC D15/122, 199; D21/578-583; D32/21; D34/34

CPC B25J 9/046; B25J 9/042; B25J 9/06; H01L 21/67766

See application file for complete search history.

(56) **References Cited**

U.S. PATENT DOCUMENTS

D502,881 S * 3/2005 Raab D10/63
D503,117 S * 3/2005 Raab D10/63
D569,886 S * 5/2008 Larsson D15/199
D616,909 S * 6/2010 Long D15/199
D677,294 S * 3/2013 Long D15/199
D692,041 S * 10/2013 Selic D15/199

D716,357 S * 10/2014 Gombert D15/199
D740,371 S * 10/2015 Ries D21/333
D761,339 S * 7/2016 White, Jr. D15/199
D776,178 S * 1/2017 Ries D15/199
D802,041 S * 11/2017 He D15/199
D807,936 S * 1/2018 He D15/199
D824,977 S * 8/2018 Everman D15/199
D837,853 S * 1/2019 Deng D15/199
D841,065 S * 2/2019 Hontani D15/199
D841,712 S * 2/2019 Hontani D15/199
D865,828 S * 11/2019 Bogart B25J 19/0075
74/490.01
D873,878 S * 1/2020 Vazquez D15/199
D874,530 S * 2/2020 Haddadin D15/199

(Continued)

FOREIGN PATENT DOCUMENTS

WO WO-2021013995 A1 * 1/2021 B25J 9/08
WO WO-2021017175 A1 * 2/2021

Primary Examiner — Patricia A Palasik

(74) *Attorney, Agent, or Firm* — Banner & Witcoff, Ltd.

(57) **CLAIM**

The ornamental design for an industrial robot, as shown and described.

DESCRIPTION

FIG. 1 is a first perspective view of an industrial robot showing our new design;

FIG. 2 is a second perspective view thereof;

FIG. 3 is a front view thereof;

FIG. 4 is a rear view thereof;

FIG. 5 is a right side view thereof;

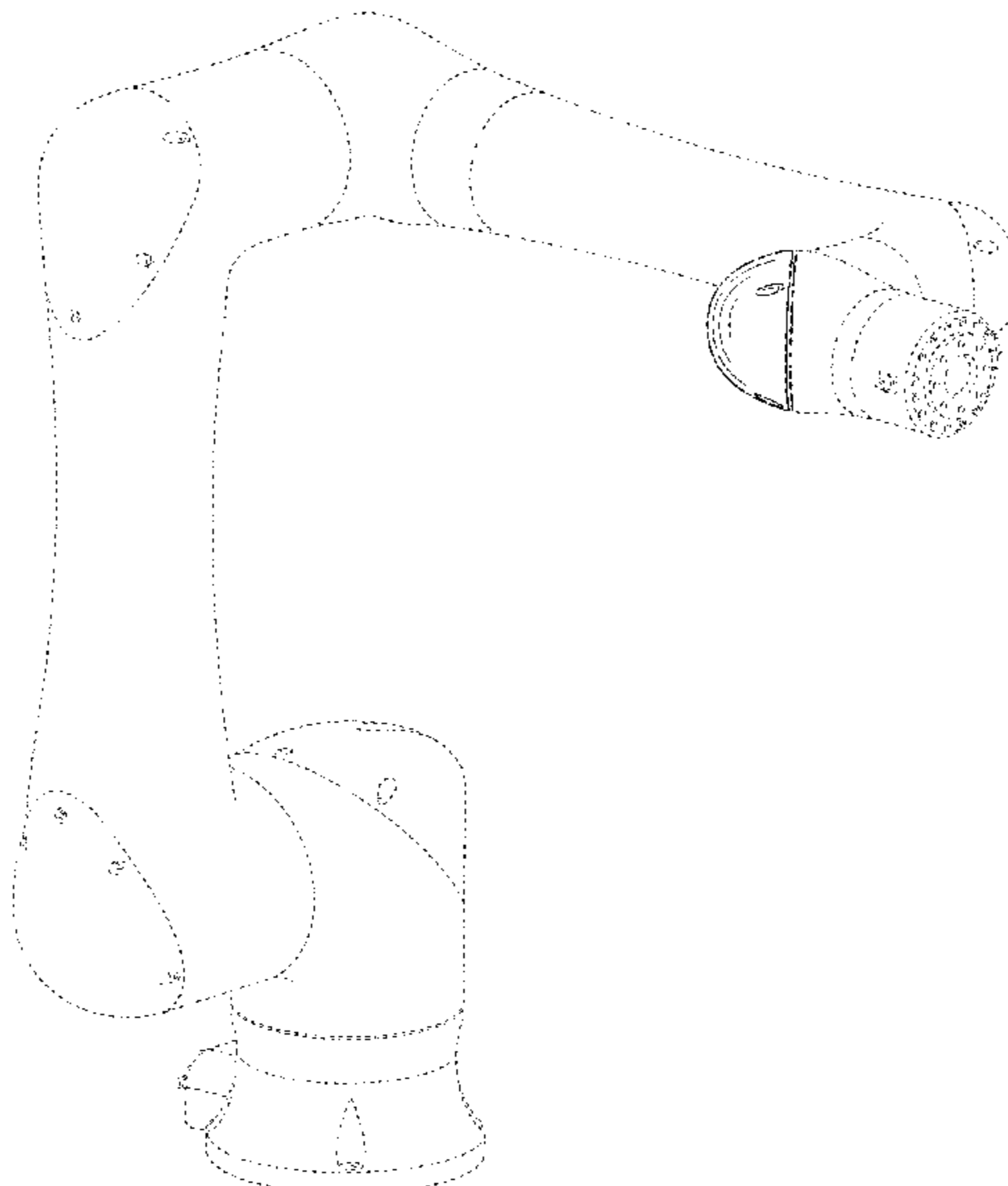
FIG. 6 is a left side view thereof;

FIG. 7 is a top plan view thereof; and,

FIG. 8 is a bottom plan view thereof.

The uneven-length broken line defines the bounds of the claimed design and forms no part thereof. The even-length broken line showing of the remainder of the industrial robot forms no part of the claimed design.

1 Claim, 8 Drawing Sheets



(56)

References Cited

U.S. PATENT DOCUMENTS

D877,787	S *	3/2020	Kinoshita	D10/63
D906,392	S *	12/2020	Wappler	D10/63
D912,117	S *	3/2021	Berkowitz	D15/199
D935,502	S *	11/2021	Yamashiro	D15/199
2005/0092122	A1 *	5/2005	Markert	B25J 19/0075 74/490.01
2010/0131099	A1 *	5/2010	Birkenbach	G05B 19/402 700/254
2011/0064554	A1 *	3/2011	Ito	B25J 9/047 414/735
2011/0265597	A1 *	11/2011	Long	B25J 17/0258 74/490.05
2012/0085191	A1 *	4/2012	Long	B25J 17/02 74/423
2013/0118286	A1 *	5/2013	Long	B25J 17/0283 74/490.01
2013/0125694	A1 *	5/2013	Long	B25J 11/0075 74/490.01
2013/0125696	A1 *	5/2013	Long	B25J 18/04 74/490.05
2013/0145891	A1 *	6/2013	Long	B25J 9/104 74/490.02
2016/0327383	A1 *	11/2016	Becker	G01B 11/005
2016/0331482	A1 *	11/2016	Hares	A61B 34/35

* cited by examiner

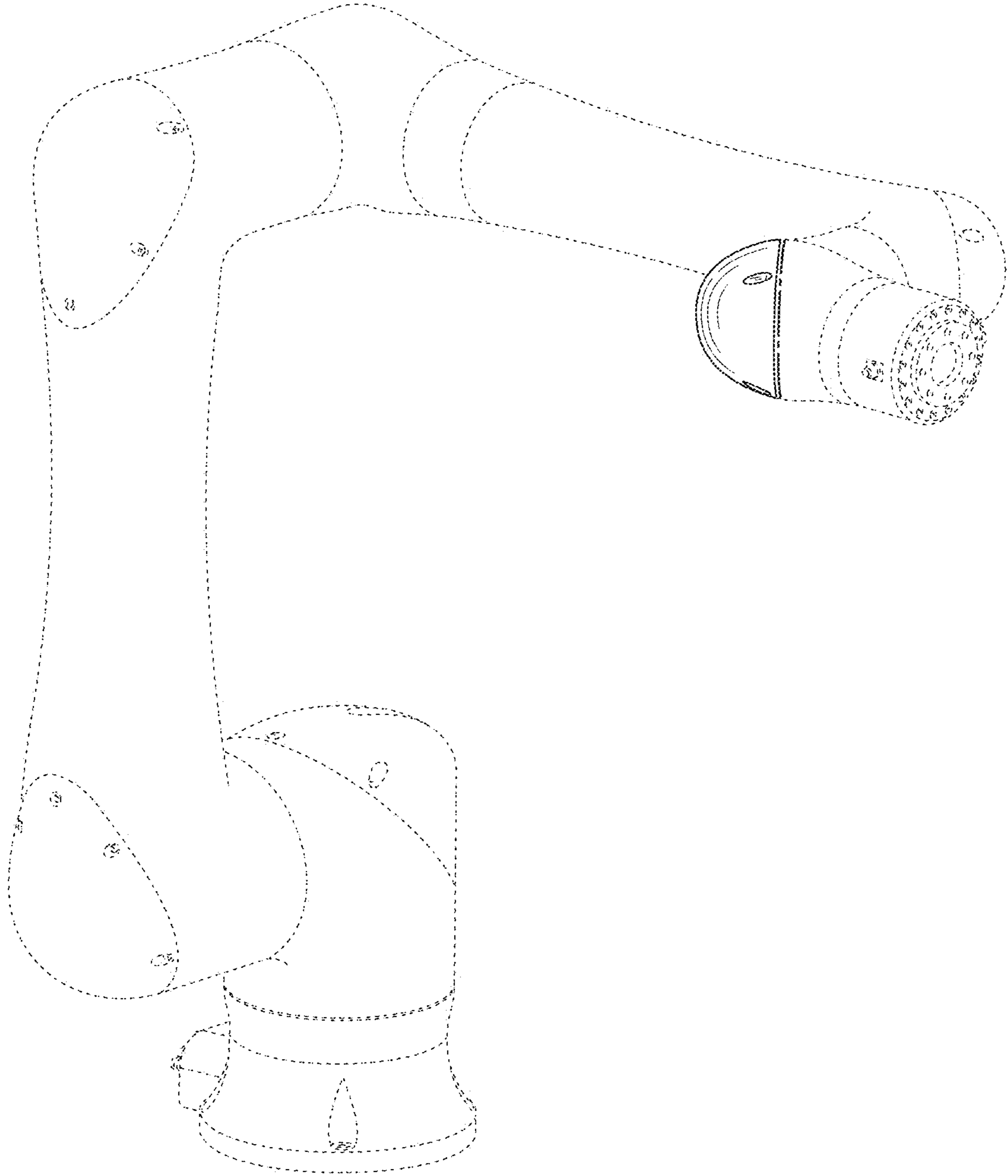


FIG. 1

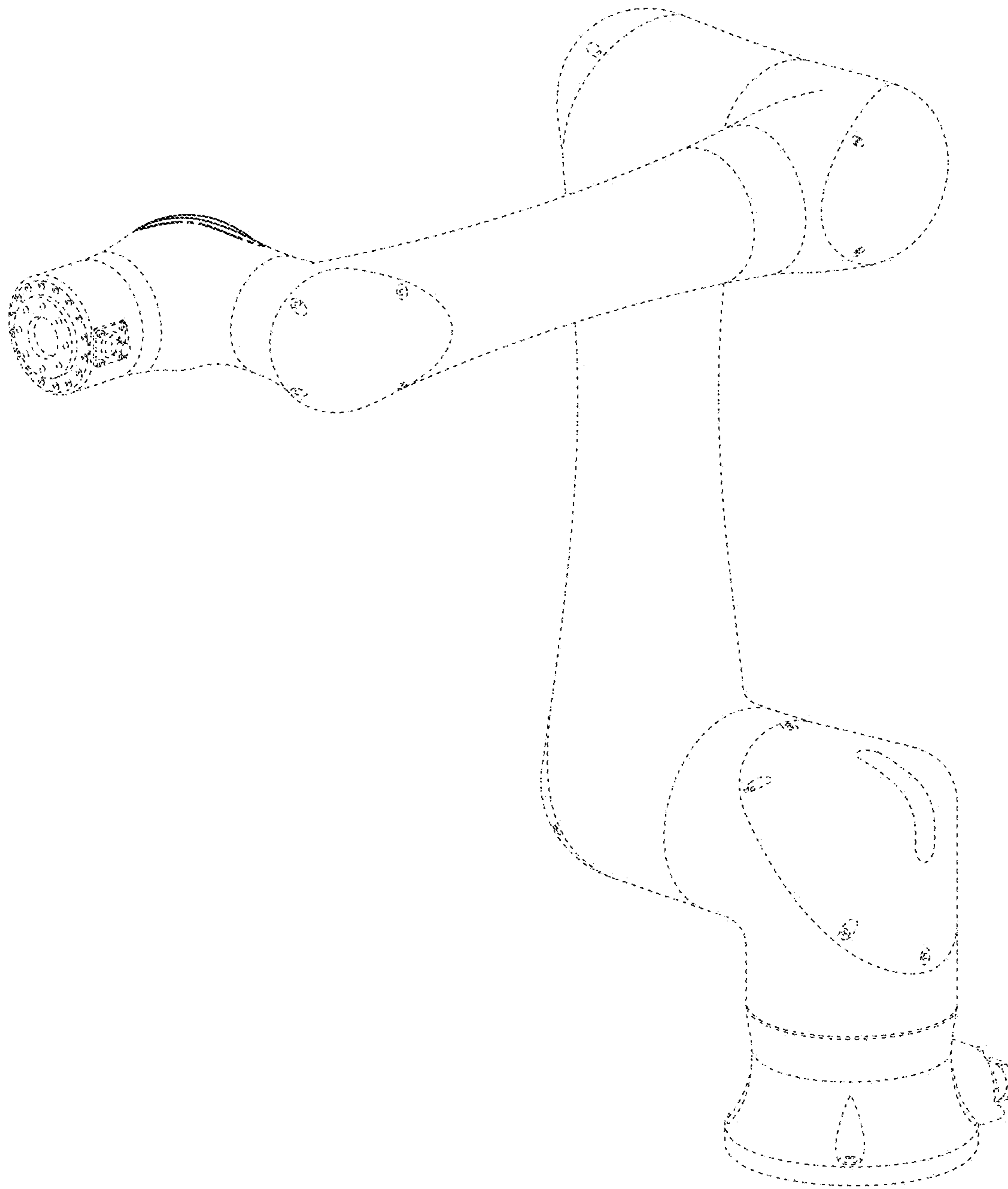


FIG. 2

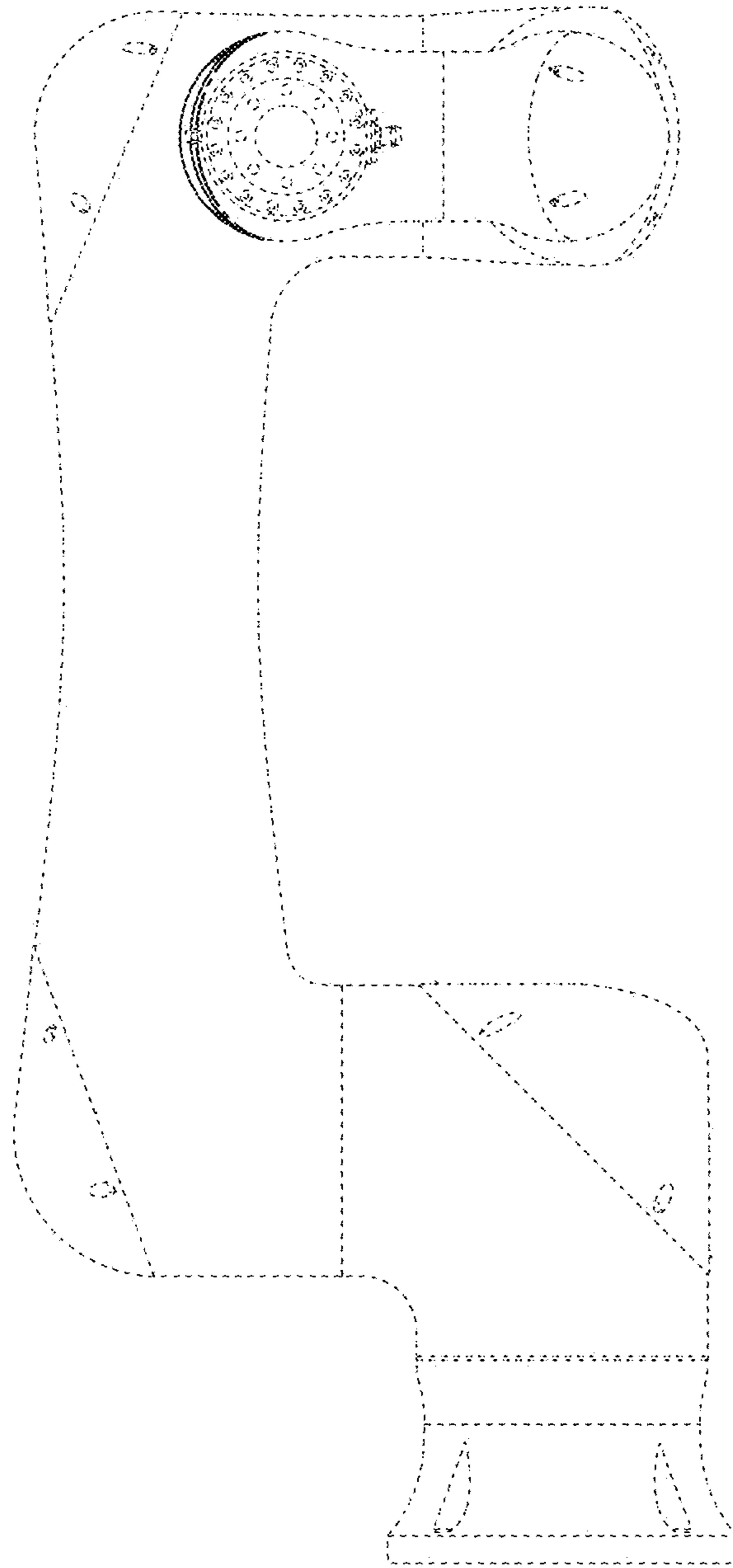


FIG. 3

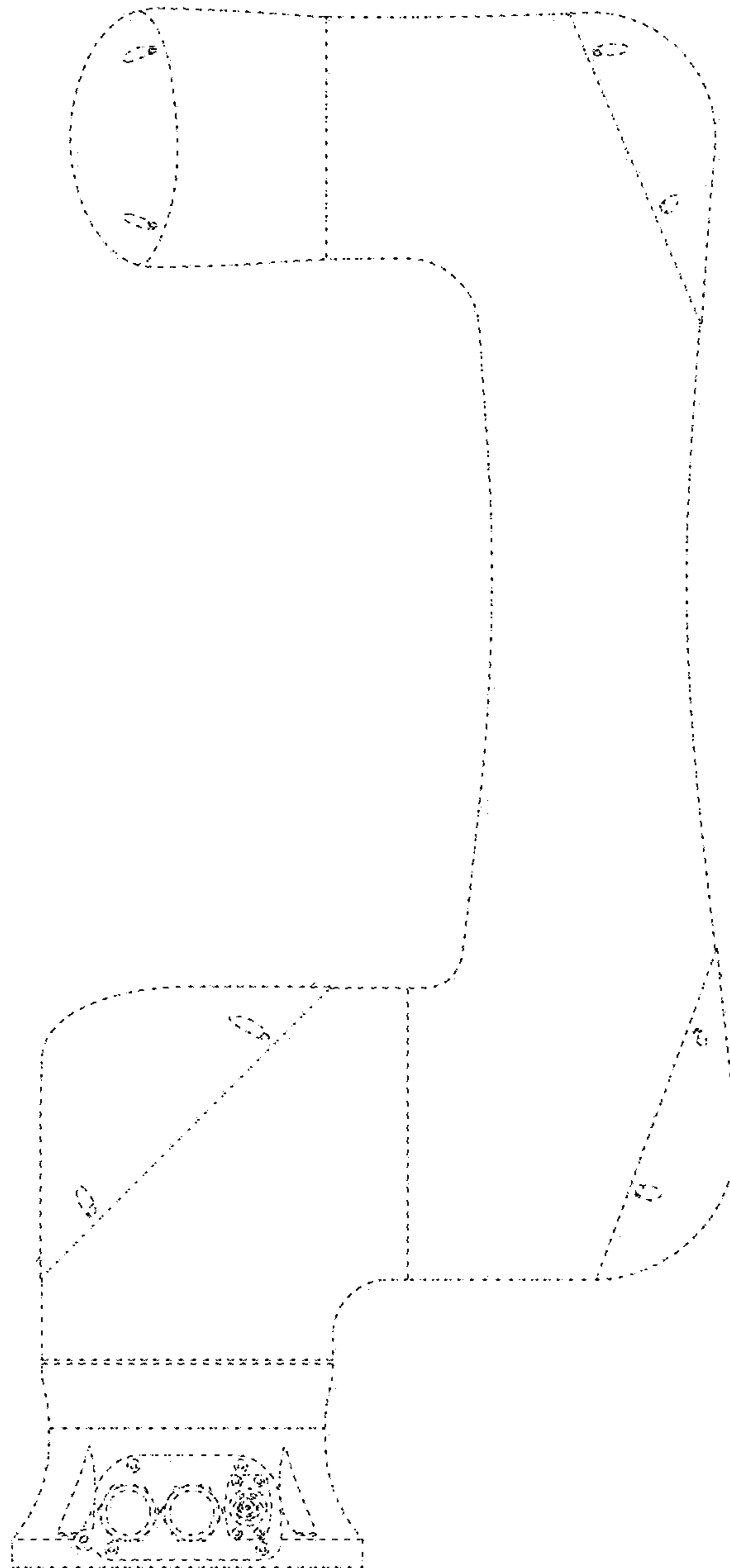


FIG. 4

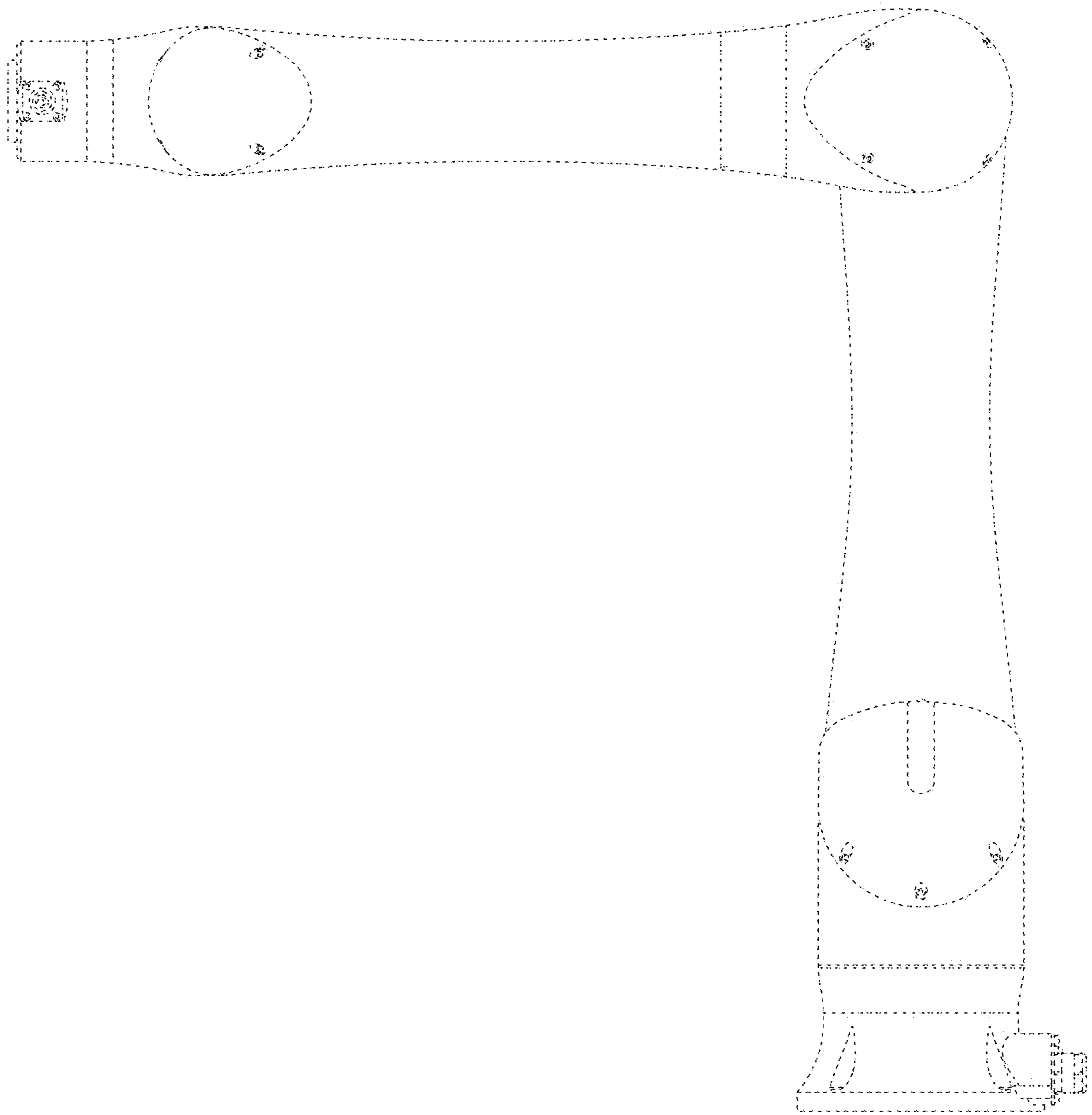


FIG. 5

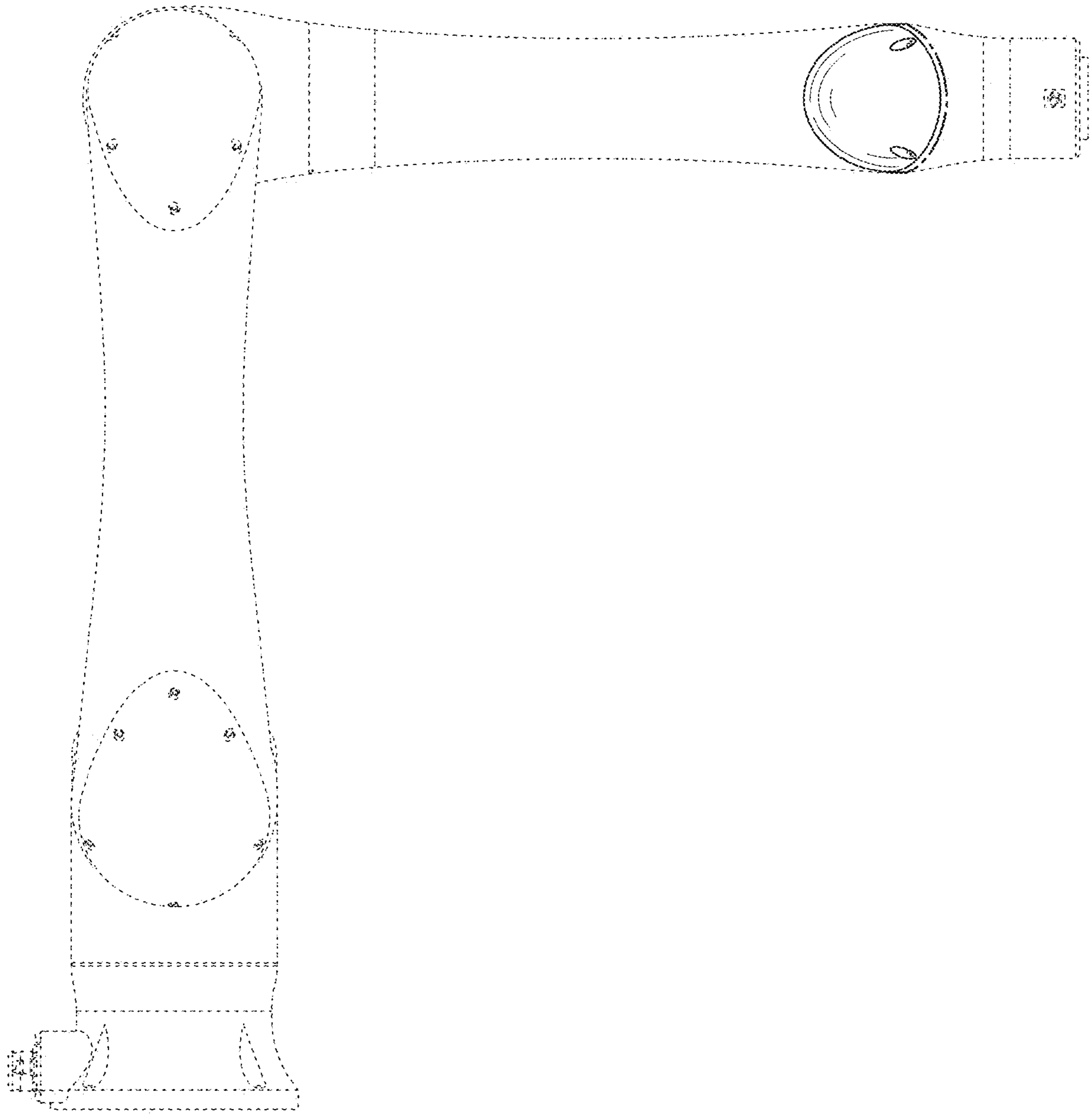


FIG. 6

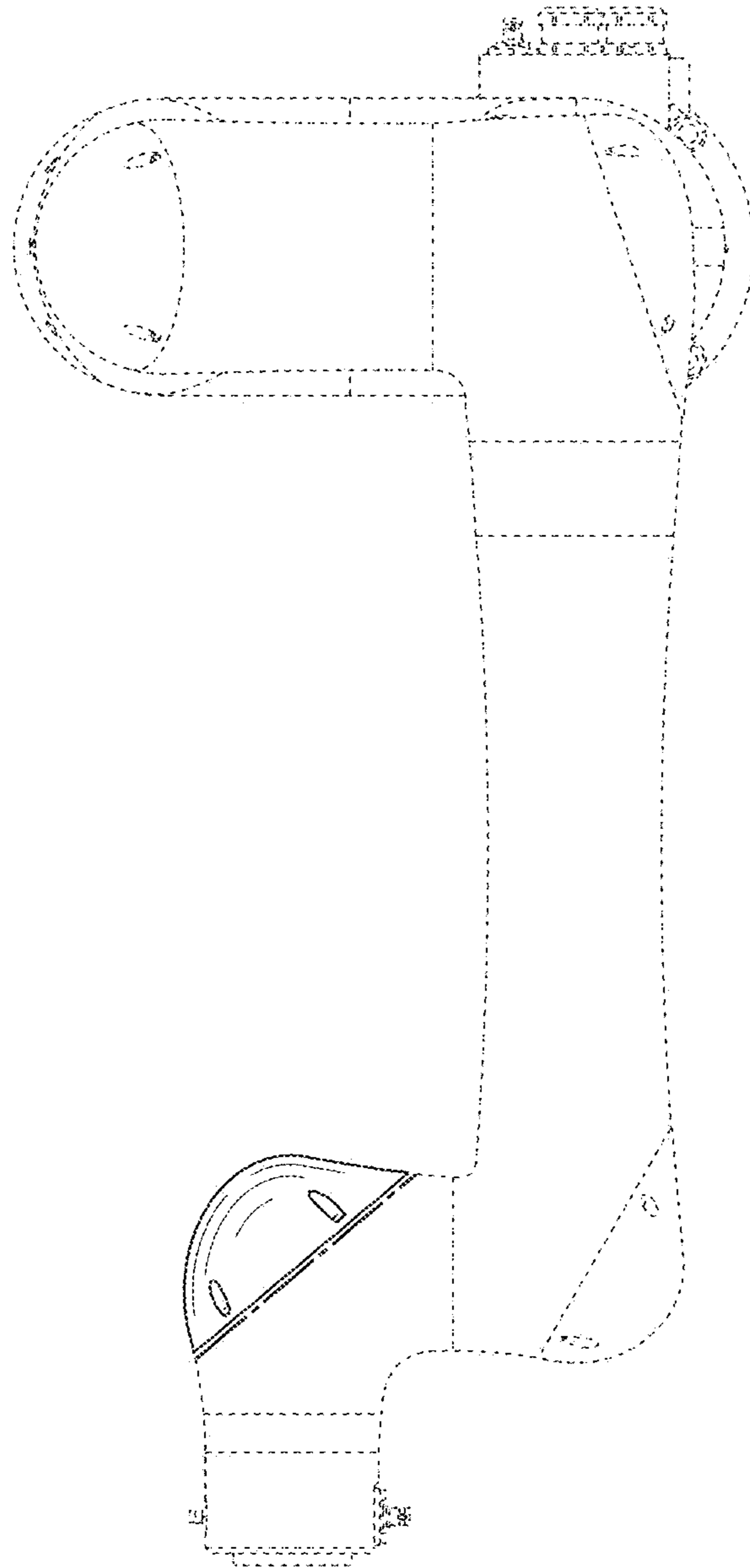


FIG. 7

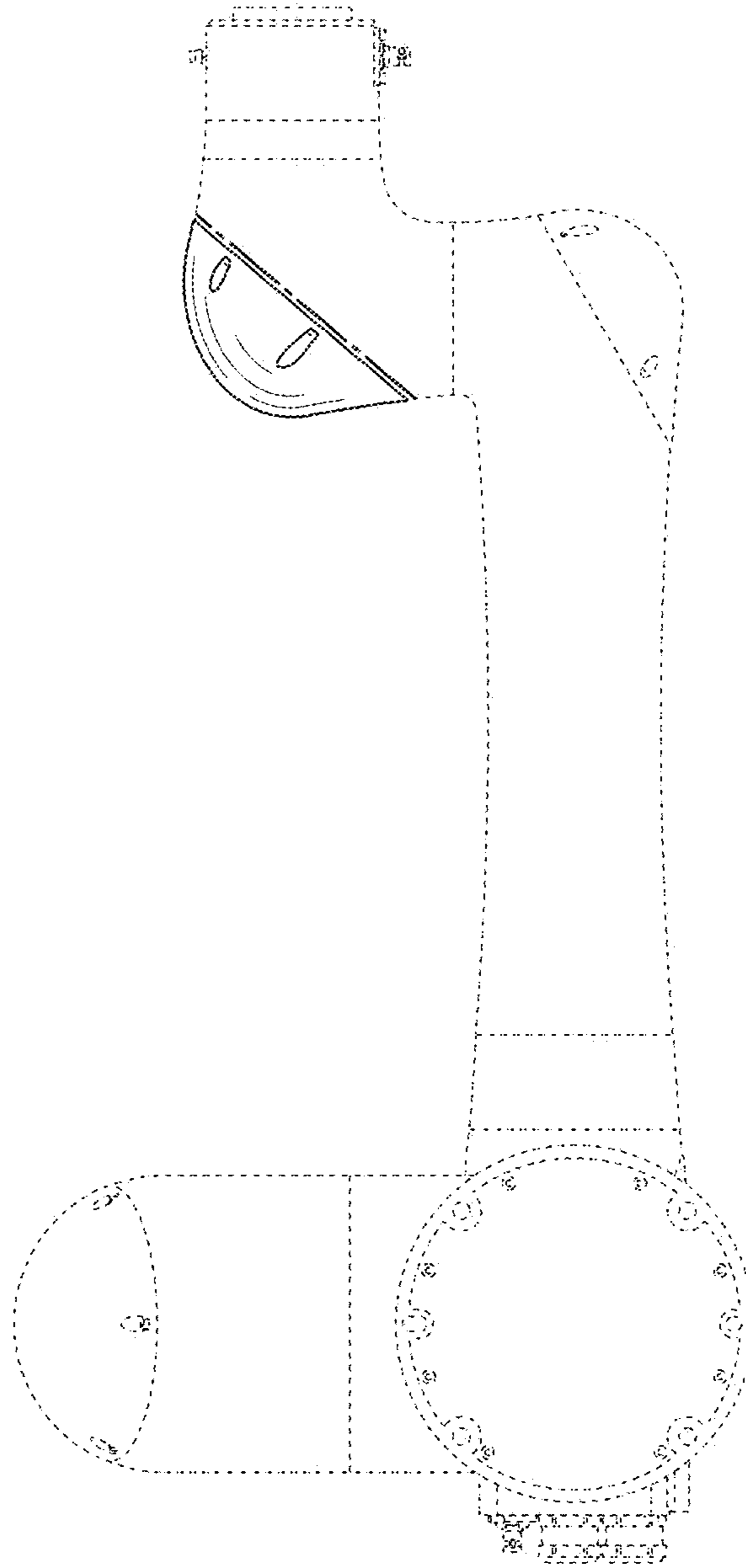


FIG. 8