



US00D947261S

(12) **United States Design Patent** (10) **Patent No.:** **US D947,261 S**
He (45) **Date of Patent:** **** Mar. 29, 2022**

(54) **DOUBLE CUP TURNER**

(71) Applicant: **Ting He**, Changsha (CN)

(72) Inventor: **Ting He**, Changsha (CN)

(**) Term: **15 Years**

(21) Appl. No.: **29/779,978**

(22) Filed: **Apr. 22, 2021**

(51) **LOC (13) Cl.** **15-09**

(52) **U.S. Cl.**

USPC **D15/122**; D15/140

(58) **Field of Classification Search**

USPC D7/693; D8/354; D15/122, 123, 125,
D15/130, 135, 138, 140, 145, 146
CPC A47J 37/041; A47J 37/049; A47J 37/0786;
A47J 37/0704; A47J 37/0745; A47J
37/04; B27B 31/00; B27B 31/04; B28B
1/00; B28B 1/02

See application file for complete search history.

(56) **References Cited**

U.S. PATENT DOCUMENTS

- 1,338,275 A * 4/1920 Bancroft B27C 7/005
142/5
- 1,933,201 A * 10/1933 Yager B23B 7/02
82/125
- 2,016,570 A * 10/1935 Adams B23B 9/08
29/38 A
- D147,300 S * 8/1947 Potter D15/130
- 2,632,223 A * 3/1953 Jordan B28B 1/02
425/265
- 3,040,409 A * 6/1962 Elliott B28B 11/18
269/57

- 3,621,740 A * 11/1971 Thomas B23Q 1/76
82/117
- D269,616 S * 7/1983 Crum D15/140
- D740,201 S 10/2015 Wang
- D786,631 S * 5/2017 Kim D7/693
- D796,917 S * 9/2017 Wong D7/693
- D889,232 S 7/2020 Qin
- D908,749 S 1/2021 Luo
- D915,476 S * 4/2021 Luo D15/122
- D936,115 S * 11/2021 Yang D15/122
- 2006/0260448 A1* 11/2006 Fiedler B24B 27/0076
82/1.11
- 2010/0186602 A1* 7/2010 Dotan A47J 37/041
99/421 H
- 2020/0214496 A1* 7/2020 Moric A47J 37/0759

* cited by examiner

Primary Examiner — Patricia A Palasik

(57) **CLAIM**

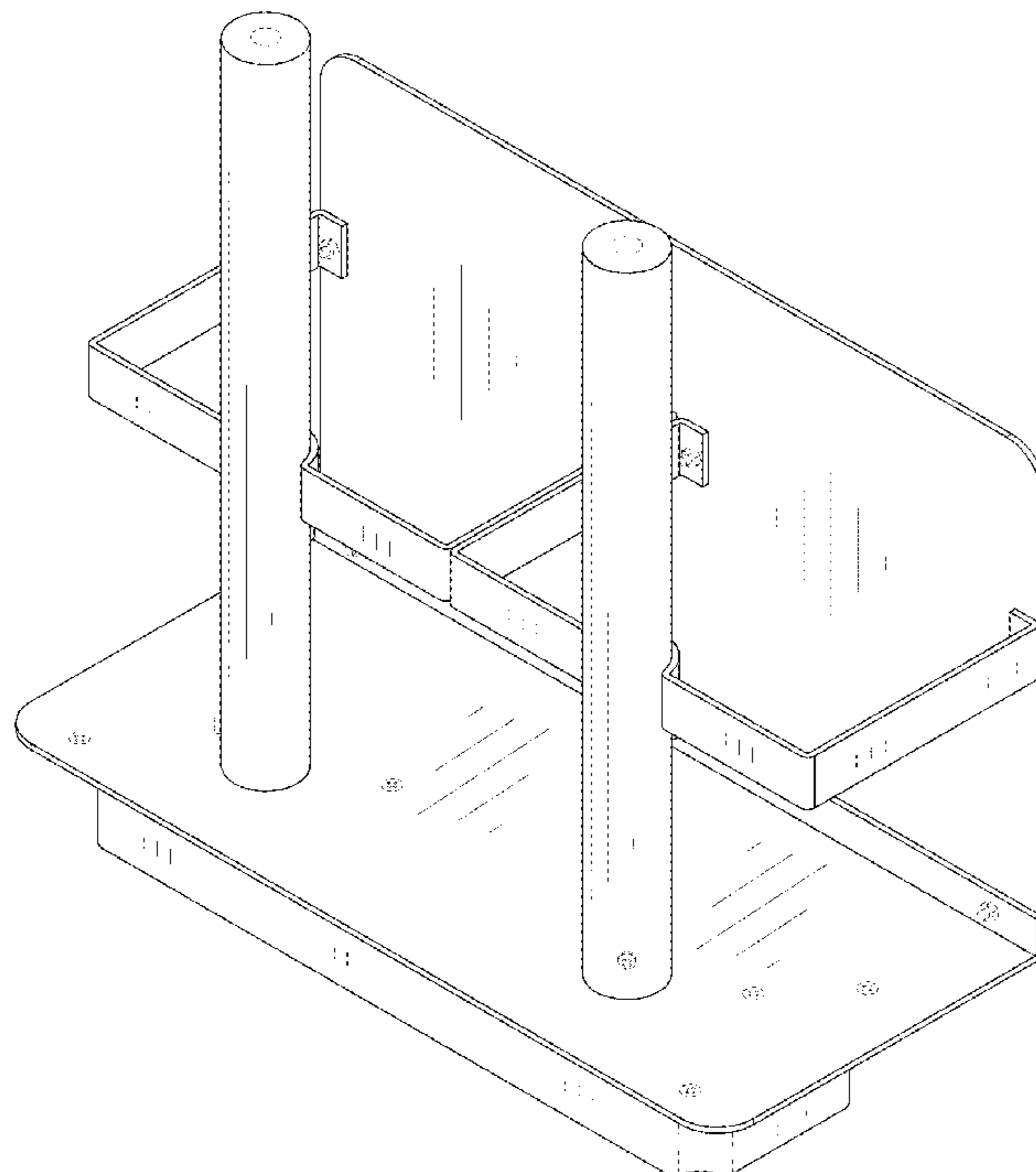
The ornamental design for a double cup turner, as shown and described.

DESCRIPTION

FIG. 1 is a first perspective view of a double cup turner showing my new design;
FIG. 2 is a second perspective view thereof;
FIG. 3 is a front view thereof;
FIG. 4 is a back view thereof;
FIG. 5 is a left side view thereof;
FIG. 6 is a right side view thereof;
FIG. 7 is a top view thereof; and,
FIG. 8 is a bottom view thereof.

The broken lines shown in the drawings depict portions of the double cup turner in which the design is embodied that form no part of the claimed design.

1 Claim, 8 Drawing Sheets



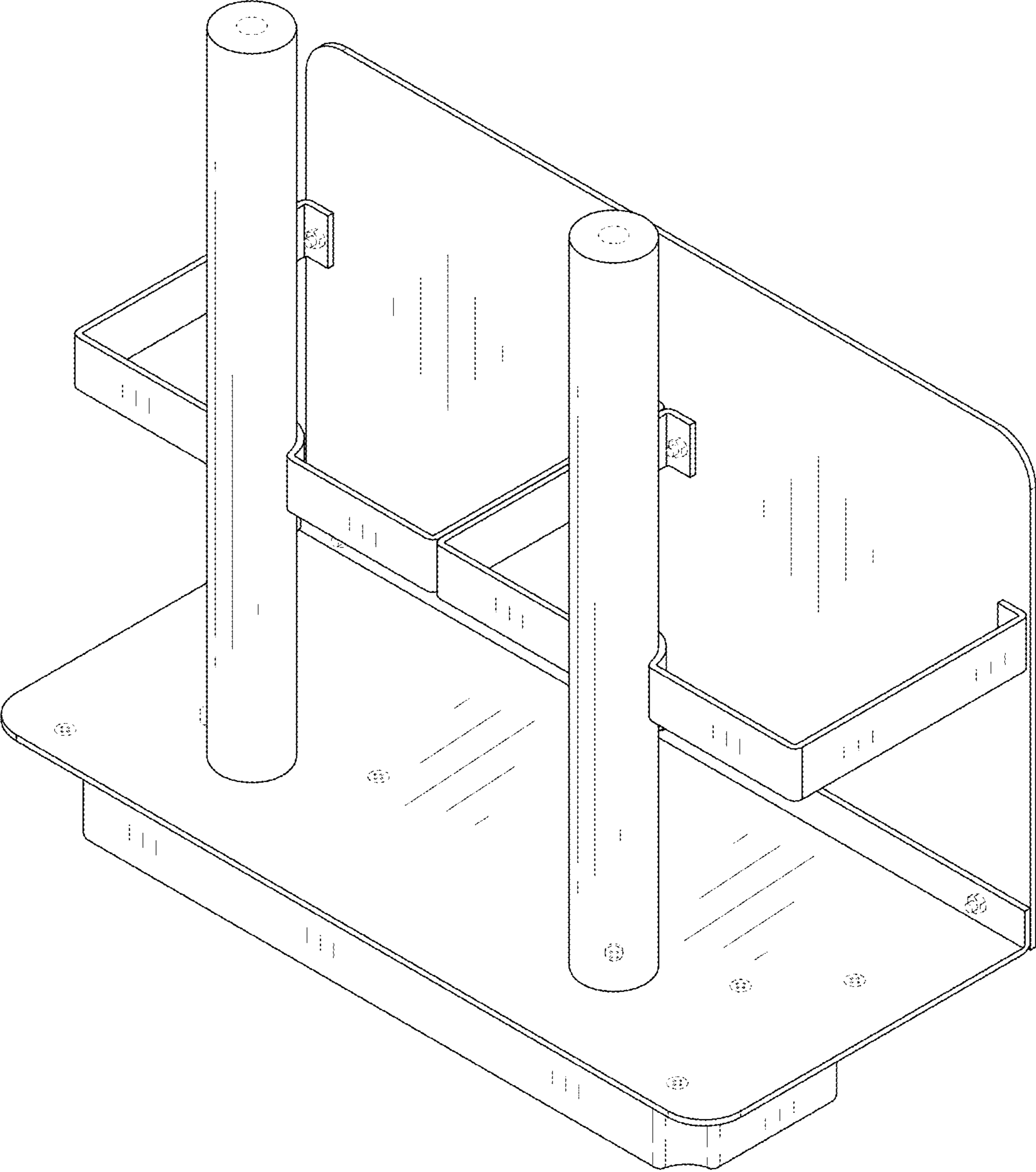


FIG. 1

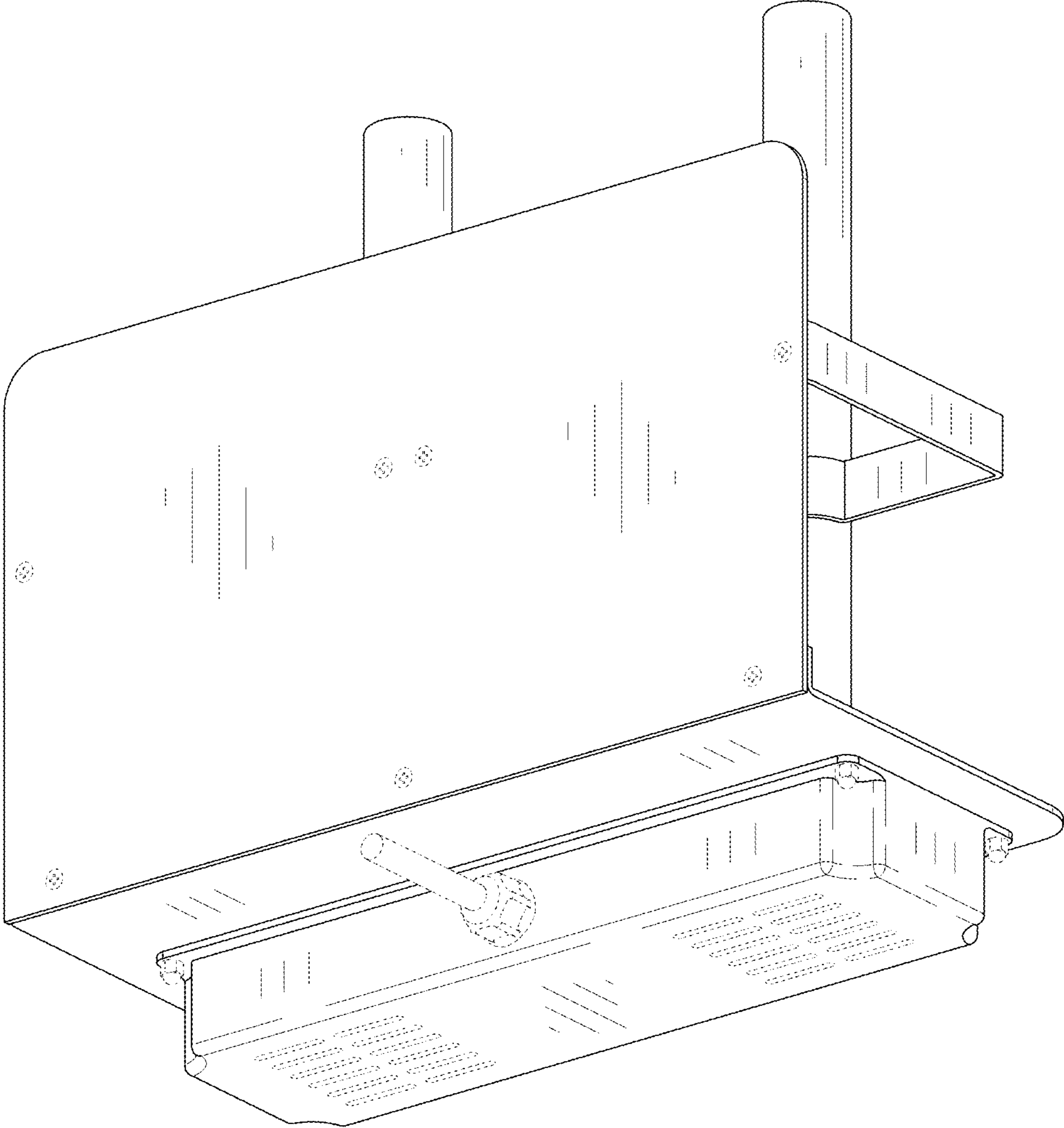


FIG. 2

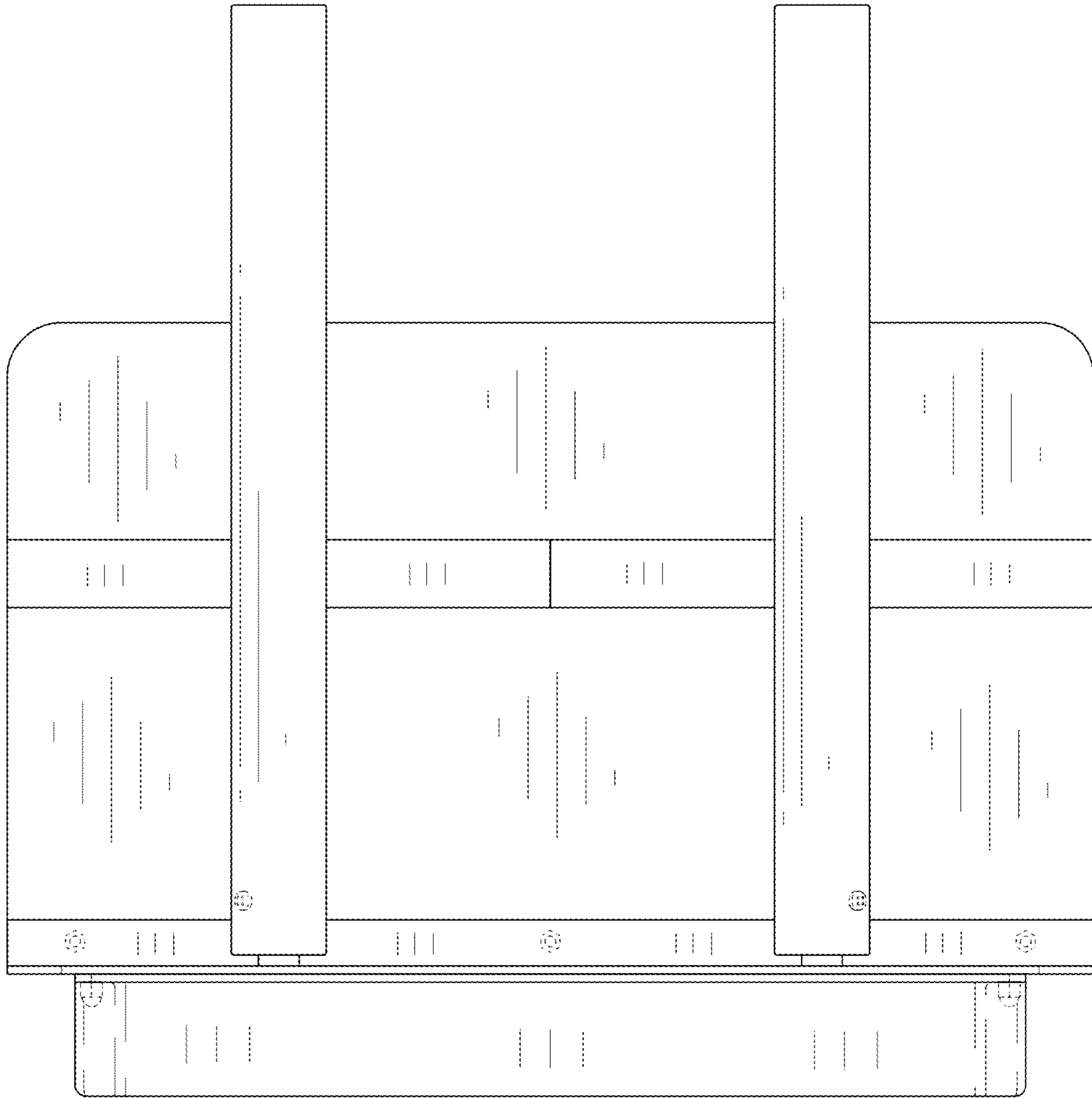


FIG. 3

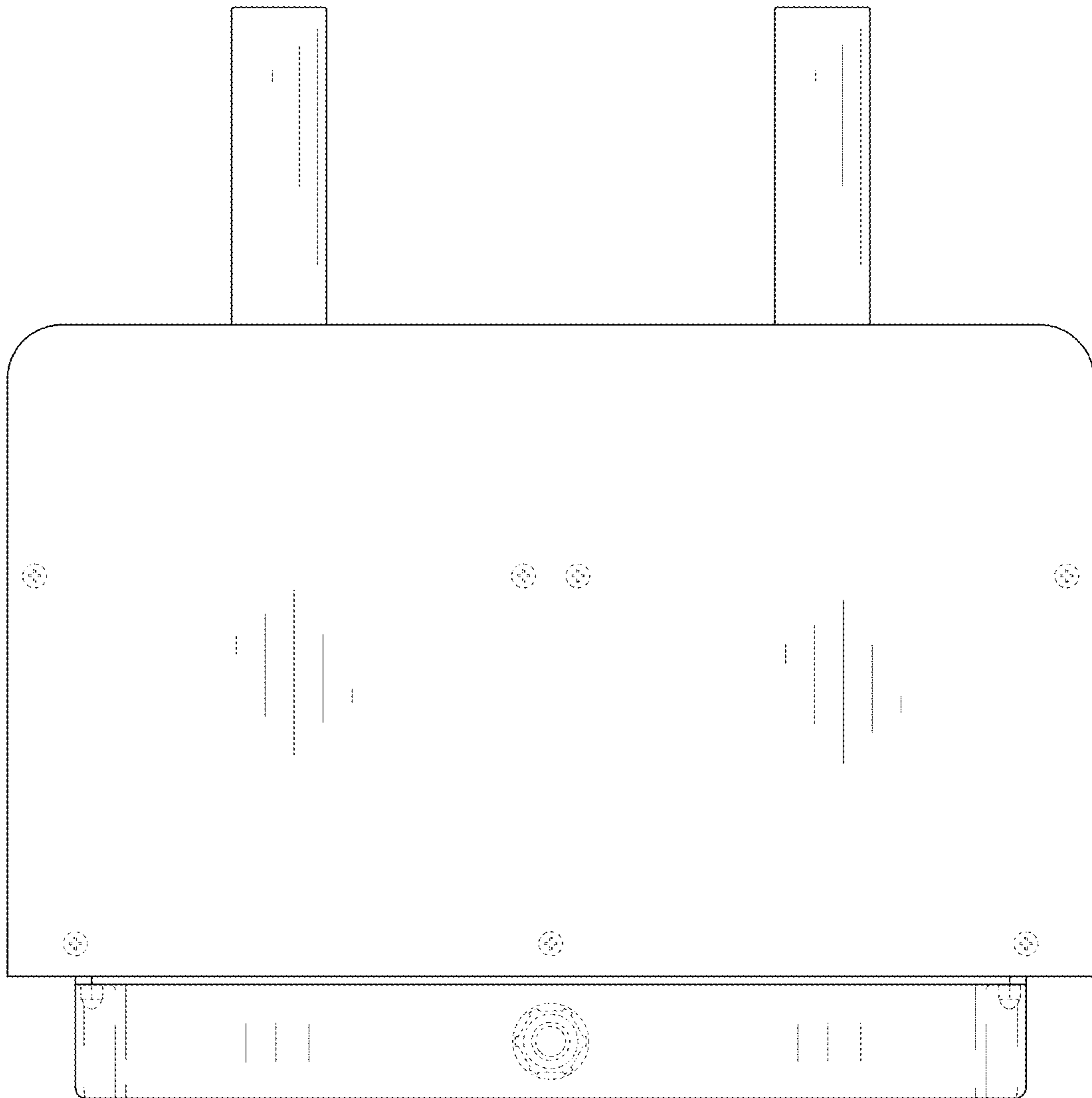


FIG. 4

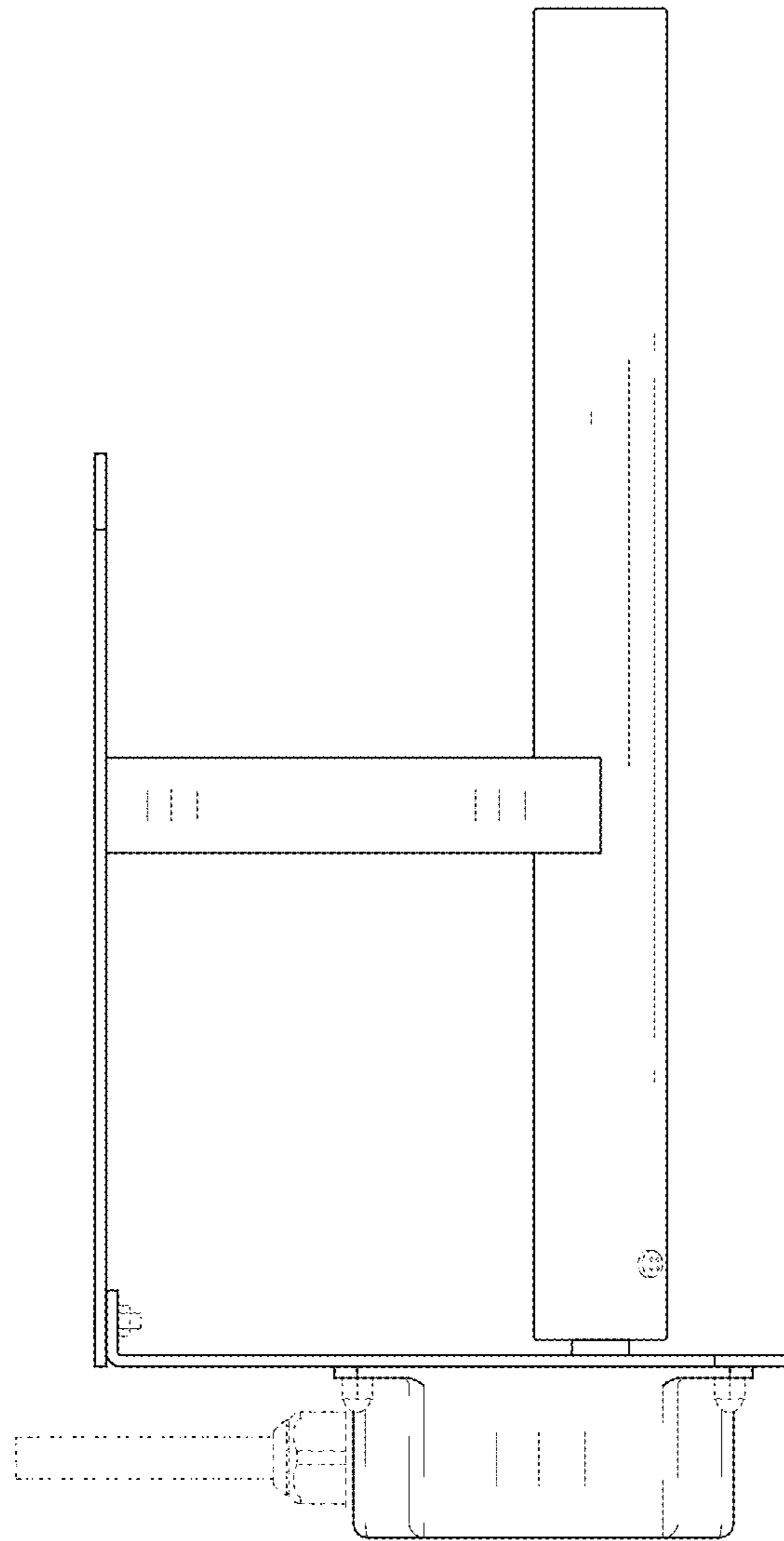


FIG. 5

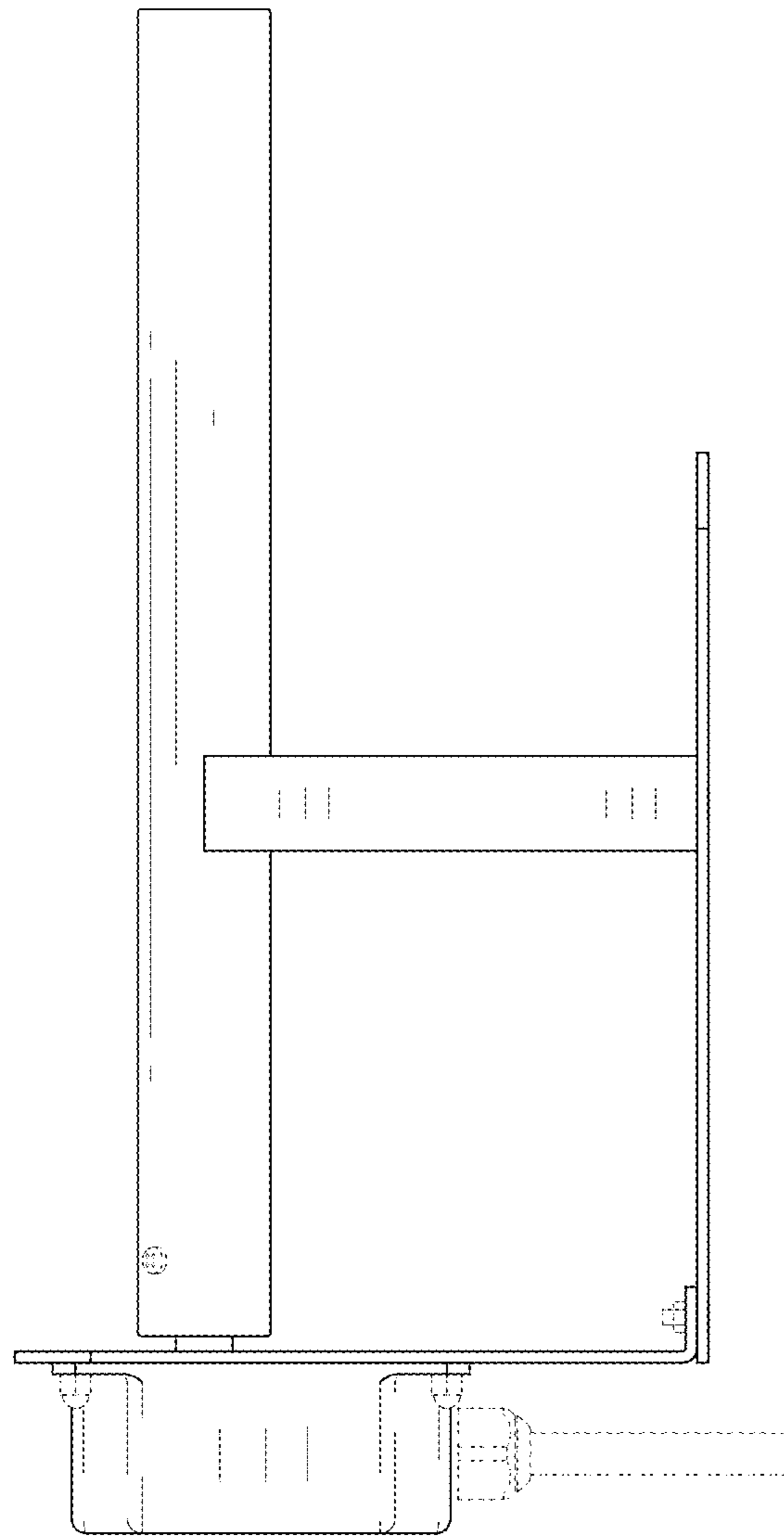


FIG. 6

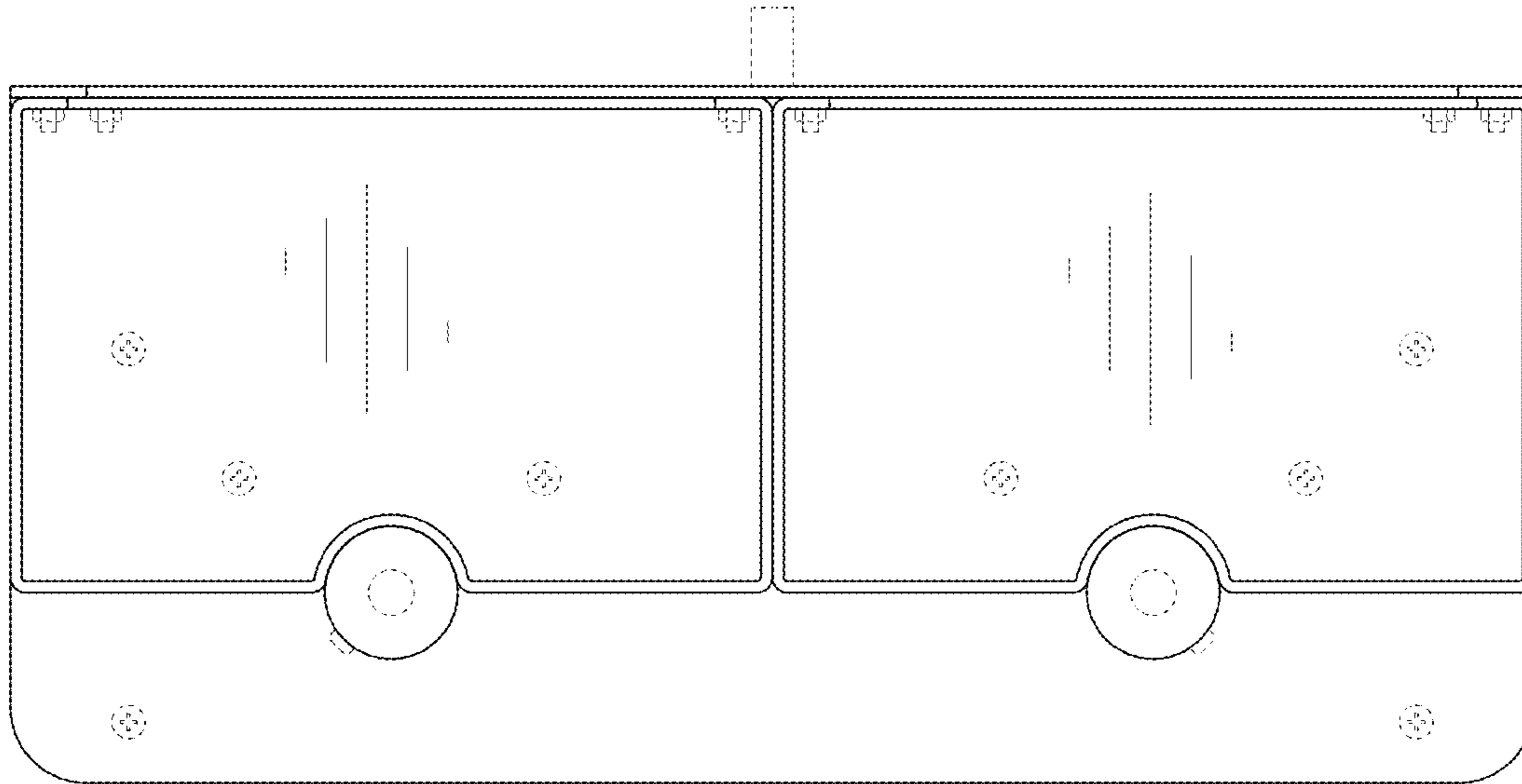


FIG. 7

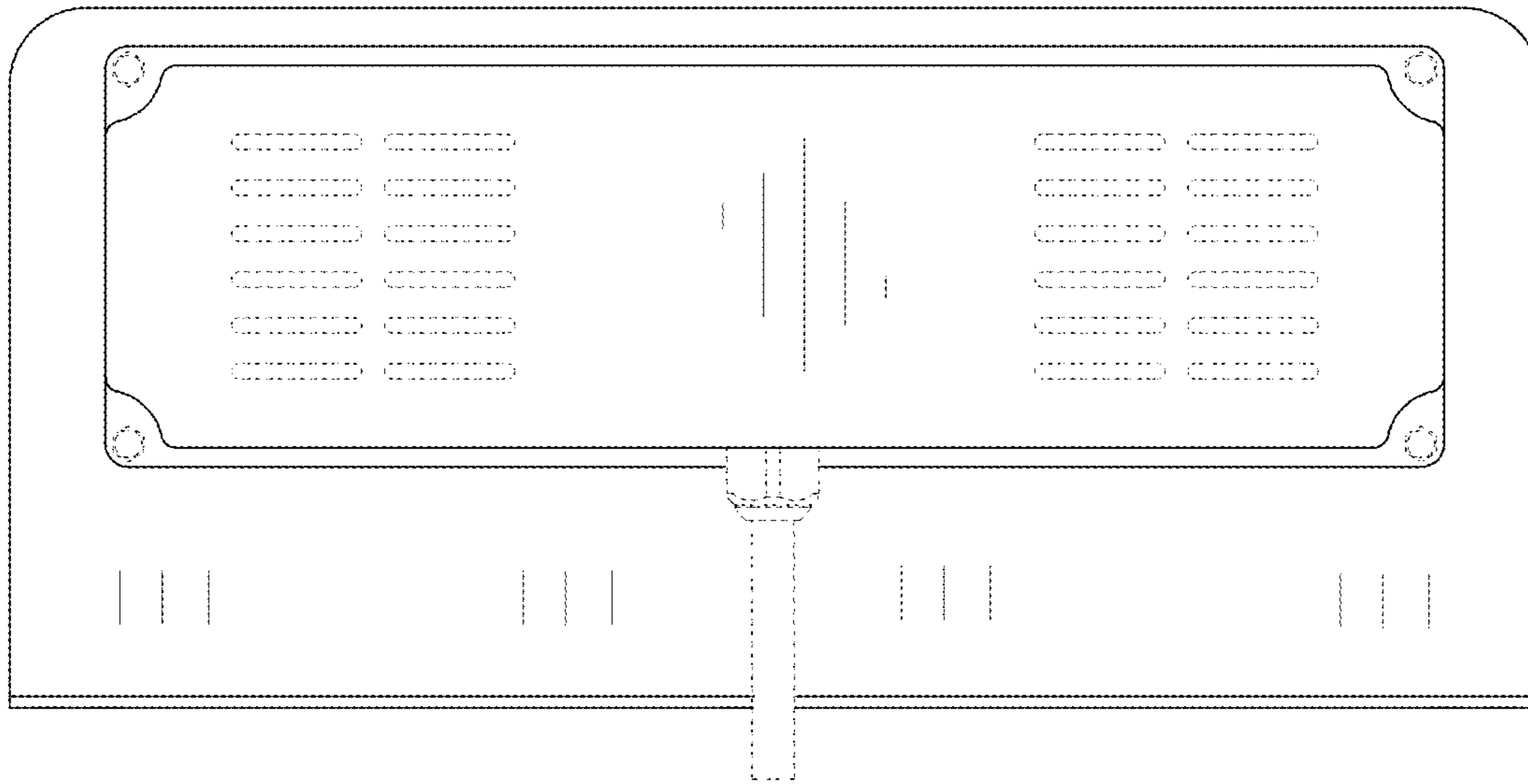


FIG. 8