



US00D947259S

(12) **United States Design Patent**  
**Cran et al.**

(10) **Patent No.:** **US D947,259 S**  
(45) **Date of Patent:** **\*\* Mar. 29, 2022**

(54) **ICE MOLD**

- (71) Applicant: **MAKE GREAT SALES LIMITED,**  
Wan Chai (HK)
- (72) Inventors: **Bruce Peter Cran,** Ho Chi Minh (VN);  
**Kin Choi Lee,** Wanchai (HK)
- (73) Assignee: **Make Great Sales Limited,** Hong  
Kong (HK)
- (\*\*) Term: **15 Years**
- (21) Appl. No.: **29/738,738**
- (22) Filed: **Jun. 19, 2020**
- (51) **LOC (13) Cl.** ..... **15-07**
- (52) **U.S. Cl.**  
USPC ..... **D15/90**
- (58) **Field of Classification Search**  
USPC ..... D7/300, 368, 387, 603, 605, 669, 672;  
D15/79-91; D9/100

(Continued)

(56) **References Cited**

U.S. PATENT DOCUMENTS

- 1,794,238 A \* 2/1931 McKibben ..... A23G 9/506  
426/139
- 3,189,947 A \* 6/1965 Pettkoske ..... B29C 43/18  
425/128

(Continued)

*Primary Examiner* — Calvin E Vansant  
*Assistant Examiner* — Mark T. Philipps  
(74) *Attorney, Agent, or Firm* — Onello & Mello, LLP

(57) **CLAIM**

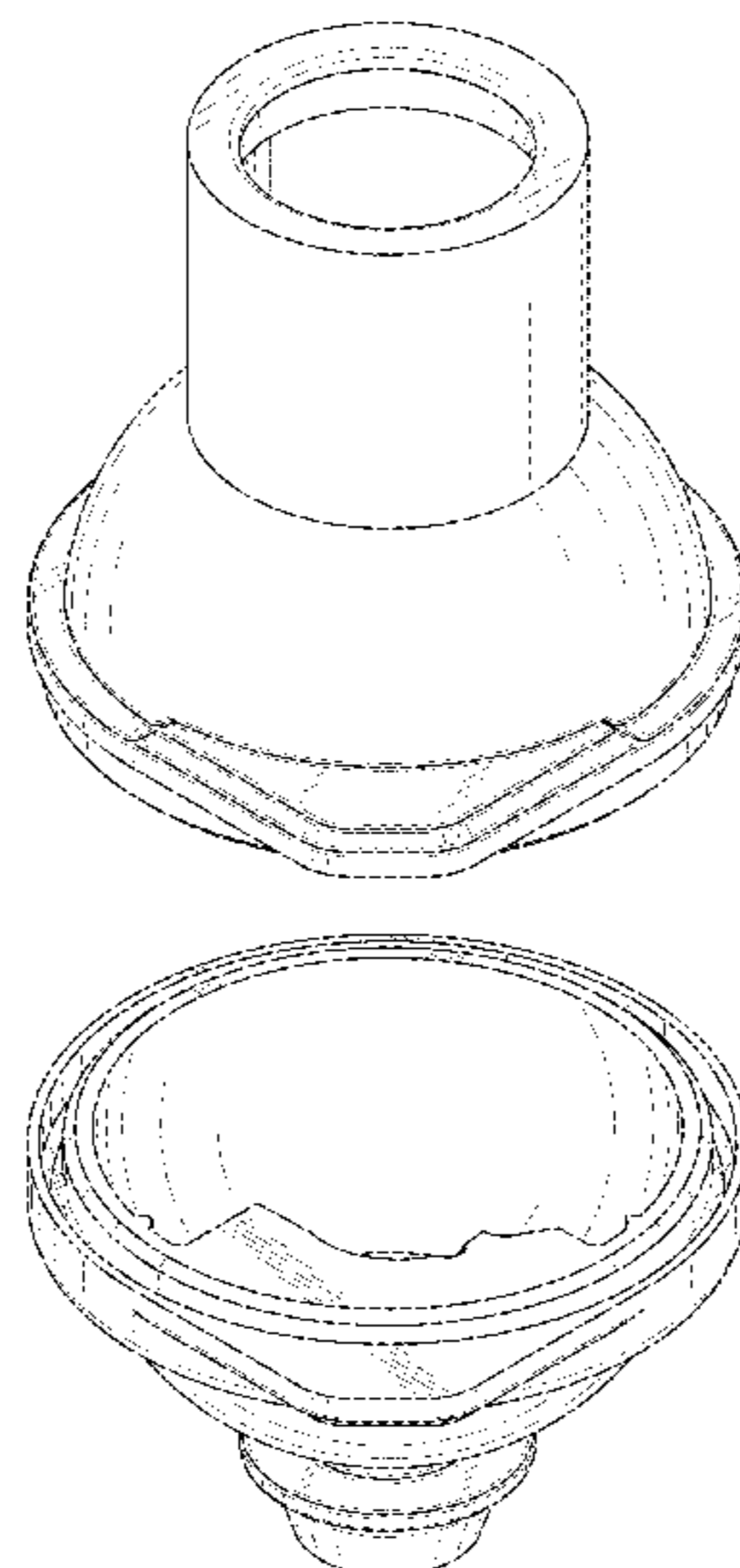
The ornamental design for an ice mold, as shown and described.

**DESCRIPTION**

FIG. 1 is an isometric view of an ice mold, in accordance with the design;

FIG. 2 is front view of the ice mold of FIG. 1;  
 FIG. 3 is a rear view of the ice mold of FIG. 1;  
 FIG. 4 is a left-side view of the ice mold of FIG. 1;  
 FIG. 5 is a right-side view of the ice mold of FIG. 1;  
 FIG. 6 is a top view of the ice mold of FIG. 1;  
 FIG. 7 is a bottom view of the ice mold of FIG. 1;  
 FIG. 8 is an exploded, isometric view of the ice mold of FIG. 1;  
 FIG. 9 is an isometric view of a top portion of the ice mold of FIG. 1;  
 FIG. 10 is front view of the top portion of the ice mold of FIG. 1;  
 FIG. 11 is a rear view of the top portion of the ice mold of FIG. 1;  
 FIG. 12 is a left-side view of the top portion of the ice mold of FIG. 1;  
 FIG. 13 is a right-side view of the top portion of the ice mold of FIG. 1;  
 FIG. 14 is a top view of the top portion of the ice mold of FIG. 1;  
 FIG. 15 is a bottom view of the top portion of the ice mold of FIG. 1;  
 FIG. 16 is an isometric view of a bottom portion of the ice mold of FIG. 1;  
 FIG. 17 is front view of the bottom portion of the ice mold of FIG. 1;  
 FIG. 18 is a rear view of the bottom portion of the ice mold of FIG. 1;  
 FIG. 19 is a left-side view of the bottom portion of the ice mold of FIG. 1;  
 FIG. 20 is a right-side view of the bottom portion of the ice mold of FIG. 1;  
 FIG. 21 is a top view of the bottom portion of the ice mold of FIG. 1; and,  
 FIG. 22 is a bottom view of the bottom portion of the ice mold of FIG. 1.  
 In the drawings, broken line areas illustrate environmental subject matter or boundaries that form no part of the claimed design.

**1 Claim, 18 Drawing Sheets**



(58) **Field of Classification Search**

CPC ..... F25C 2400/10; F25C 5/005; F25C 1/10;  
F25C 2305/022; F25C 2600/04; F25C  
2700/14; F25C 5/06; F25C 5/182; F25C  
1/08; F25C 1/24; F25C 2400/14; F25C  
2500/02; A47J 43/00; A47J 43/20; A47J  
9/00; A47J 9/007

See application file for complete search history.

(56) **References Cited**

U.S. PATENT DOCUMENTS

D365,516 S \* 12/1995 Williamson ..... D9/651  
D409,944 S \* 5/1999 Reisigl ..... D11/90  
D460,714 S \* 7/2002 Steinberg ..... D11/91  
D494,086 S \* 8/2004 Lax ..... D11/90  
D494,497 S \* 8/2004 Lax ..... D11/90  
D511,987 S \* 11/2005 Swarovski ..... D11/90  
D577,395 S \* 9/2008 Pietramala ..... D21/622  
D595,607 S \* 7/2009 Schneider ..... D11/90  
D631,304 S \* 1/2011 Kushner ..... D7/672  
D731,264 S \* 6/2015 Frank ..... D7/672  
D908,147 S \* 1/2021 Steere ..... D15/90  
D916,936 S \* 4/2021 Dittrich ..... D15/90  
2004/0036004 A1 \* 2/2004 De Groote ..... A23G 1/226  
249/155  
2019/0014811 A1 \* 1/2019 Vanneste ..... A23L 19/135

\* cited by examiner

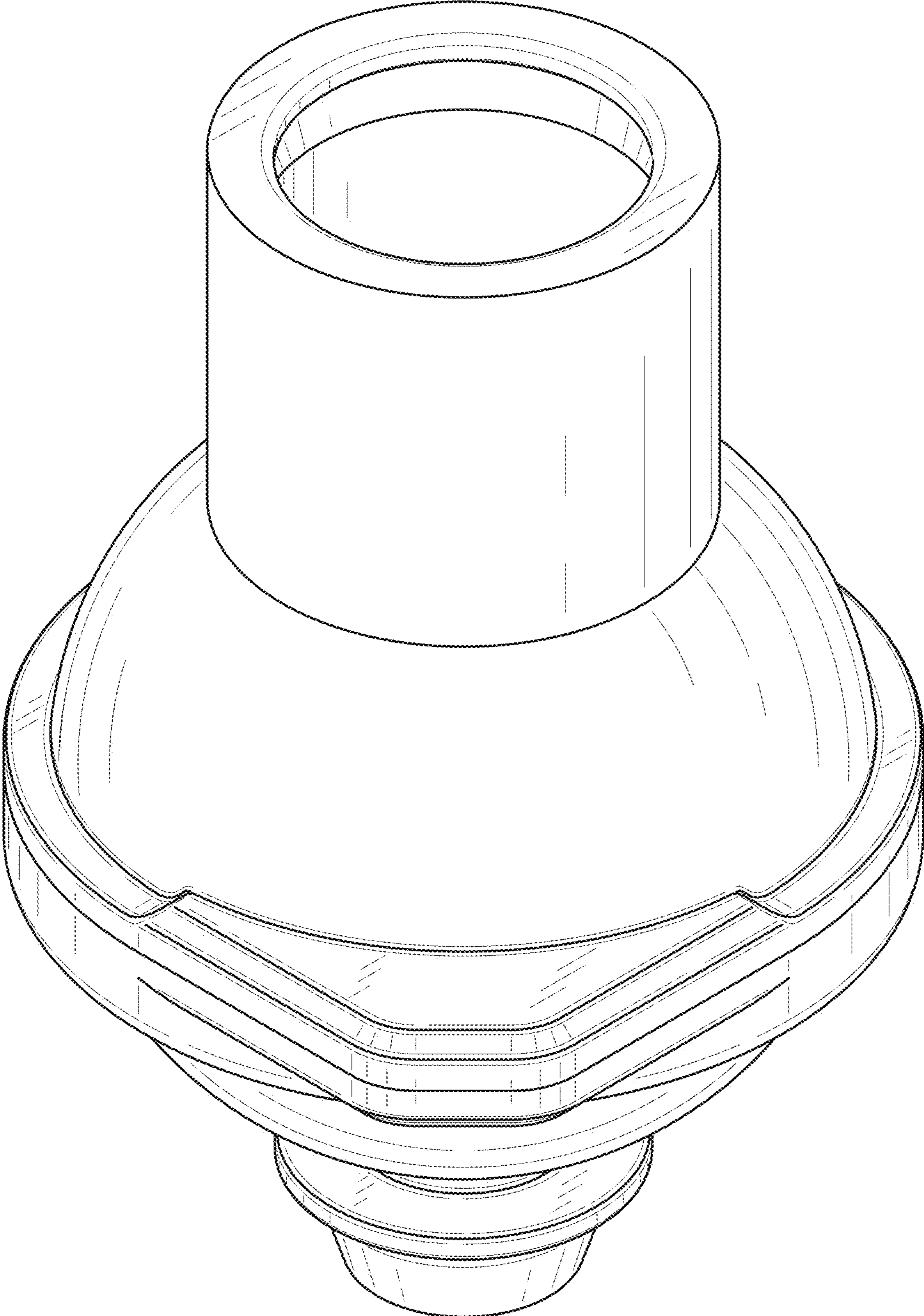


FIG. 1

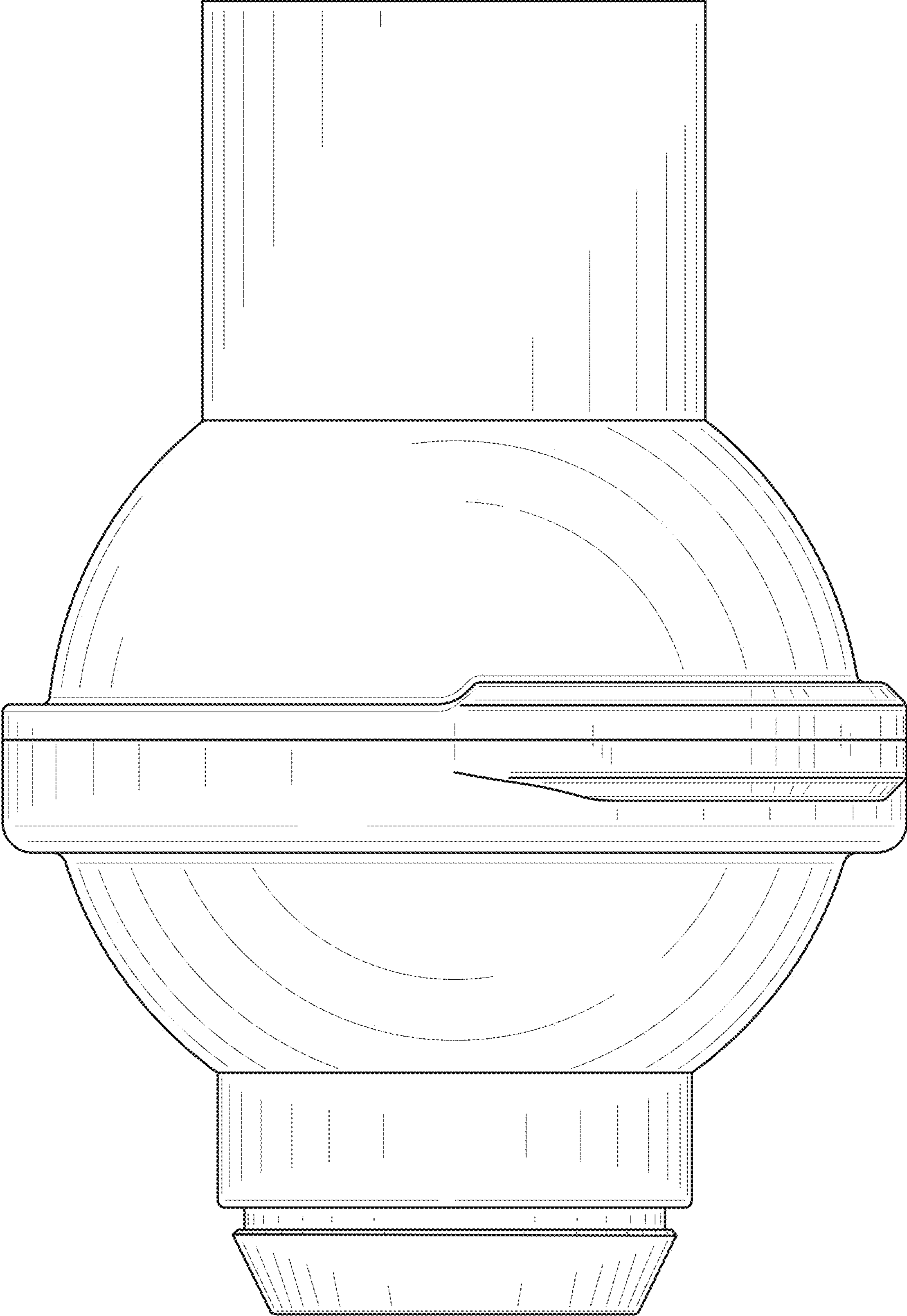


FIG. 2



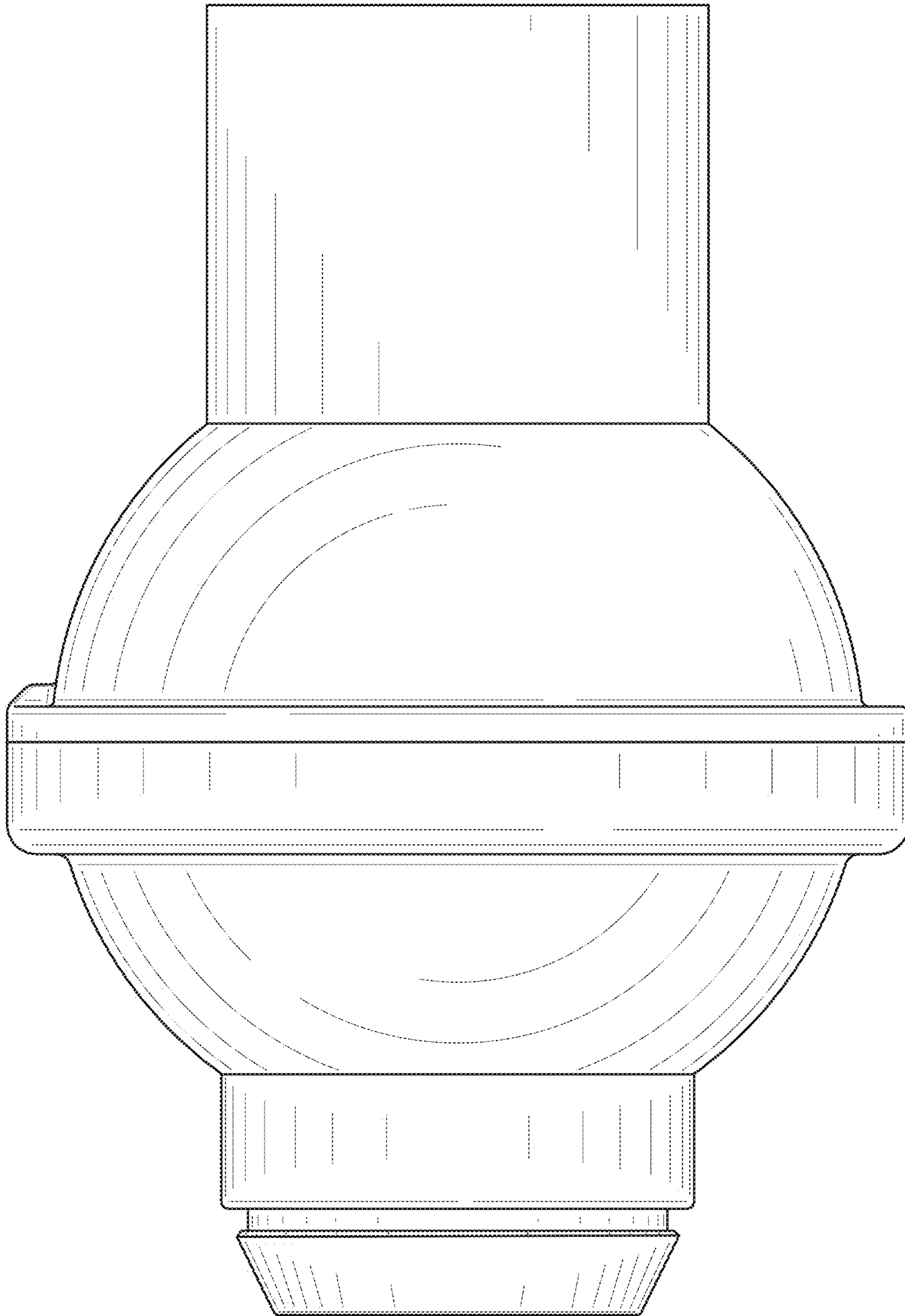


FIG. 3

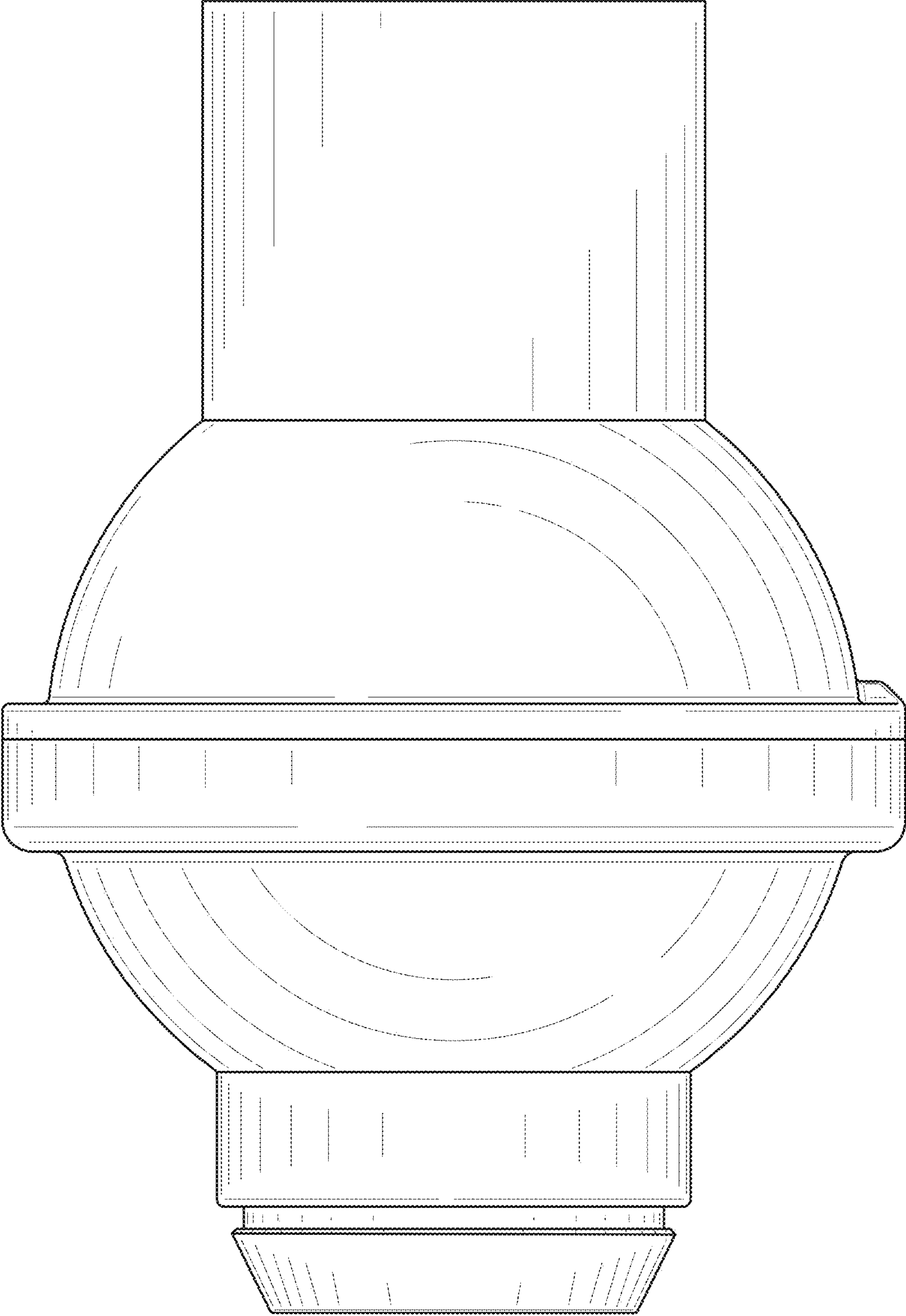


FIG. 4

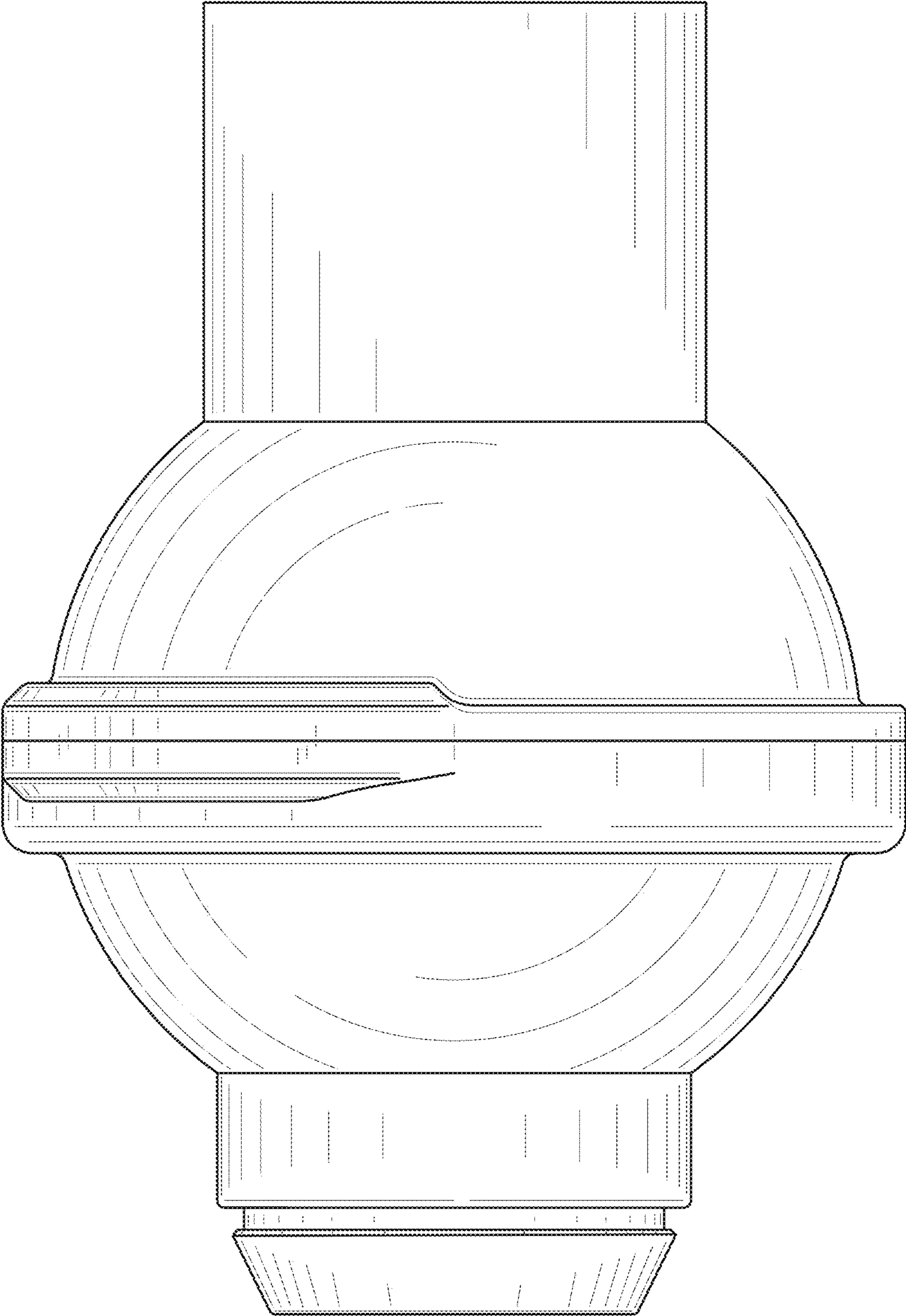


FIG. 5

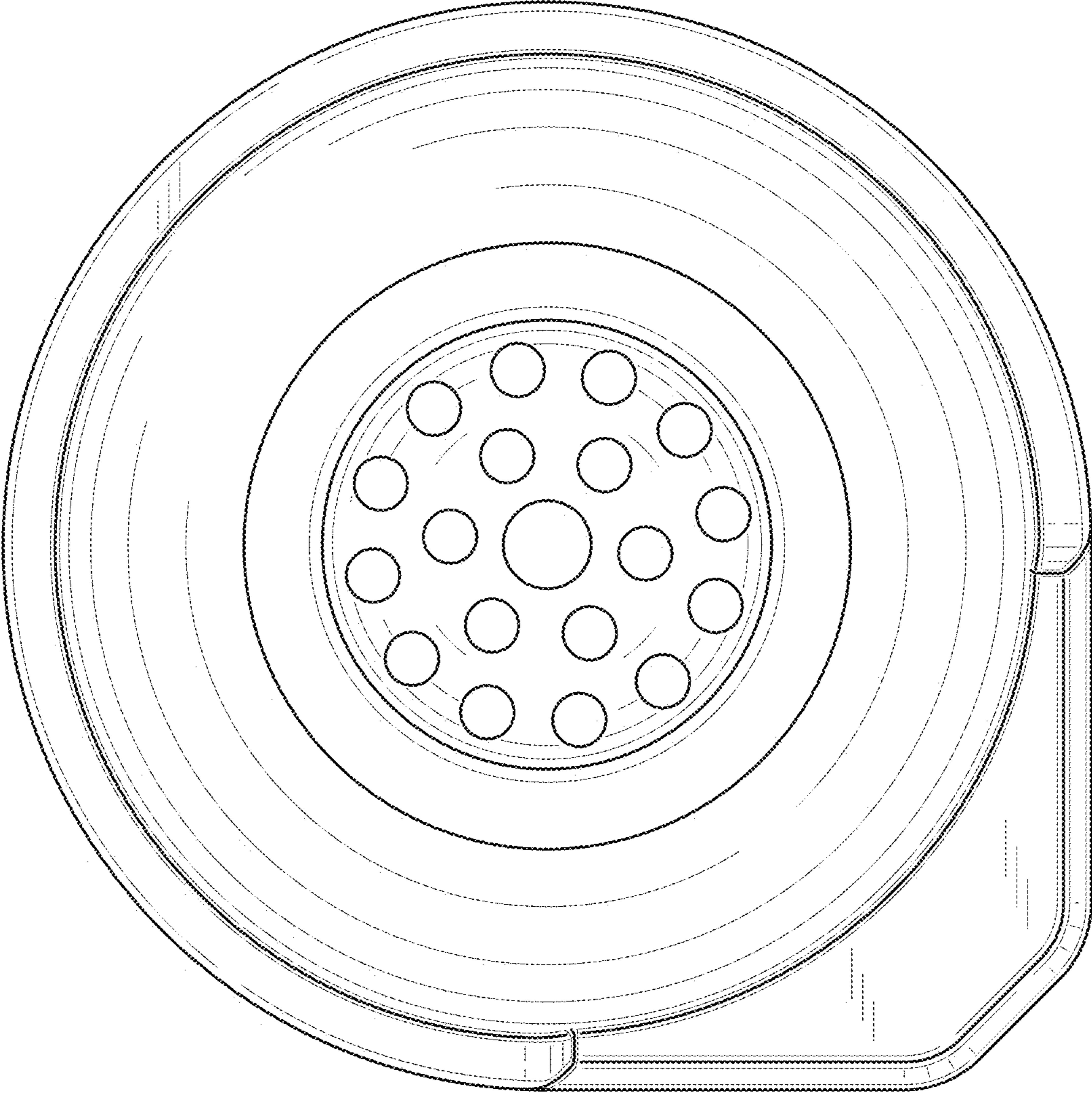


FIG. 6



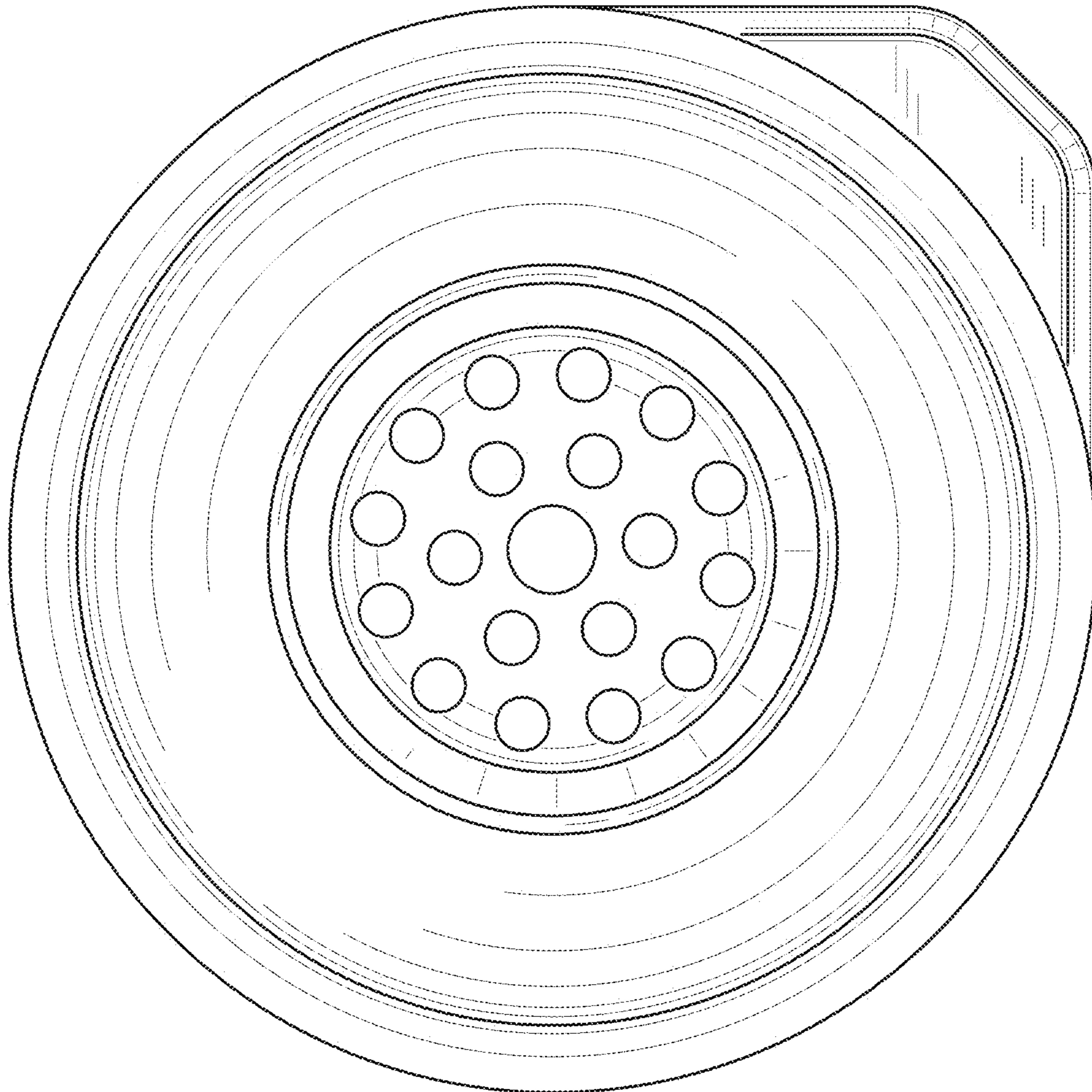


FIG. 7

FIG. 8

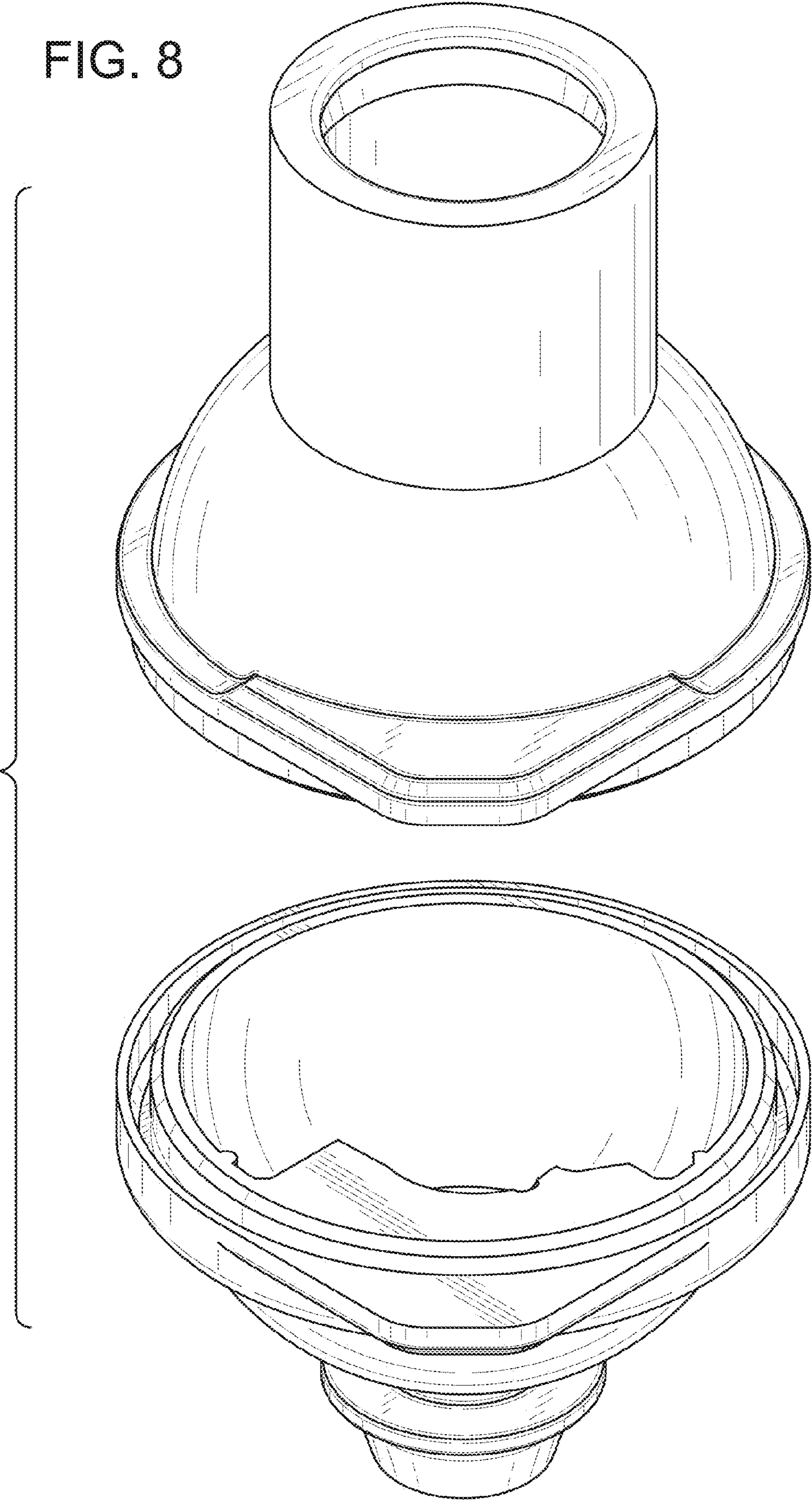
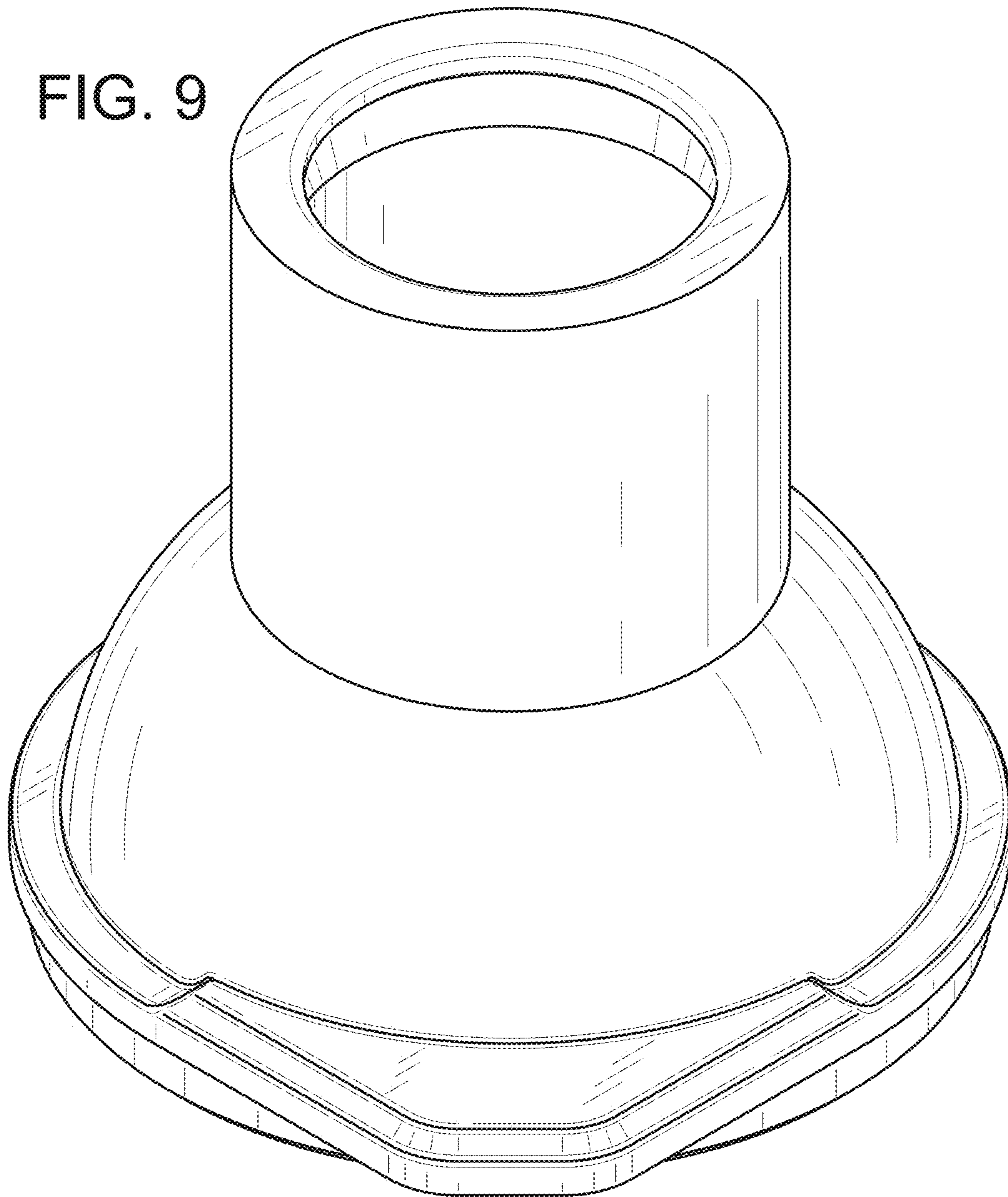


FIG. 9



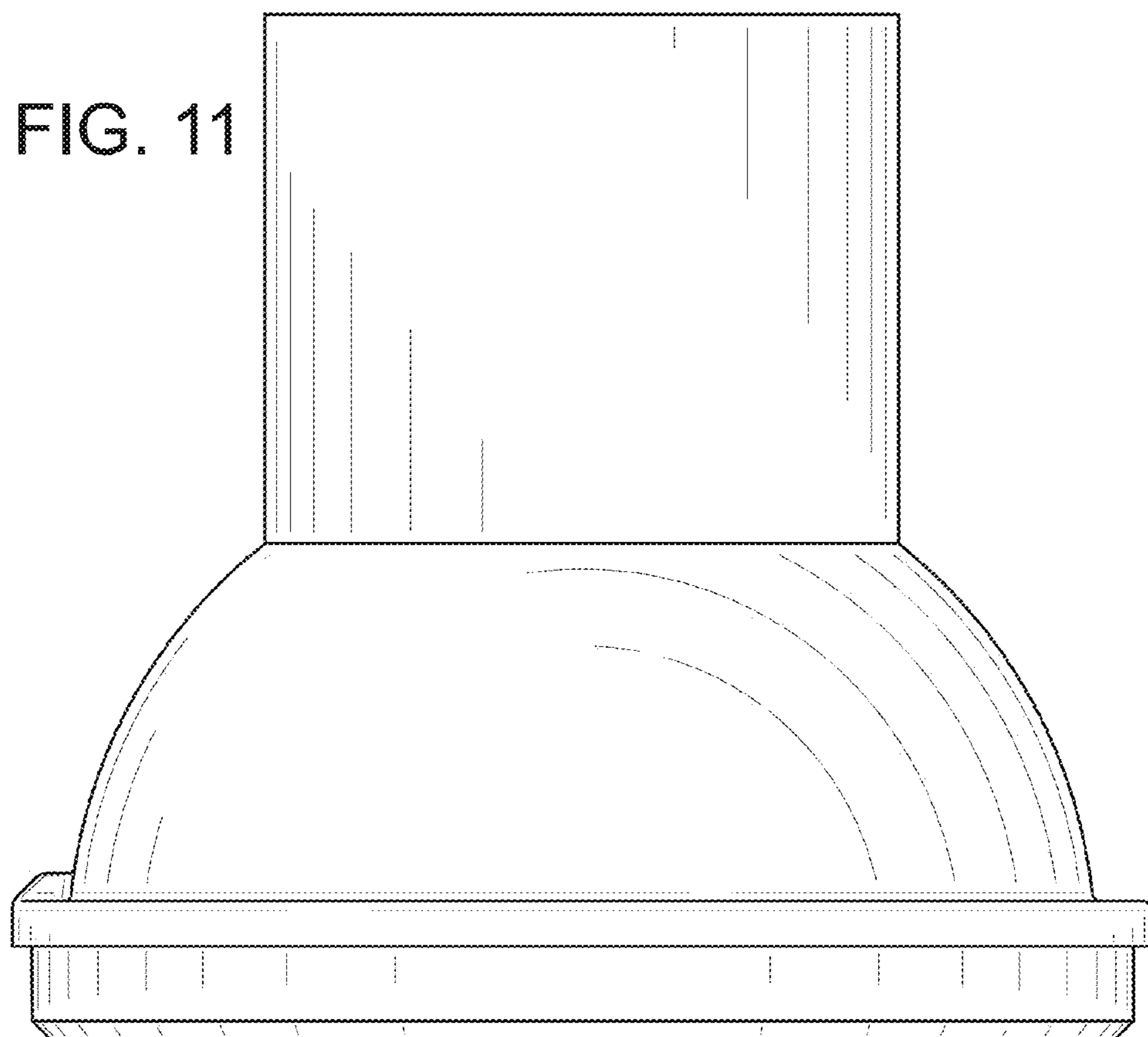
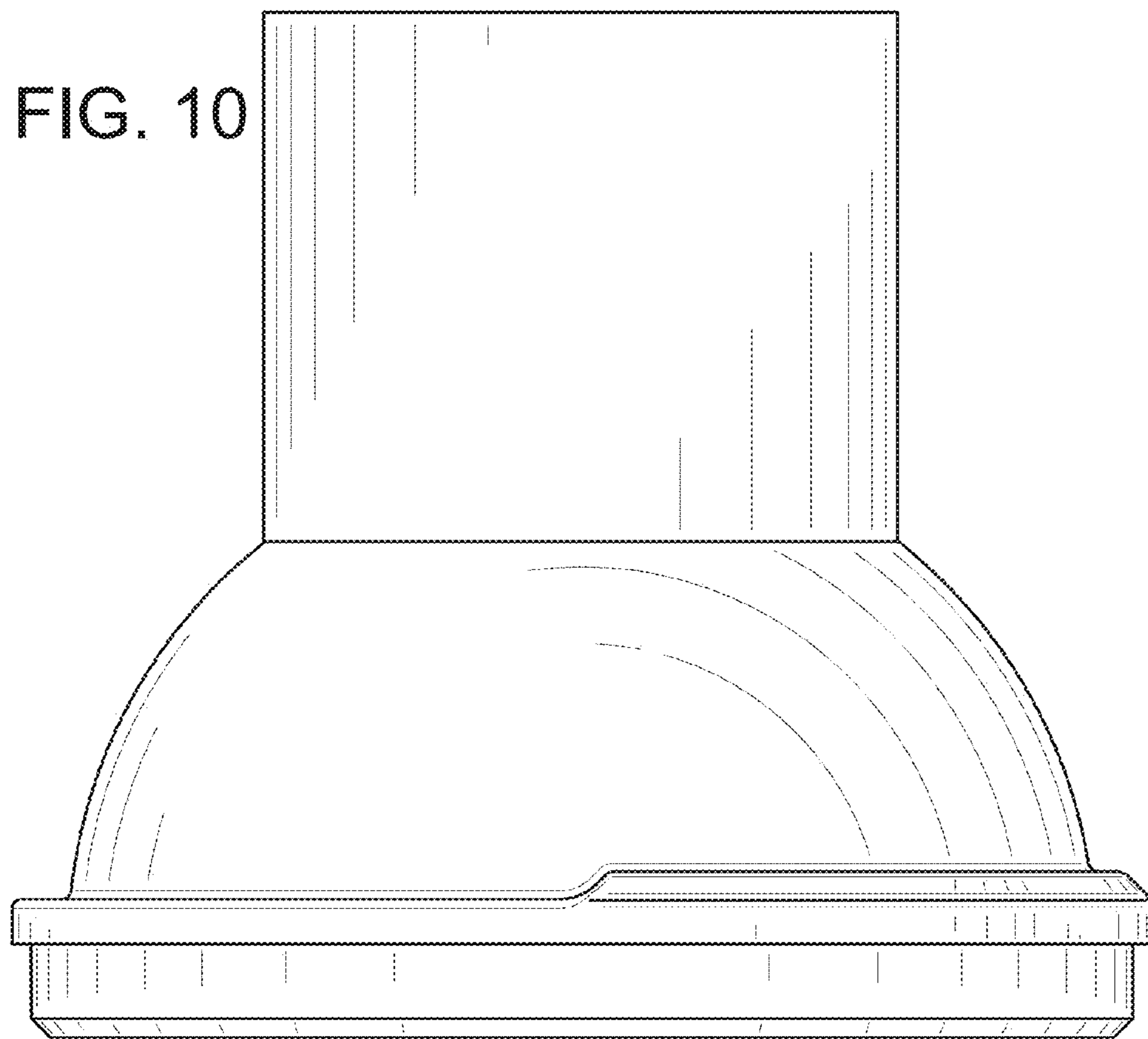




FIG. 12

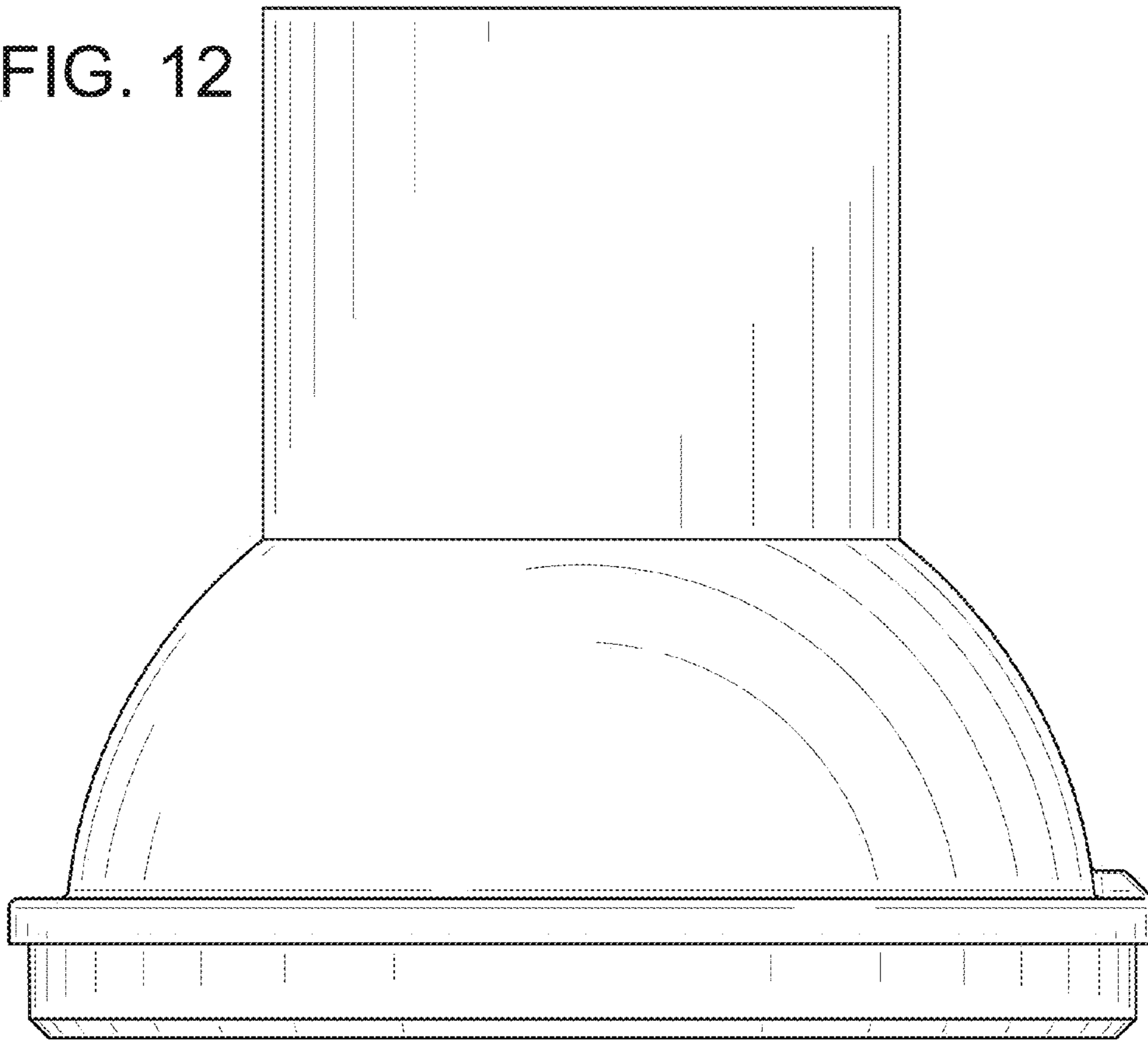
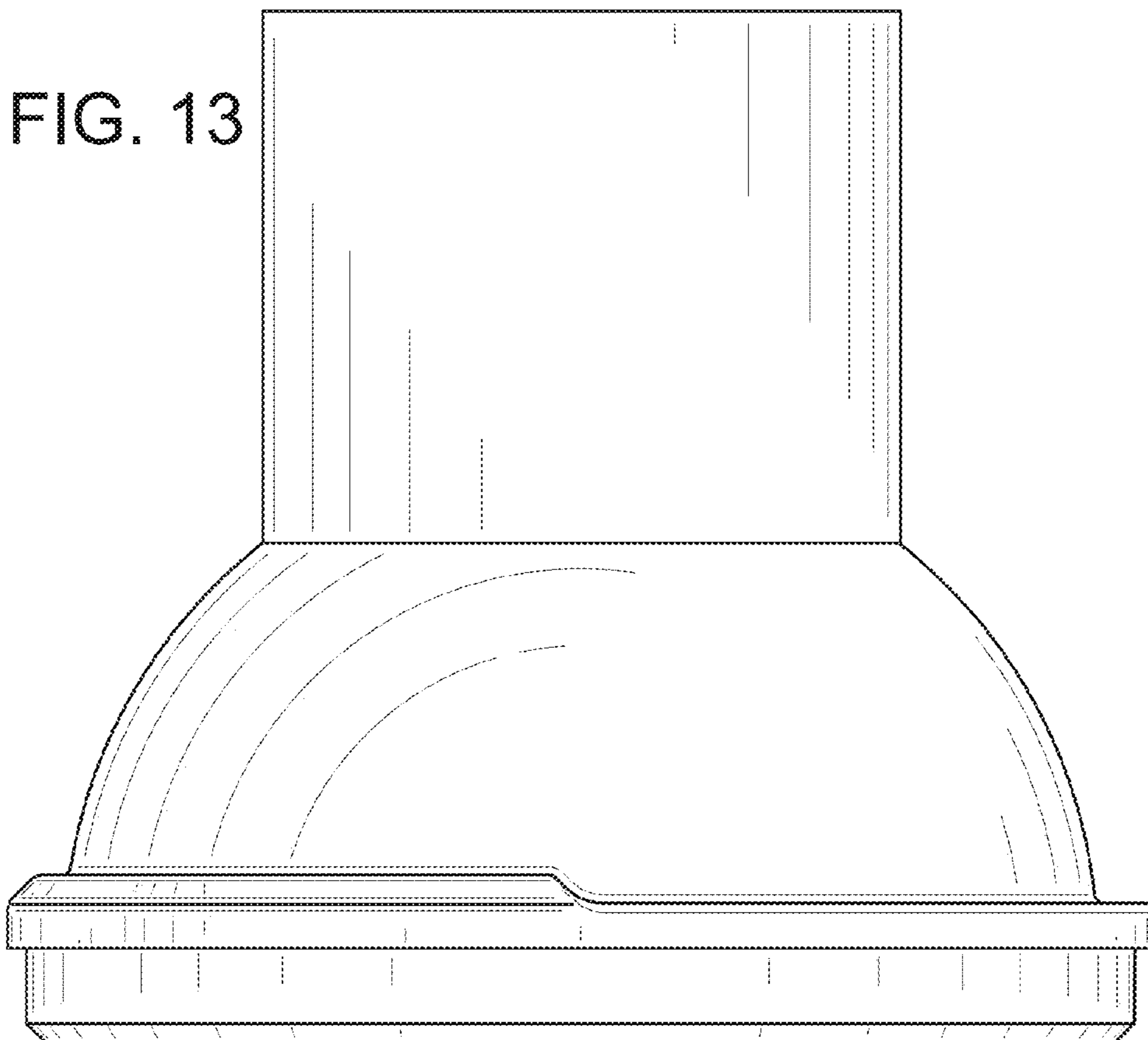


FIG. 13



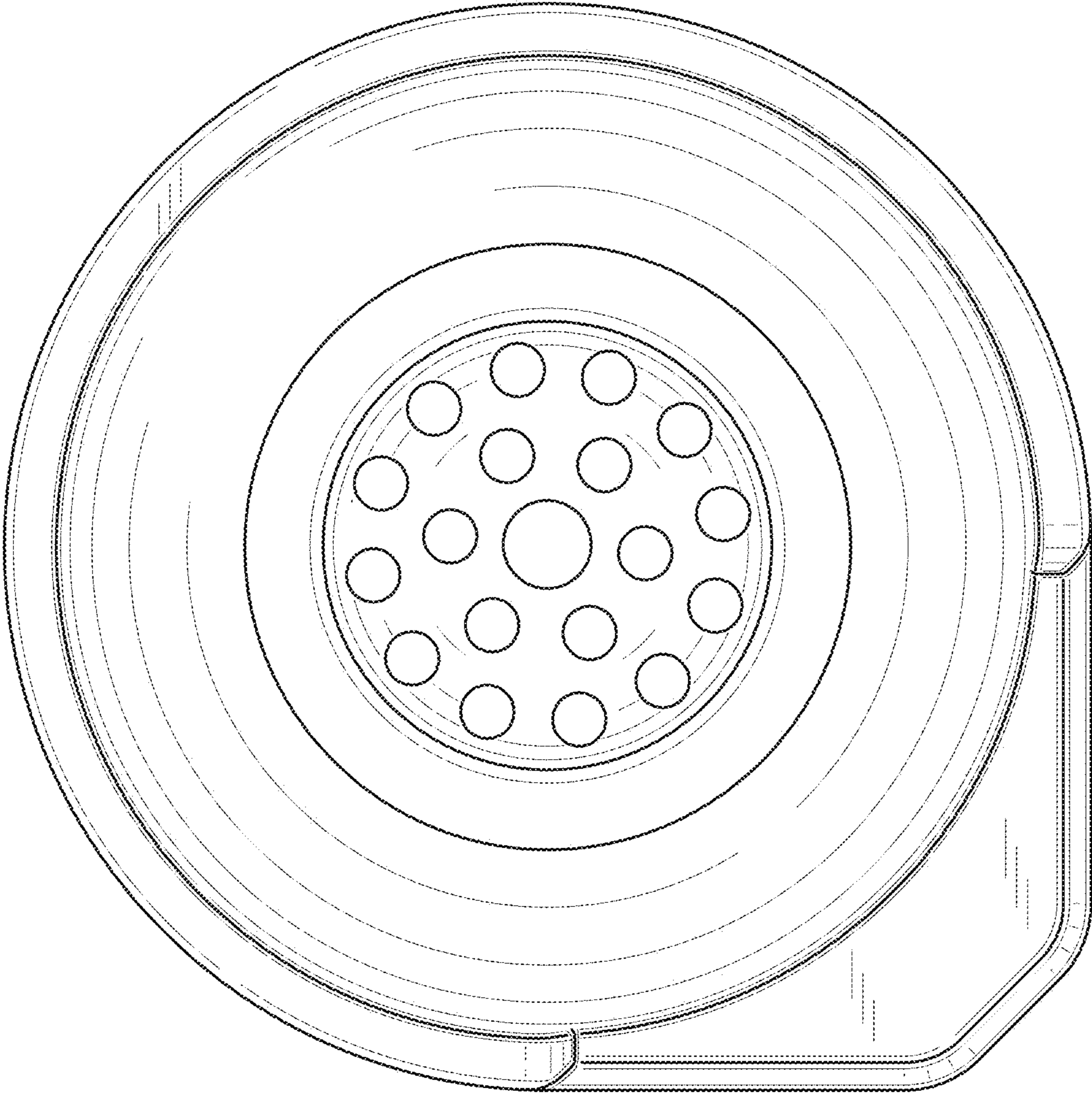


FIG. 14

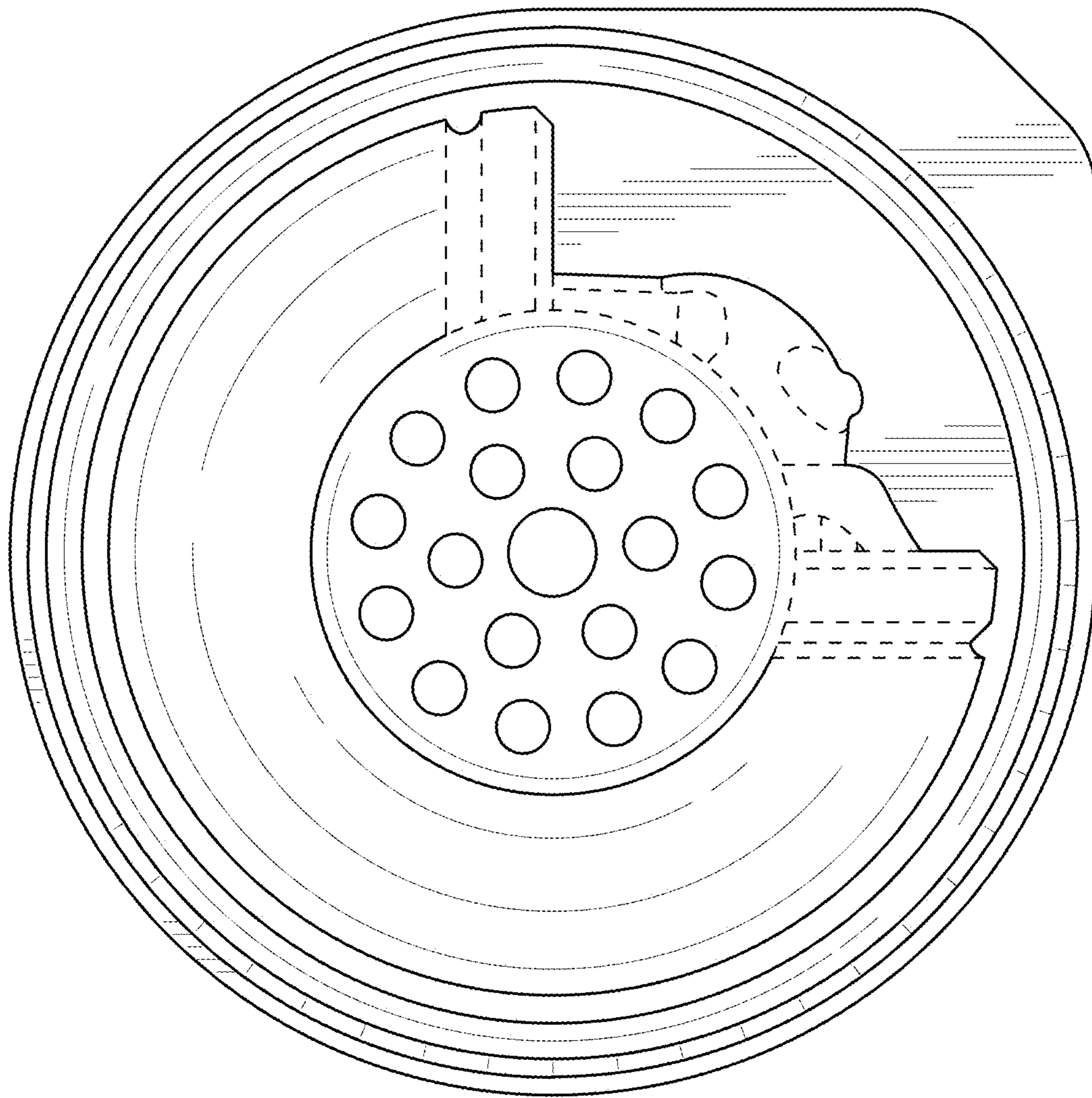


FIG. 15

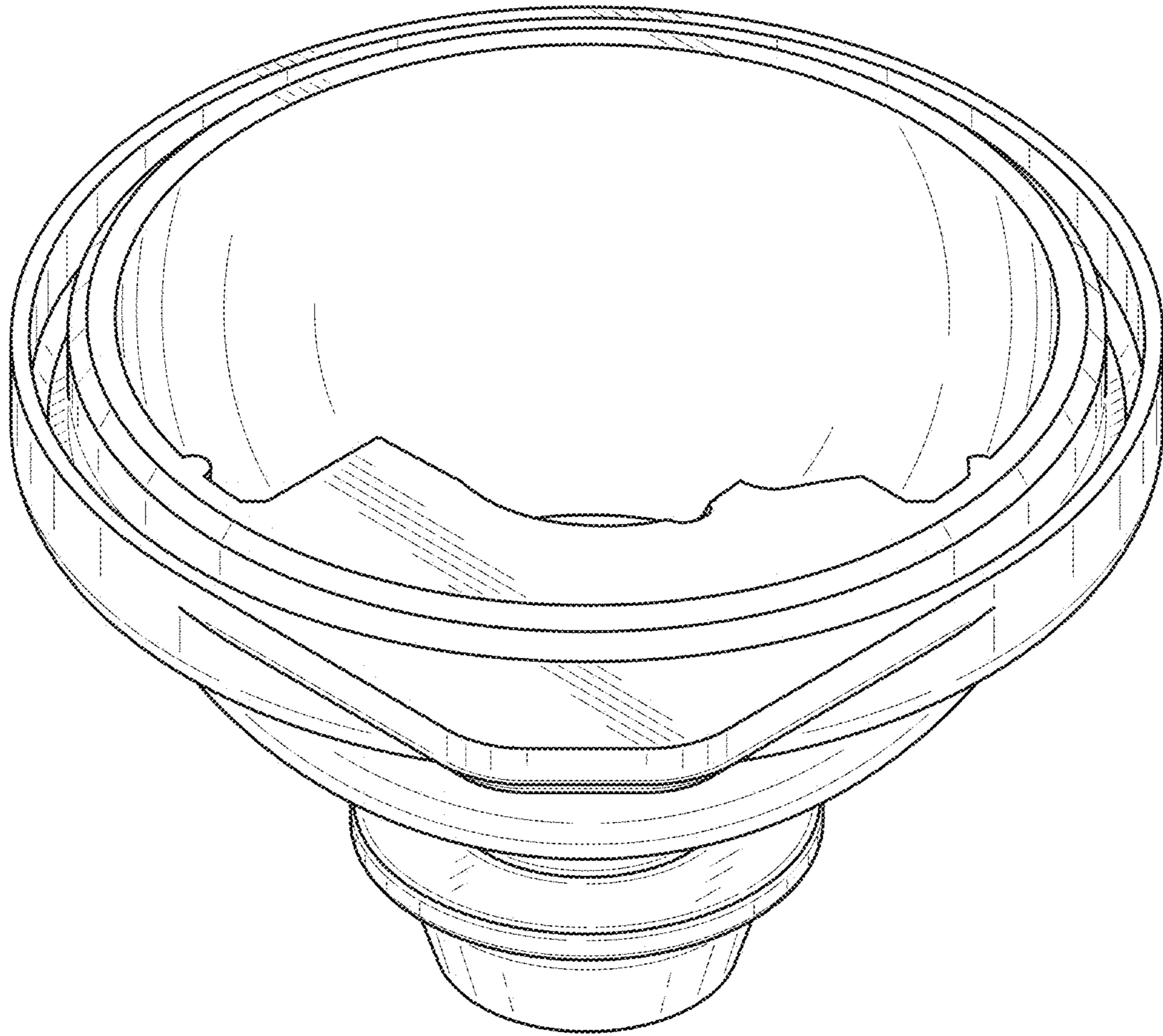


FIG. 16



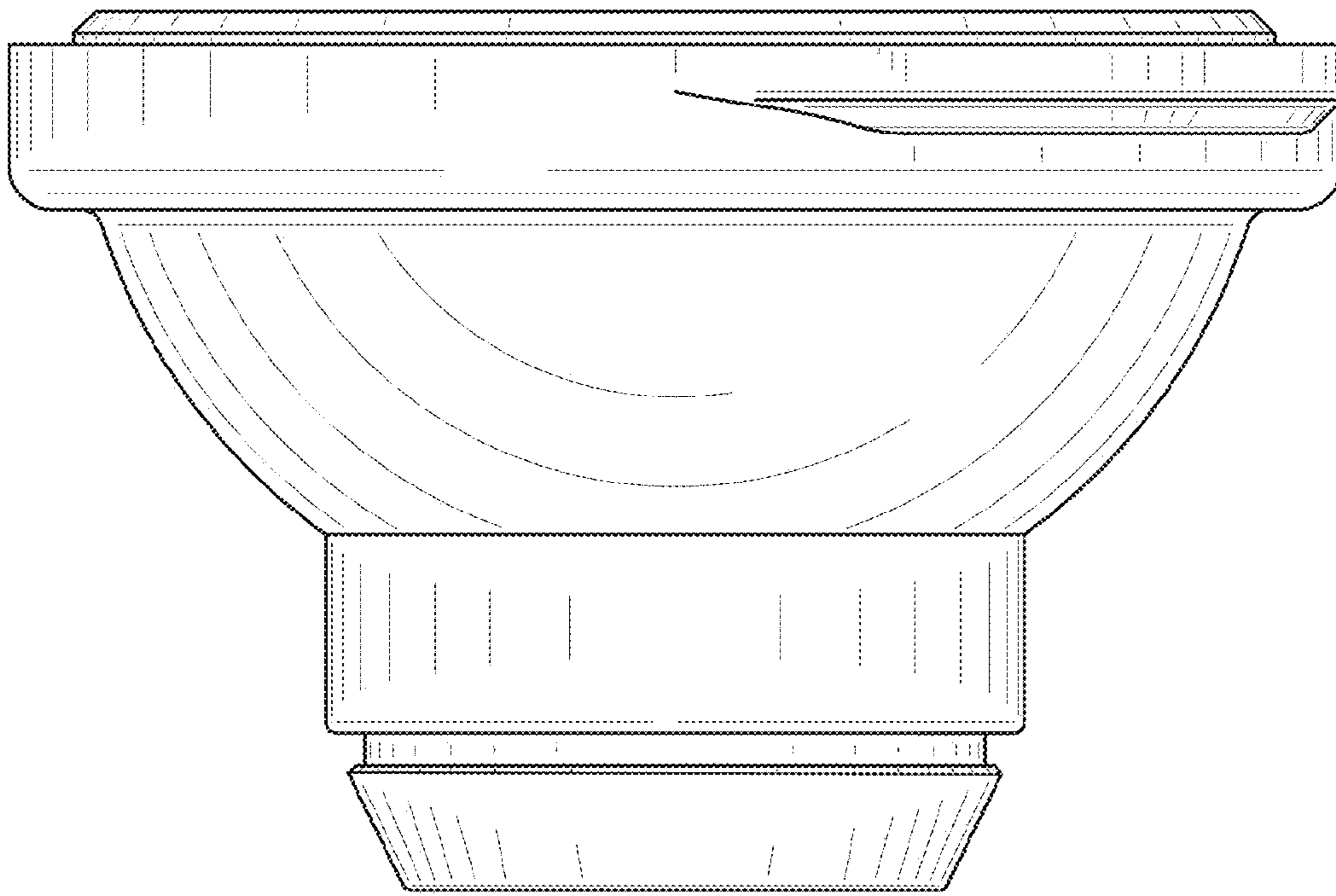


FIG. 17

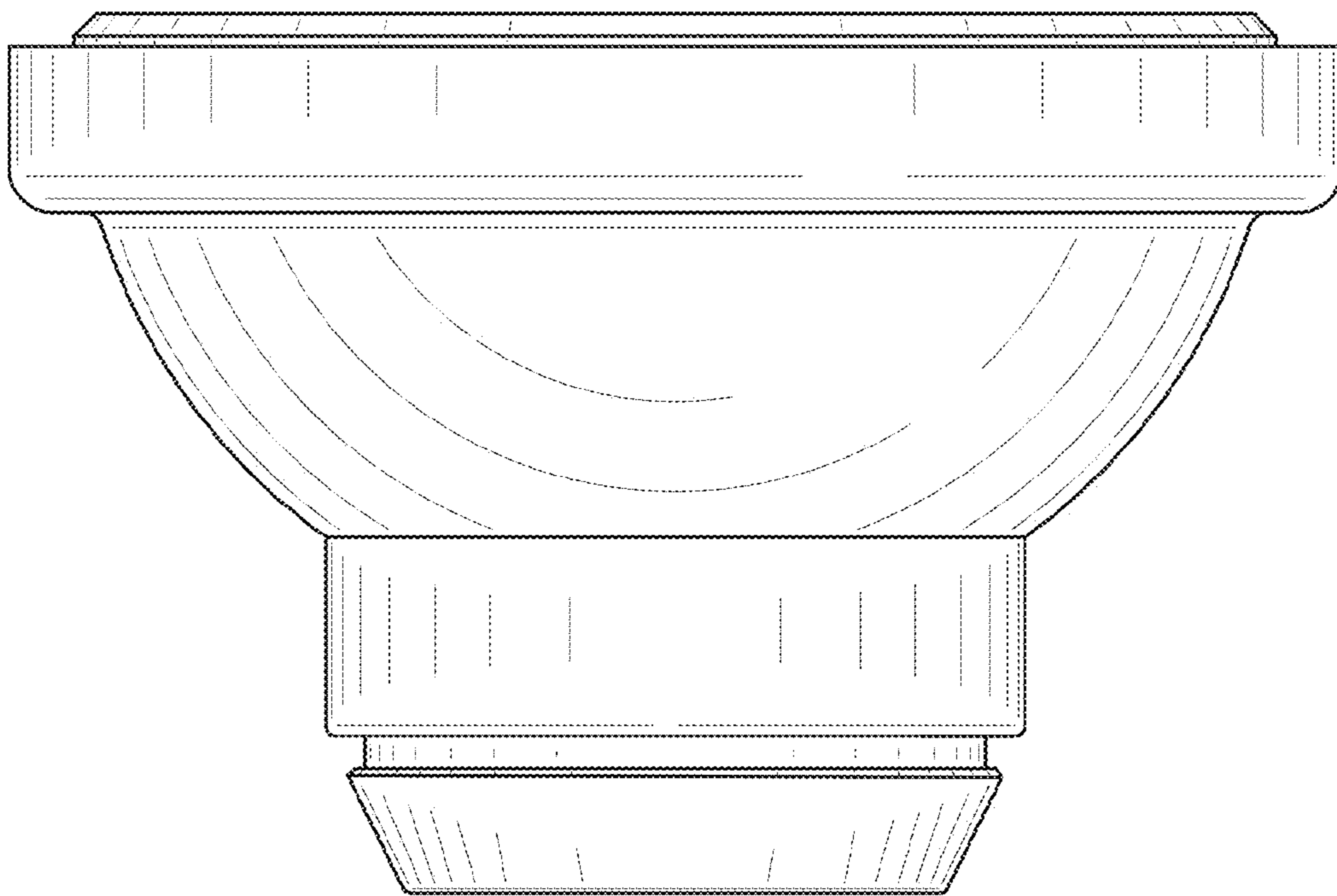


FIG. 18

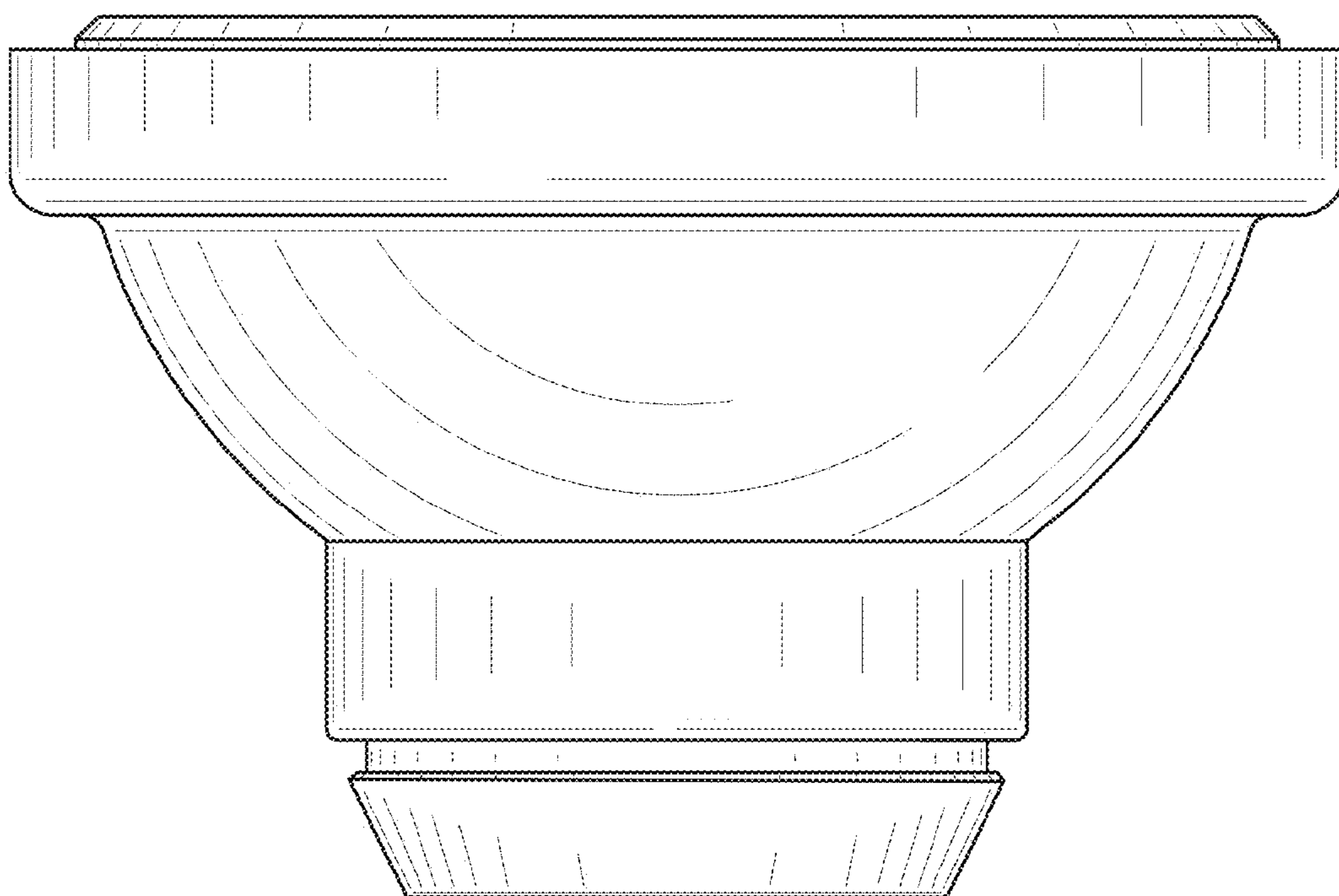


FIG. 19

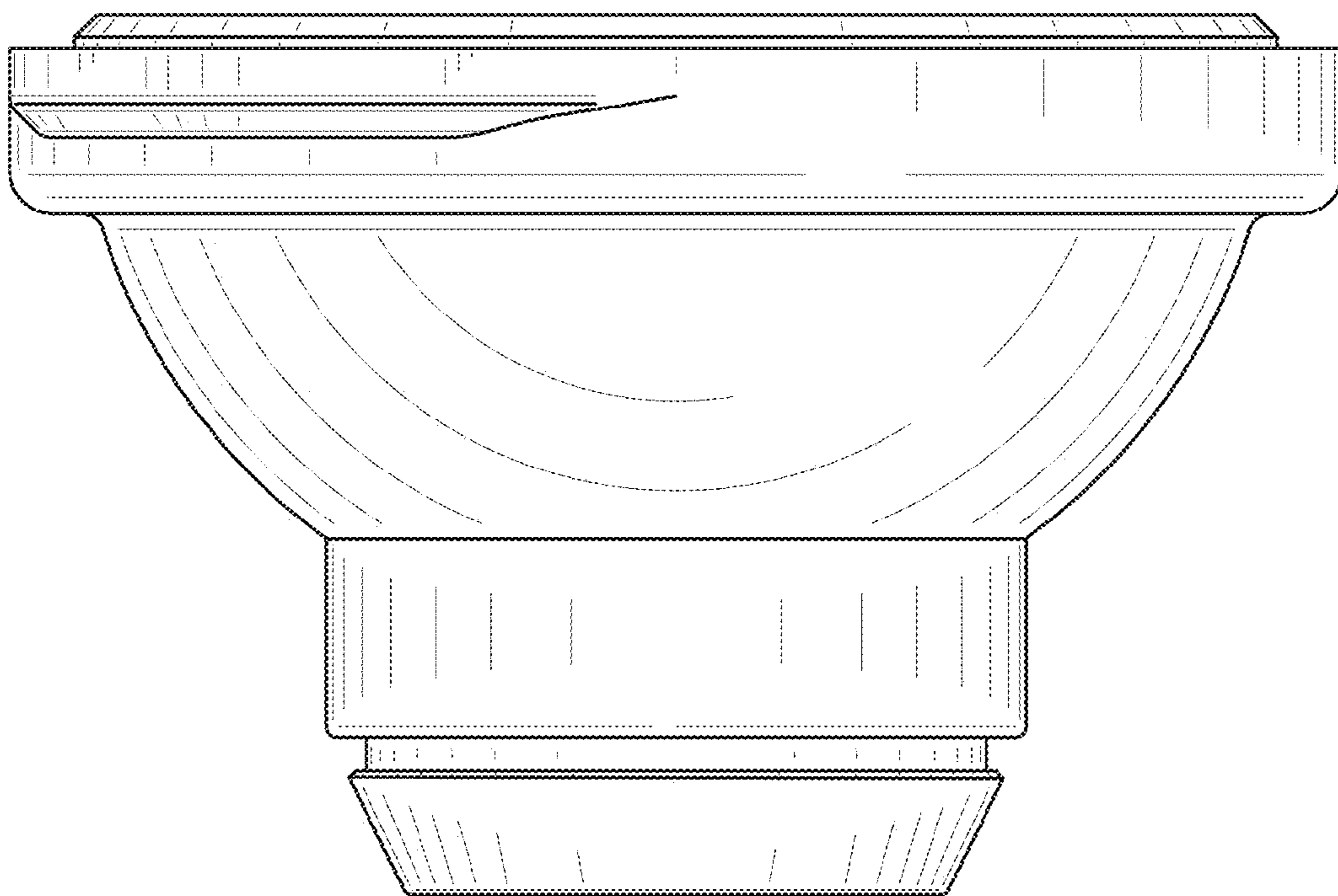


FIG. 20

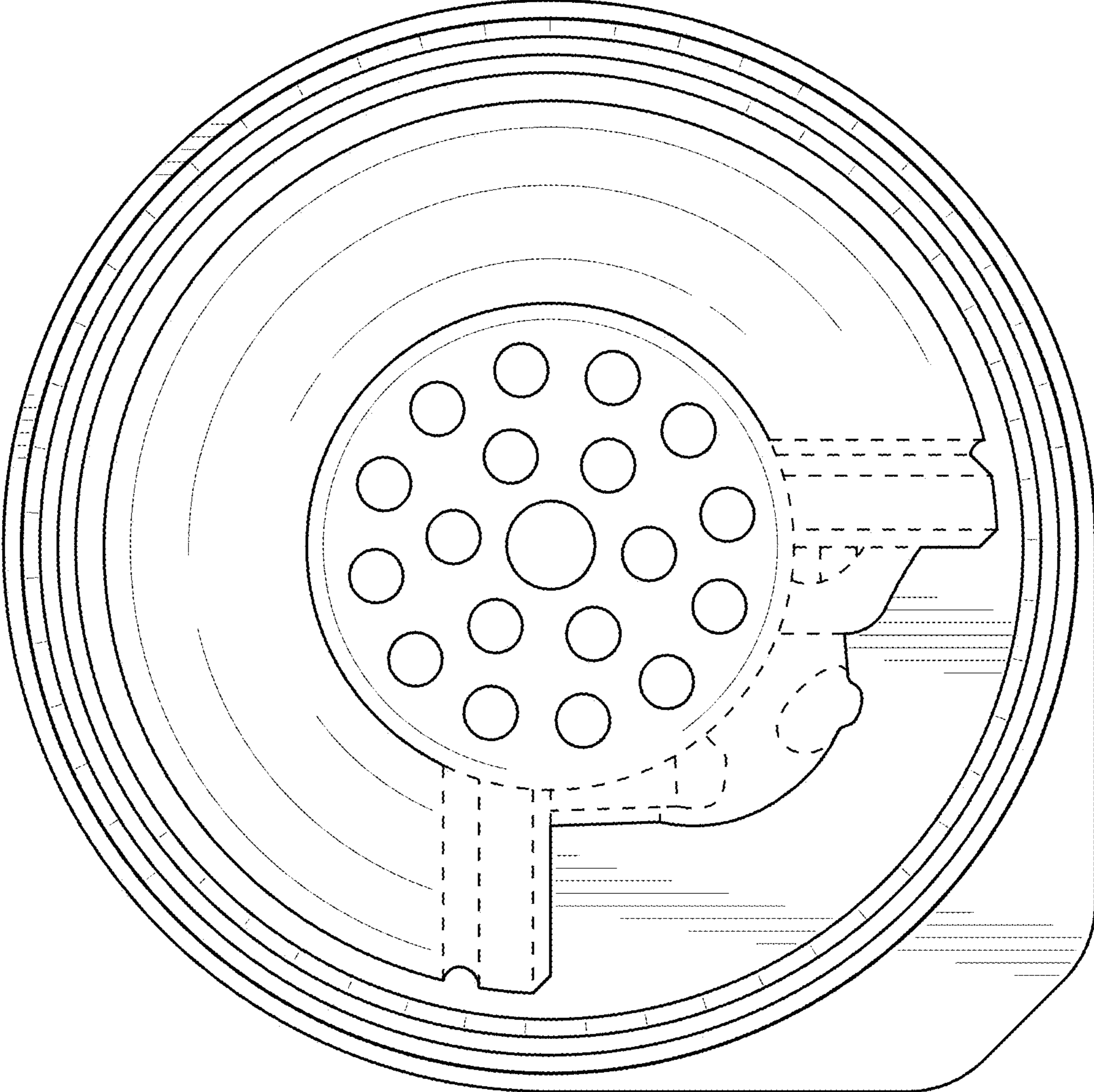


FIG. 21

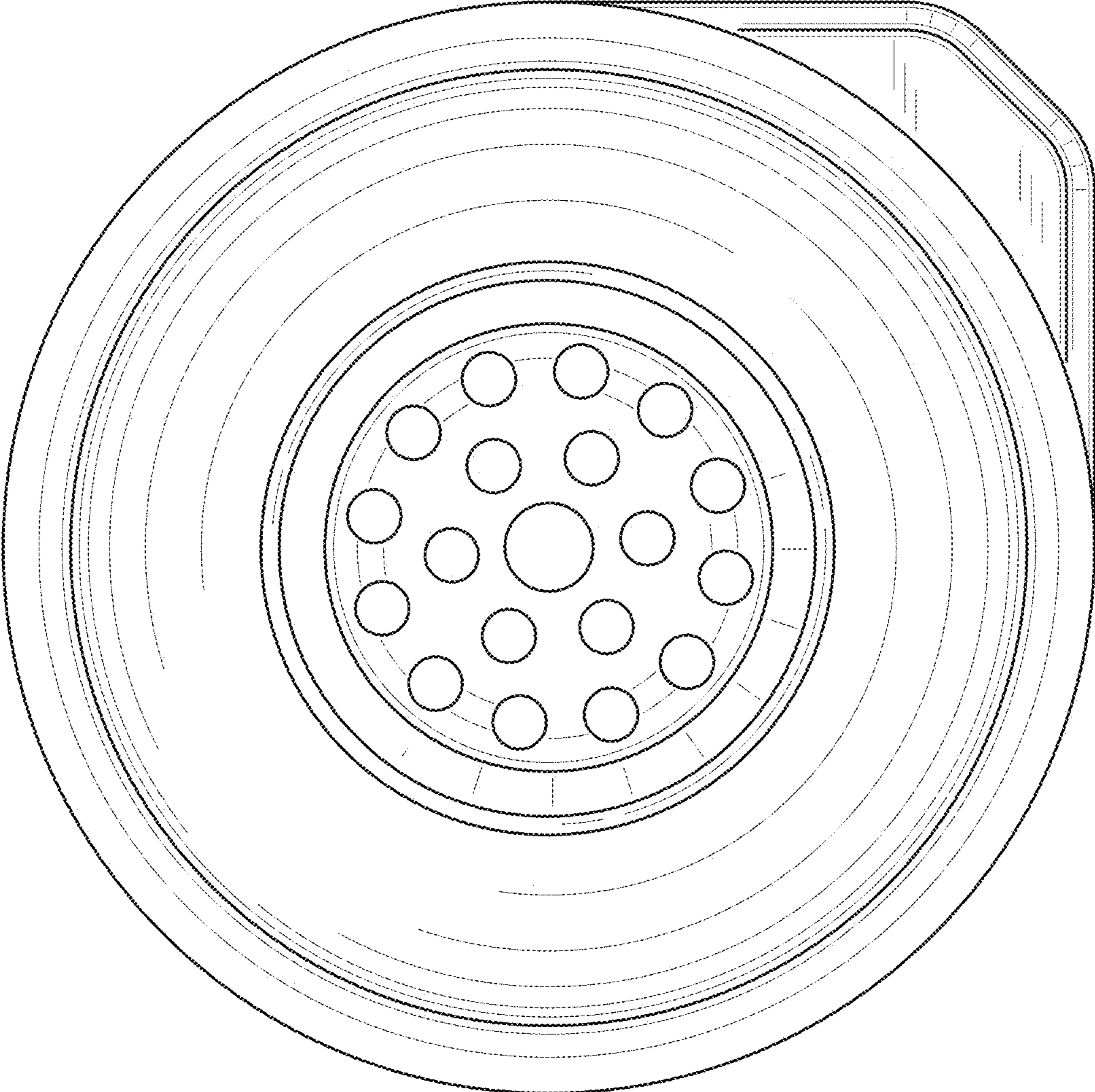


FIG. 22