



US00D947257S

(12) **United States Design Patent**
Zhu

(10) **Patent No.:** **US D947,257 S**
(45) **Date of Patent:** **** Mar. 29, 2022**

(54) **REFRIGERATOR**

(71) Applicants: **HEFEI HUALING CO., LTD.**, Hefei (CN); **HEFEI MIDEA REFRIGERATOR CO., LTD.**, Hefei (CN); **MIDEA GROUP CO., LTD.**, Foshan (CN)

(72) Inventor: **Xiangyu Zhu**, Hefei (CN)

(73) Assignees: **Hefei Hualing Co., Ltd.**, Hefei (CN); **Hefei Midea Refrigerator Co., Ltd.**, Hefei (CN); **Midea Group Co., Ltd.**, Foshan (CN)

(**) Term: **15 Years**

(21) Appl. No.: **29/724,462**

(22) Filed: **Feb. 14, 2020**

(30) **Foreign Application Priority Data**

Oct. 11, 2019 (CN) 201930551741.2

(51) **LOC (13) Cl.** **15-07**

(52) **U.S. Cl.**
USPC **D15/83**

(58) **Field of Classification Search**
USPC D15/79, 80, 81, 82, 83, 84, 85, 86, 87, D15/88, 89, 90, 91; D6/657, 659; D3/304, 307
CPC F25C 2400/10; F25D 2400/10; F25D 2400/12; F25D 2400/14; F25D 2400/18; G05B 2219/2654; G09F 23/0058; Y10S 292/71

See application file for complete search history.

(56) **References Cited**

U.S. PATENT DOCUMENTS

D103,000 S * 2/1937 Worthington D15/83
D110,743 S * 8/1938 Worthington D15/84

D121,392 S * 7/1940 Loewy et al. D15/84
2,276,635 A * 3/1942 Weber F25D 23/082
220/349
D147,369 S * 8/1947 Loewy D15/84
D147,921 S * 11/1947 Money et al. D15/85
D147,922 S * 11/1947 Money et al. D15/85
D156,760 S * 1/1950 Orley D15/83
D176,840 S * 2/1956 Dailey D15/83
D199,826 S * 12/1964 Reichow D15/83
D239,490 S * 4/1976 Pellegrini D15/83
D256,587 S * 8/1980 Tatsumi D15/83
D299,391 S * 1/1989 Meehan D15/83
D593,583 S * 6/2009 Choi D15/83
D596,651 S * 7/2009 Li D15/79
D597,560 S * 8/2009 Choi D15/83
D652,434 S * 1/2012 Sun D15/83
D668,272 S * 10/2012 Ebelt D15/81
D672,374 S * 12/2012 Choi D15/83
D672,793 S * 12/2012 Tang D15/83
D689,531 S * 9/2013 Gossens D15/83
D771,157 S * 11/2016 Yamada D15/81

(Continued)

Primary Examiner — Mojtaba Tehrani

(74) *Attorney, Agent, or Firm* — Seed IP Law Group LLP

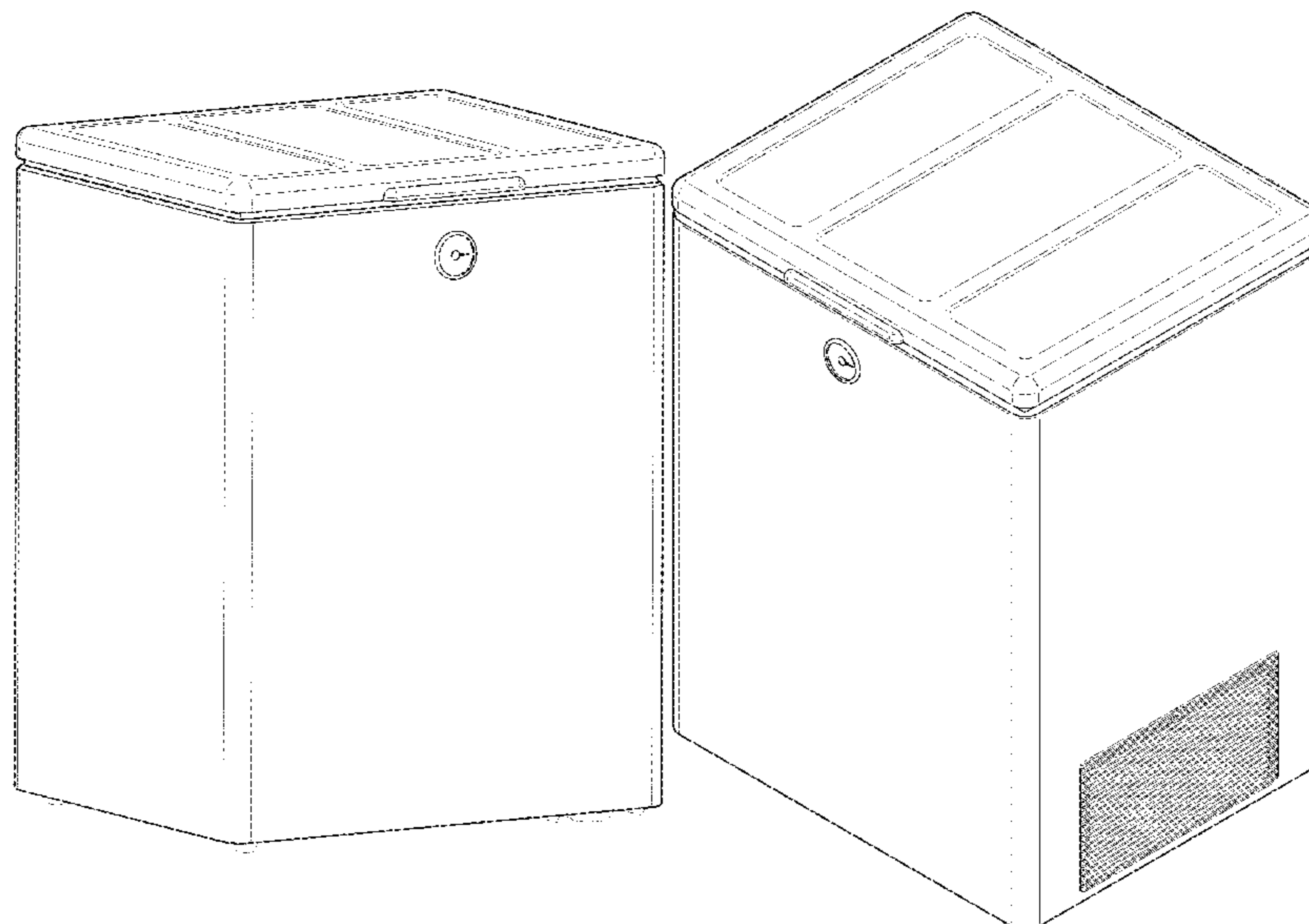
(57) **CLAIM**

The ornamental design for a refrigerator, as shown and described.

DESCRIPTION

FIG. 1 is a perspective view of a refrigerator showing my new design.
FIG. 2 is a front view thereof.
FIG. 3 is a rear view thereof.
FIG. 4 is a left side view thereof.
FIG. 5 is a right side view thereof.
FIG. 6 is a top view thereof; and,
FIG. 7 is an isometric view thereof.
The broken lines shown in the drawings depict portions of the refrigerator that form no part of the claimed design.

1 Claim, 7 Drawing Sheets



(56)

References Cited

U.S. PATENT DOCUMENTS

D851,689	S	*	6/2019	You	D15/81
D891,488	S	*	7/2020	McKee	D15/79
10,852,052	B2	*	12/2020	Liang	F25D 21/04
2005/0150245	A1	*	7/2005	Nam	F25D 25/04
						62/378
2018/0180344	A1	*	6/2018	Takahashi	F25D 23/066
2018/0209716	A1	*	7/2018	Jain	F25D 17/08

* cited by examiner

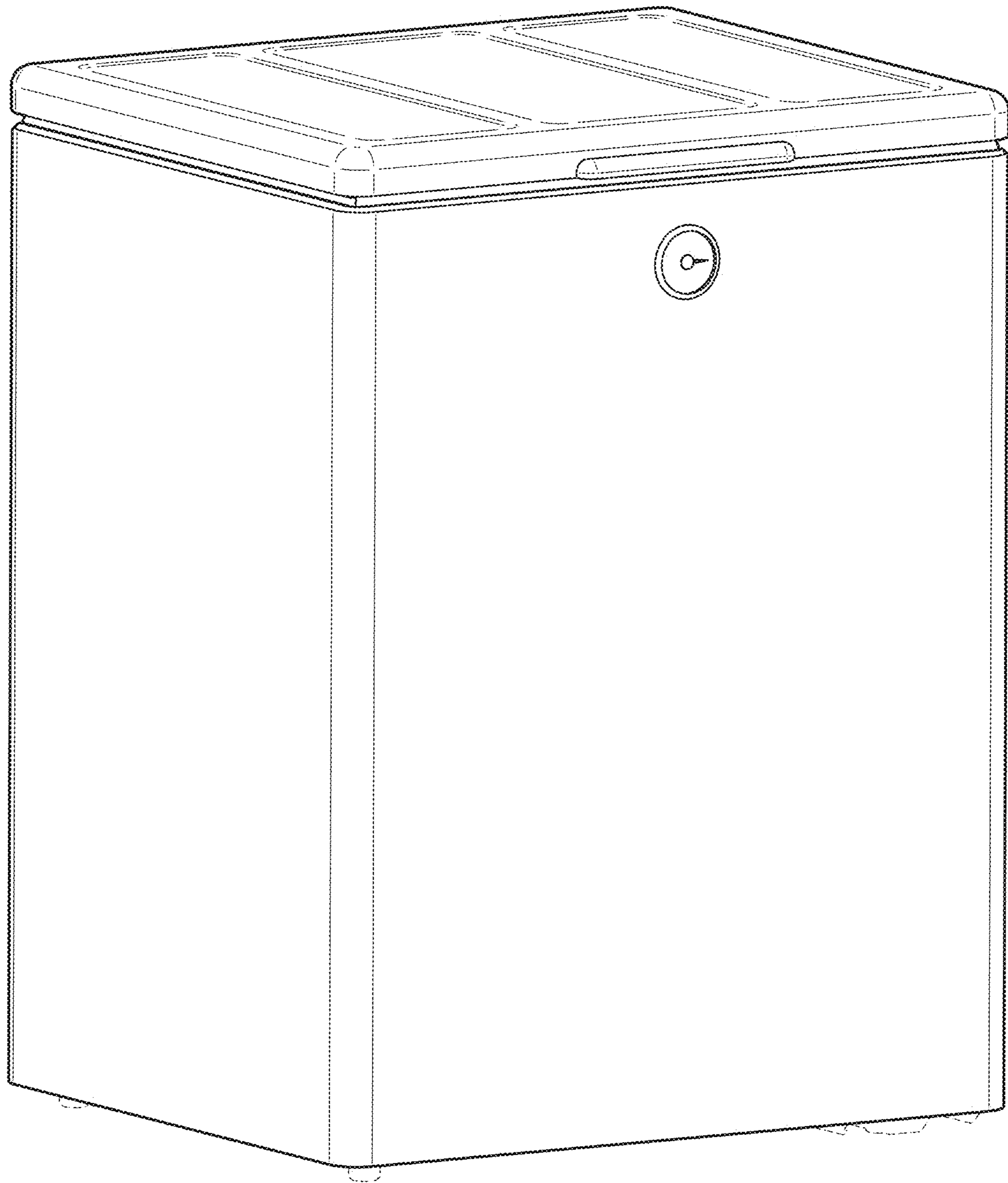


FIG. 1

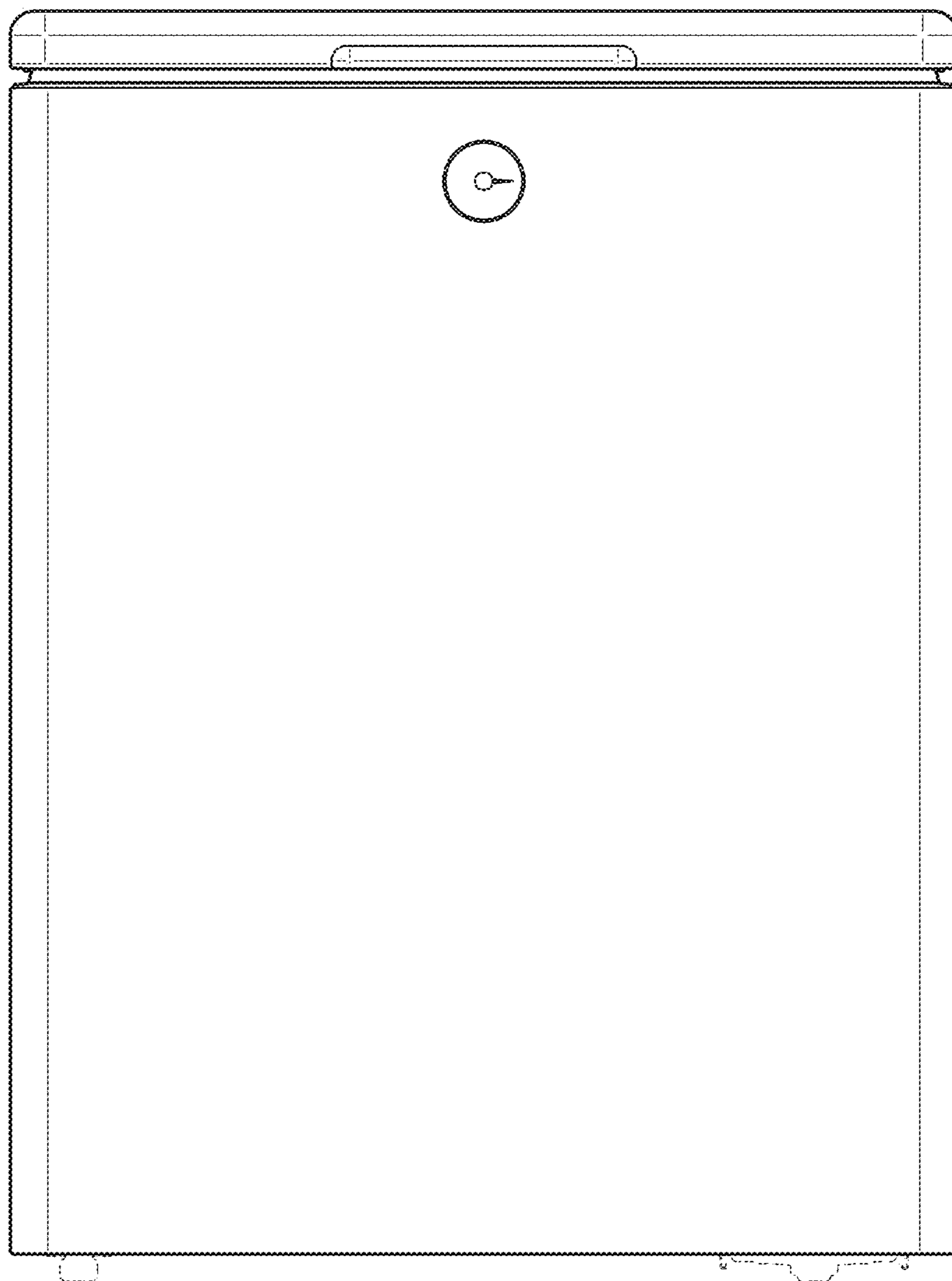


FIG. 2

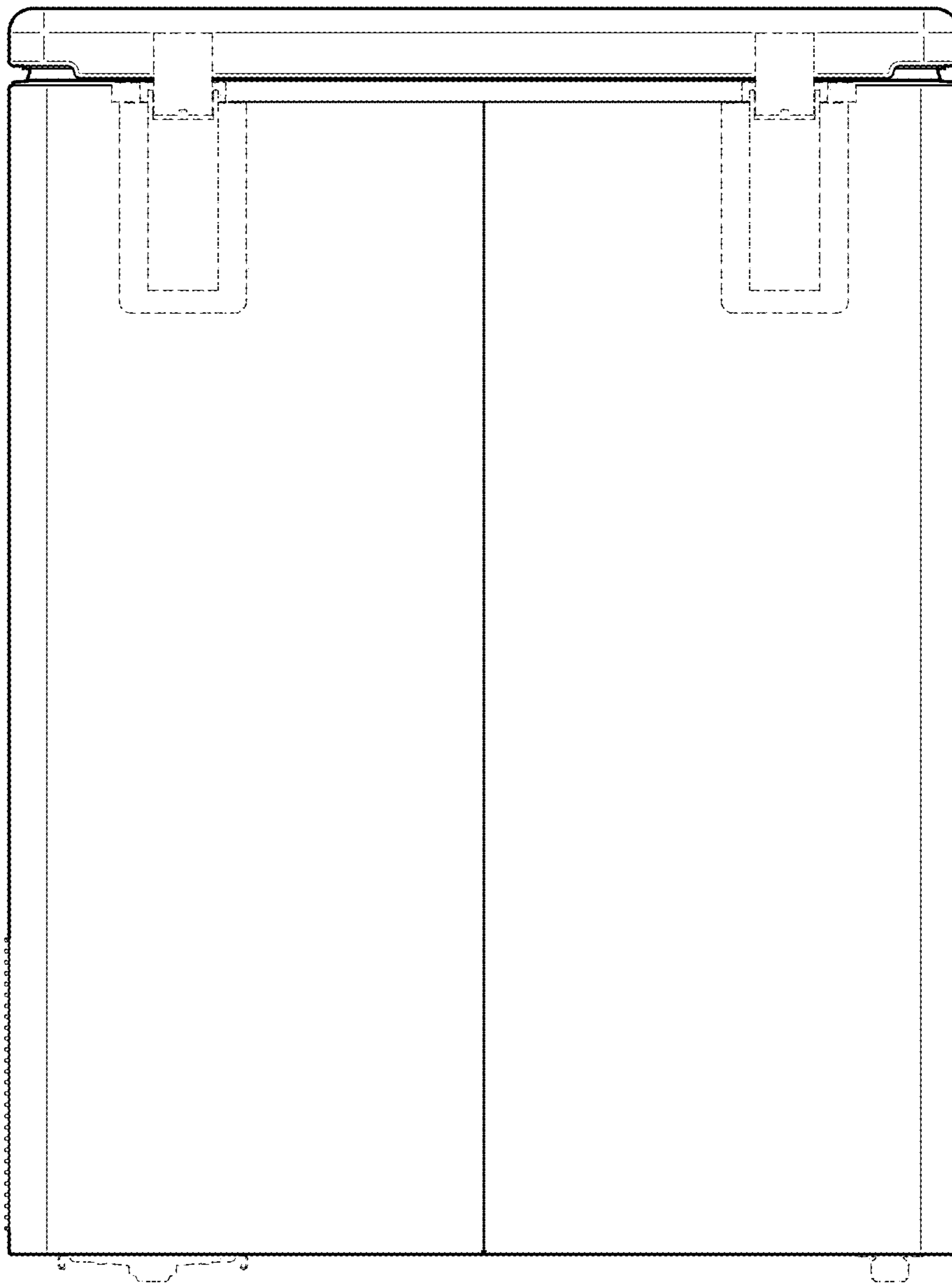


FIG. 3

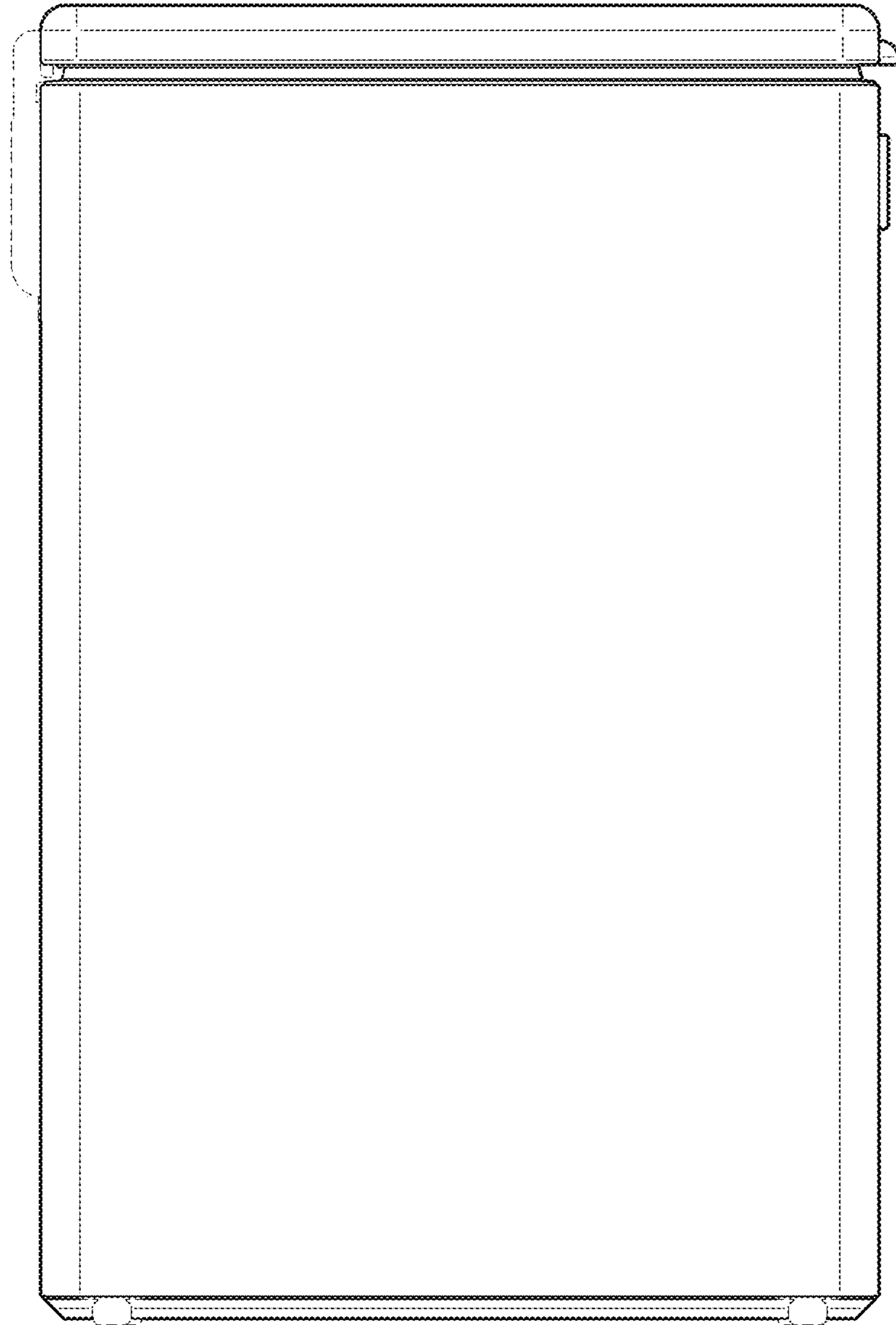


FIG. 4

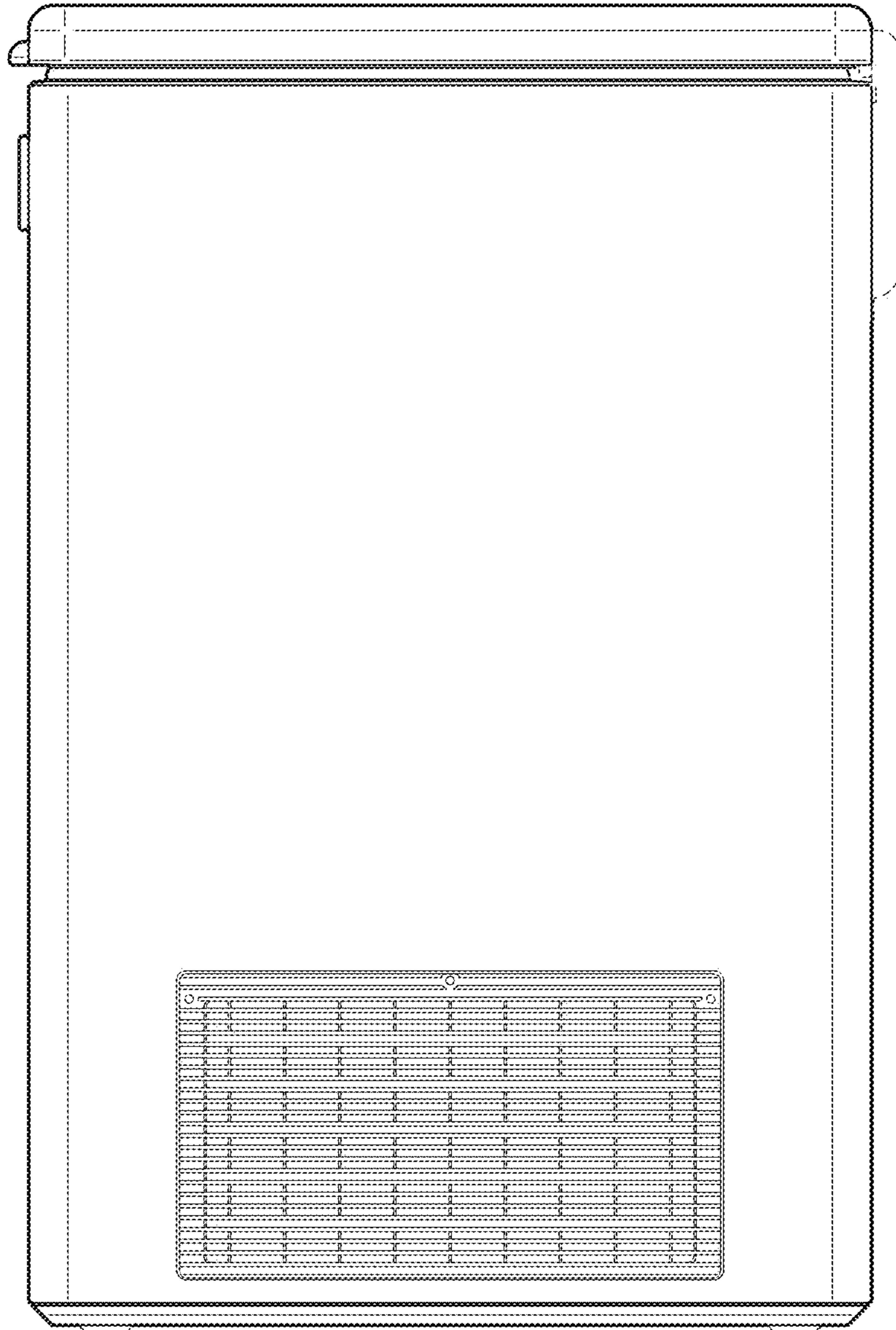


FIG. 5

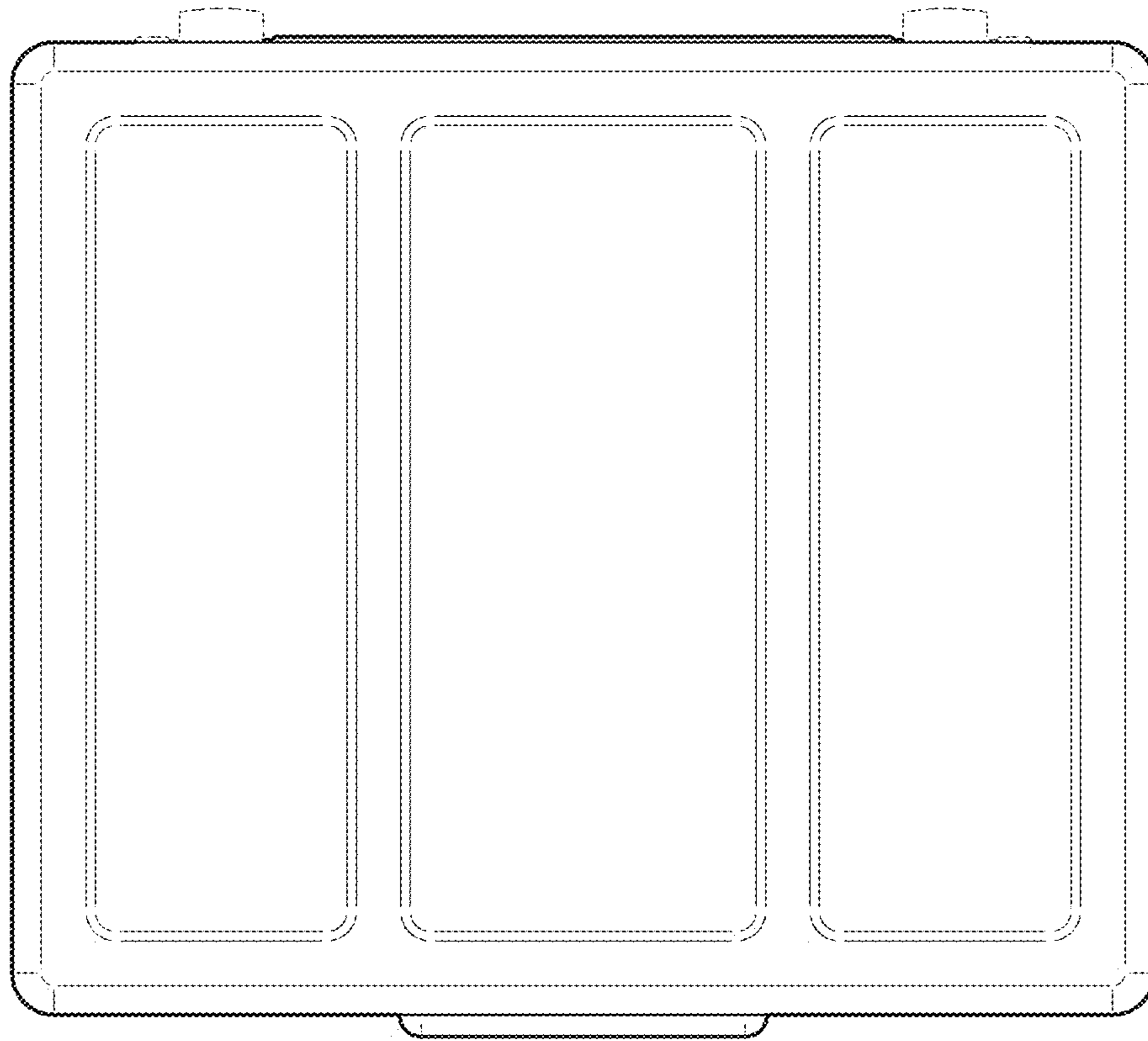


FIG. 6

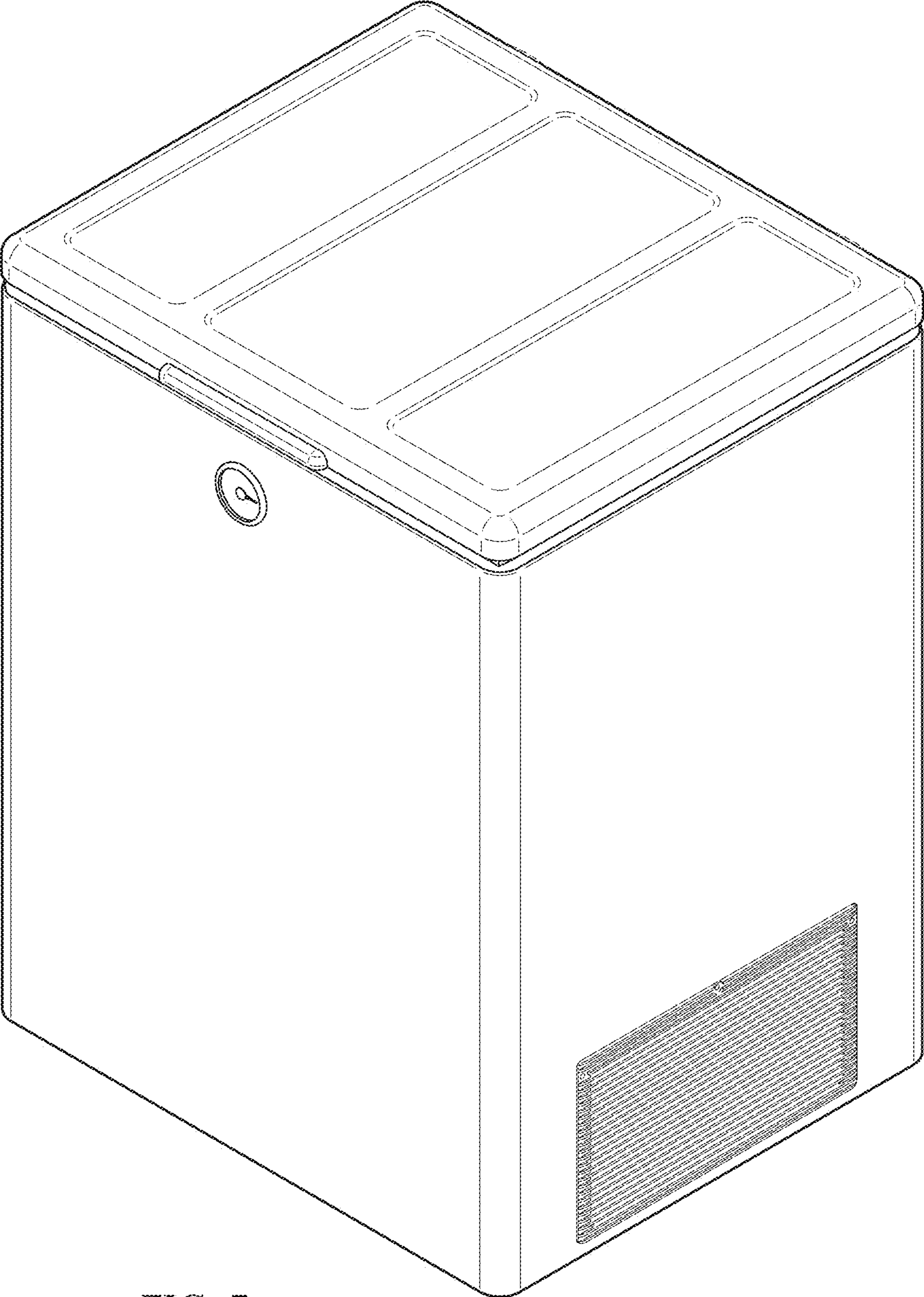


FIG. 7