



US00D947255S

(12) **United States Design Patent**
Zong et al.

(10) **Patent No.:** **US D947,255 S**
(45) **Date of Patent:** **** Mar. 29, 2022**

(54) **LOADER**

(56)

References Cited

(71) Applicants: **JIANGSU XCMG CONSTRUCTION MACHINERY RESEARCH INSTITUTE LTD.**, Jiangsu (CN); **XUZHOU XUGONG SPECIAL CONSTRUCTION MACHINERY CO., LTD.**, Jiangsu (CN)

U.S. PATENT DOCUMENTS

D272,825 S *	2/1984	Cochran	D15/23
D314,389 S *	2/1991	Lynnes	D15/25
D317,926 S *	7/1991	Lynnes	D15/25
D322,792 S *	12/1991	Park	D15/25
5,160,034 A *	11/1992	Potter	B07B 1/005 171/135
D376,372 S *	12/1996	Little	D15/23
D450,718 S *	11/2001	Muraro	D15/25
D520,525 S *	5/2006	Enmeiji	D15/23
D572,276 S *	7/2008	Pinther	D15/23
D573,160 S *	7/2008	Kato	D15/25
D579,027 S *	10/2008	Kato	D15/25
D583,834 S *	12/2008	Sugiyama	D15/23
D583,835 S *	12/2008	Sugiyama	D15/23
D631,897 S *	2/2011	Major	D15/23
D708,232 S *	7/2014	Furuki	D15/23

(72) Inventors: **Xuemei Zong**, Jiangsu (CN); **Yong Shen**, Jiangsu (CN); **Yilin Lu**, Jiangsu (CN); **Zhiyao Zan**, Jiangsu (CN)

(73) Assignees: **Jiangsu XCMG Construction Machinery Research Institute Ltd.**, Jiangsu (CN); **Xuzhou Xugong Special Construction Machinery Co., Ltd.**, Jiangsu (CN)

(Continued)

(**) Term: **15 Years**

Primary Examiner — Mark A Goodwin

(21) Appl. No.: **29/743,523**

(74) *Attorney, Agent, or Firm* — Merchant & Gould P.C.

(22) Filed: **Jul. 22, 2020**

(57)

CLAIM

(51) **LOC (13) Cl.** **12-09**

The ornamental design for a loader, as shown and described.

(52) **U.S. Cl.**

DESCRIPTION

USPC **D15/25**

(58) **Field of Classification Search**

USPC D15/10, 17, 22–26, 28, 30, 33; D12/192; D21/329; D34/28, 35; 74/491, 469, 74/471 R, 471 XY; 280/752; 296/1.09, 296/191, 153; 297/411.36, 217.3, 411.2, 297/411.21; 180/333, 315, 326, 332, 329, 180/331, 90, 334, 89.1, 89.12, 900; 414/685, 686

FIG. 1 is a front perspective view of a loader showing our new design;

FIG. 2 is a right side view;

FIG. 3 is a top view;

FIG. 4 is a left side view;

FIG. 5 is a front view;

FIG. 6 is a bottom view;

FIG. 7 is a rear view thereof; and,

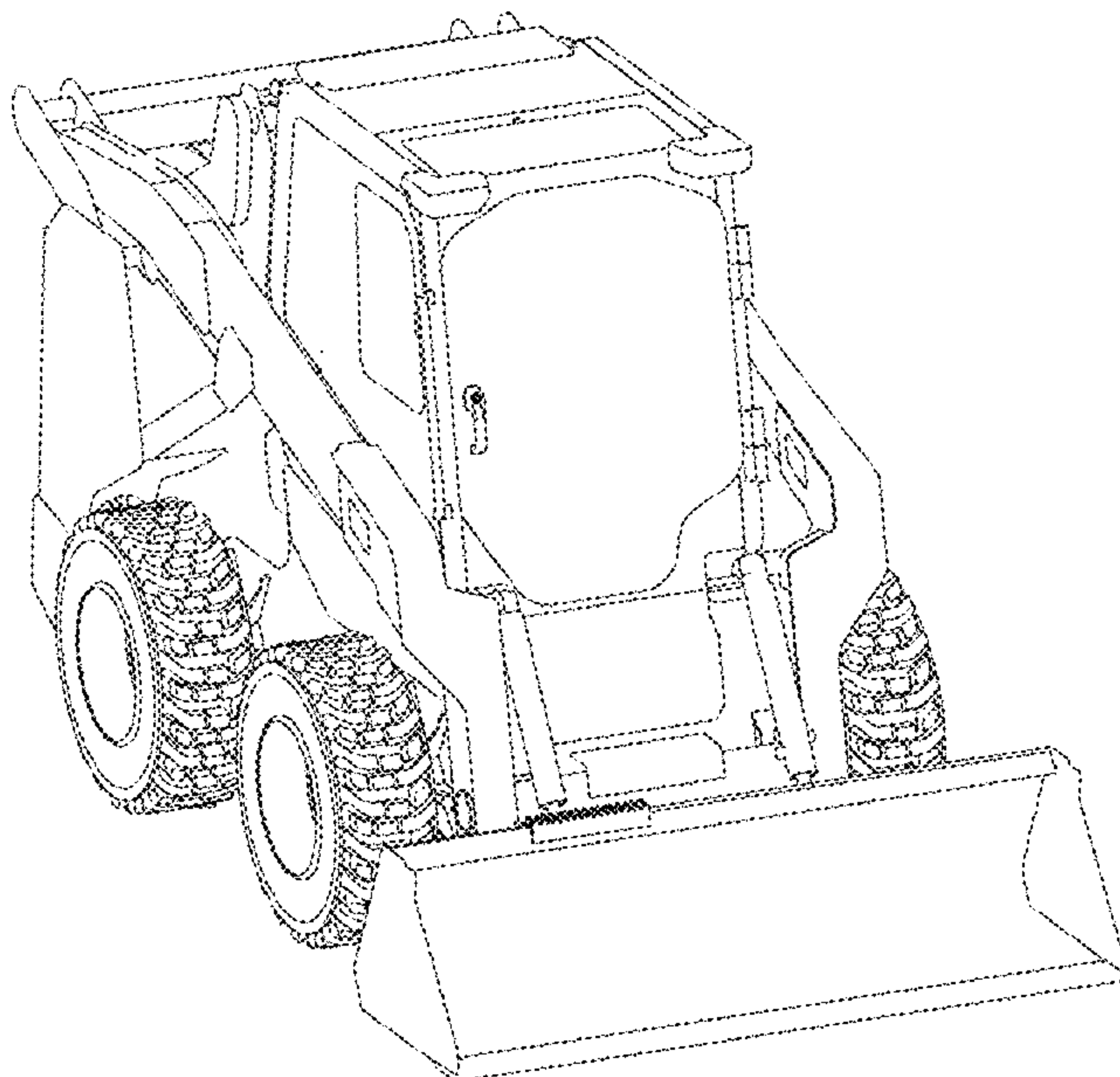
FIG. 8 is a back perspective view thereof.

CPC E02F 3/3405; E02F 3/283; E02F 3/342; E02F 3/3414; E02F 3/38; E02F 3/00; E02F 9/166; E02F 9/163; A01G 23/006; B62D 33/0617; B62D 33/067

The broken line showing of structural features on the bottom view is included for the purpose of illustrating portions of a loader and forms no part of the claimed design.

See application file for complete search history.

1 Claim, 8 Drawing Sheets



(56)

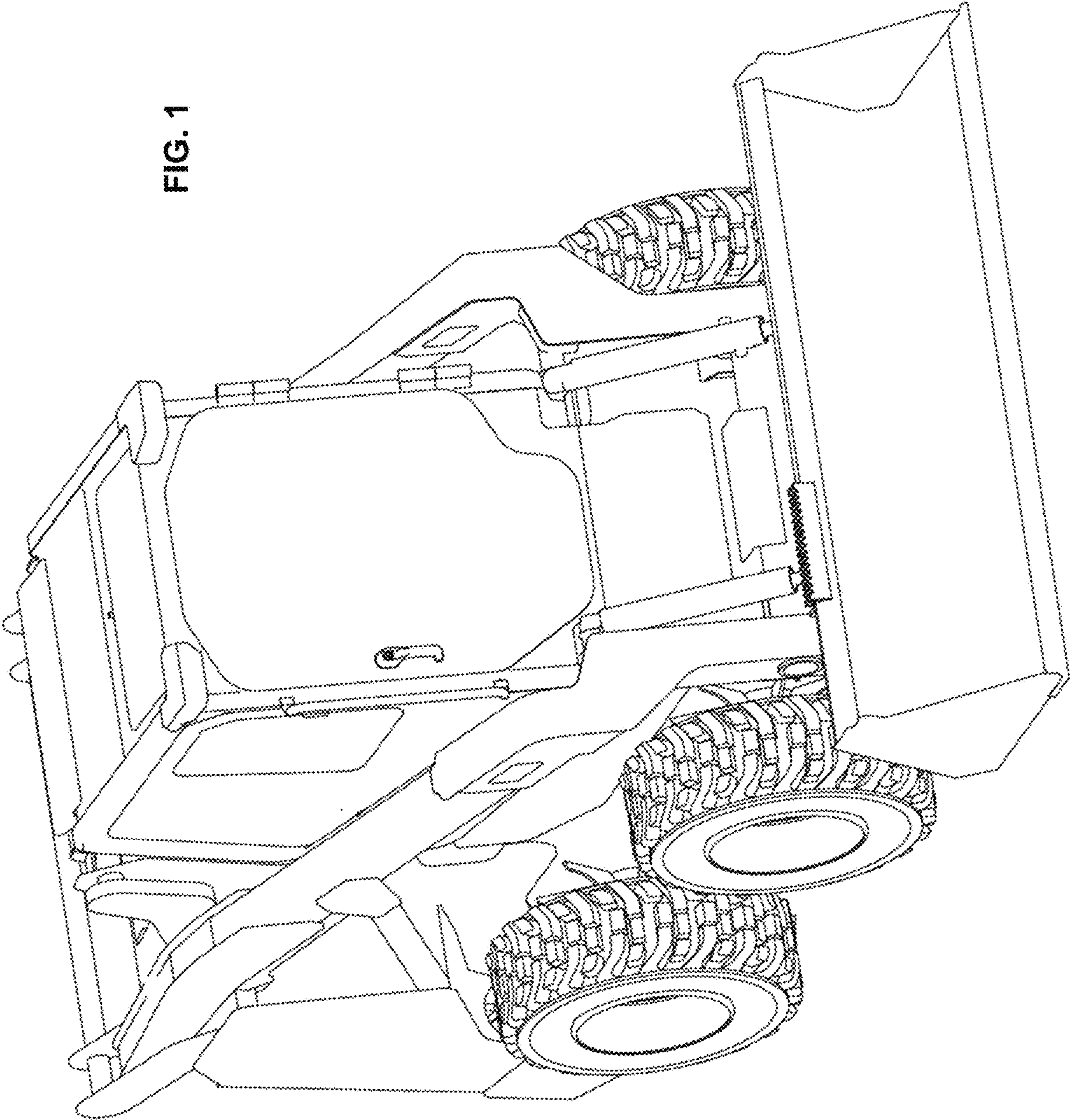
References Cited

U.S. PATENT DOCUMENTS

D756,420 S *	5/2016	Okuyama	D15/23
D758,457 S *	6/2016	Okuyama	D15/23
D790,598 S *	6/2017	Furuki	D15/25
D832,894 S *	11/2018	Price	D15/25
D839,929 S *	2/2019	Price	D15/23
D868,121 S *	11/2019	Carlson	D15/30
D887,451 S *	6/2020	Choi	D15/23
D887,452 S *	6/2020	Choi	D15/23
D887,454 S *	6/2020	Graham	D15/25

* cited by examiner

FIG. 1



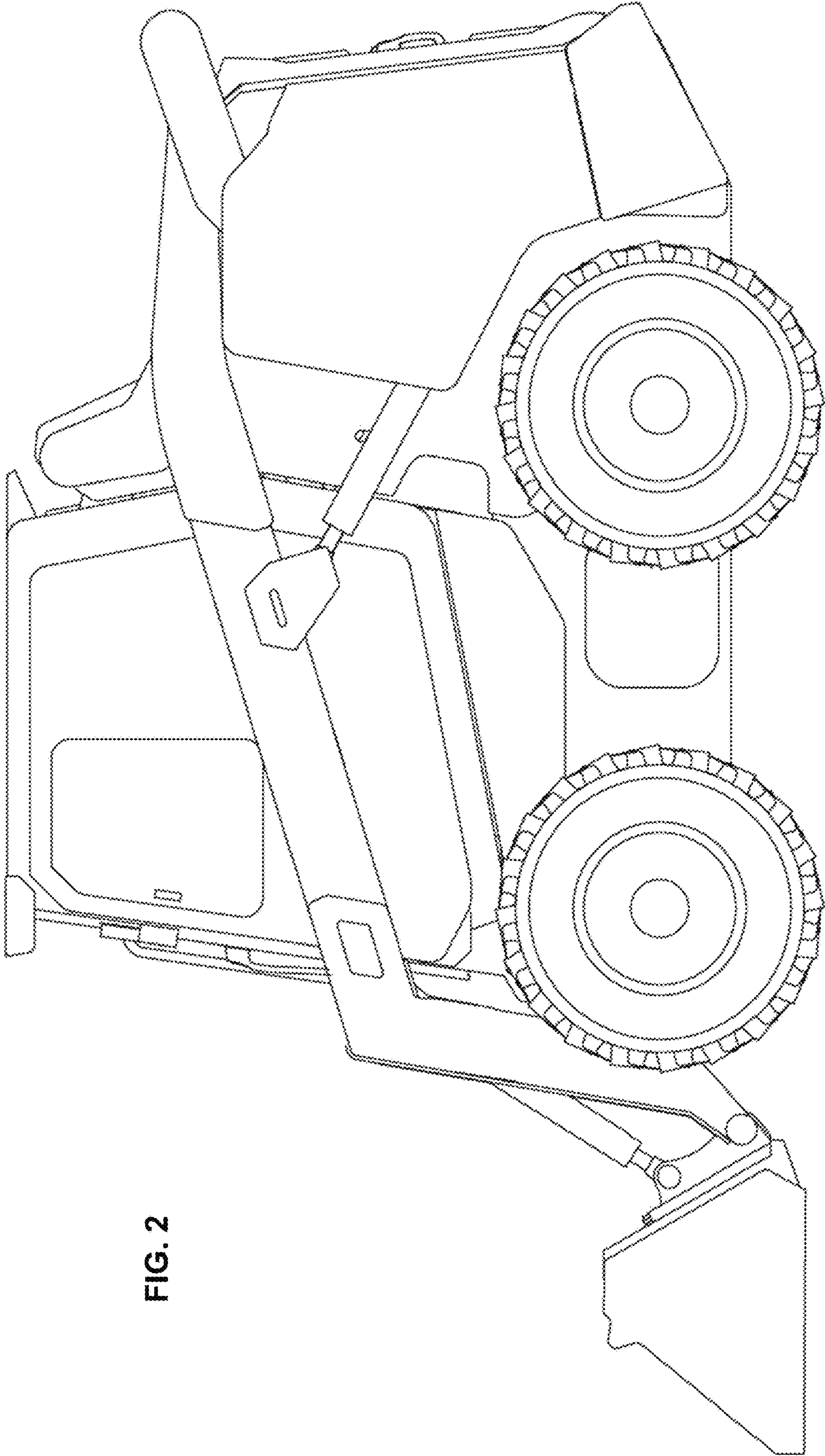


FIG. 2

FIG. 3

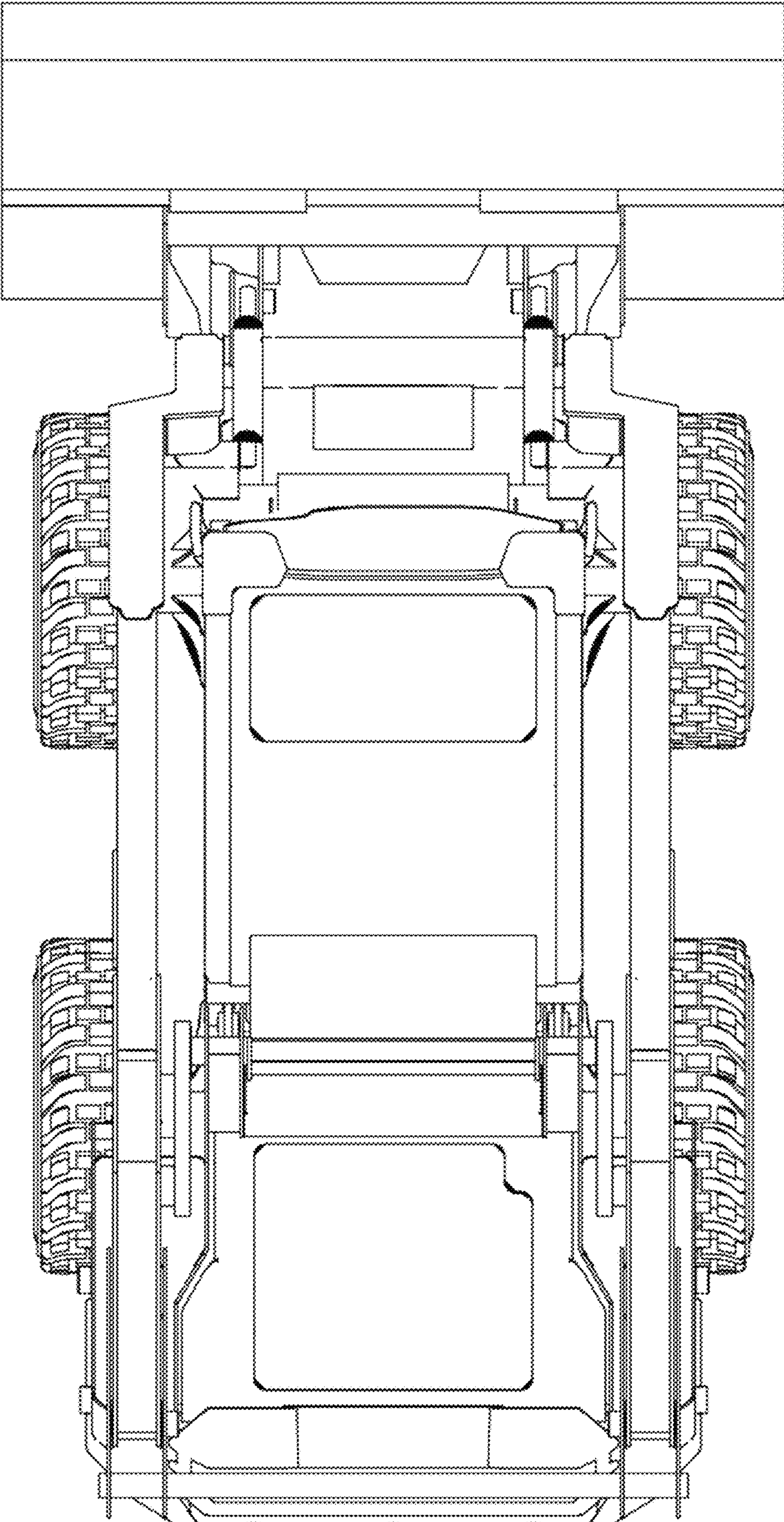
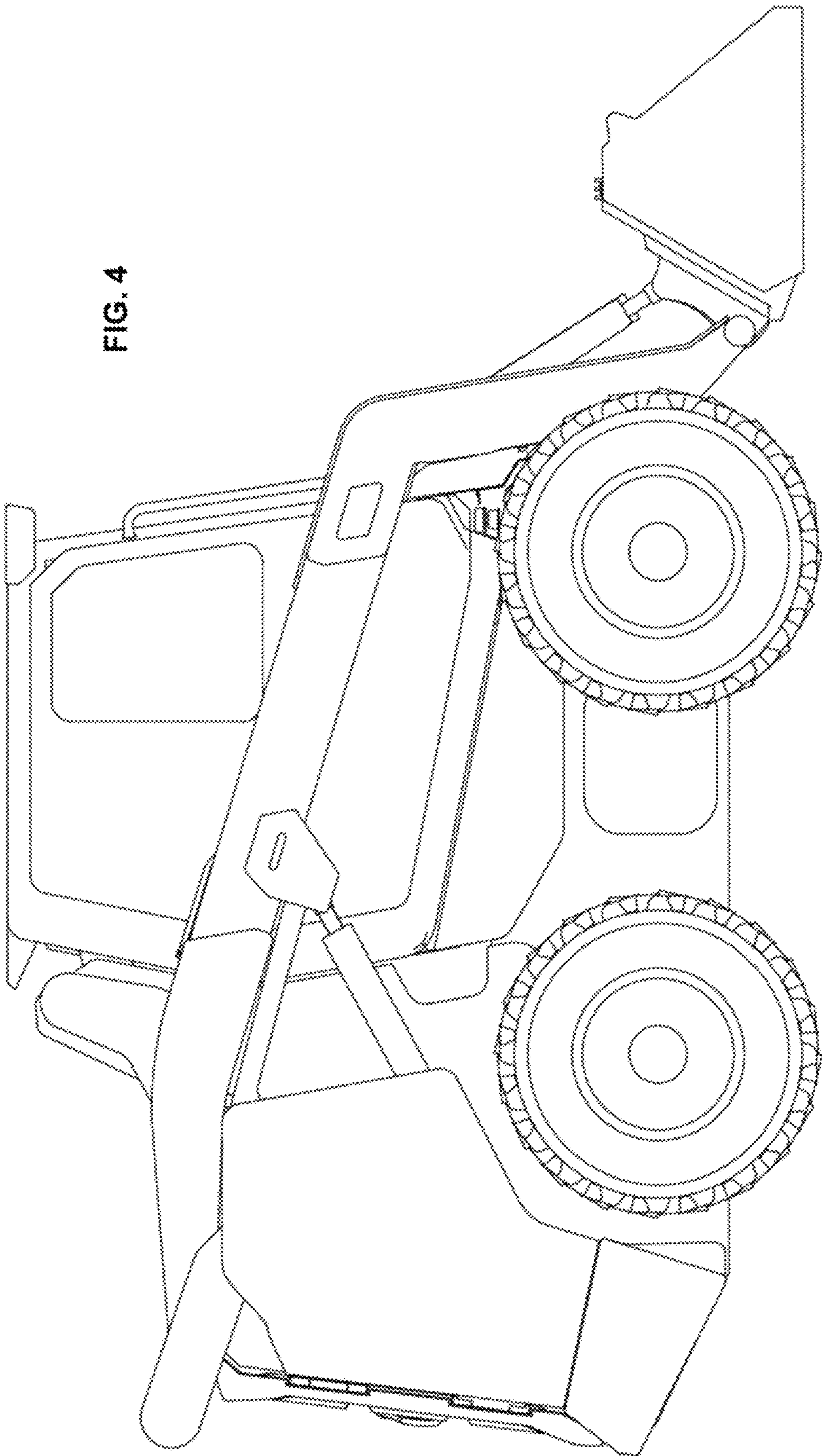


FIG. 4



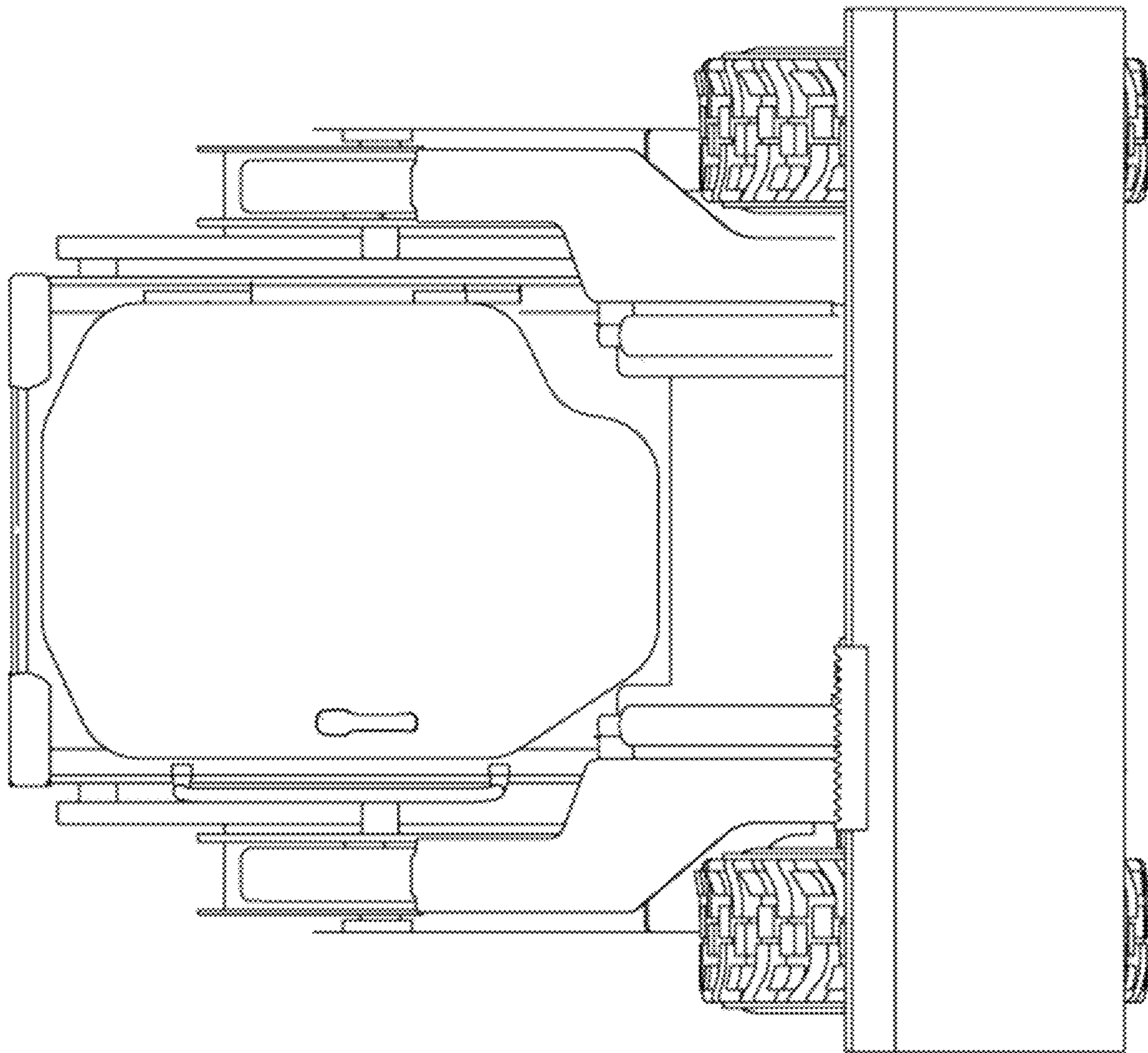
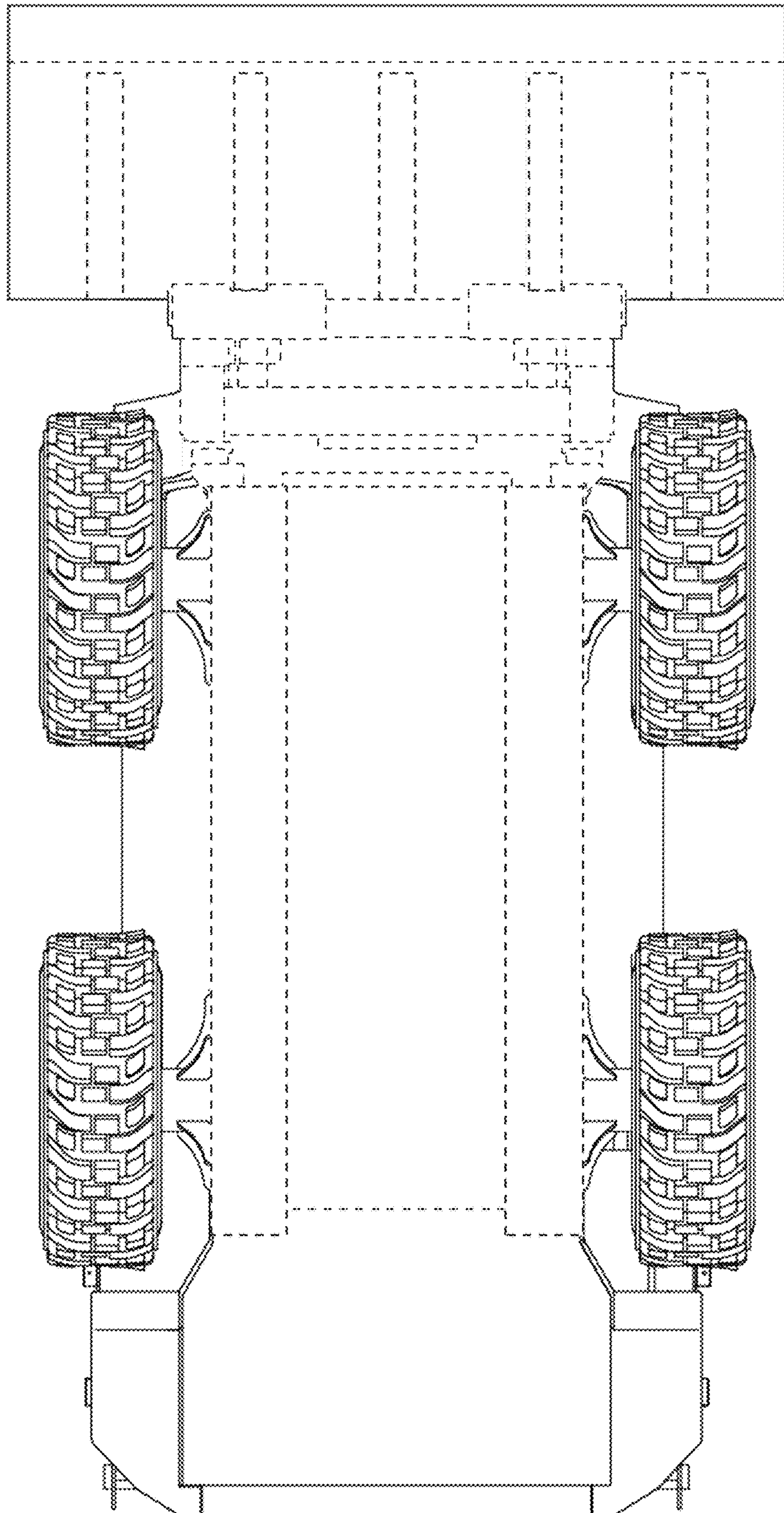


FIG. 5

FIG. 6



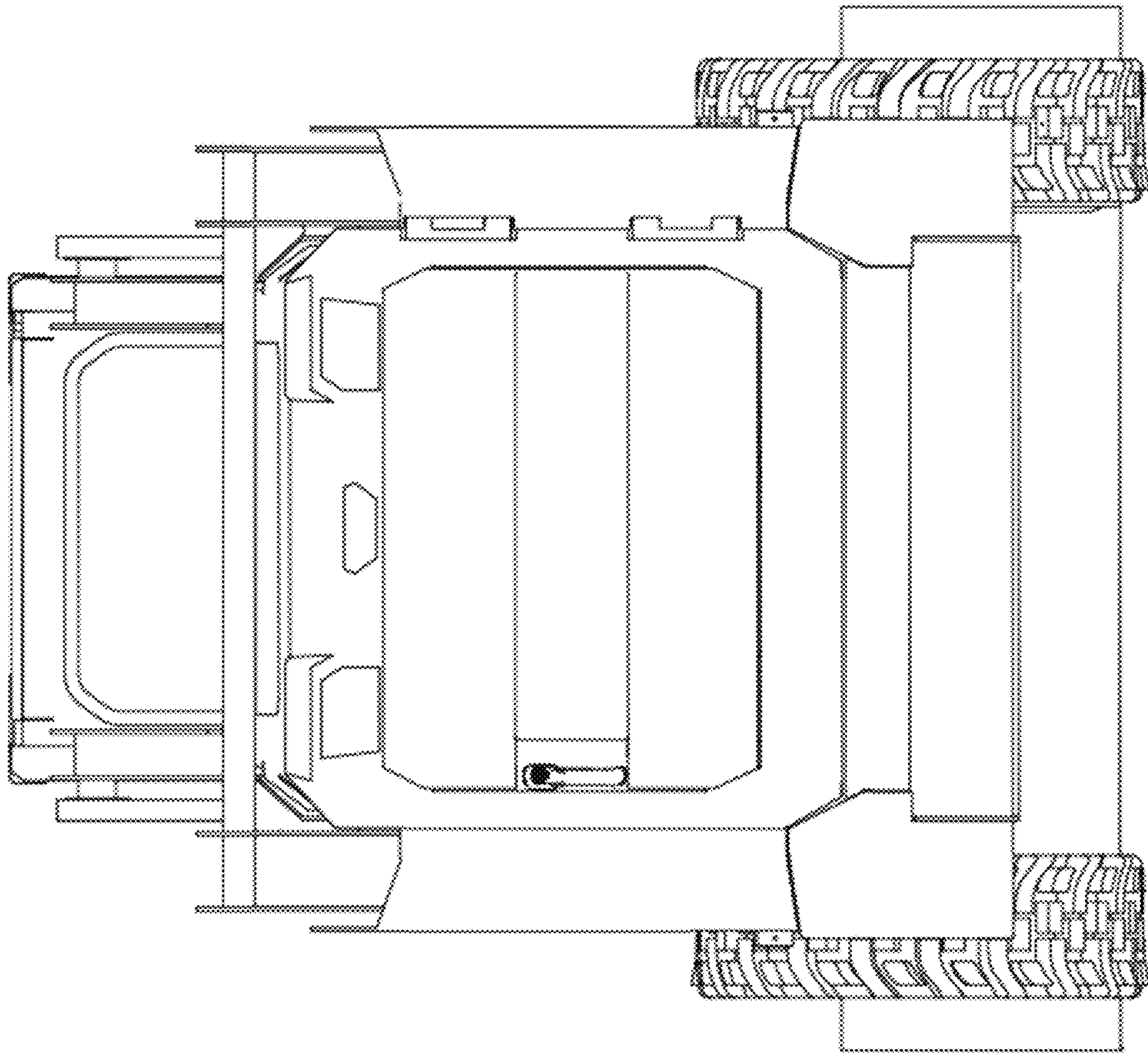


FIG. 7

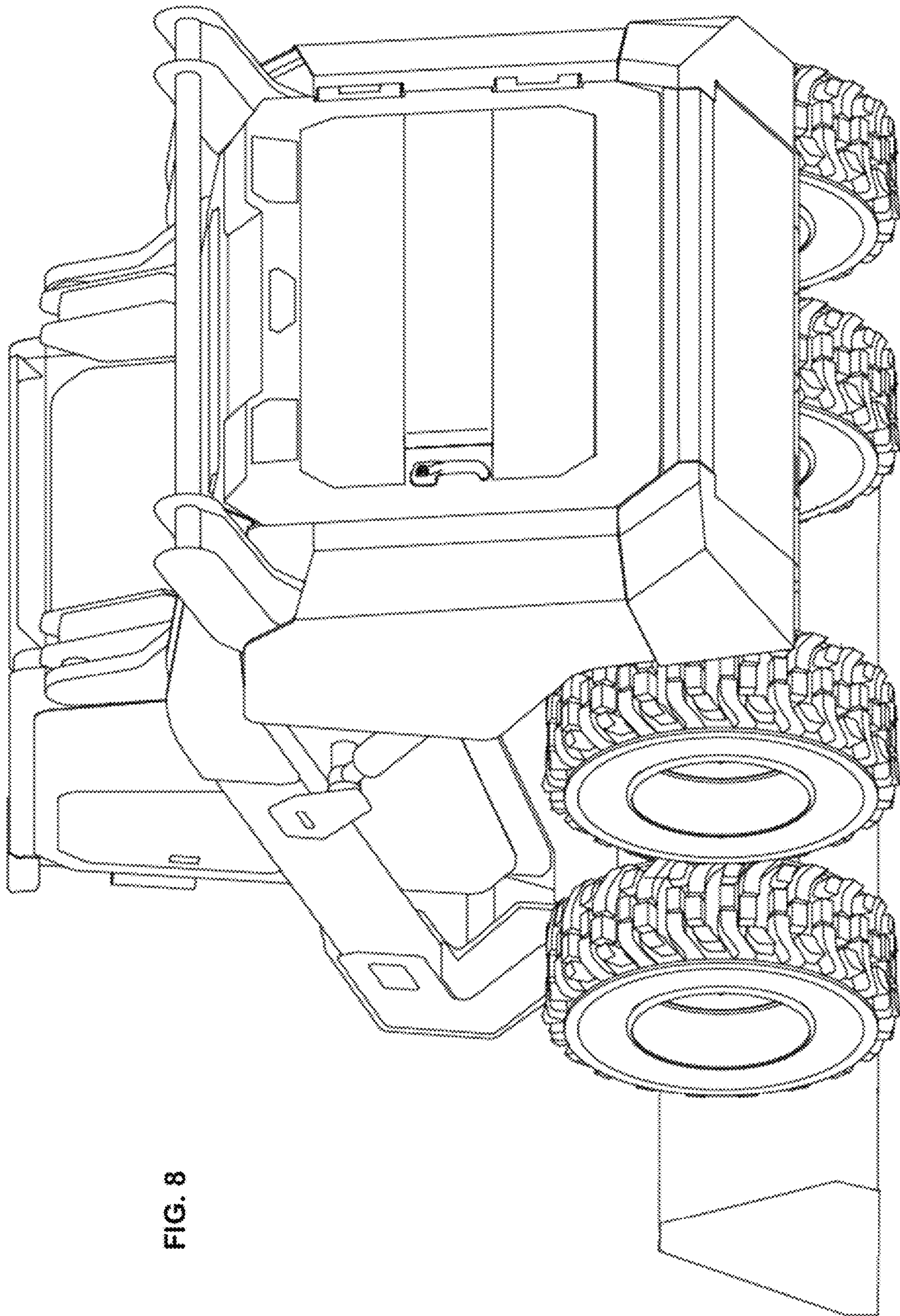


FIG. 8