



US00D947252S

(12) **United States Design Patent** (10) **Patent No.:** **US D947,252 S**
Francis (45) **Date of Patent:** **** Mar. 29, 2022**

(54) **COMPRESSOR**
(71) Applicant: **BLACK & DECKER INC.**, New Britain, CT (US)
(72) Inventor: **Matthew C. Francis**, Baltimore, MD (US)
(73) Assignee: **BLACK & DECKER INC.**, New Britain, CT (US)
(**) Term: **15 Years**
(21) Appl. No.: **29/652,104**
(22) Filed: **May 12, 2020**
(51) **LOC (13) Cl.** **15-02**
(52) **U.S. Cl.**
USPC **D15/9; D15/7**
(58) **Field of Classification Search**
USPC D13/103, 107; D15/7-9
CPC F04B 41/00; F04B 41/02; F04B 41/04; F04B 41/06; F04B 35/00; F04B 35/06; F04B 35/002; F04B 35/86; F04B 31/00; F04B 49/00; F04B 25/00; F04B 25/005; F04B 25/02; F04B 25/04; F04B 17/03; F04B 17/06; F04B 33/005; F04B 33/00; F04B 33/02

D680,555 S * 4/2013 Craig D15/7
D680,556 S * 4/2013 Craig D15/7
D710,902 S * 8/2014 Vintzel D15/9
D710,903 S * 8/2014 Vintzel D15/9
D806,753 S * 1/2018 Wood D15/7
D911,394 S * 2/2021 Vintzel D15/7
D916,141 S * 4/2021 Matteo D15/9
2018/0320677 A1* 11/2018 Thackery F04B 41/02

OTHER PUBLICATIONS

Craftsman, Craftsman Air Compressor, 20 Gallon, Model: CMXECXA02320, (first available on Sep. 19, 2019), Amazon.com, URL: <<https://www.amazon.com/Craftsman-Compressor-Oil-Free-Pressure-Lifecycle/dp/B07Y4DQ38B/>> (Year: 2019).*

* cited by examiner

Primary Examiner — Sheryl Lane
Assistant Examiner — Mark T. Philipps
(74) *Attorney, Agent, or Firm* — Adan Ayala

(57) **CLAIM**

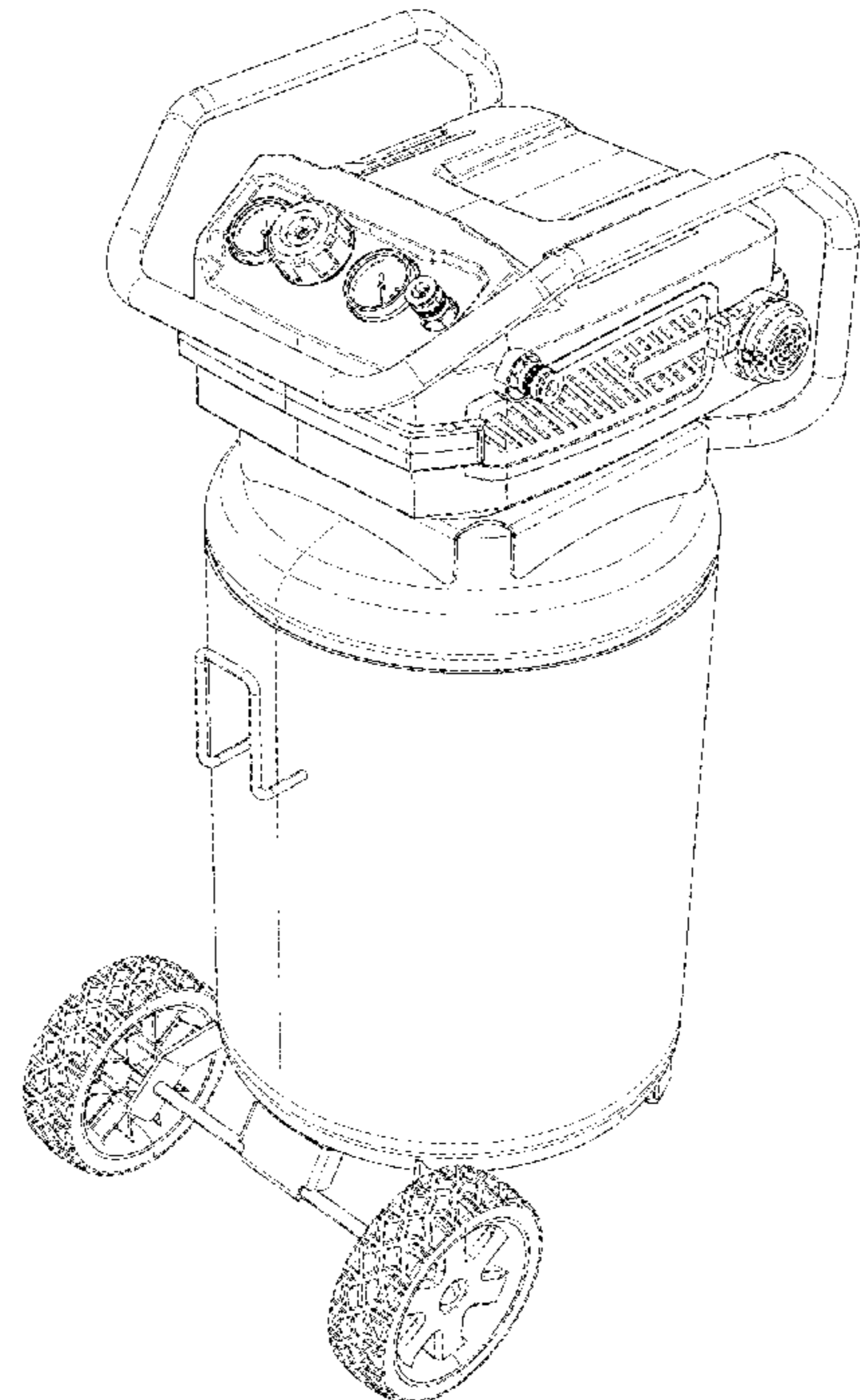
The ornamental design for a compressor, as shown and described.

DESCRIPTION

FIG. 1 is a front perspective view of a compressor according to the invention.
FIG. 2 is a front view of the compressor of FIG. 1.
FIG. 3 is a rear view of the compressor of FIG. 1.
FIG. 4 is a right side view of the compressor of FIG. 1.
FIG. 5 is a left side view of the compressor of FIG. 1.
FIG. 6 is a top plan view of the compressor of FIG. 1; and, FIG. 7 is a bottom plan view of the compressor of FIG. 1.
The broken lines illustrate portions of the compressor and form no part of the claimed design.

1 Claim, 7 Drawing Sheets

(56) **References Cited**
U.S. PATENT DOCUMENTS
7,025,573 B1 * 4/2006 Hardin F04B 35/06 417/234
D534,287 S * 12/2006 Krieger D26/38
D541,306 S * 4/2007 Welsh D15/9



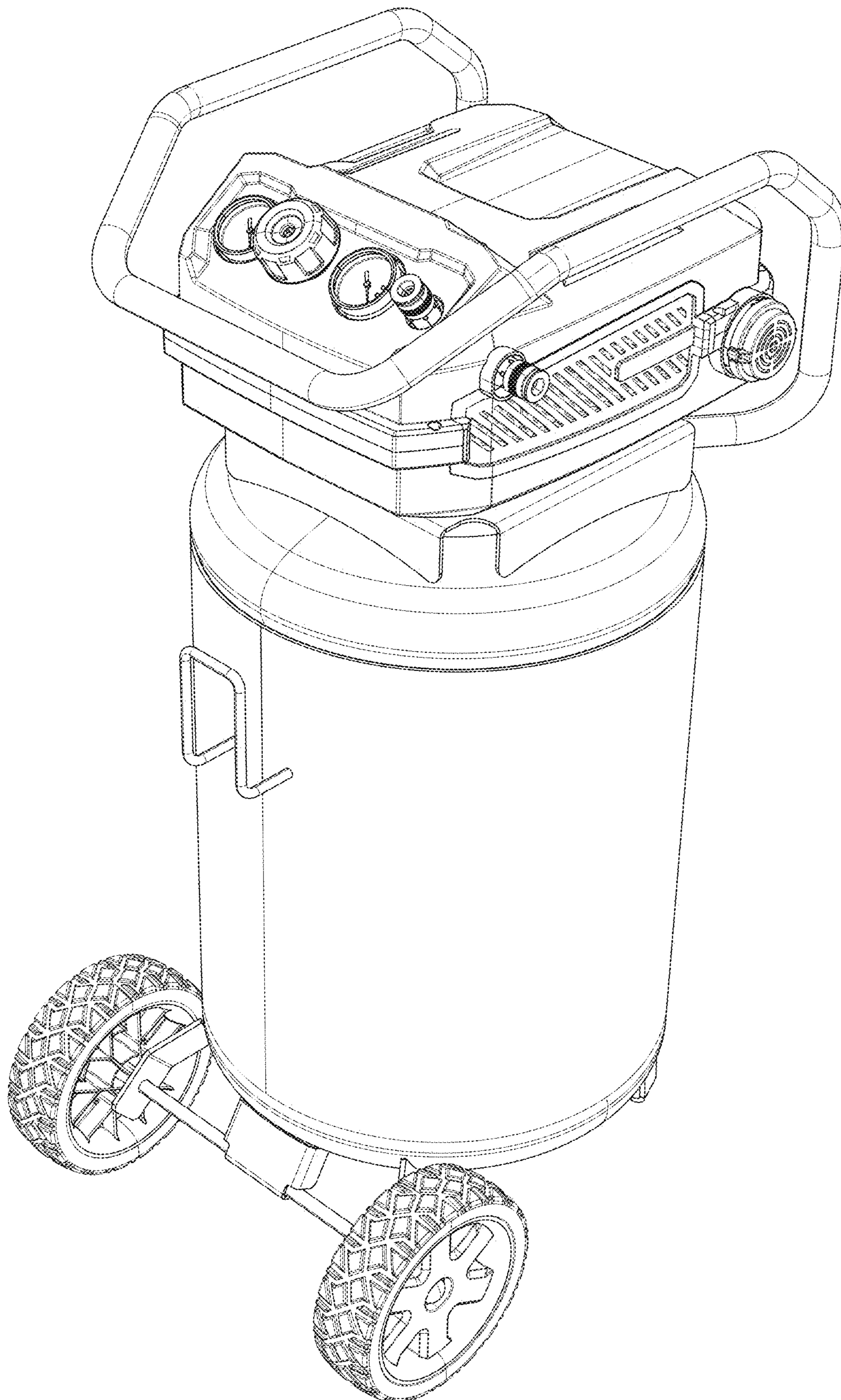


FIG. 1

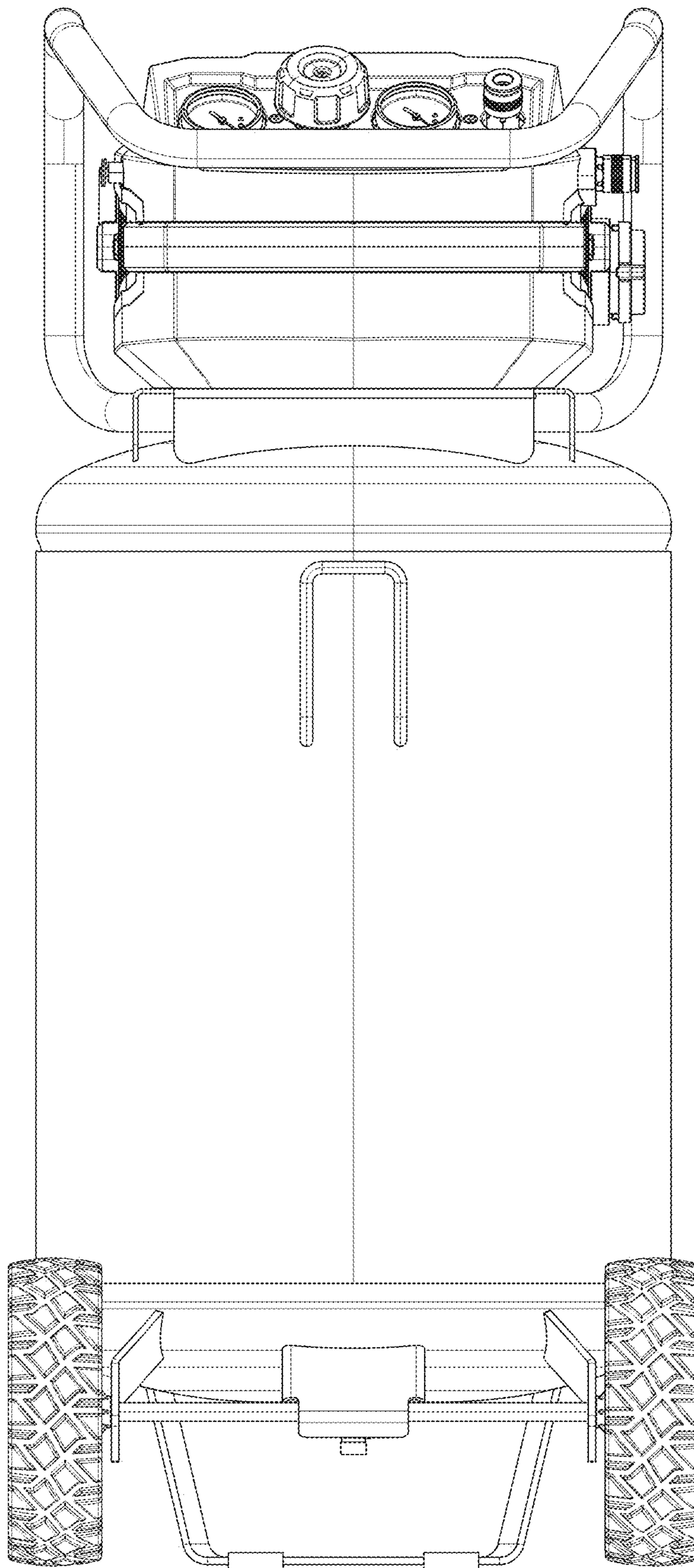


FIG. 2

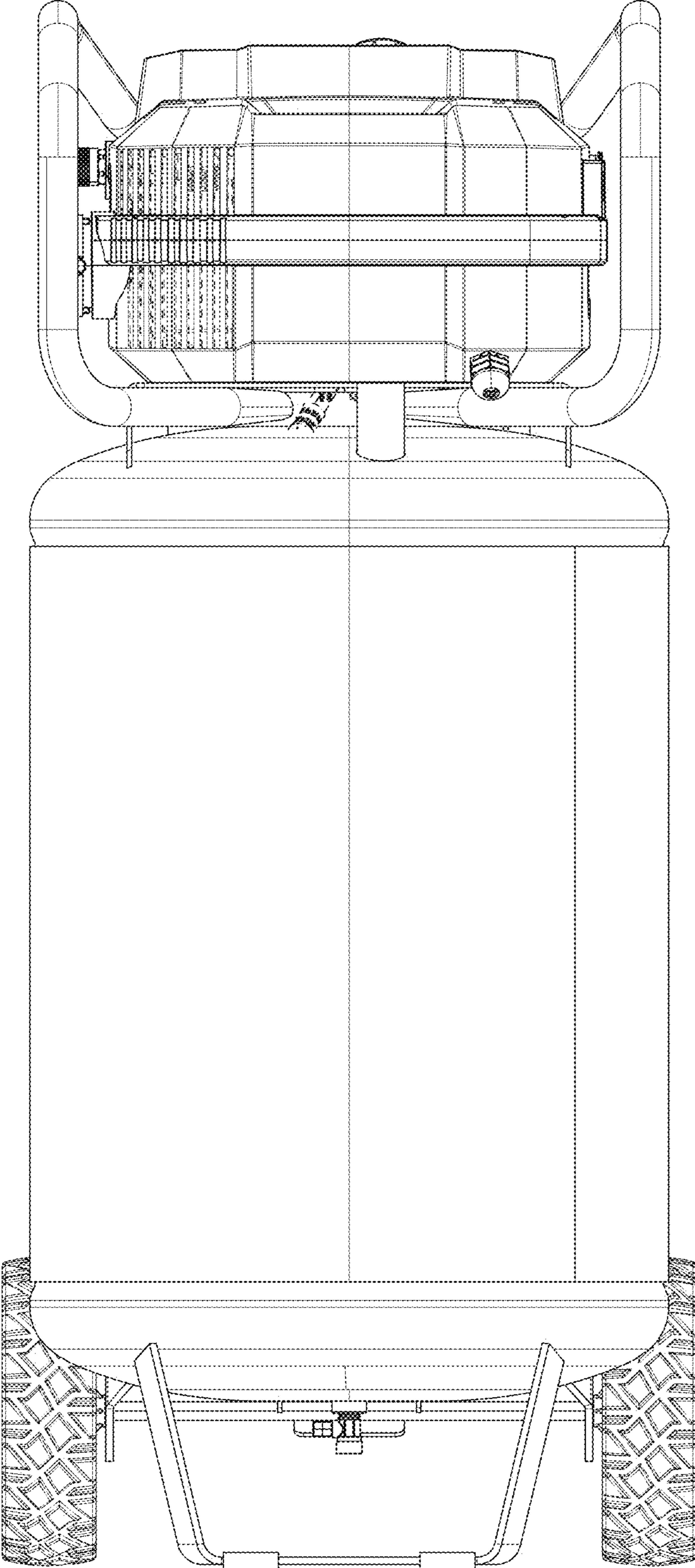


FIG. 3

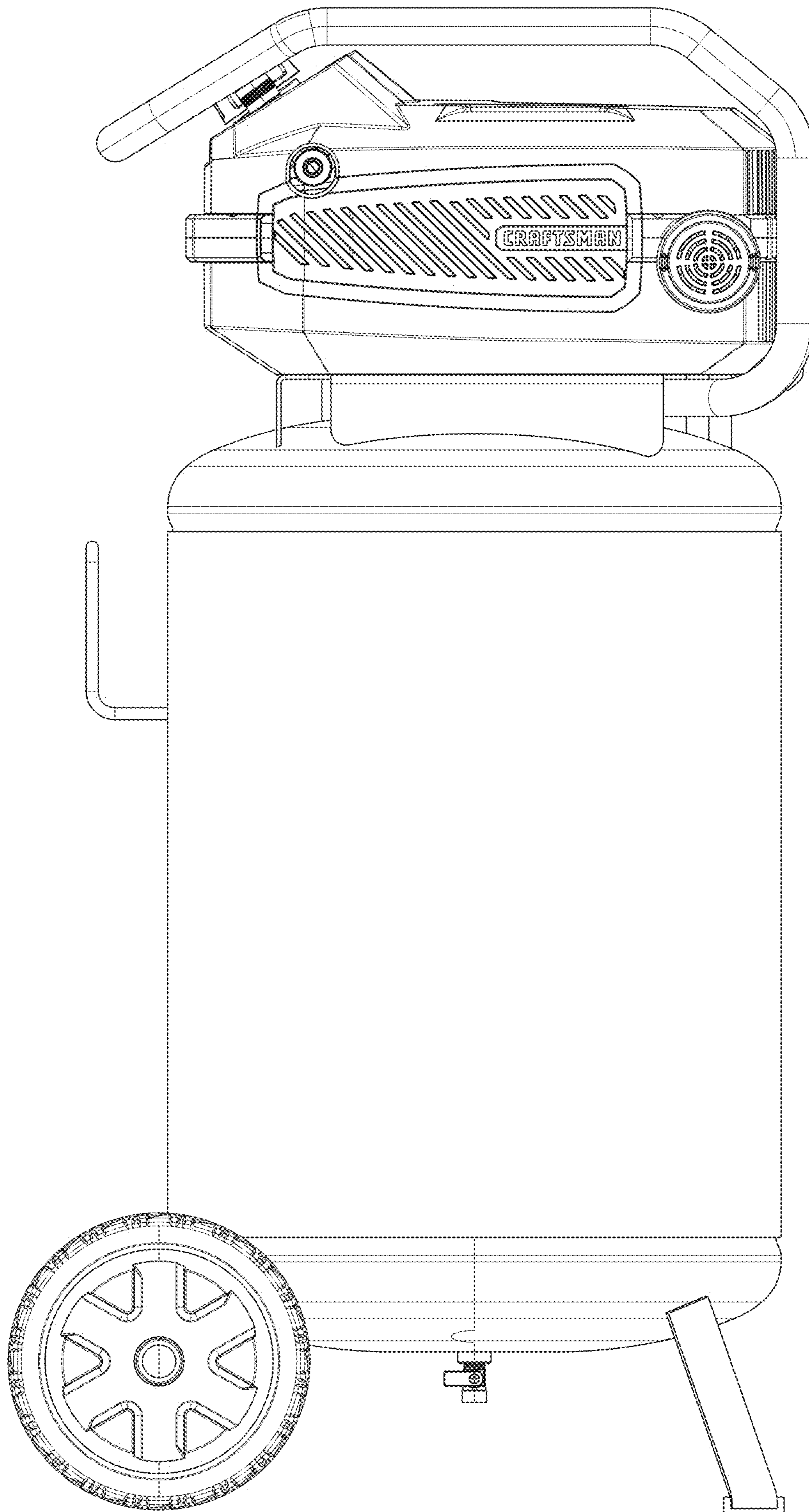


FIG. 4

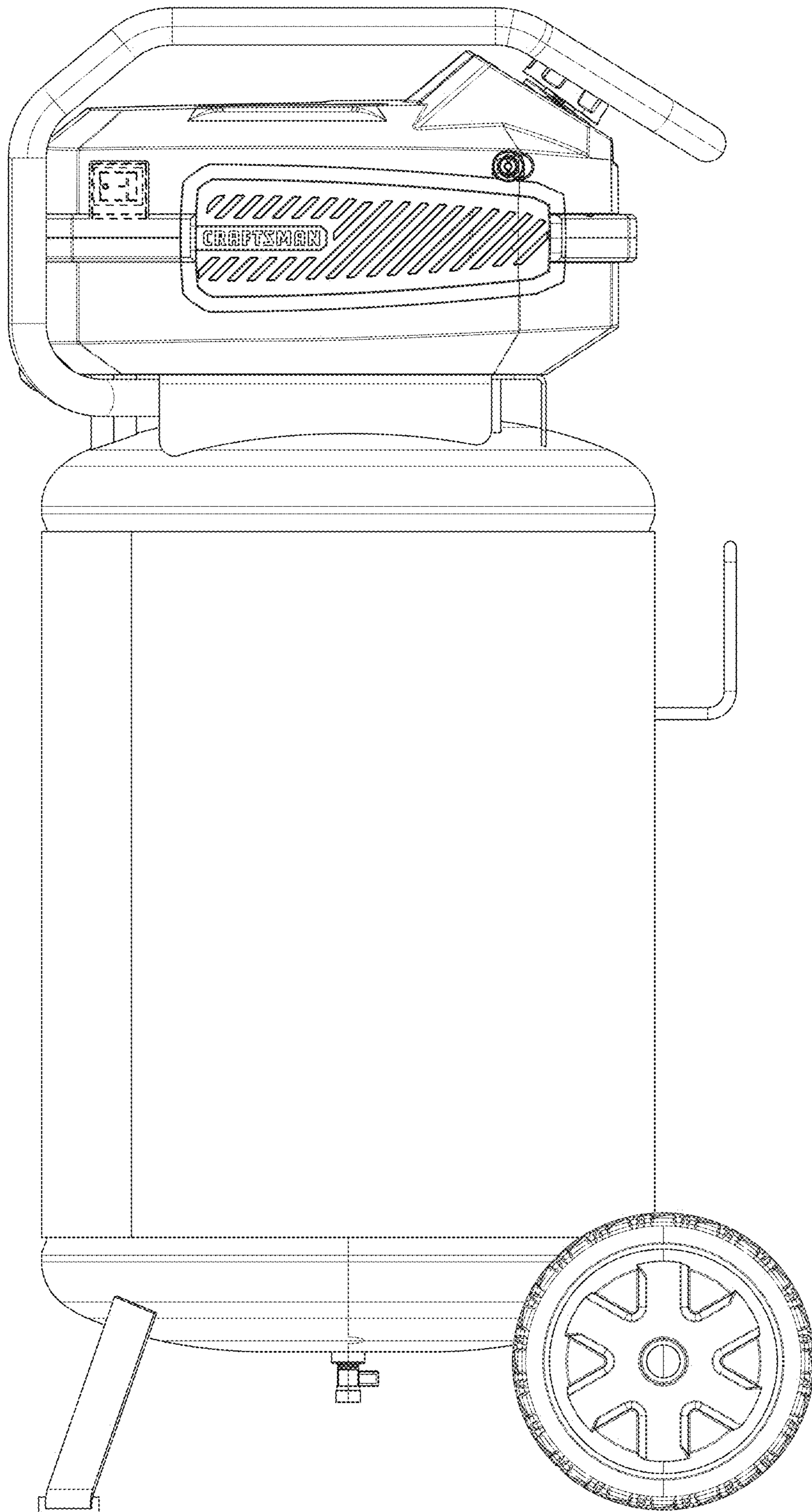


FIG. 5

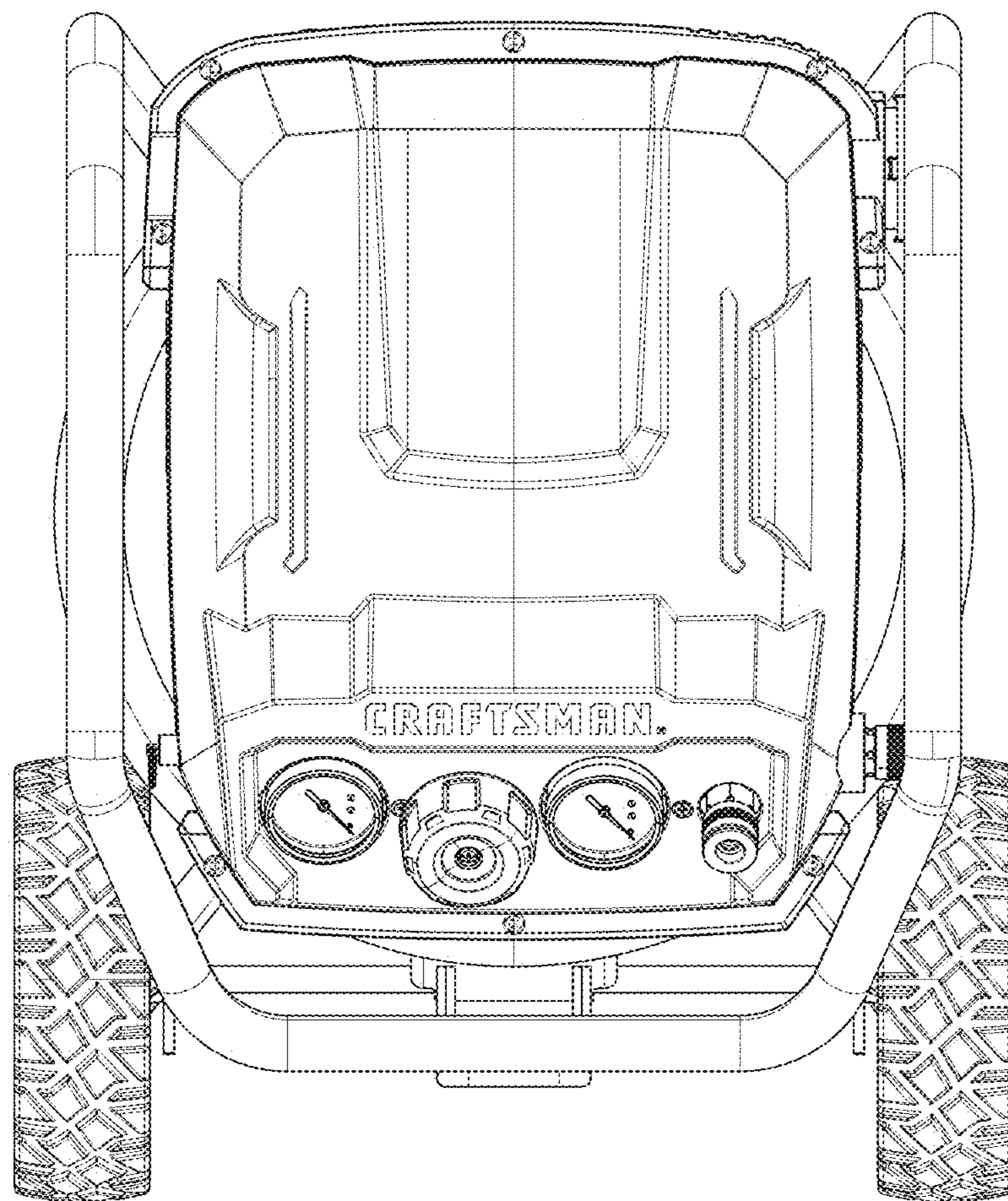


FIG. 6

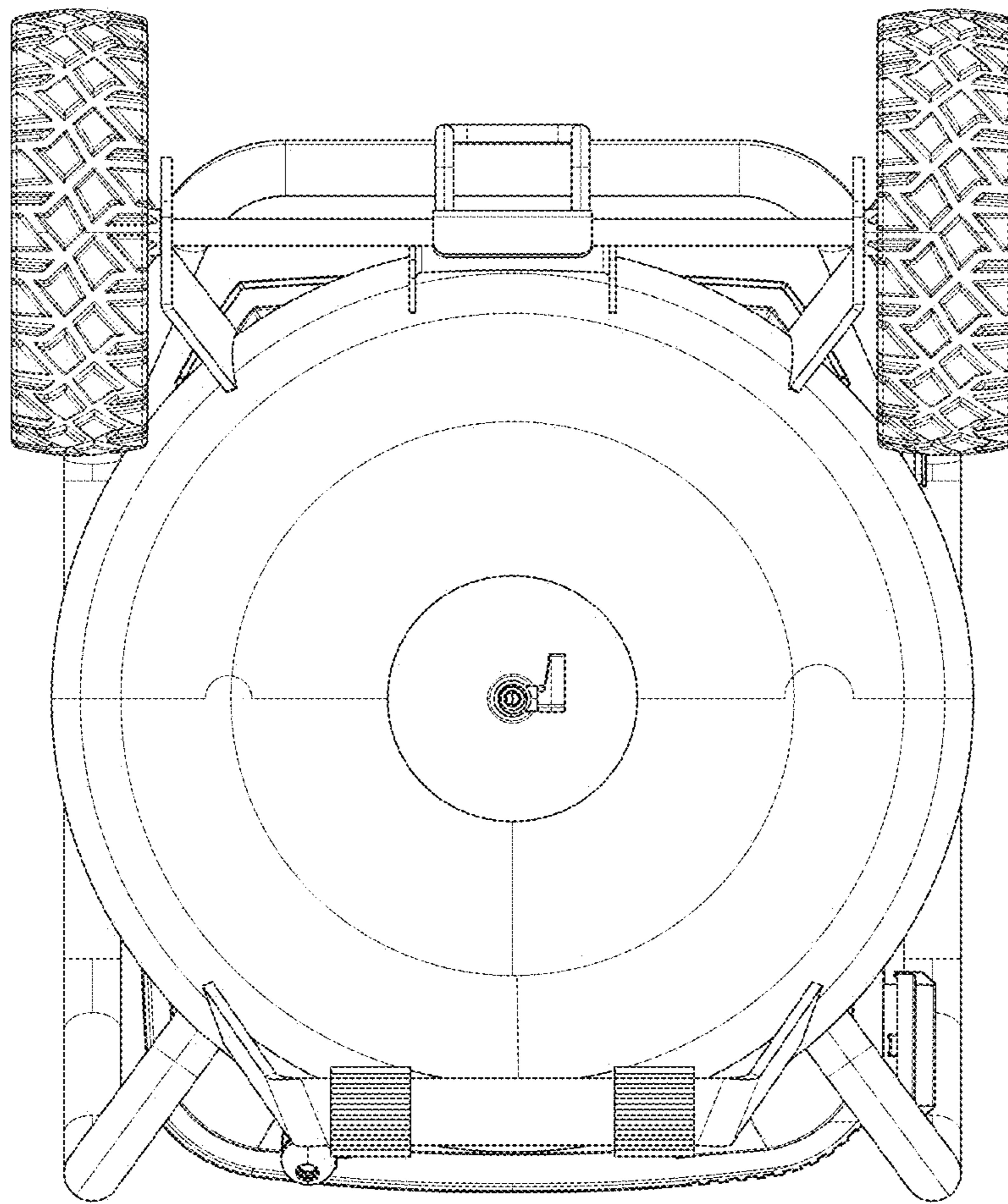


FIG. 7