



US00D947248S

(12) **United States Design Patent**
Gasman et al.

(10) **Patent No.:** **US D947,248 S**
(45) **Date of Patent:** **** Mar. 29, 2022**

(54) **VOLUTE CASING FOR A PUMP**

- (71) Applicant: **Sulzer Management AG**, Winterthur (CH)
- (72) Inventors: **Teemu Gasman**, Kotka (FI); **Matti Koivikko**, Kotka (FI); **Sami Virtanen**, Kotka (FI)
- (73) Assignee: **SULZER MANAGEMENT AG**, Winterthur (CH)
- (**) Term: **15 Years**
- (21) Appl. No.: **29/816,400**
- (22) Filed: **Nov. 22, 2021**

OTHER PUBLICATIONS

Sulzer, CPT chemical process pump, (site visited May 12, 2021), Sulzer.com website, URL:<<https://www.sulzer.com/en/shared/products/cpt-chemical-process-pump>> (Year: 2021).*

Primary Examiner — Calvin E Vansant

Assistant Examiner — Mark T. Philipps

(74) *Attorney, Agent, or Firm* — Global IP Counselors, LLP

(57) **CLAIM**

The ornamental design for a volute casing for a pump, as shown and described.

DESCRIPTION

FIG. 1 is a perspective view of a first embodiment of a volute casing for a pump in accordance with our new design; FIG. 2 is a first side elevational view of the volute casing illustrated in FIG. 1; FIG. 3 is a second side elevational view of the volute casing illustrated in FIG. 1; FIG. 4 is a first end elevational view of the volute casing illustrated in FIG. 1; FIG. 5 is a second end elevational view of the volute casing illustrated in FIG. 1; FIG. 6 is a bottom plan view of the volute casing illustrated in FIG. 1; FIG. 7 is a top plan view of the volute casing illustrated in FIG. 1; FIG. 8 is a perspective view of a second embodiment of a volute casing for a pump in accordance with our new design; FIG. 9 is a first side elevational view of the volute casing illustrated in FIG. 8; FIG. 10 is a second side elevational view of the volute casing illustrated in FIG. 8; FIG. 11 is a first end elevational view of the volute casing illustrated in FIG. 8; FIG. 12 is a second end elevational view of the volute casing illustrated in FIG. 8; FIG. 13 is a bottom plan view of the volute casing illustrated in FIG. 8; and, FIG. 14 is a top plan view of the volute casing illustrated in FIG. 8.

Related U.S. Application Data

- (62) Division of application No. 29/657,776, filed on Jul. 25, 2018, now Pat. No. Des. 939,584, which is a (Continued)

(30) **Foreign Application Priority Data**

Aug. 20, 2015 (EM) 002757914

(51) **LOC (13) Cl.** **15-02**

(52) **U.S. Cl.**
USPC **D15/7**

(58) **Field of Classification Search**
USPC D15/7-9; D23/231, 232, 225
(Continued)

(56) **References Cited**

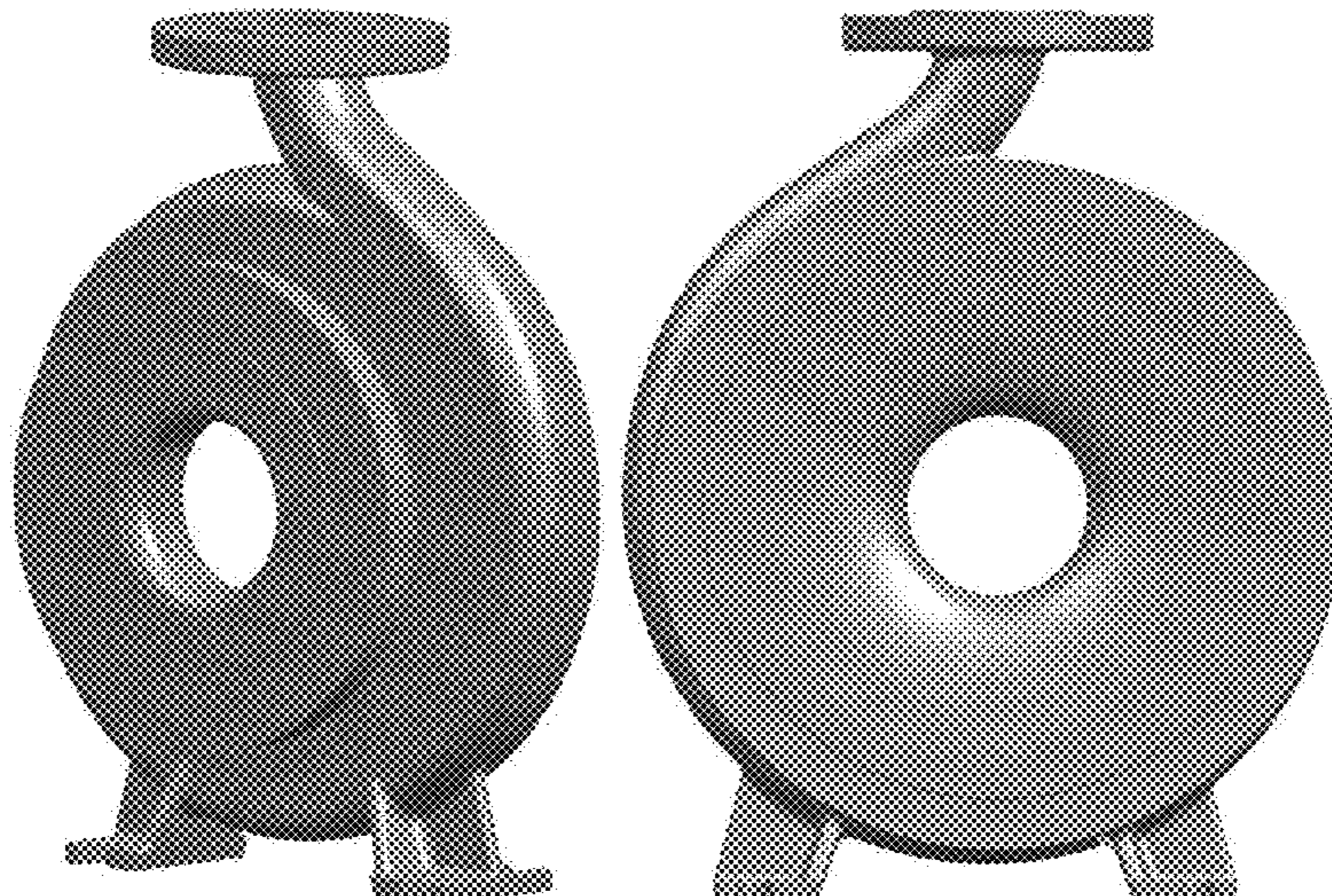
U.S. PATENT DOCUMENTS

- 1,337,916 A * 4/1920 Julinsen F04D 7/02
415/174.2
- D202,145 S * 8/1965 Schroeder D15/7
(Continued)

FOREIGN PATENT DOCUMENTS

- DE 2602624 A1 7/1976
- DE 202009018129 U1 4/2011
(Continued)

1 Claim, 14 Drawing Sheets



Related U.S. Application Data

division of application No. 29/551,960, filed on Jan. 19, 2016, now Pat. No. Des. 829,770.

(58) **Field of Classification Search**

CPC F02M 37/04; F02M 37/14; F04D 29/46; F04D 29/4286; F04D 1/00; F04D 1/04; F04D 3/02; F04D 13/0646; F04D 17/18; F04D 29/322; F04D 29/628; F04B 47/00; F04B 25/00-04; F04B 441/06; F04B 414/03

See application file for complete search history.

(56) **References Cited**

U.S. PATENT DOCUMENTS

D229,236 S * 11/1973 Doolin D15/7
 D263,839 S 4/1982 Somme
 D285,447 S 9/1986 Dudeck
 D294,266 S 2/1988 Dudeck
 4,900,222 A 2/1990 Meng et al.
 D381,339 S * 7/1997 Wightley D15/7
 6,152,719 A 11/2000 Nelik
 D608,677 S 1/2010 Glaves
 D609,248 S 2/2010 Wightley
 D609,250 S 2/2010 Foreman
 D610,165 S 2/2010 Glaves
 D616,902 S 6/2010 Foreman

8,790,077 B2 7/2014 Burgess
 9,022,723 B2 * 5/2015 Leininger F04D 29/22
 415/62
 9,057,385 B2 * 6/2015 Burgess F04D 1/00
 D740,327 S 10/2015 Naruoka
 D742,420 S 11/2015 Sullivan
 D767,637 S 9/2016 Pappathopoulos
 D780,226 S 2/2017 Nelson
 D791,840 S 7/2017 Gebert
 D807,924 S 1/2018 Wilkie
 D829,770 S * 10/2018 Gasman D15/7
 D834,068 S * 11/2018 Lee D15/7
 D836,676 S * 12/2018 Geldenhuys D15/7
 D837,833 S * 1/2019 Geldenhuys D15/7
 D884,033 S * 5/2020 Sinico D15/7
 D902,961 S * 11/2020 Park D15/9
 D939,584 S * 12/2021 Gasman D15/7
 2007/0014662 A1 1/2007 Burgess
 2009/0068002 A1 3/2009 Burgess
 2014/0271162 A1 9/2014 Karl et al.

FOREIGN PATENT DOCUMENTS

DE 102009010927 A1 9/2019
 EP 1855013 A2 4/2007
 GB 2266750 A 11/1993
 JP 57124098 A 8/1982
 JP 05332300 A 12/1993

* cited by examiner

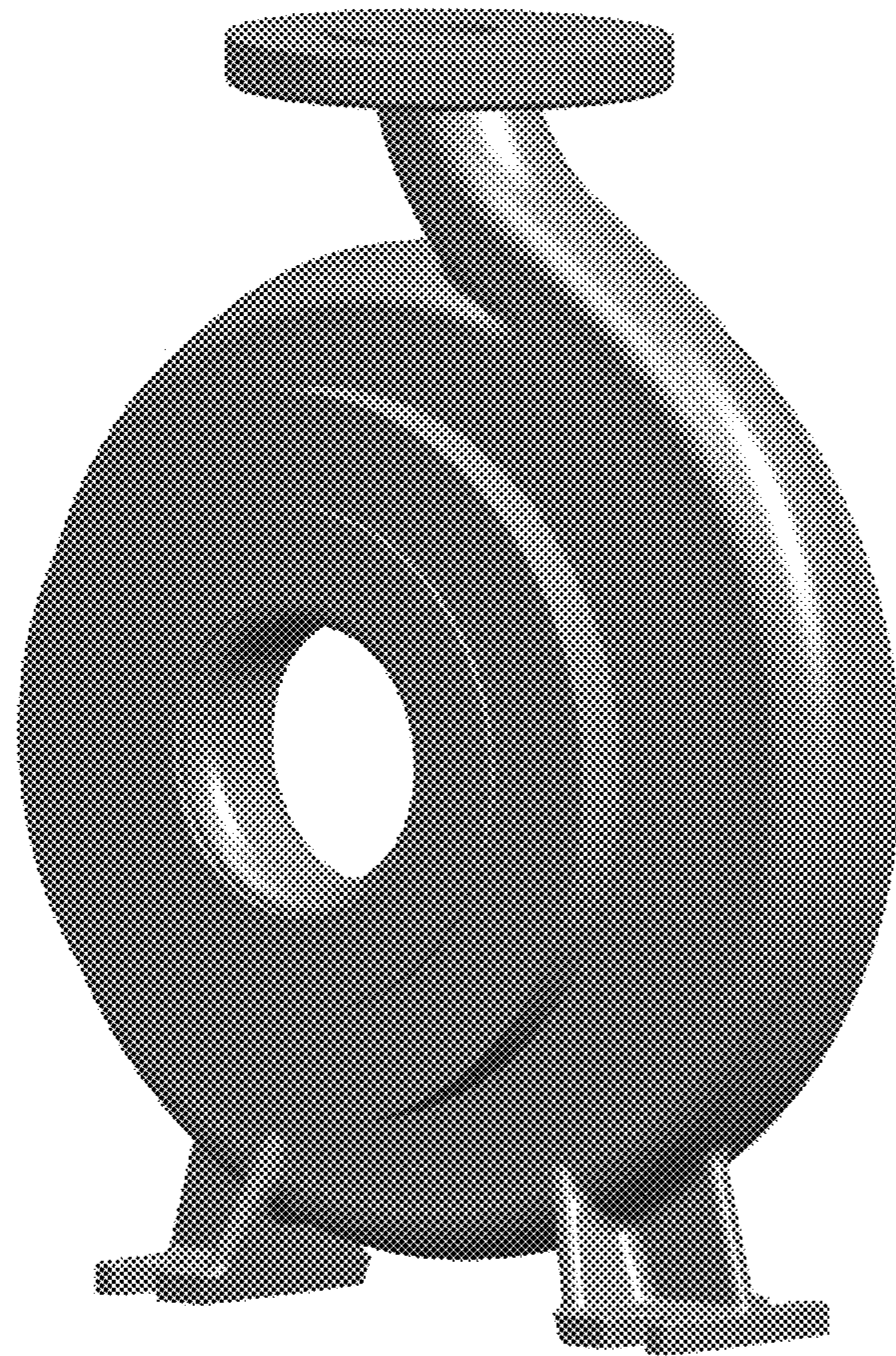


FIG. 1

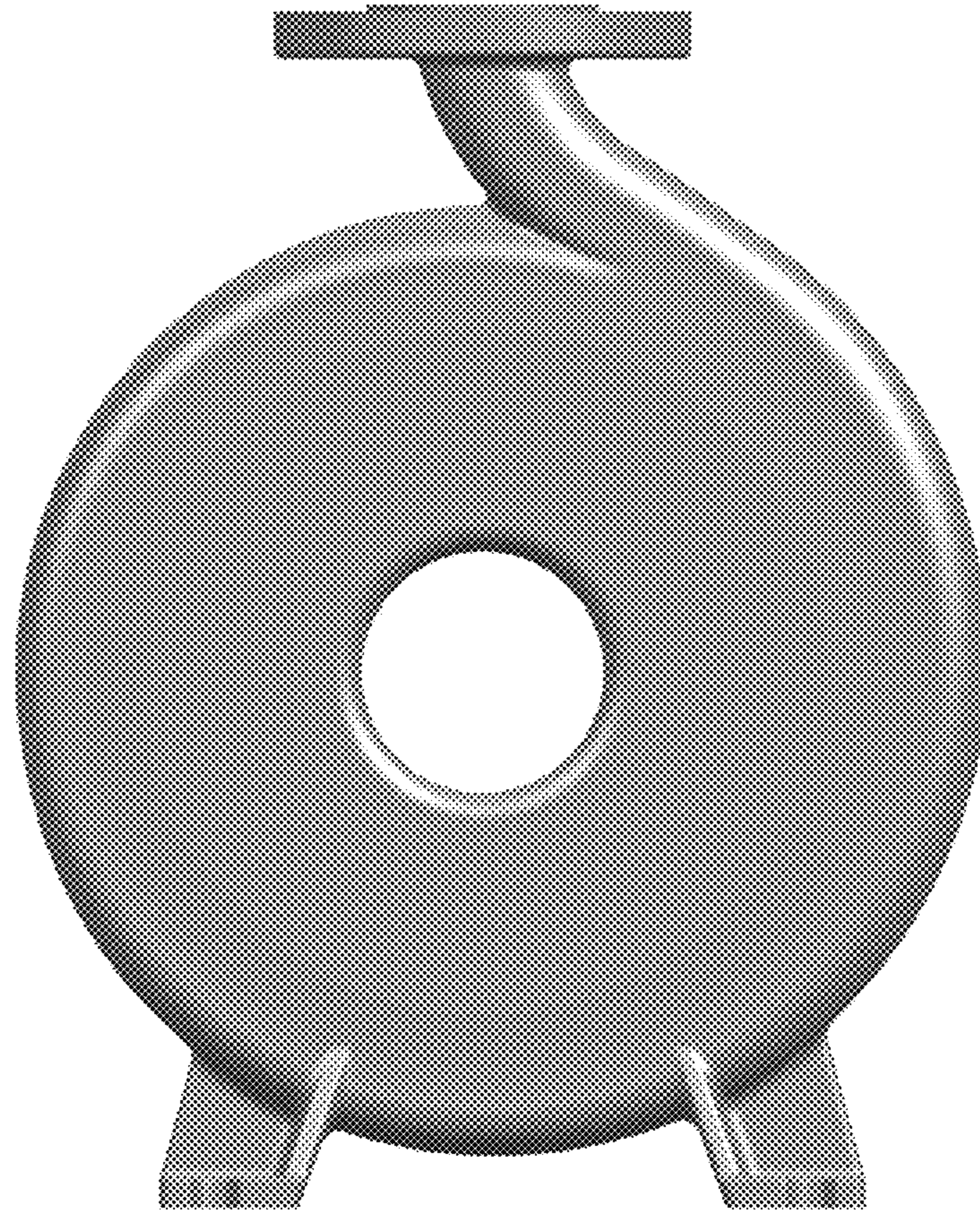


FIG. 2

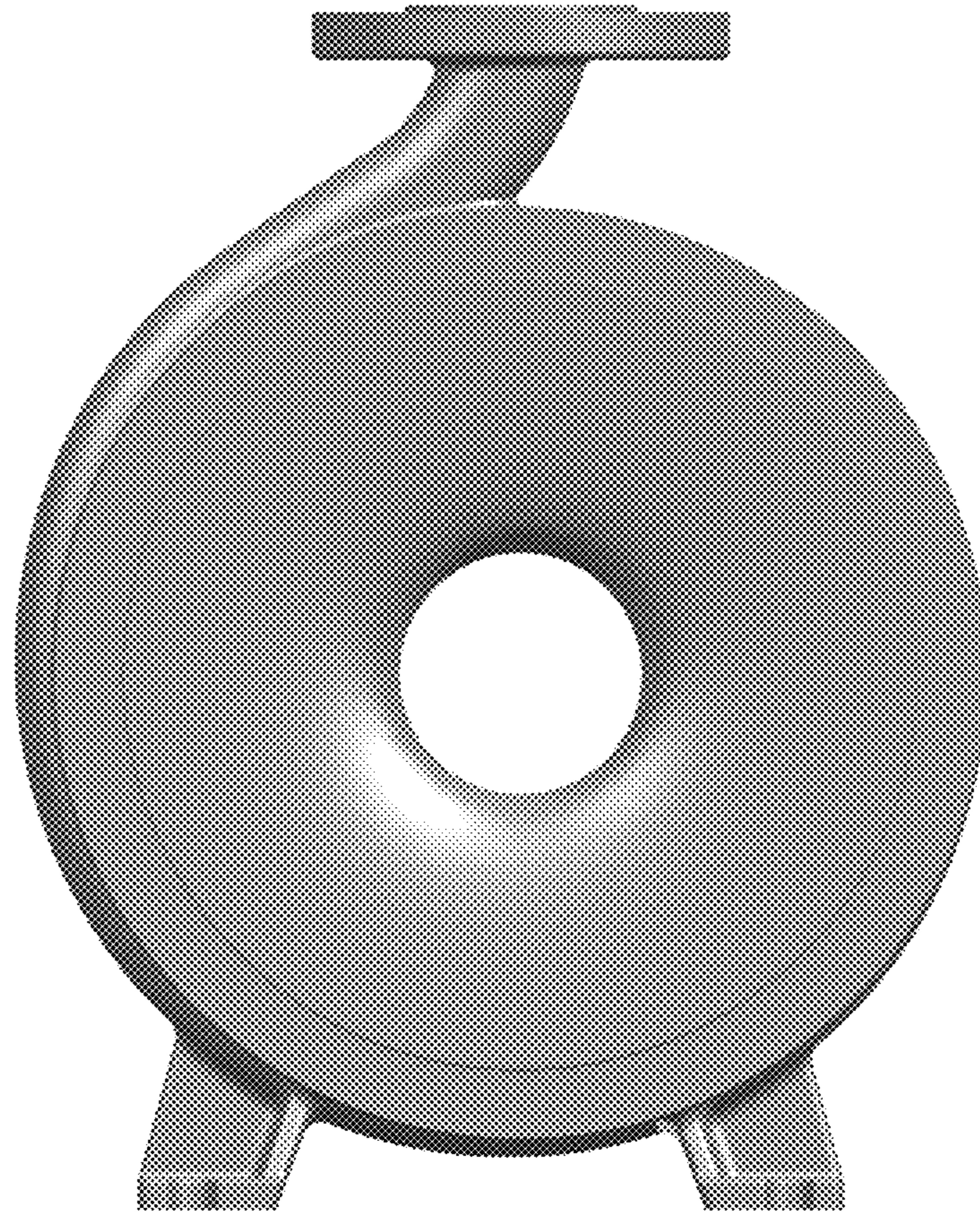


FIG. 3

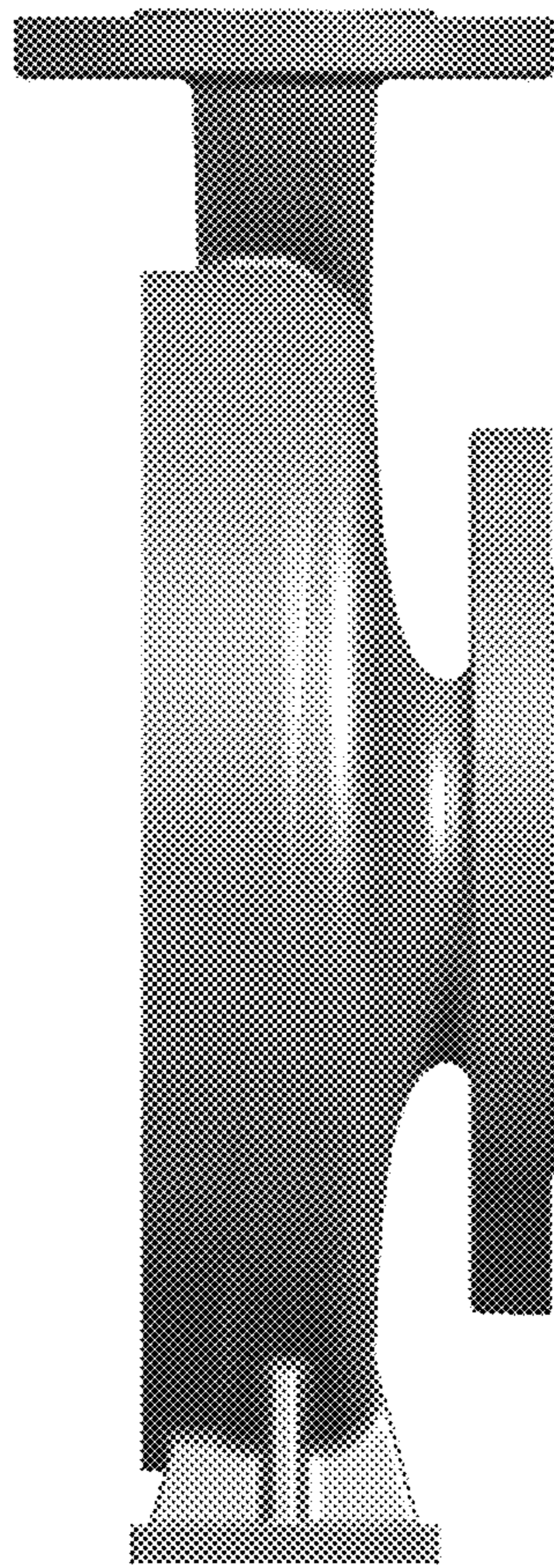


FIG. 4

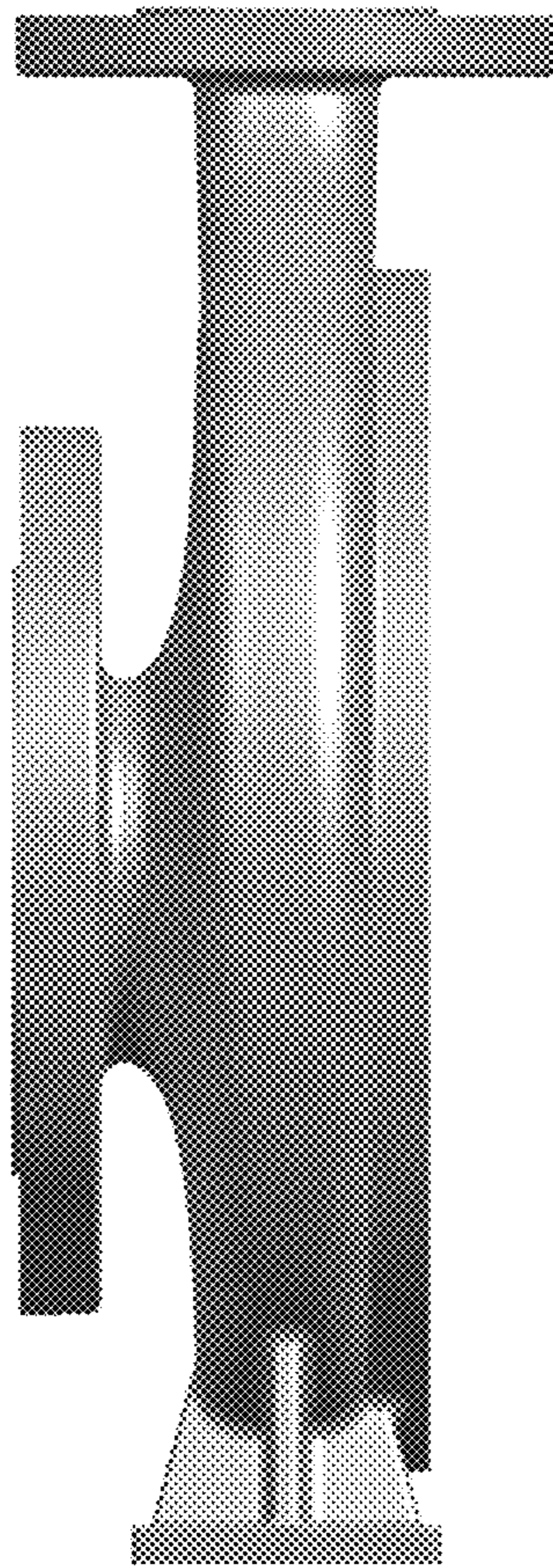


FIG. 5

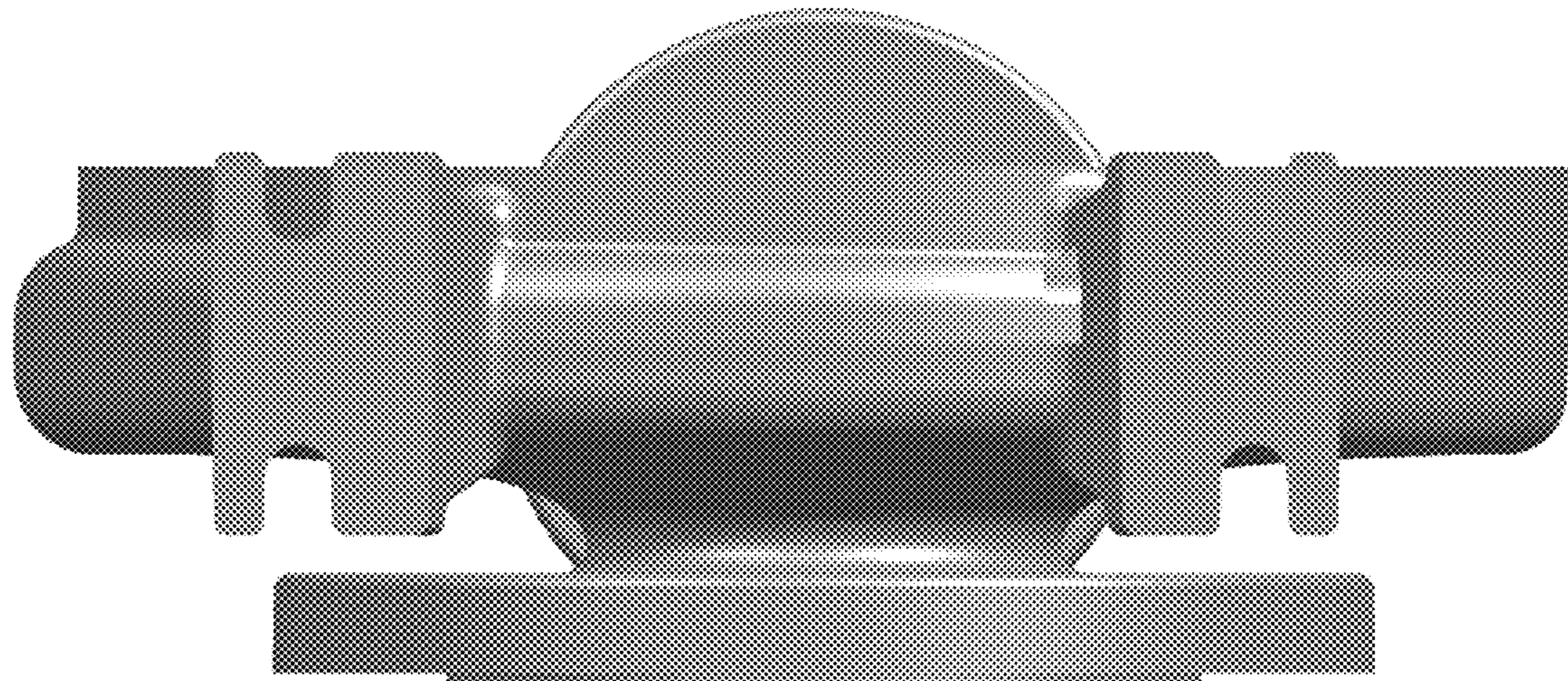


FIG. 6

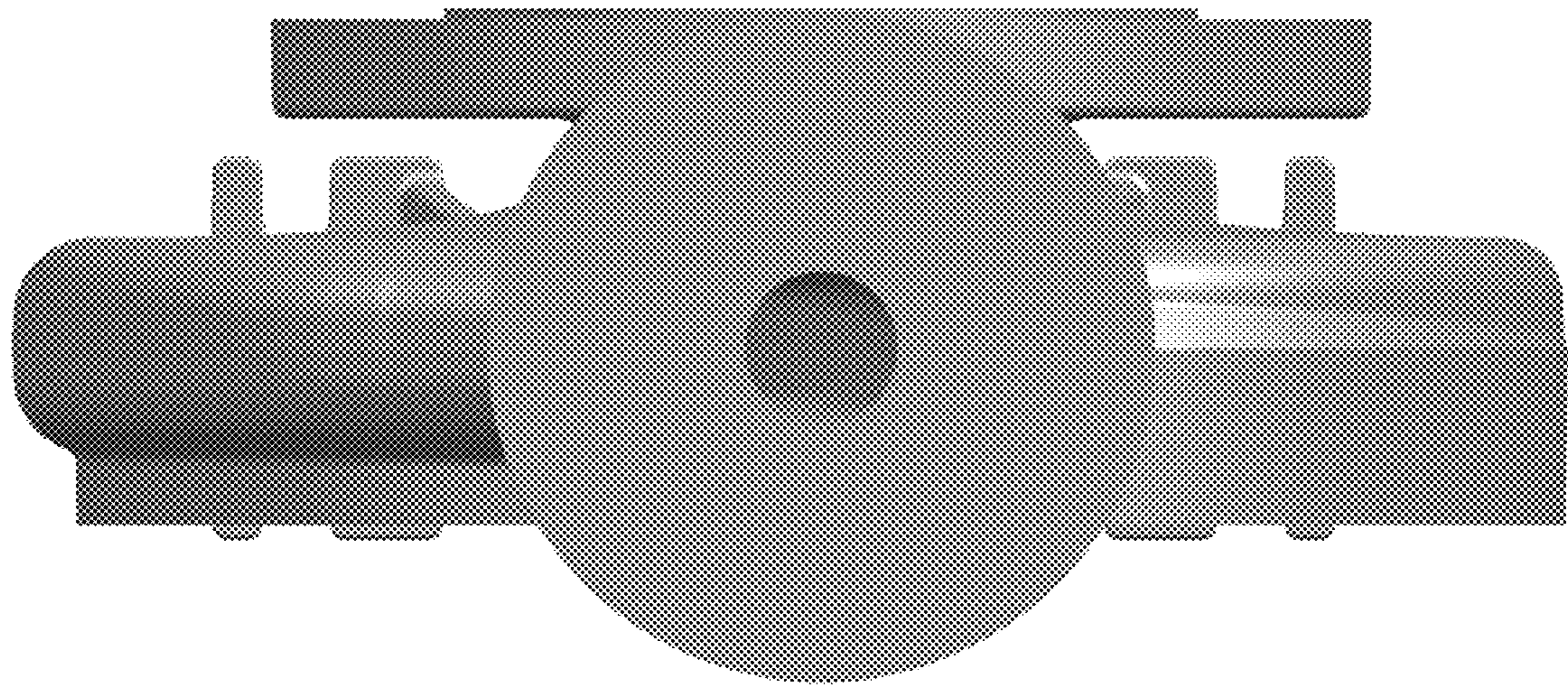


FIG. 7

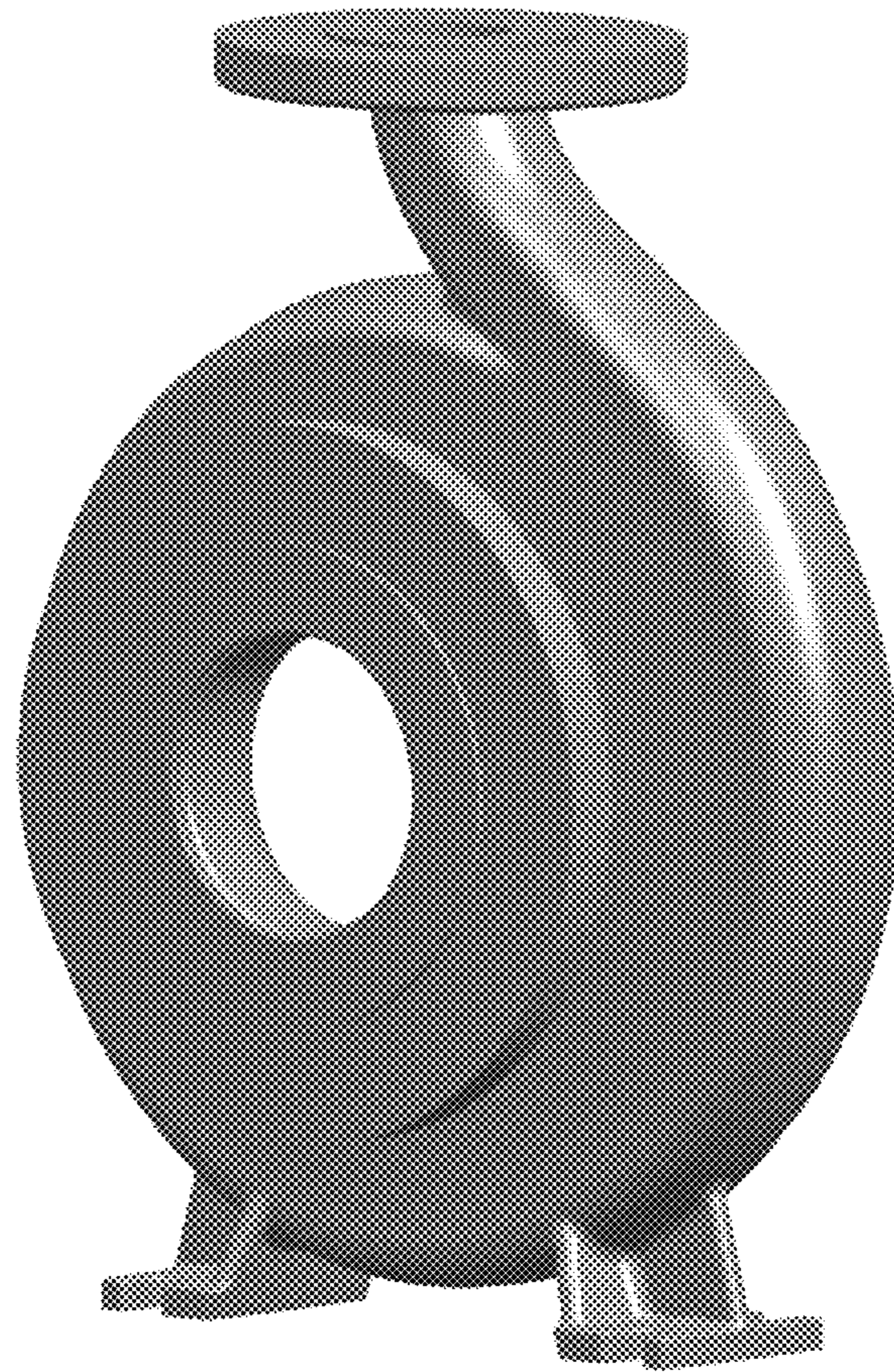


FIG. 8

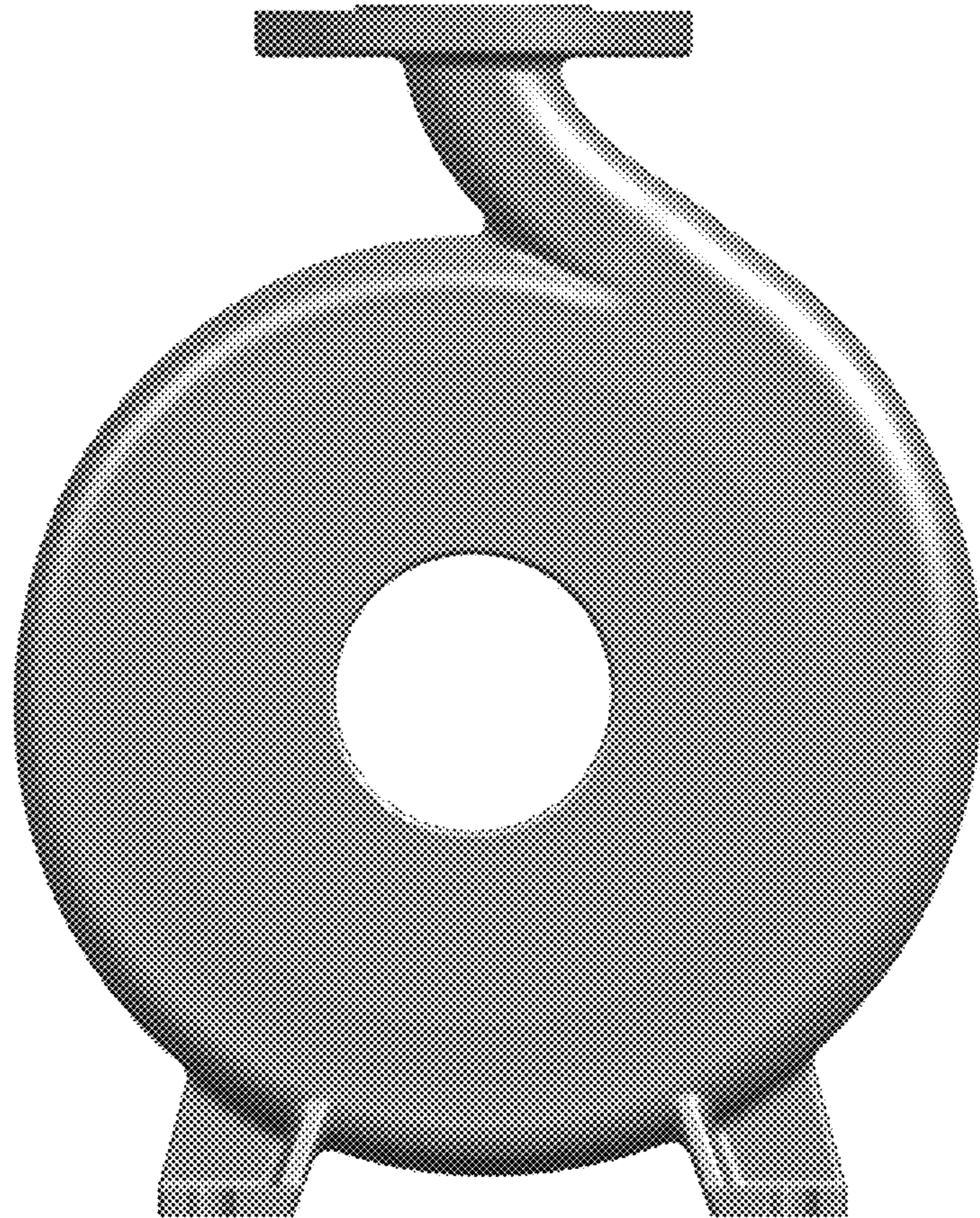


FIG. 9

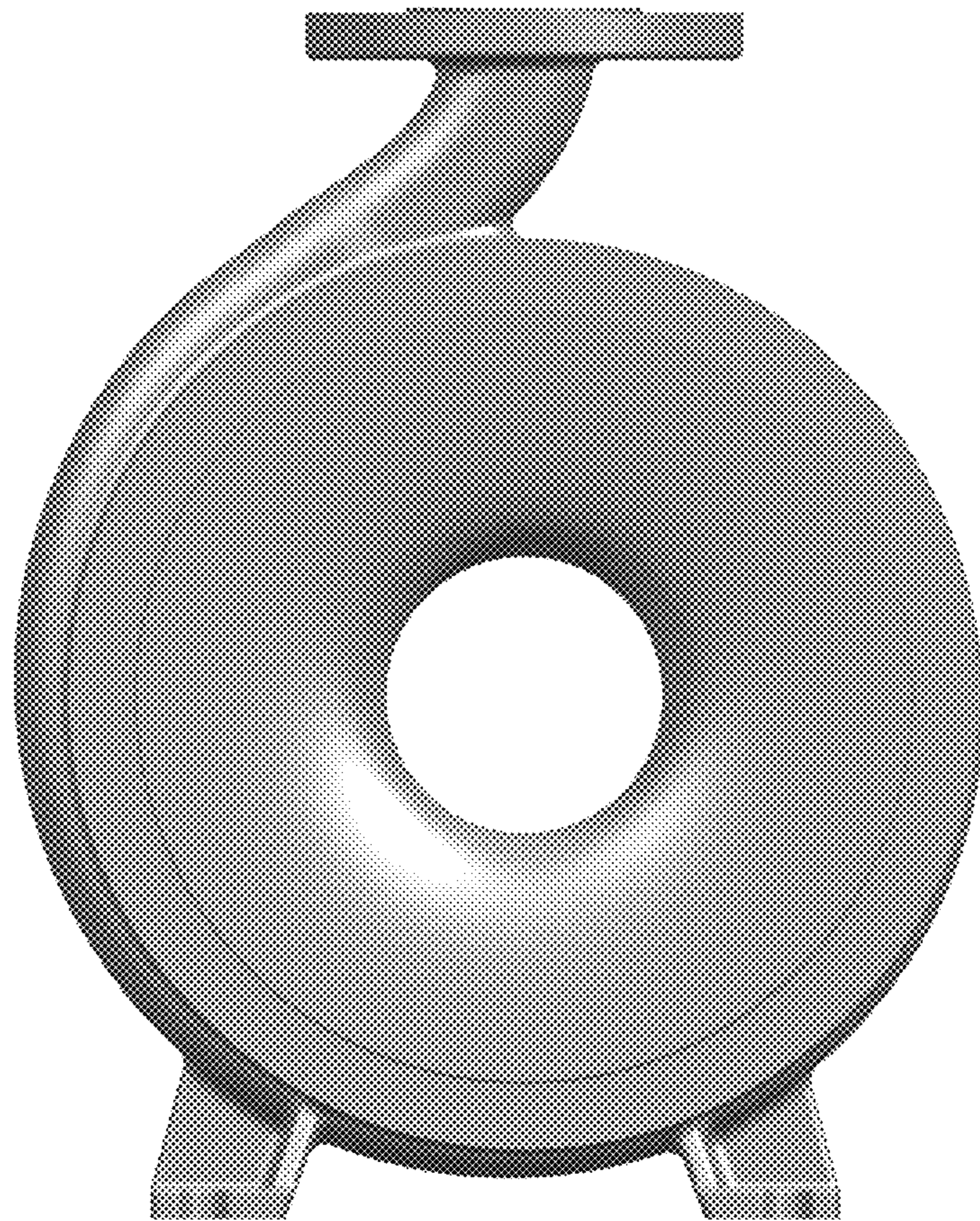


FIG. 10

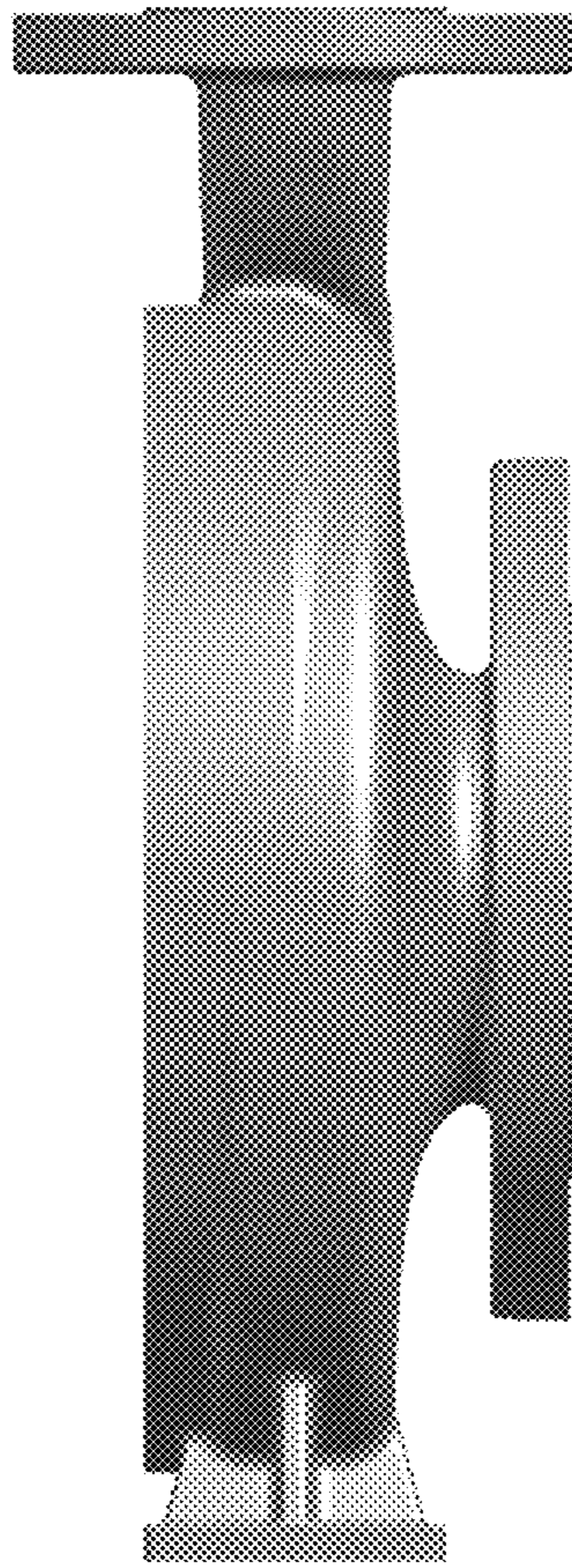


FIG. 11

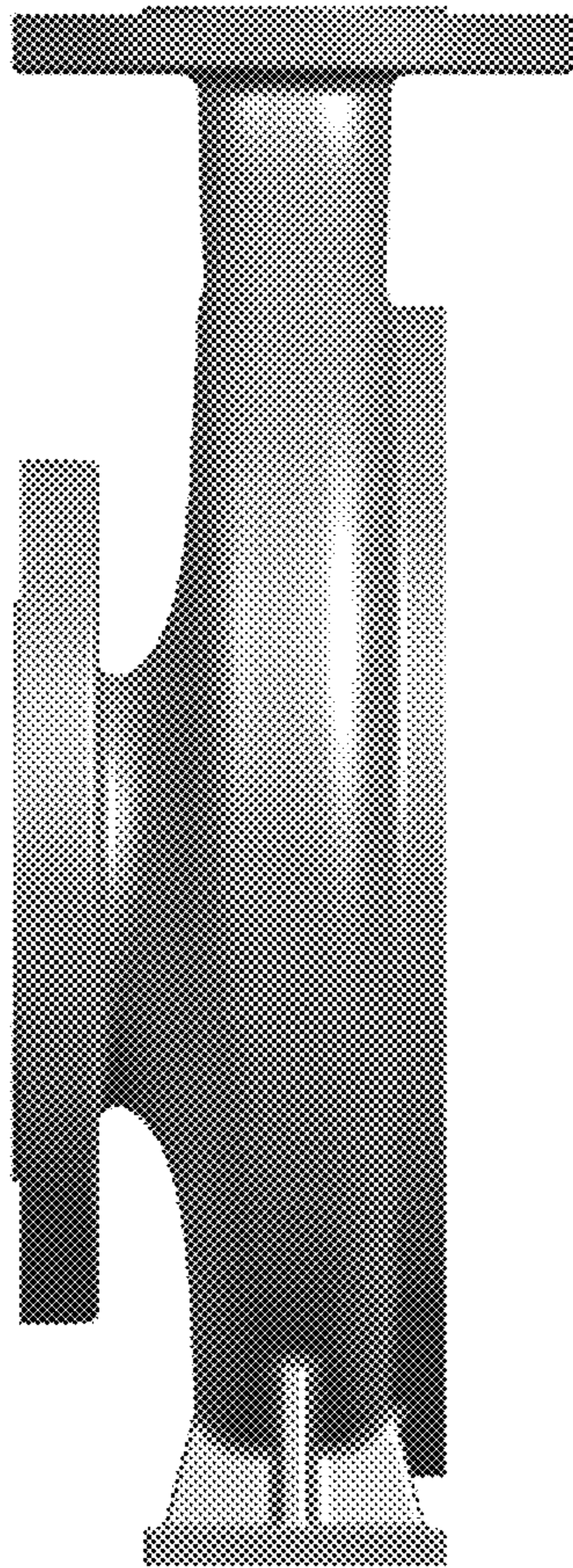


FIG. 12

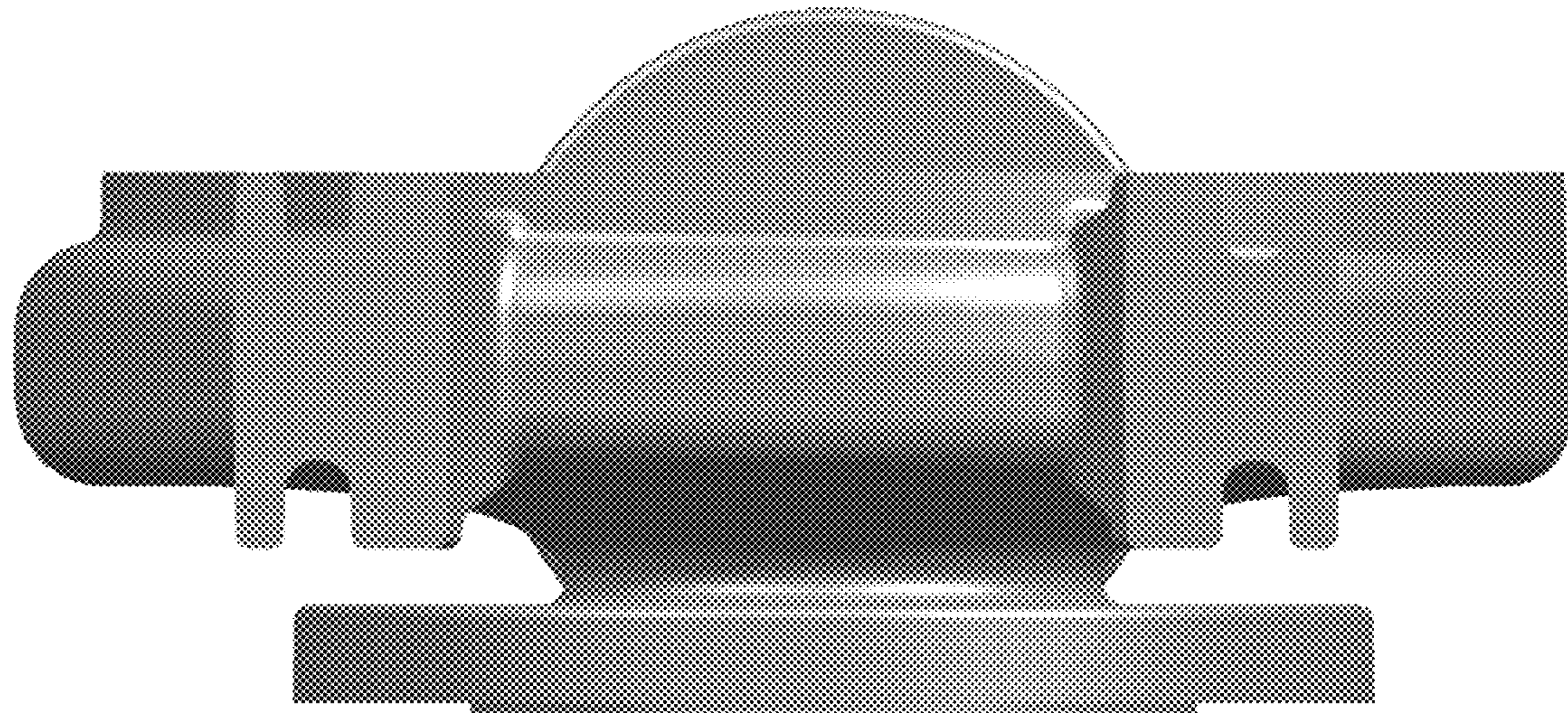


FIG. 13

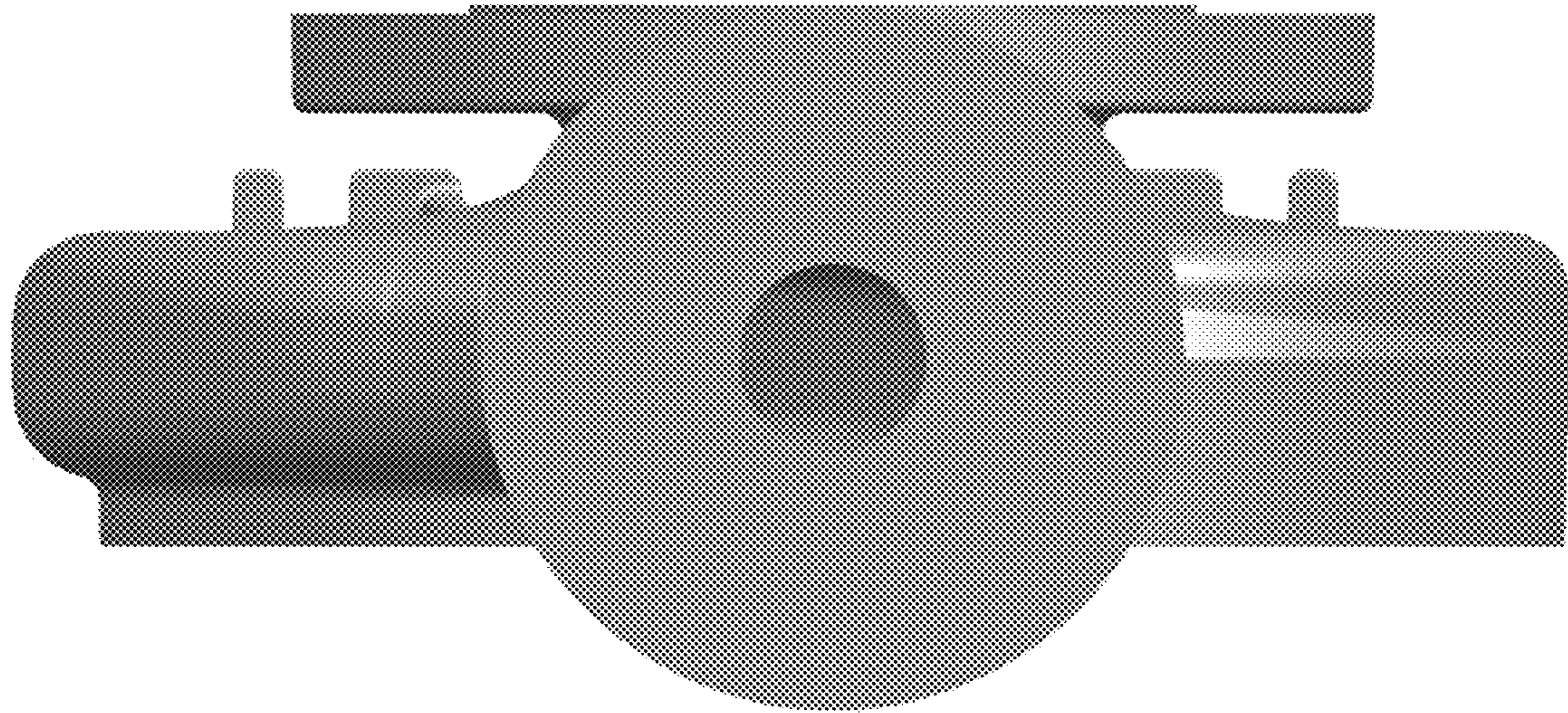


FIG. 14