



US00D947247S

(12) **United States Design Patent** (10) **Patent No.:** **US D947,247 S**
Liao (45) **Date of Patent:** **** Mar. 29, 2022**

(54) **PUMPING DEVICE** 8,418,522 B1 * 4/2013 Liao B21D 1/06
72/457
(71) Applicant: **LIH YANN INDUSTRIAL CO., LTD.,** D755,925 S * 5/2016 Park D23/213
Taichung (TW) D809,097 S * 1/2018 Bates D23/225
D823,901 S * 7/2018 Scampoli D15/7
(72) Inventor: **Po-Lin Liao,** Taichung (TW) D872,375 S * 1/2020 Fergusson D29/126
D884,032 S * 5/2020 Huang D15/7
(73) Assignee: **Lih Yann Industrial Co., Ltd.,** D886,871 S * 6/2020 Wang D15/7
Taichung (TW) D886,943 S * 6/2020 Slamans D23/213
(Continued)

(**) Term: **15 Years**

(21) Appl. No.: **29/736,856**

(22) Filed: **Jun. 3, 2020**

(51) **LOC (13) Cl.** **15-02**

(52) **U.S. Cl.**
USPC **D15/7**

(58) **Field of Classification Search**
USPC D23/206, 213, 214, 223, 224, 225, 226;
D29/125, 126, 130; D15/7-9
CPC F04D 13/06; F04D 29/041; F04D 29/22;
F04D 29/60; F04D 29/605; F04B 17/03;
F04B 17/046; F04B 17/048; F04B 35/04;
F04B 43/04; F04B 43/043
See application file for complete search history.

(56) **References Cited**

U.S. PATENT DOCUMENTS

D425,603 S * 5/2000 Guo D23/213
D425,914 S * 5/2000 Tsai D15/7
D433,095 S * 10/2000 Beaver D23/213
D466,908 S * 12/2002 Poon D15/7
D474,256 S * 5/2003 Hubmann D23/213
D503,456 S * 3/2005 Chen D23/223
D507,799 S * 7/2005 Chen D15/7
D508,922 S * 8/2005 Li D15/9
D513,306 S * 12/2005 Chen D23/226
7,007,868 B1 * 3/2006 Chen B05B 1/3013
239/525
D538,300 S * 3/2007 Moser D15/9
D611,867 S * 3/2010 Peterson D15/7

OTHER PUBLICATIONS

Holt Industries, Pneumatic Air Operated Brake Bleeder With Auto Refill Kit, (site visited Dec. 1, 2021), Harbor Freight Website, URL:<<https://www.harborfreight.com/pneumatic-air-operated-brake-bleeder-with-auto-refill-kit-57057.html>> (Year: 2021).*

(Continued)

Primary Examiner — Calvin E Vansant
Assistant Examiner — Mark T. Philipps
(74) *Attorney, Agent, or Firm* — Muncy, Geissler, Olds & Lowe, P.C.

(57) **CLAIM**

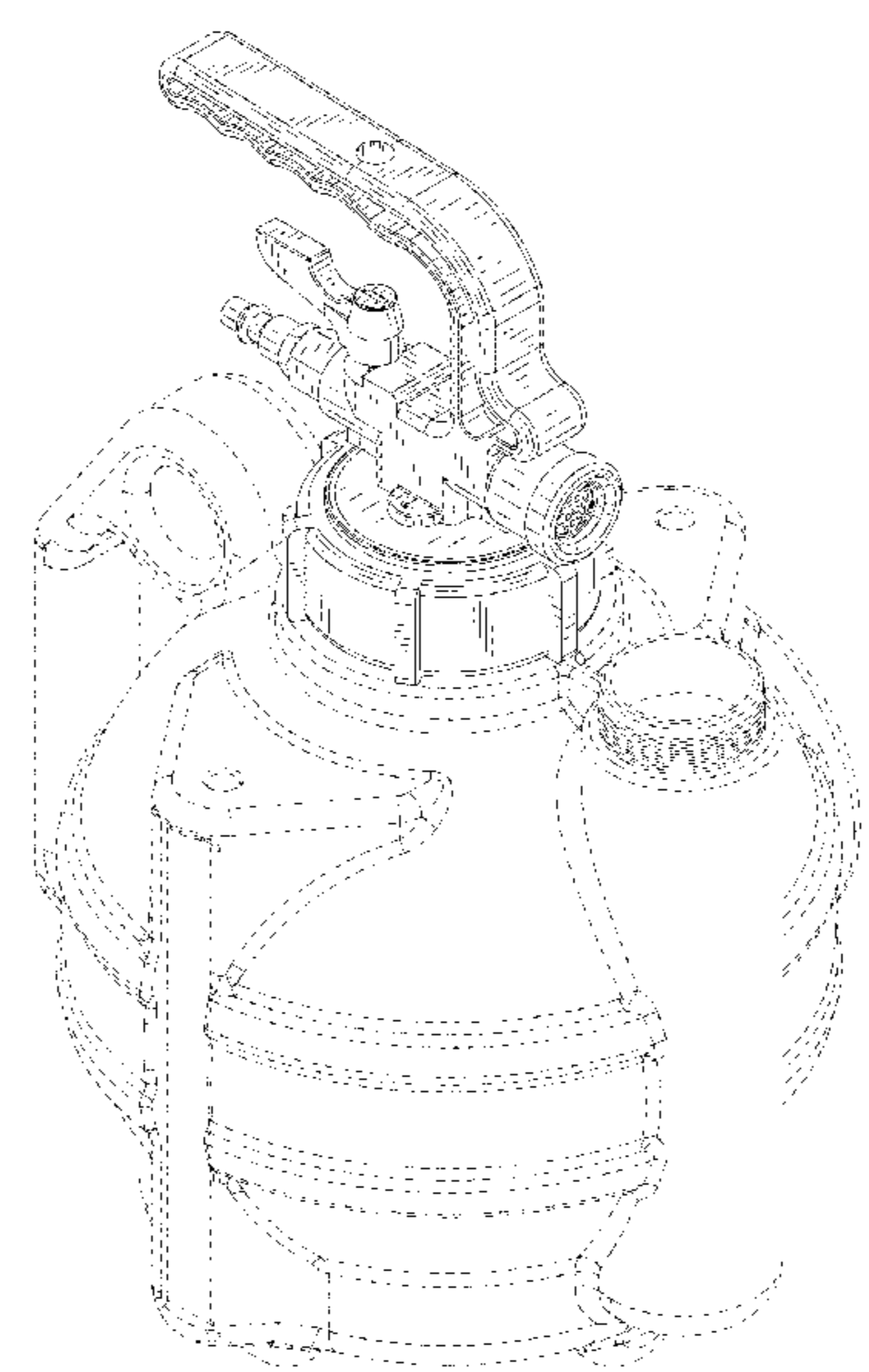
I claim the ornamental design for a pumping device, as shown and described.

DESCRIPTION

FIG. 1 is a top, front, right perspective view of a pumping device showing my new design;
FIG. 2 is a front elevational view thereof;
FIG. 3 is a rear elevational view thereof;
FIG. 4 is a left side view thereof;
FIG. 5 is a right side view thereof;
FIG. 6 is a top plan view thereof; and,
FIG. 7 is a bottom plan view.

The broken lines in the drawings illustrate portions of the pumping device which form no part of the claimed design.

1 Claim, 7 Drawing Sheets



(56)

References Cited

U.S. PATENT DOCUMENTS

2019/0309739 A1* 10/2019 Liao F04B 9/14

OTHER PUBLICATIONS

/Lih Yann Industrial Co., Vacuum Brake Fluid Bleeder (Pack of 3),
(date first available Jul. 17, 2021), Amazon.com, URL:<<https://www.amazon.com/Industrial-Vacuum-Brake-Fluid-Bleeder/dp/B09929F127>> (Year: 2021).*

* cited by examiner

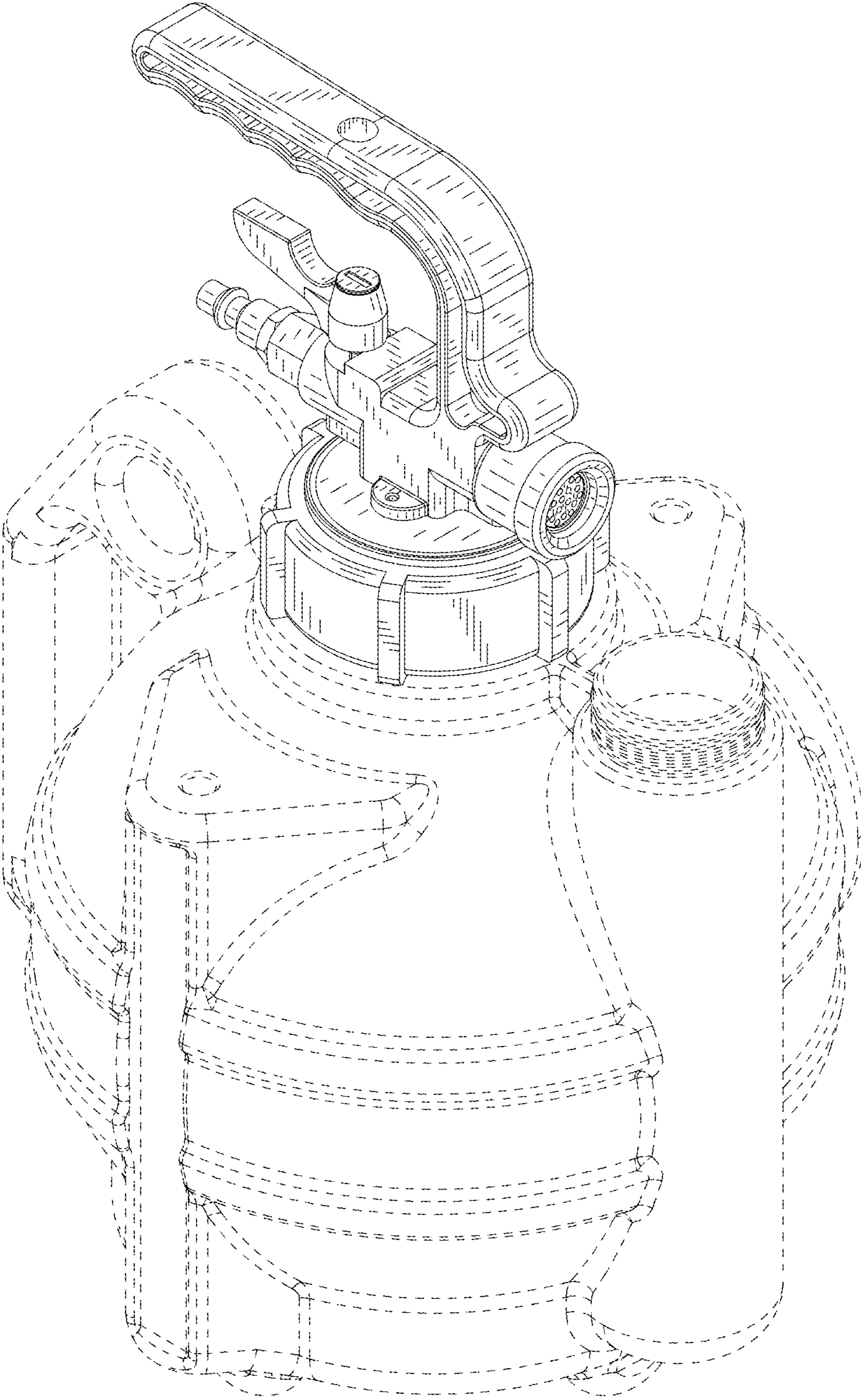


FIG. 1

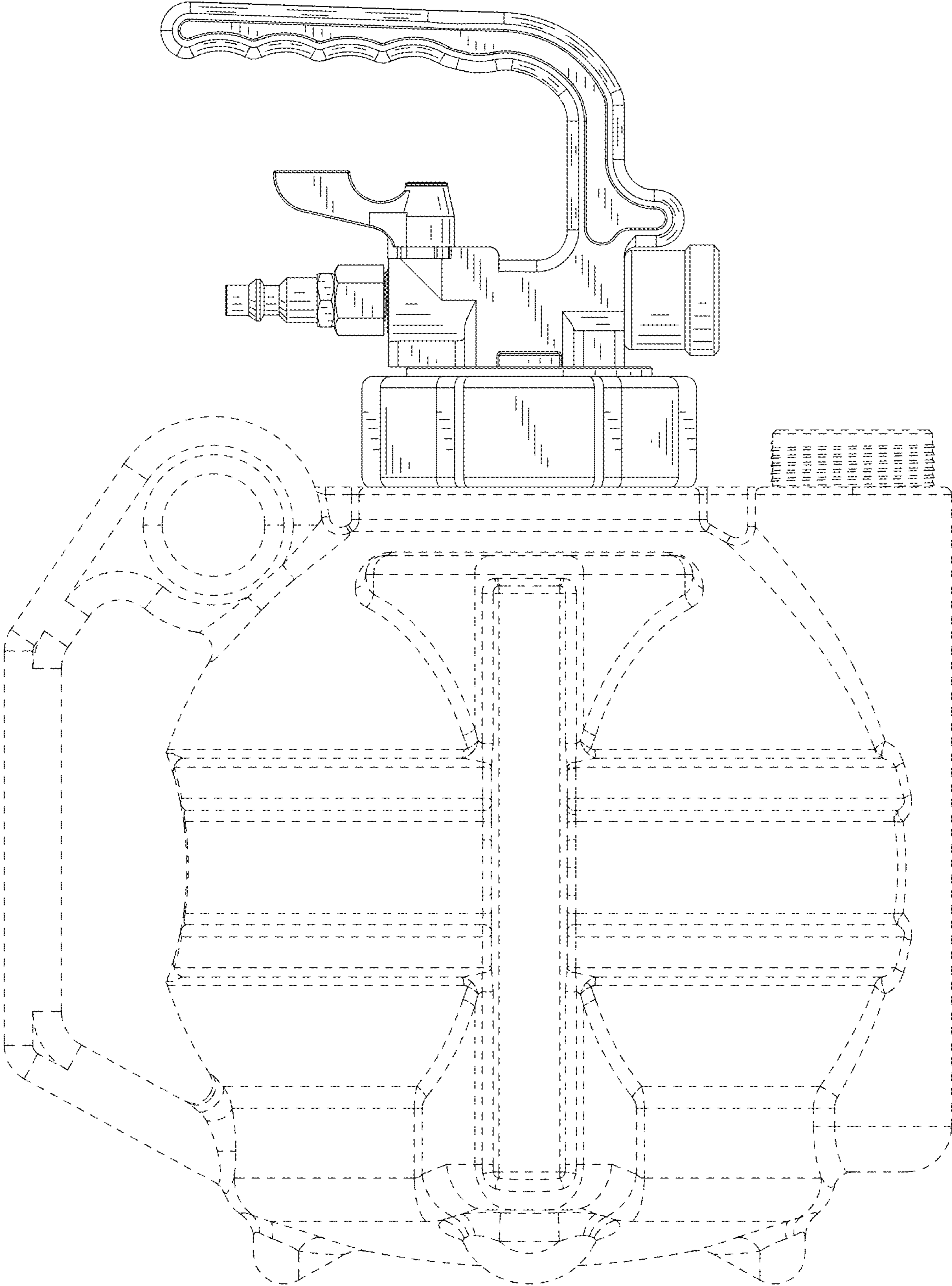


FIG. 2

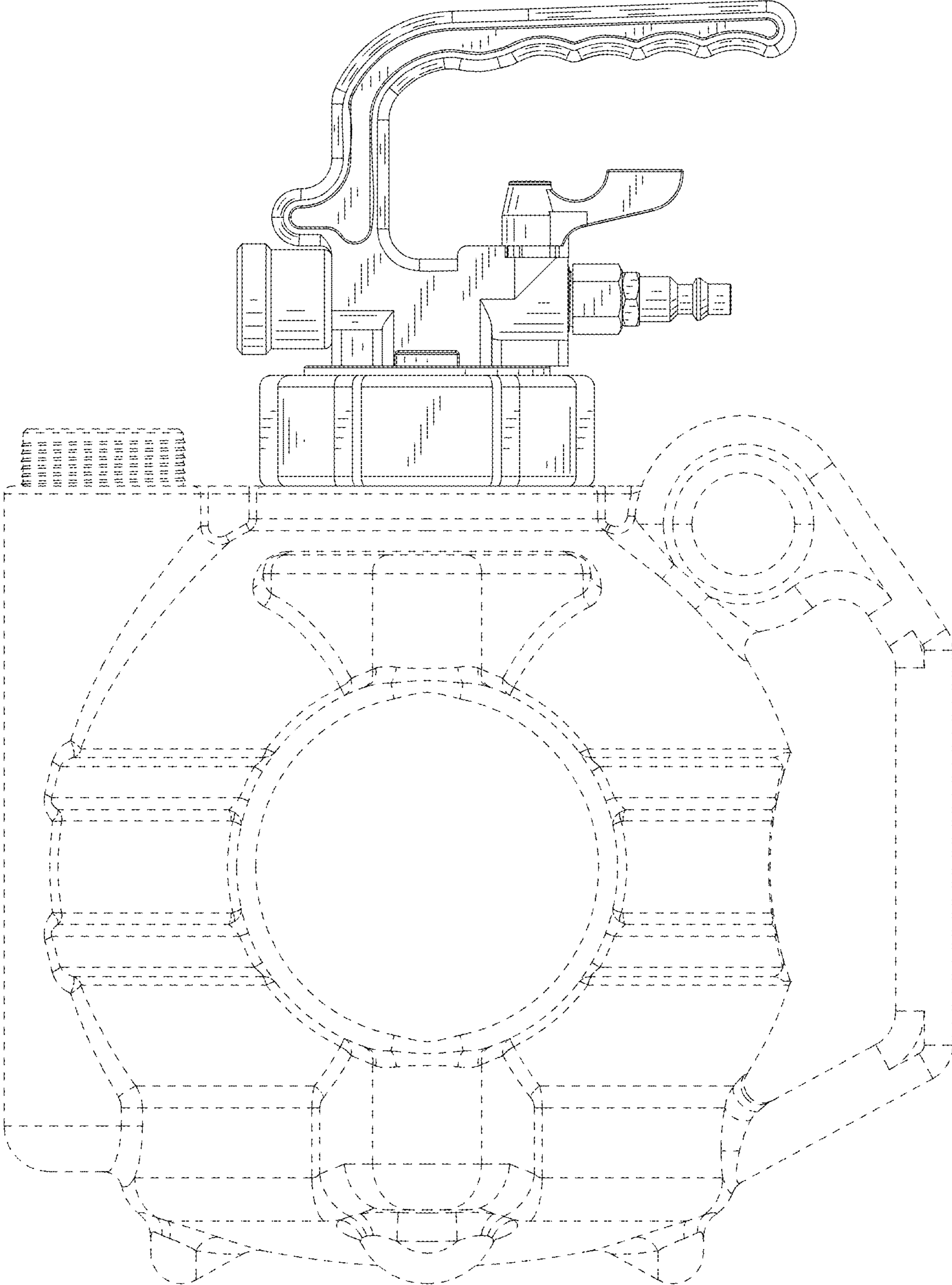


FIG. 3

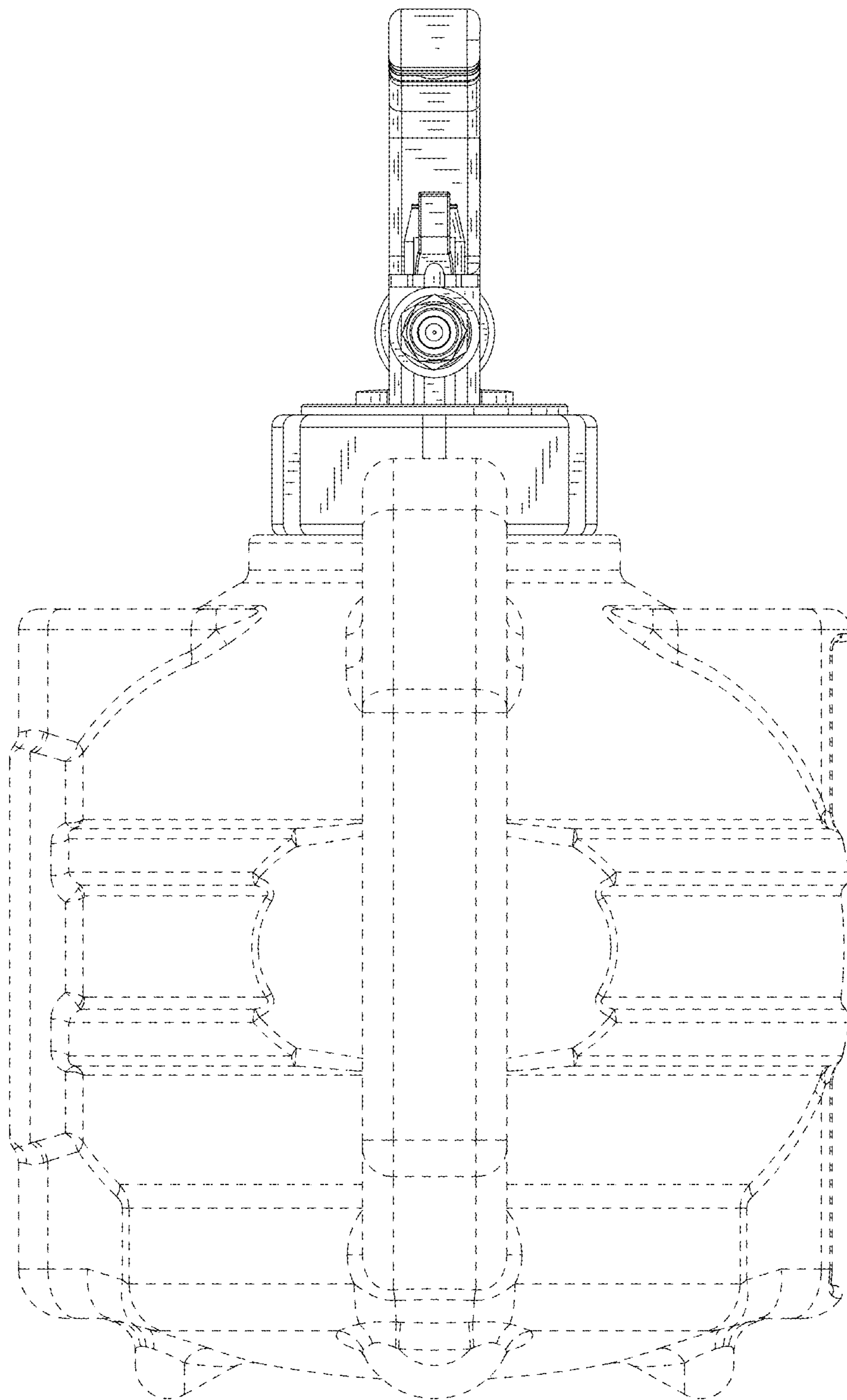


FIG. 4

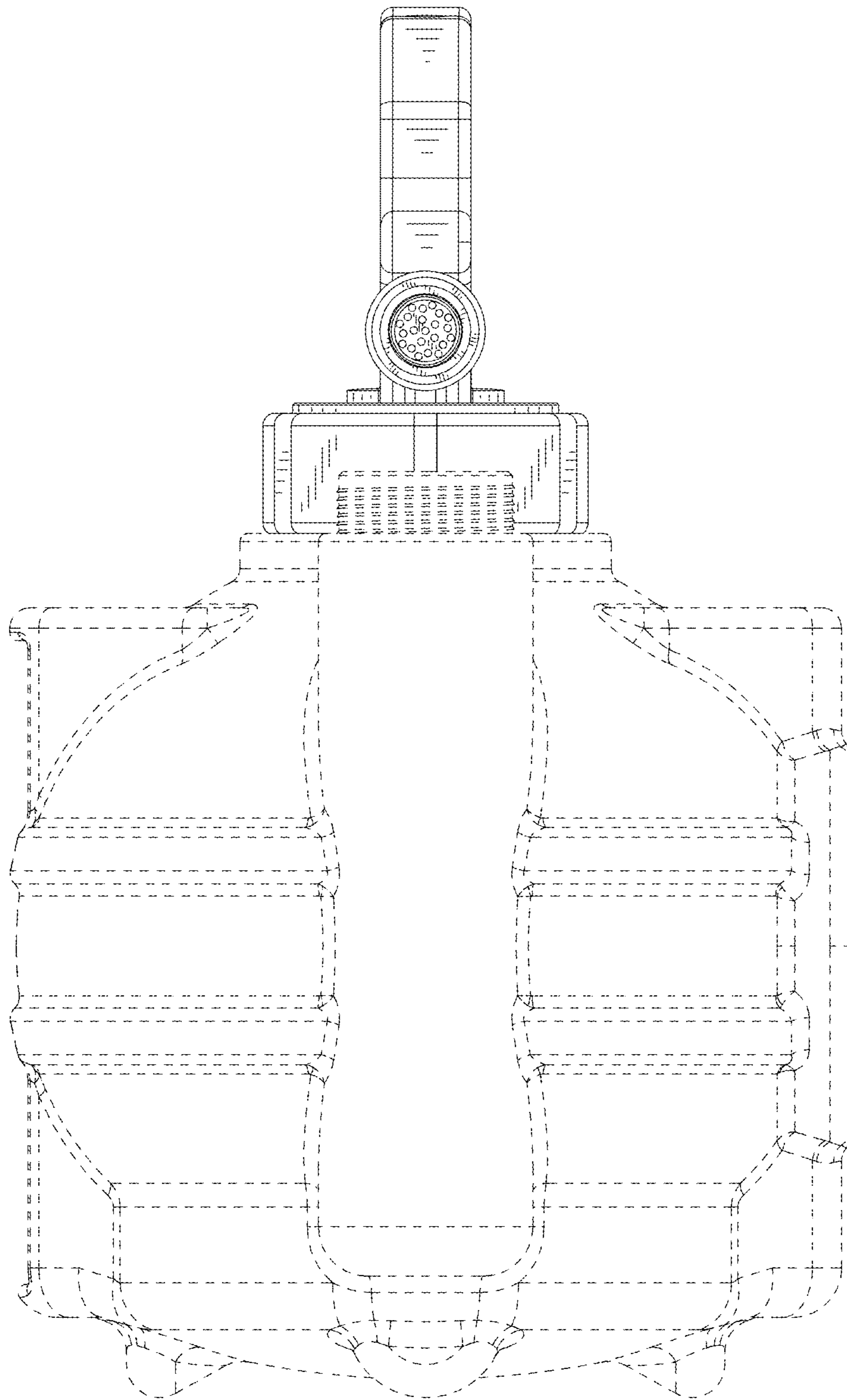


FIG. 5

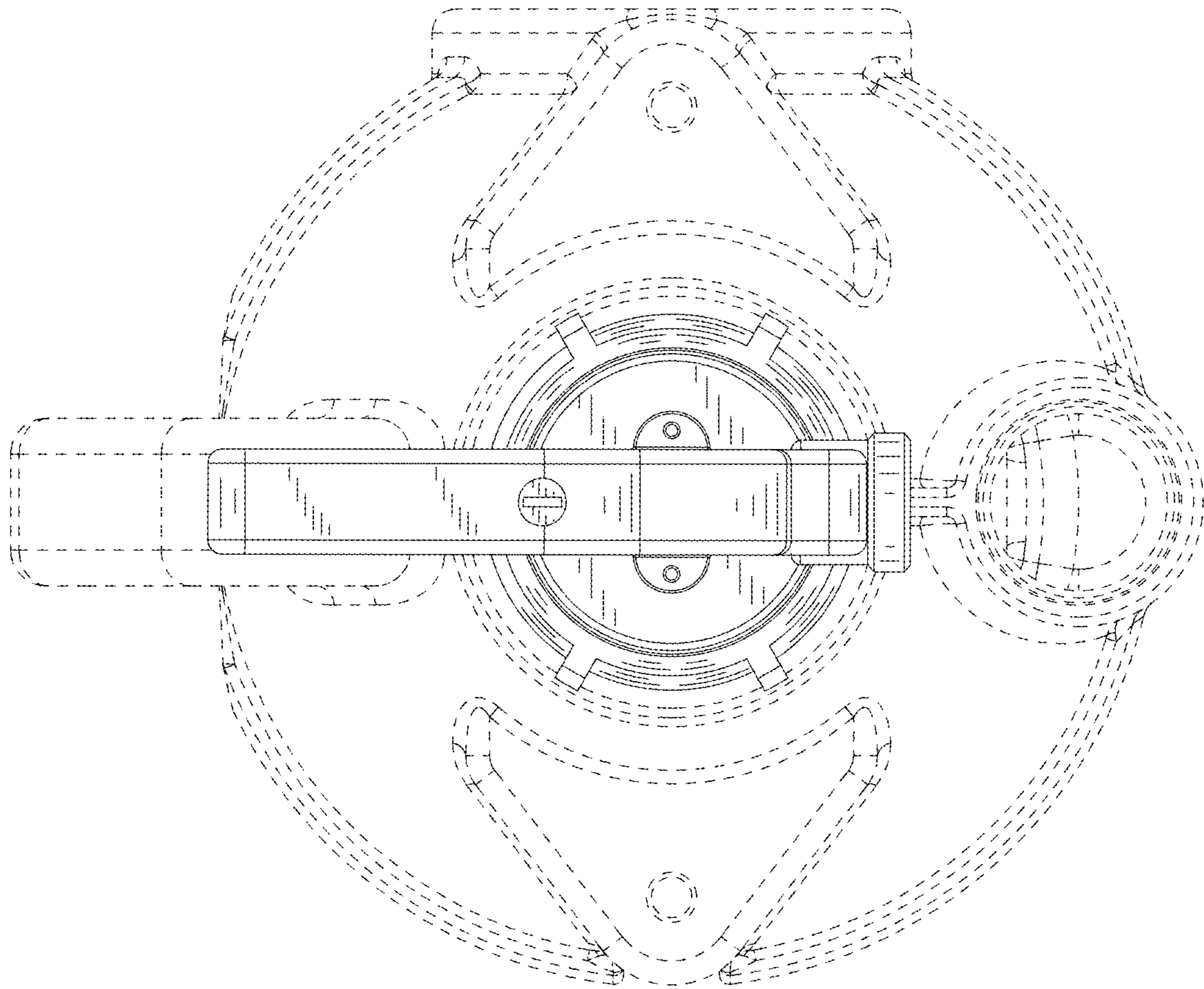


FIG. 6

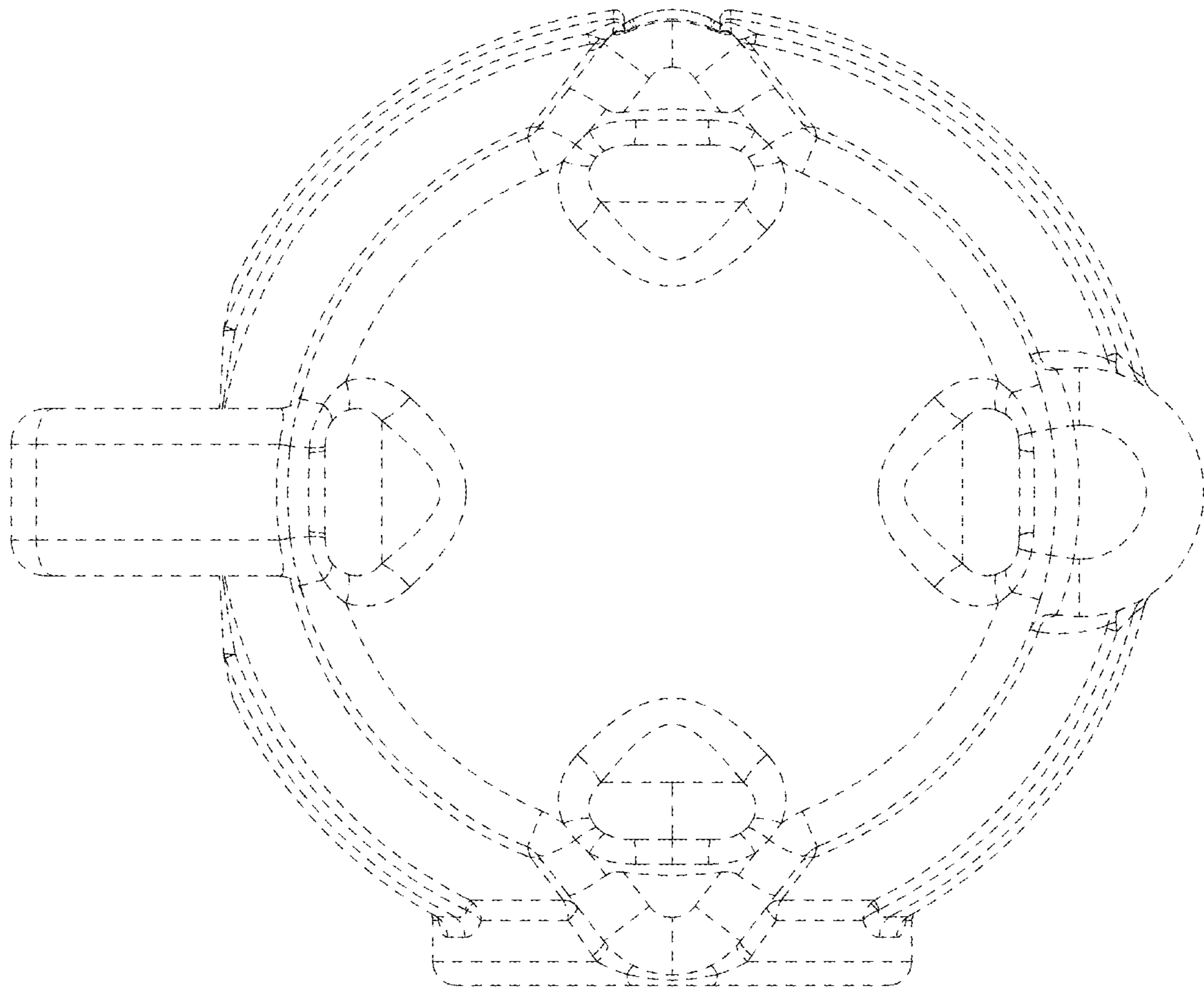


FIG. 7