



US00D947238S

(12) **United States Design Patent**
Nie et al.

(10) **Patent No.:** **US D947,238 S**
(45) **Date of Patent:** **** Mar. 29, 2022**

(54) **DISPLAY PANEL OR PORTION THEREOF WITH A GRAPHICAL USER INTERFACE**

(71) Applicant: **Nutanix, Inc.**, San Jose, CA (US)

(72) Inventors: **Yini Nie**, San Jose, CA (US);
Priyadarshi Prasad, Fremont, CA (US); **Ryan Tyler Hardin**, Durham, NC (US); **Christopher Ryan Wilson**, Morrisville, NC (US)

(73) Assignee: **Nutanix, Inc.**, San Jose, CA (US)

(**) Term: **15 Years**

(21) Appl. No.: **29/788,660**

(22) Filed: **Jul. 12, 2021**

Related U.S. Application Data

(62) Division of application No. 29/668,597, filed on Oct. 31, 2018, now Pat. No. Des. 924,906.

(51) **LOC (13) Cl.** **14-04**

(52) **U.S. Cl.**
USPC **D14/489**

(58) **Field of Classification Search**
USPC D14/485–495
CPC G06F 3/048; G06F 3/0481; G06F 3/04812; G06F 3/04815; G06F 3/04817; G06F 3/0482; G06F 3/0483; G06F 3/0484; G06F 3/04842; G06F 3/04845; G06F 3/04847; G06F 3/0485; G06F 3/04855; G06F 3/0486; G06F 3/0487; G06F 3/0488; G06F 3/04883; G06F 3/04886
See application file for complete search history.

(56) **References Cited**

U.S. PATENT DOCUMENTS

D631,892 S 2/2011 Kim
D633,517 S * 3/2011 Weir D14/487

D679,722 S * 4/2013 Ray D14/486
8,549,518 B1 10/2013 Aron et al.
8,601,473 B1 12/2013 Aron et al.
8,850,130 B1 9/2014 Aron et al.
D719,184 S * 12/2014 Aoshima D14/487
D764,504 S * 8/2016 Yagisawa D14/486
D769,293 S * 10/2016 Colbeck D14/486
D772,927 S * 11/2016 Powell, Jr. D14/488
D777,773 S * 1/2017 Shi D14/488
D793,419 S 8/2017 Gedrich et al.
9,772,866 B1 9/2017 Aron et al.
D808,425 S 1/2018 Park et al.
D810,769 S 2/2018 Zhou et al.
D821,441 S 6/2018 Wilberding et al.

(Continued)

OTHER PUBLICATIONS

Poitras, Steven. “The Nutanix Bible” (Oct. 15, 2013), from <http://stevenpoitras.com/the-nutanix-bible/> (Publication date based on indicated capture date by Archive.org; first publication date unknown).

(Continued)

Primary Examiner — Bao-Yen T Nguyen

(74) *Attorney, Agent, or Firm* — Vista IP Law Group, LLP

(57) **CLAIM**

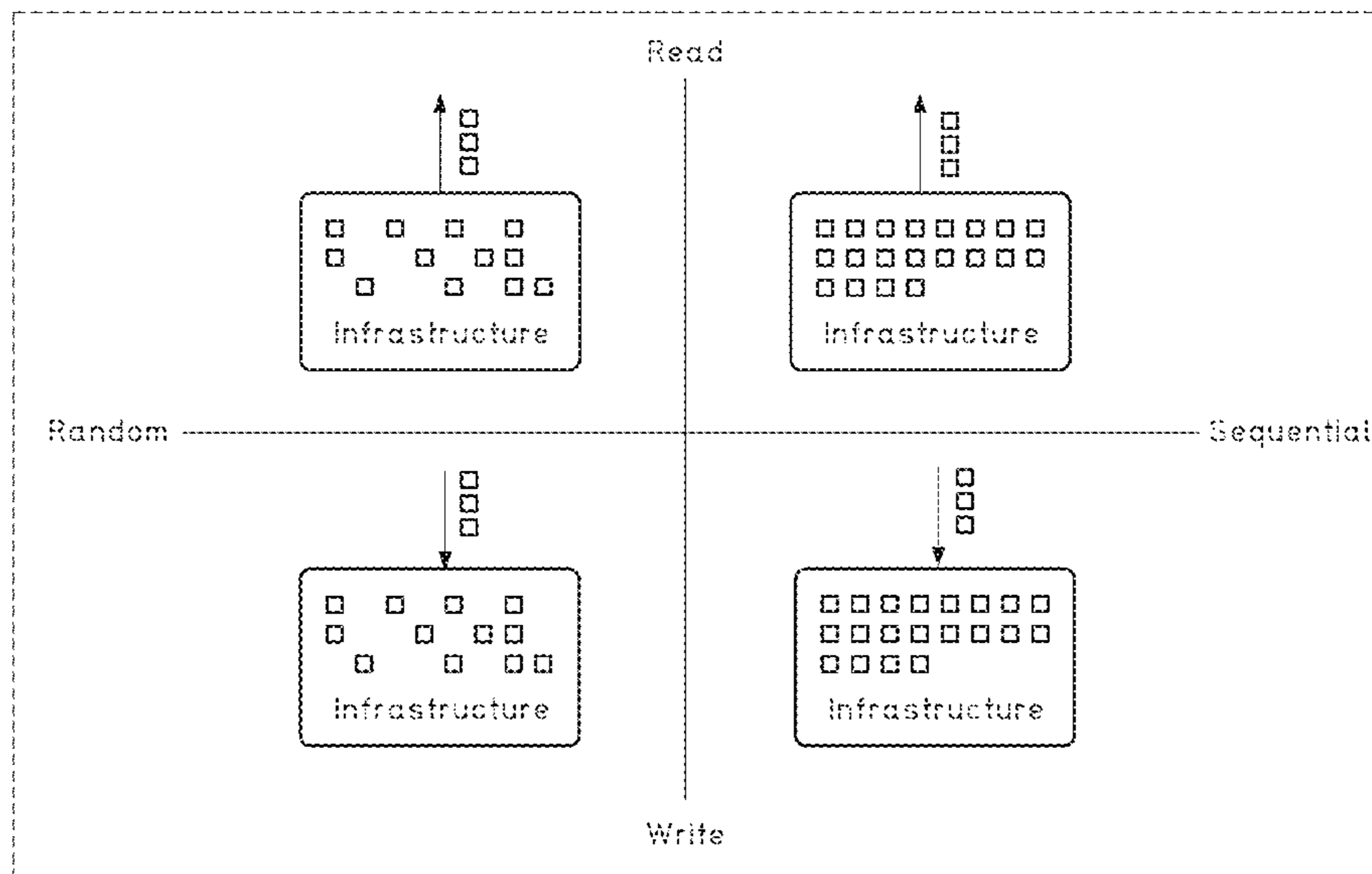
The ornamental design for a display panel or portion thereof with a graphical user interface, as shown and described.

DESCRIPTION

The sole FIGURE is a front view of a display panel or portion thereof with a graphical user interface showing our design.

The outermost broken line illustrates a display panel or portion thereof forms no part of the claimed design. The remaining broken lines, including all text, illustrate portions of a graphical user interface and form no part of the claimed design.

1 Claim, 1 Drawing Sheet



(56)

References Cited

U.S. PATENT DOCUMENTS

D837,241	S	1/2019	Dilag et al.	
D853,422	S	7/2019	Zimmerman et al.	
D868,807	S *	12/2019	Steppan	D14/486
D869,492	S	12/2019	Adler	
D870,762	S *	12/2019	Mendoza Corominas ..	D14/486
D875,107	S *	2/2020	Echeverri	D14/485
D878,402	S	3/2020	Turner et al.	
D879,123	S *	3/2020	Rydgren	D14/486
D881,224	S	4/2020	Elgena et al.	
D881,916	S	4/2020	Mead et al.	
D884,724	S	5/2020	Vanduyn et al.	
D886,141	S	6/2020	Hunt	
D886,143	S *	6/2020	Kuchibhotla	D14/486
D925,570	S *	7/2021	Spiegel	D14/486
D925,572	S *	7/2021	Stutts	D14/486
D926,784	S *	8/2021	Carlson	D14/485
2013/0181941	A1 *	7/2013	Okuno	G06F 3/041 345/174

OTHER PUBLICATIONS

Poitras, Steven. "The Nutanix Bible" (Jan. 11, 2014), from <http://stevenpoitras.com/the-nutanix-bible/> (Publication date based on indicated capture date by Archive.org; first publication date unknown).
 Poitras, Steven. "The Nutanix Bible" (Jun. 20, 2014), from <http://stevenpoitras.com/the-nutanix-bible/> (Publication date based on indicated capture date by Archive.org; first publication date unknown).

Poitras, Steven. "The Nutanix Bible" (Jan. 7, 2015), from <http://stevenpoitras.com/the-nutanix-bible/> (Publication date based on indicated capture date by Archive.org; first publication date unknown).
 Poitras, Steven. "The Nutanix Bible" (Jun. 9, 2015), from <http://stevenpoitras.com/the-nutanix-bible/> (Publication date based on indicated capture date by Archive.org; first publication date unknown).
 Poitras, Steven. "The Nutanix Bible" (Sep. 4, 2015), from <https://nutanixbible.com/>.
 Poitras, Steven. "The Nutanix Bible" (Jan. 12, 2016), from <https://nutanixbible.com/>.
 Poitras, Steven. "The Nutanix Bible" (Jun. 9, 2016), from <https://nutanixbible.com/>.
 Poitras, Steven. "The Nutanix Bible" (Jan. 3, 2017), from <https://nutanixbible.com/>.
 Poitras, Steven. "The Nutanix Bible" (Jun. 8, 2017), from <https://nutanixbible.com/>.
 Poitras, Steven. "The Nutanix Bible" (Jan. 3, 2018), from <https://nutanixbible.com/>.
 Poitras, Steven. "The Nutanix Bible" (Jun. 25, 2018), from <https://nutanixbible.com/>.
 Cano, I et al., "Curator: Self-Managing Storage for Enterprise Clusters", *14th USENIX Symposium on Networked Systems Design and Implementation, NSDI '17*, (Mar. 27, 2017).
 Notice of Allowance dated Mar. 4, 2021 for corresponding U.S. Pat. No. D924,906.

* cited by examiner

