



US00D947237S

(12) **United States Design Patent** (10) **Patent No.:** **US D947,237 S**
Jansen et al. (45) **Date of Patent:** **** Mar. 29, 2022**

(54) **DISPLAY SCREEN OR PORTION THEREOF WITH ANIMATED GRAPHICAL USER INTERFACE**

com/r/miband/comments/9ex1u1/new_firmware_update_for_the_mi_band_3_allow_to/ (Year: 2018).*

(Continued)

(71) Applicant: **KONINKLIJKE PHILIPS N.V.**,
Eindhoven (NL)

Primary Examiner — Jack Reickel
Assistant Examiner — Christopher M Spivey

(72) Inventors: **Johannes Antonius Jansen**, Utrecht (NL); **Riccardo Vescovo**, Amsterdam (NL)

(57) **CLAIM**

The ornamental design for a display screen or portion thereof with animated graphical user interface, as shown and described.

(73) Assignee: **KONINKLIJKE PHILIPS N.V.**,
Eindhoven (NL)

DESCRIPTION

(**) Term: **15 Years**

(21) Appl. No.: **29/726,210**

(22) Filed: **Mar. 2, 2020**

(51) **LOC (13) Cl.** **14-04**

(52) **U.S. Cl.**
USPC **D14/489**; D14/485

(58) **Field of Classification Search**
USPC D14/485–495

(Continued)

(56) **References Cited**

U.S. PATENT DOCUMENTS

D397,687 S * 9/1998 Arora D14/489
D436,598 S * 1/2001 King D14/489

(Continued)

FOREIGN PATENT DOCUMENTS

CN 305904982 * 7/2020
CN 306098397 * 10/2020
WO D207363-008 * 8/2020

OTHER PUBLICATIONS

“New firmware update for the Mi Band 3 allow to start an exercise session from the band itself instead of starting it from the app” Sep. 11, 2018, Reddit, site visited May 22, 2021: https://www.reddit.com/r/miband/comments/9ex1u1/new_firmware_update_for_the_mi_band_3_allow_to/

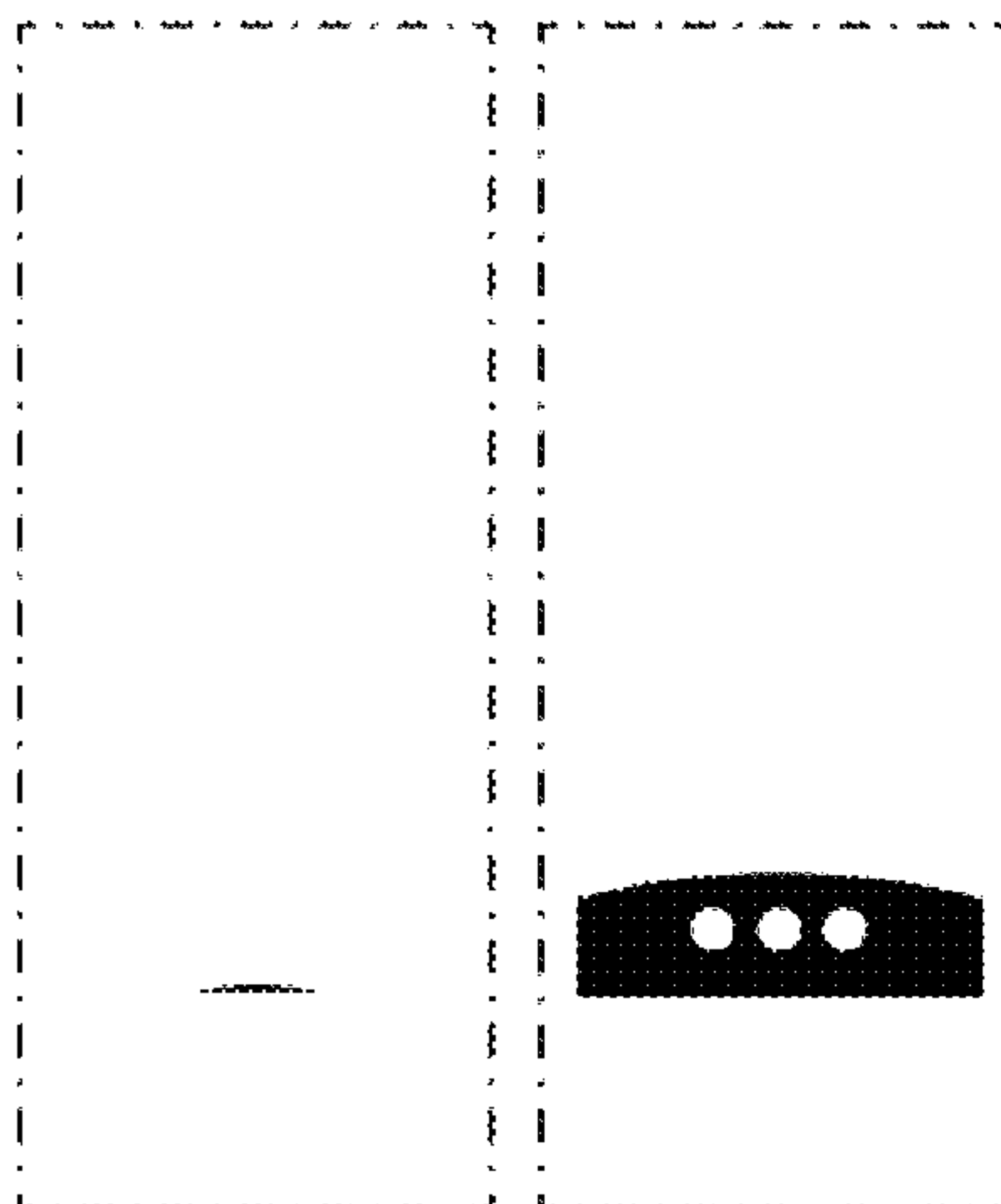
FIG. 1 is a front view of a first embodiment showing a first image in a sequence of a display screen or portion thereof with animated graphical user interface, showing our new design;

FIG. 2 is a front view of a second image thereof;
FIG. 3 is a front view of a third image thereof;
FIG. 4 is a front view of a fourth image thereof;
FIG. 5 is a front view of a fifth image thereof;
FIG. 6 is a front view of a sixth image thereof;
FIG. 7 is a front view of a seventh image thereof;
FIG. 8 is a front view of a second embodiment showing a first image in a sequence of a display screen or portion thereof with animated graphical user interface;
FIG. 9 is a front view of a second image thereof;
FIG. 10 is a front view of a third image thereof;
FIG. 11 is a front view of a fourth image thereof;
FIG. 12 is a front view of a fifth image thereof;
FIG. 13 is a front view of a sixth image thereof; and,
FIG. 14 is a front view of a seventh image thereof.

The appearance of the animated graphical user interface sequentially transitions between the images shown in FIGS. 1-7 and FIGS. 8-14. The process or period in which an image transitions to another image forms no part of the claimed design.

The outer even dashed broken line showing of a device is for the purpose of illustrating environmental structure and forms no part of the claimed design. All other broken line showing of the display screen or portion thereof with animated

(Continued)



graphical user interface is for the purpose of illustrating portions of the article and forms no part of the claimed design.

1 Claim, 9 Drawing Sheets

(58) **Field of Classification Search**

CPC H04N 21/4312; H04N 21/478; H04N 5/23293; B26B 19/388; B26B 19/3873; A63B 24/00; G06F 17/211; G06F 17/212; G06F 3/048; G06F 3/0481; G06F 3/04817; G06F 3/0482; G06F 3/0483; G06F 3/04842; G06F 3/0485; G06F 3/04855; G06F 3/0486; G06F 3/0488; G06F 3/04886; G06F 9/4443; G06F 1/163; G06F 1/3265; A46B 15/001; A45D 44/005; G06T 7/0014; H04M 1/0268; H04M 1/72427

See application file for complete search history.

(56) **References Cited**

U.S. PATENT DOCUMENTS

D469,108 S * 1/2003 Lorenzo D14/456
 6,678,891 B1 * 1/2004 Wilcox G06Q 30/0601
 725/42
 8,784,271 B2 * 7/2014 Brumback G06F 3/0487
 482/8
 D739,417 S * 9/2015 Laverack D14/485
 D741,877 S * 10/2015 Torres D14/485

D743,995 S * 11/2015 Herold D14/487
 D747,349 S * 1/2016 Park D14/492
 D754,195 S * 4/2016 Wire D14/489
 D757,750 S * 5/2016 Tedesco D14/485
 D775,209 S * 12/2016 Henderson D14/494
 D778,945 S * 2/2017 Aoyama D14/489
 D802,010 S * 11/2017 Blyde D14/488
 D831,698 S * 10/2018 Fornoff D14/492
 D847,202 S * 4/2019 Flynn D14/489
 D868,086 S * 11/2019 Broughton D14/486
 D884,902 S * 5/2020 Nishiyama D24/165
 D888,755 S * 6/2020 Gaiser D14/487
 D889,483 S * 7/2020 Amini D14/485
 D898,766 S * 10/2020 Boltz D14/488
 D905,735 S * 12/2020 Felkins D14/488
 D914,054 S * 3/2021 Groce D14/488
 D916,790 S * 4/2021 Yan D14/486
 2017/0056146 A1 * 3/2017 Boughorbel A61C 17/221
 2017/0184586 A1 * 6/2017 Hopper G01N 33/558
 2017/0199658 A1 * 7/2017 Stouter F24C 7/086
 2017/0360538 A1 * 12/2017 Luo A61C 17/221
 2019/0358835 A1 * 11/2019 Rao Ganesh B26B 19/46
 2020/0000441 A1 * 1/2020 Lafon A61B 5/14551

OTHER PUBLICATIONS

“Garmin Vivosmart 4: The First Few Days Hands-on (with SpO2 & Body Battery)” Aug. 30, 2018, YouTube, site visited May 22, 2021: <https://www.youtube.com/watch?v=SNBJXjtpBo&t=342s> (Year: 2018).*

“Internet of things design” Mar. 16, 2016, DepositPhotos, site visited May 22, 2021: <https://depositphotos.com/103009152/stock-illustration-internet-of-things-design.html> (Year: 2016).*

* cited by examiner

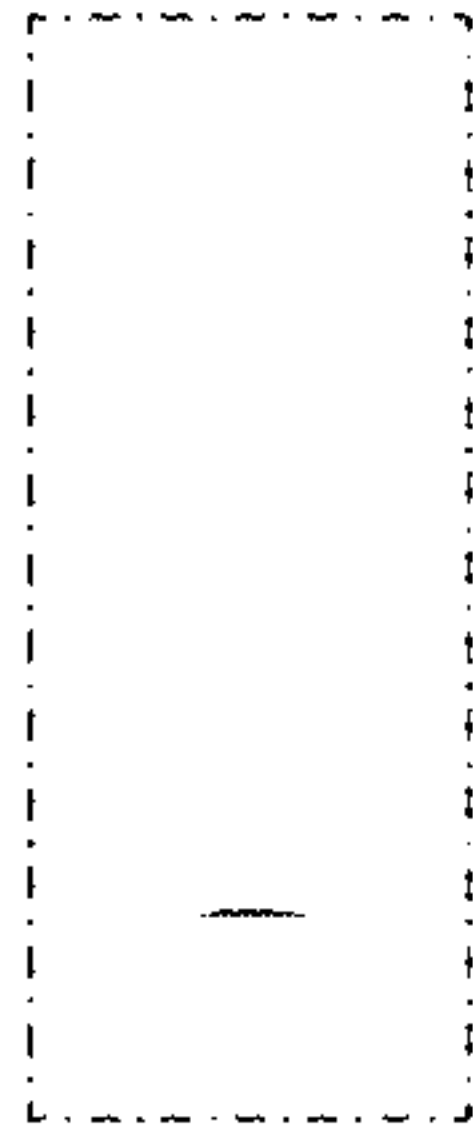


FIG. 1

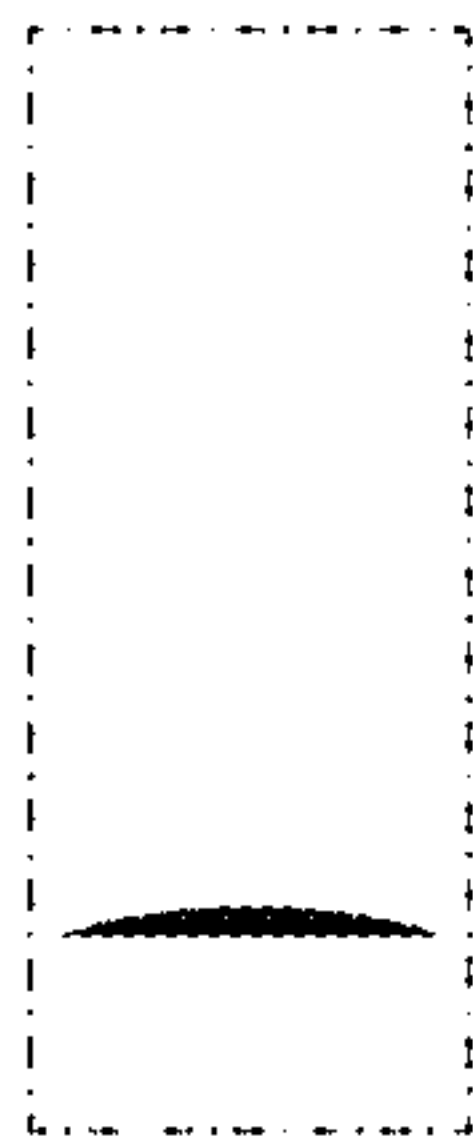


FIG. 2

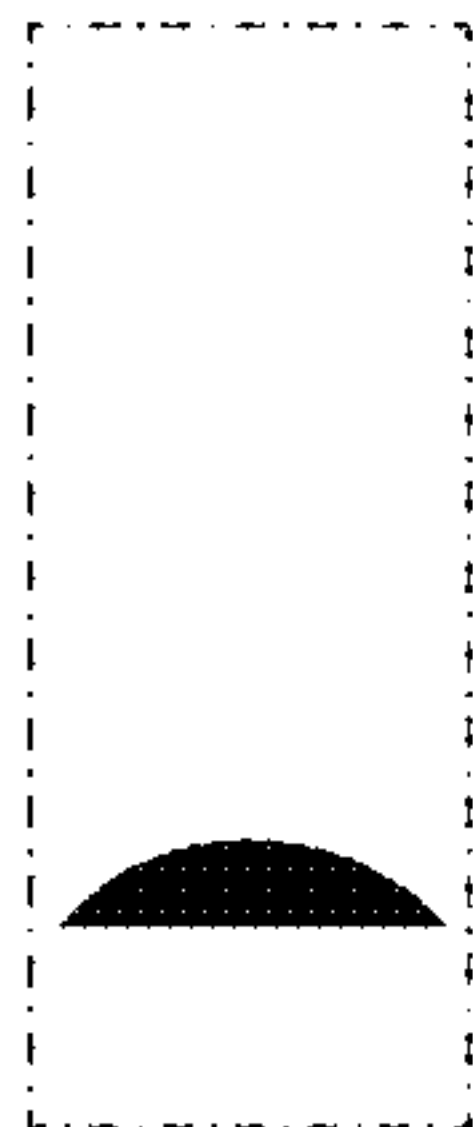


FIG. 3

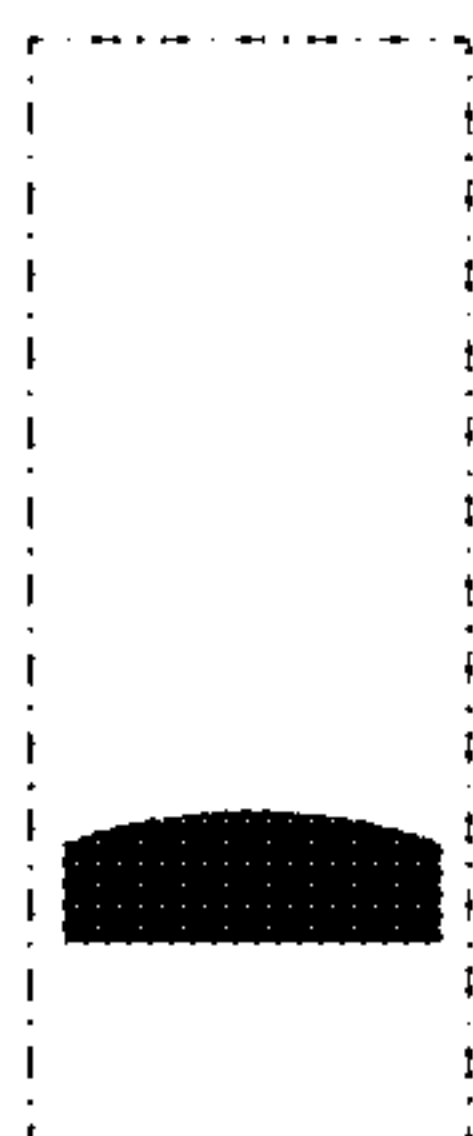


FIG. 4

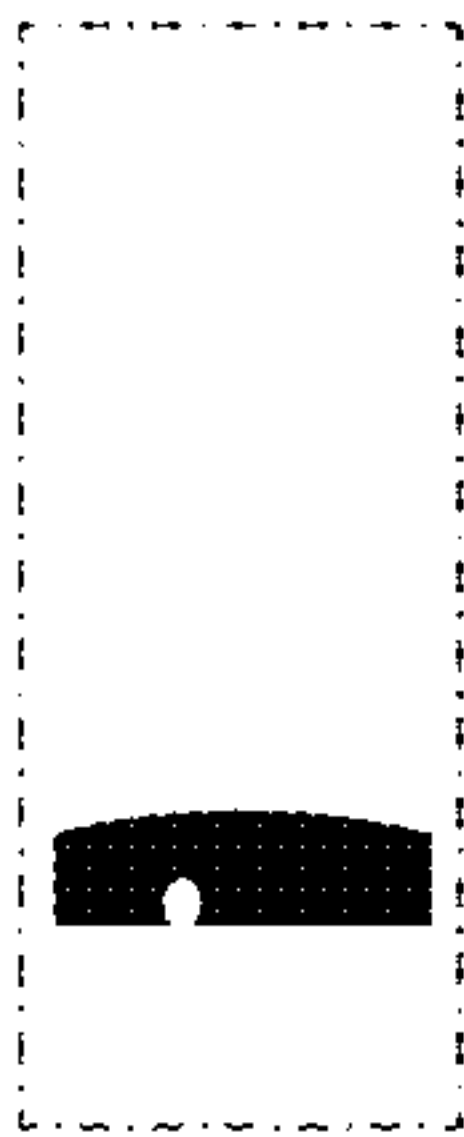


FIG. 5



FIG. 6



FIG. 7

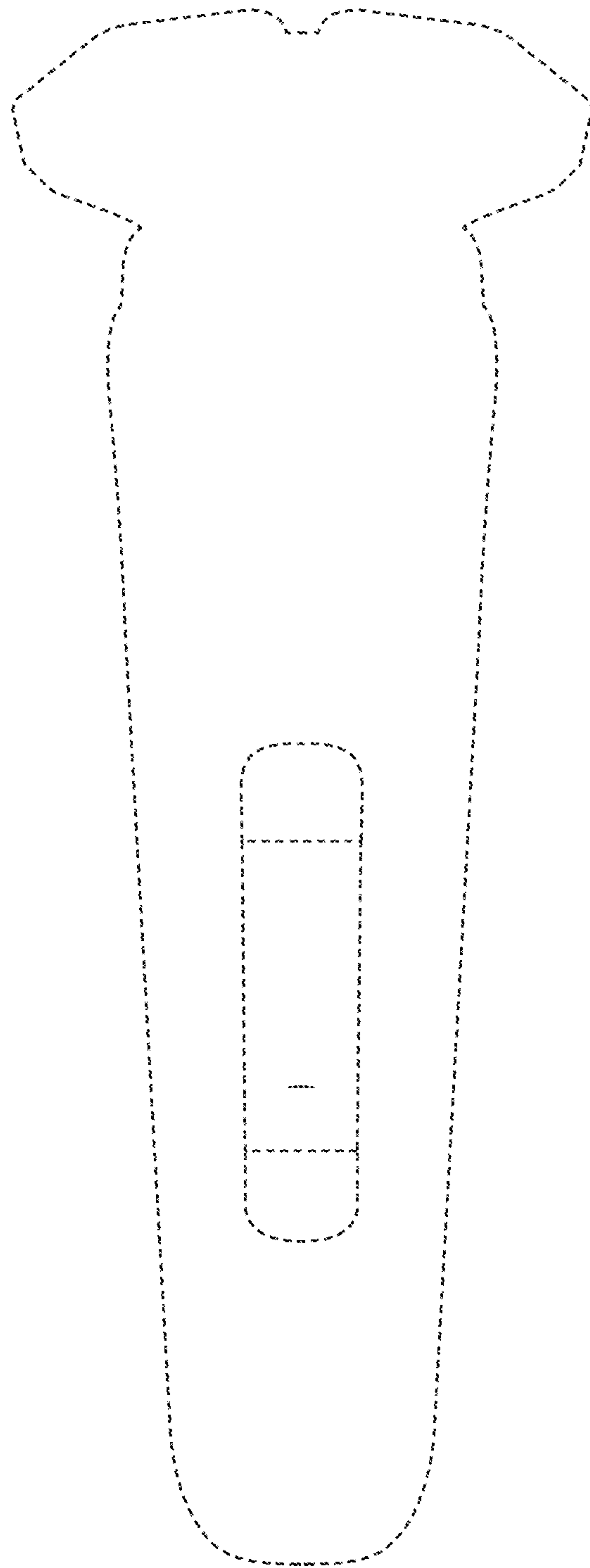


FIG. 8

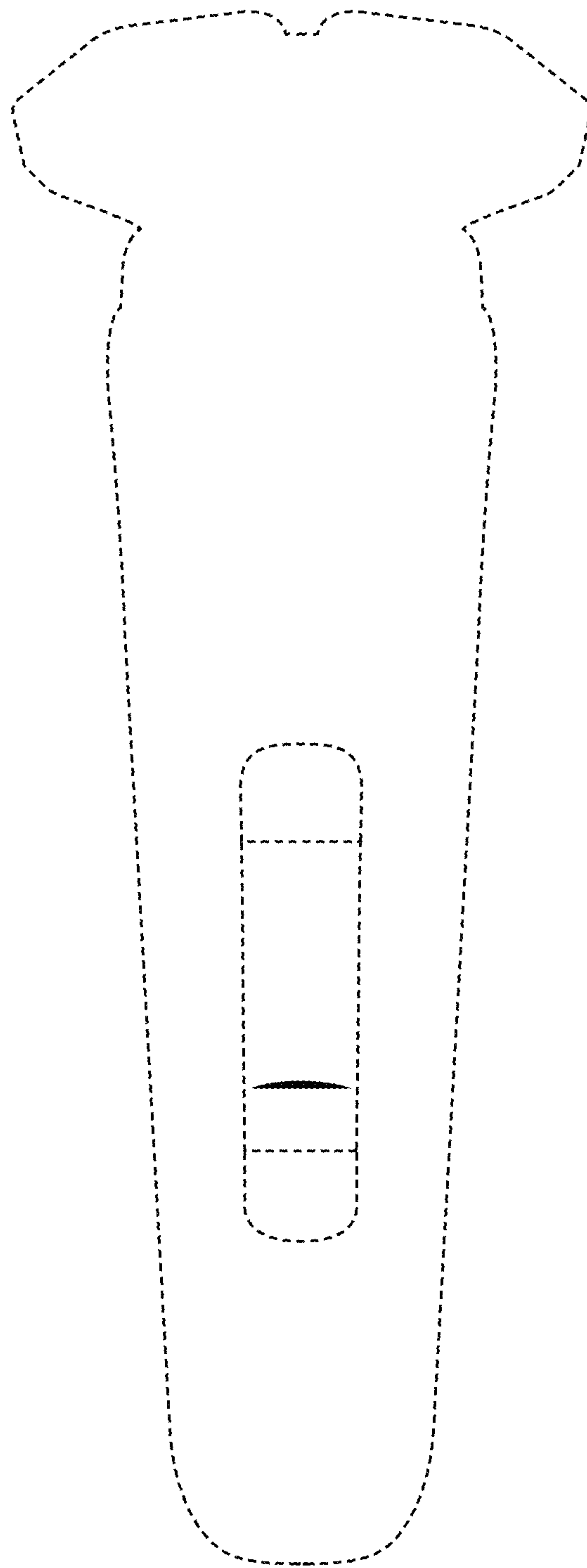


FIG. 9

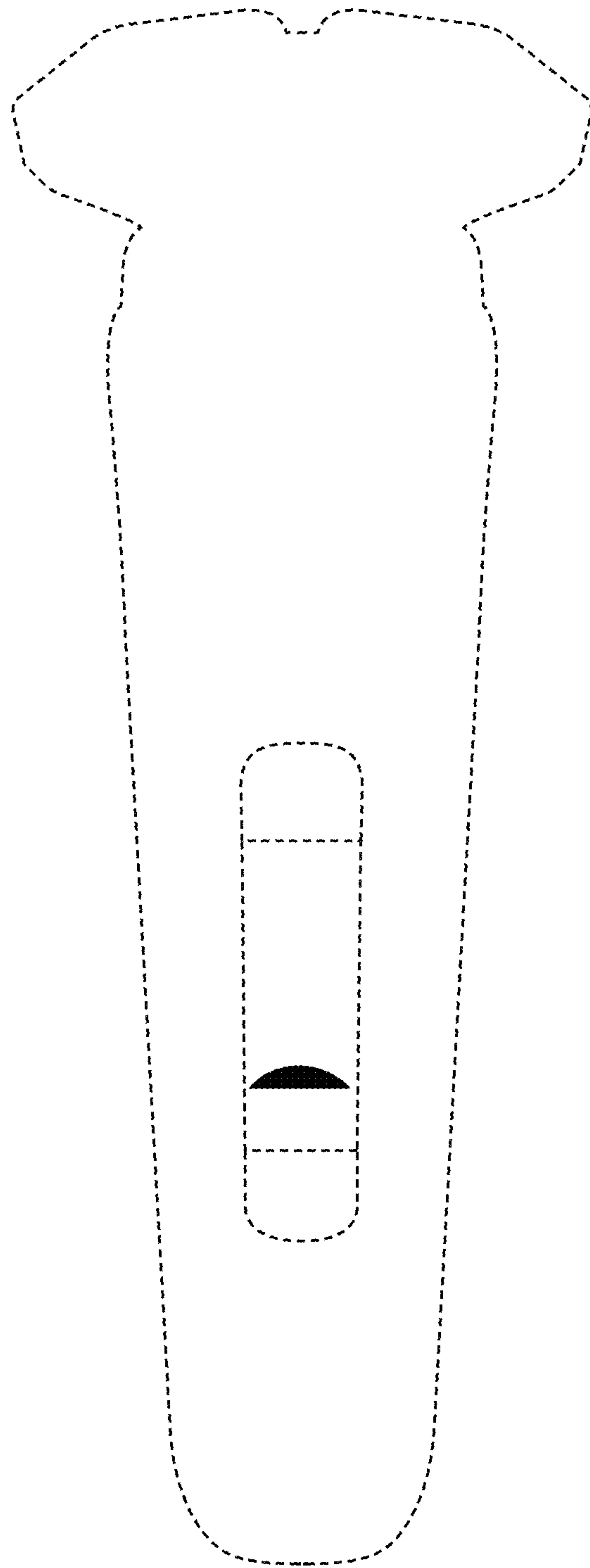


FIG. 10

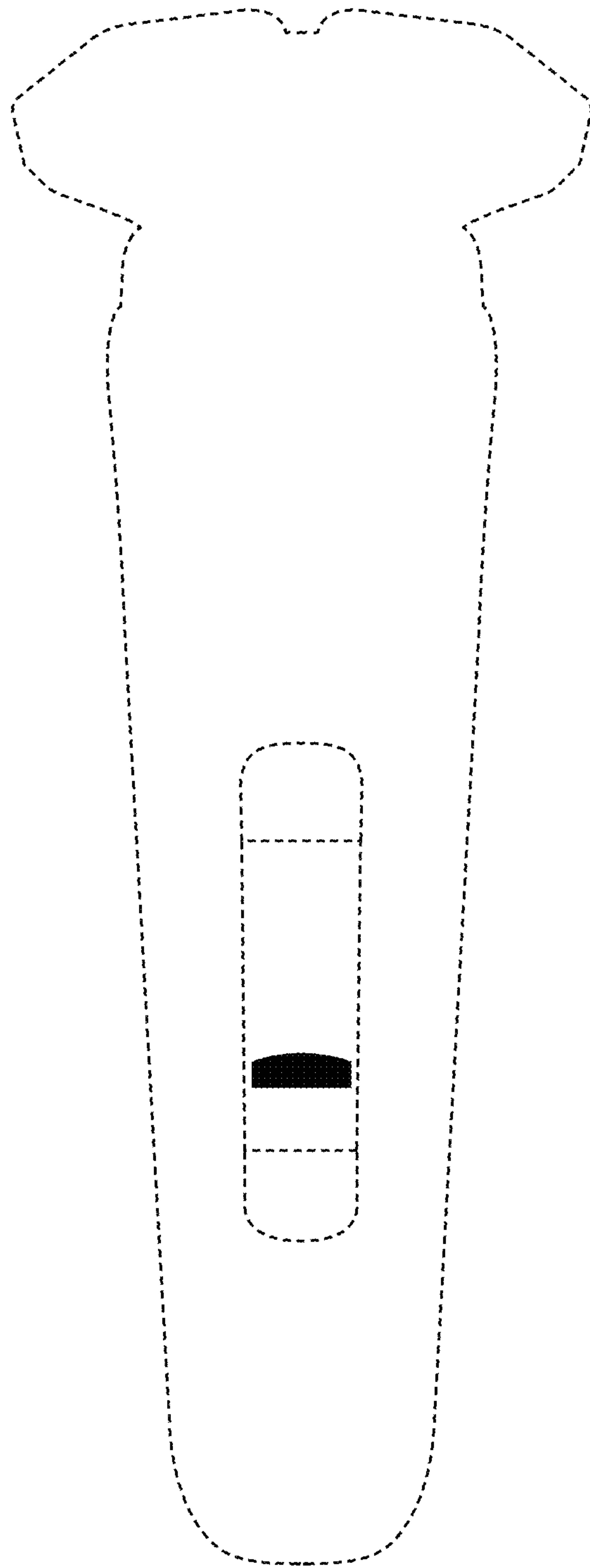


FIG. 11

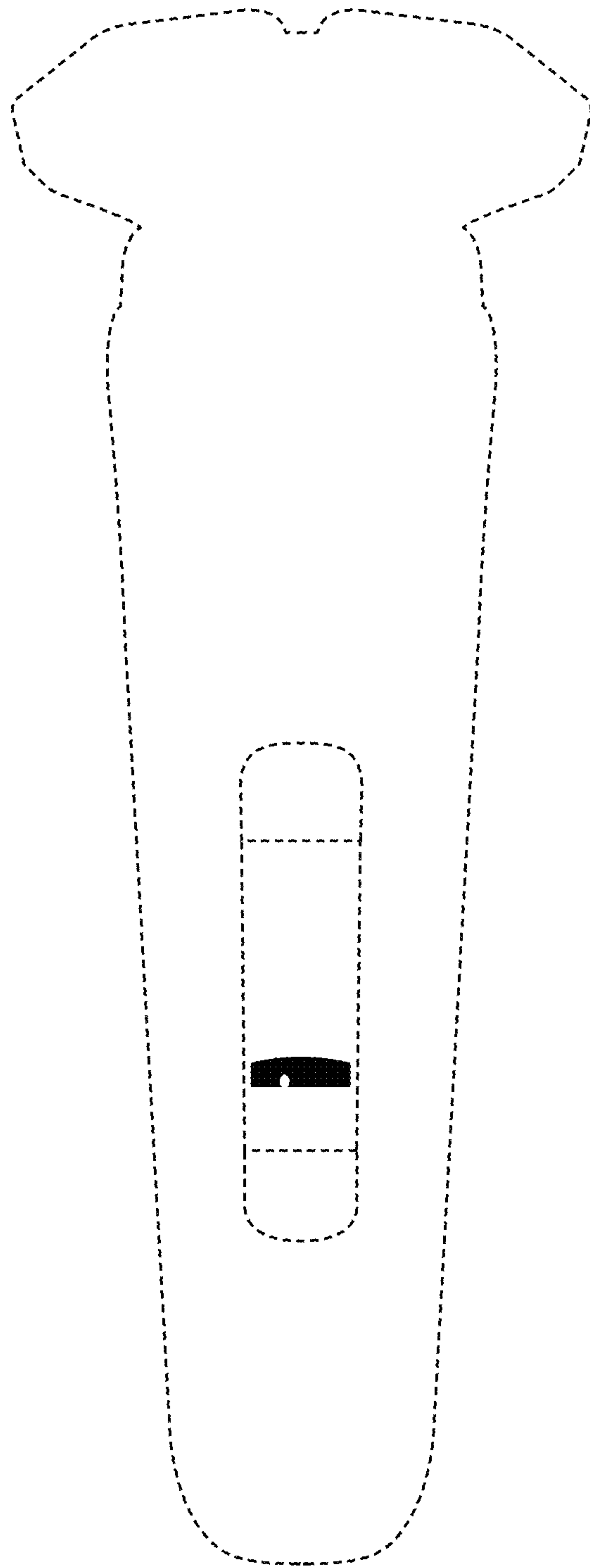


FIG. 12

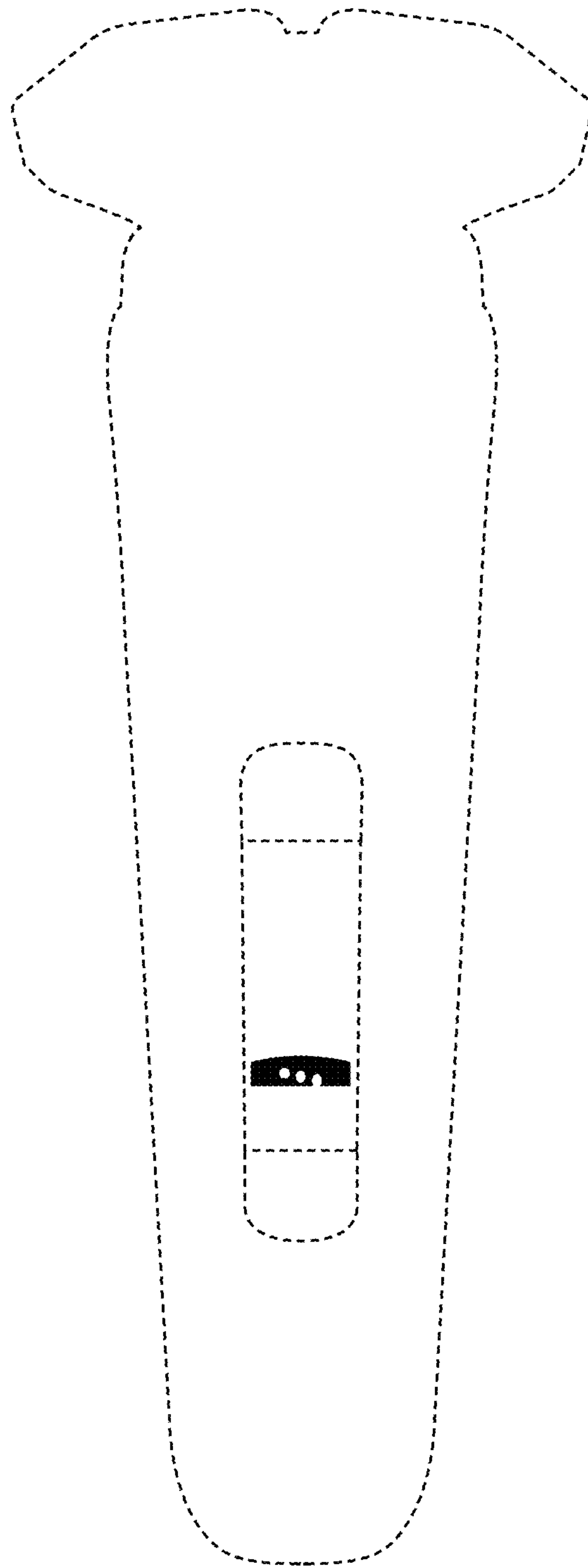


FIG. 13

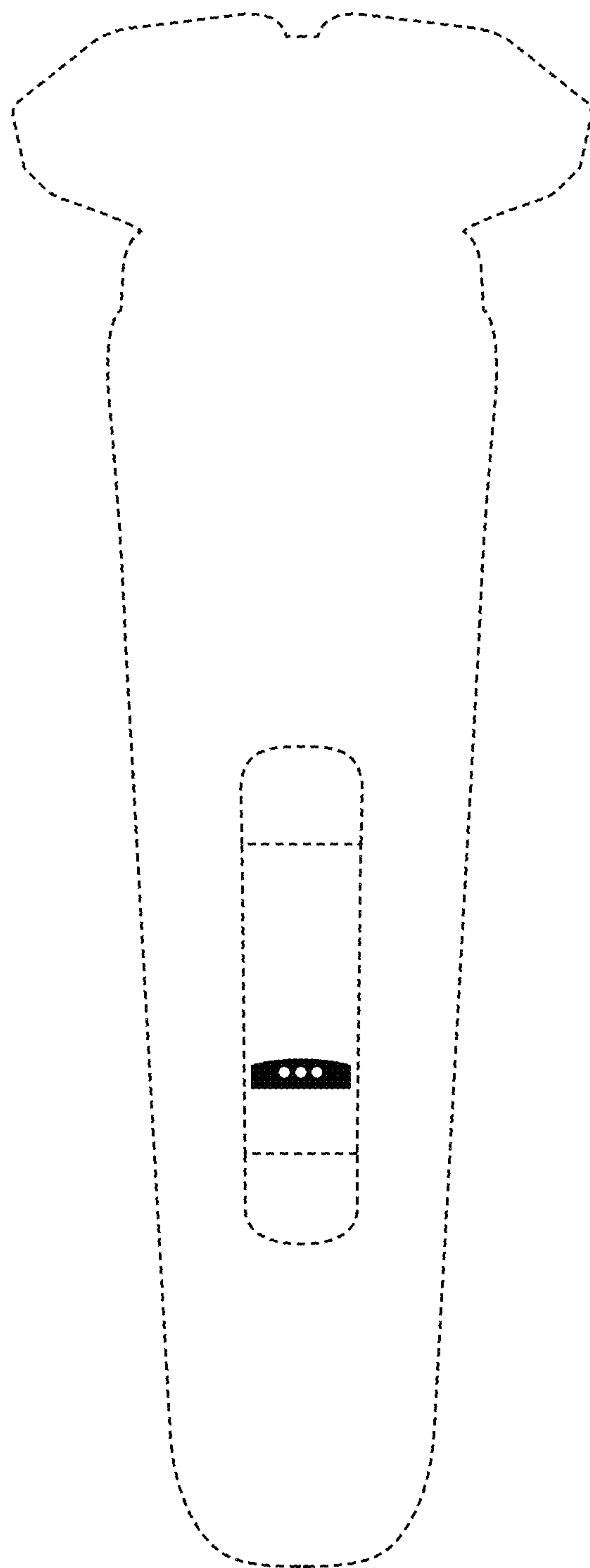


FIG. 14