

US00D947235S

(12) **United States Design Patent**
Suzuki et al.

(10) **Patent No.:** **US D947,235 S**
(45) **Date of Patent:** **** Mar. 29, 2022**

(54) **DISPLAY SCREEN OR PORTION THEREOF WITH ANIMATED GRAPHICAL USER INTERFACE**

(71) Applicant: **Mitsubishi Electric Corporation,**
Tokyo (JP)

(72) Inventors: **Shuhei Suzuki,** Tokyo (JP); **Shinsaku Fukutaka,** Tokyo (JP); **Munetaka Nishihira,** Tokyo (JP); **Akiko Imaishi,** Tokyo (JP); **Misato Yuasa,** Tokyo (JP); **Tsuyoshi Sempuku,** Tokyo (JP)

(73) Assignee: **Mitsubishi Electric Corporation,**
Tokyo (JP)

(**) Term: **15 Years**

(21) Appl. No.: **29/753,688**

(22) Filed: **Oct. 1, 2020**

(30) **Foreign Application Priority Data**

Apr. 1, 2020 (JP) 2020006392 D

(51) **LOC (13) Cl.** **14-04**

(52) **U.S. Cl.**
USPC **D14/488**

(58) **Field of Classification Search**
USPC D14/485-95

(Continued)

(56) **References Cited**

U.S. PATENT DOCUMENTS

D557,272 S * 12/2007 Glaser D14/487

D563,977 S * 3/2008 Carl D14/488

(Continued)

OTHER PUBLICATIONS

Driving Test Tips Pass your driving test first time—Auckland, <https://www.alertdriving.co.nz/test-tips/eight-faults-for-parallel-parking> (Year: 2013).*

(Continued)

Primary Examiner — Melanie H Tung

Assistant Examiner — Darmawan Truong

(74) *Attorney, Agent, or Firm* — Studebaker & Brackett PC

(57) **CLAIM**

The ornamental design for a display screen or portion thereof with animated graphical user interface, as shown and described.

DESCRIPTION

FIG. 1. is a first image of a display screen or portion thereof with animated graphical user interface showing our new design;

FIG. 2. is a second image thereof;

FIG. 3. is a third image thereof;

FIG. 4. is a fourth image thereof;

FIG. 5. is a fifth image thereof;

FIG. 6. is a sixth image thereof;

FIG. 7. is a seventh image thereof;

FIG. 8. is an eighth image thereof;

FIG. 9. is a ninth image thereof;

FIG. 10. is a tenth image thereof;

FIG. 11. is an eleventh image thereof;

FIG. 12. is a twelfth image thereof;

FIG. 13 is a first image of a second embodiment thereof;

FIG. 14 is a second image thereof;

FIG. 15 is a third image thereof;

FIG. 16 is a fourth image thereof;

FIG. 17 is a fifth image thereof;

FIG. 18 is a sixth image thereof;

FIG. 19 is a seventh image thereof;

FIG. 20 is an eighth image thereof;

FIG. 21 is a ninth image thereof;

FIG. 22 is a tenth image thereof;

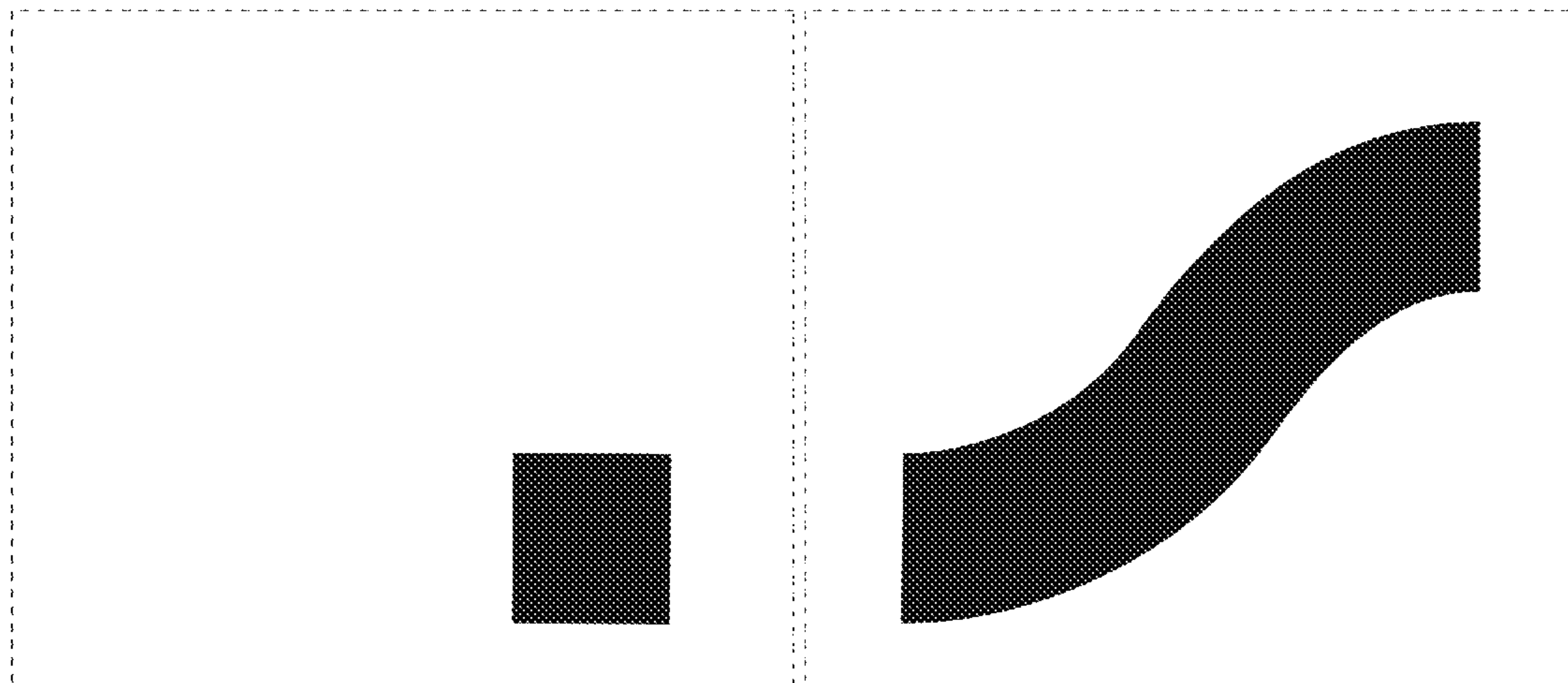
FIG. 23 is an eleventh image thereof; and,

FIG. 24 is a twelfth image thereof.

The appearance of the animated image sequentially transitions between the images shown in FIGS. 1-12 and FIGS. 13-24. The process or period in which one image transitions to another image forms no part of the claimed design.

The broken lines showing a display screen or portion thereof form no part of the claimed design. The remaining broken

(Continued)



lines showing portions of the animated graphical user interface in FIGS. 13-24 form no part of the claimed design.

1 Claim, 24 Drawing Sheets

(58) **Field of Classification Search**

CPC G06F 3/48; G06F 3/0481; G06F 3/04812; G06F 3/04815; G06F 3/04817; G06F 3/0482; G06F 3/0483; G06F 3/0484; G06F 3/04842; G06F 3/04845; G06F 3/04847; G06F 3/0485; G06F 3/0486; G06F 3/0487; G06F 3/0488; G06F 3/04883; G06F 3/04886

See application file for complete search history.

(56)

References Cited

U.S. PATENT DOCUMENTS

D564,535	S *	3/2008	Sadler	D14/487
D575,795	S *	8/2008	Nathan	D14/487
D601,575	S *	10/2009	Arnell	D14/488
D638,028	S *	5/2011	Cook	D14/488
D658,203	S *	4/2012	Hally	D14/488
D683,750	S *	6/2013	Hally	D14/488
D703,690	S *	4/2014	MacCubbin	D14/488
D712,921	S *	9/2014	Pearson	D14/488
D732,571	S *	6/2015	Yamashita	D14/488

D739,872	S *	9/2015	Bang	D14/488
D741,898	S *	10/2015	Soegiono	D14/488
D744,526	S *	12/2015	Sanderson	D14/488
D746,856	S *	1/2016	Jiang	D14/488
D754,725	S *	4/2016	Butcher	D14/488
D763,301	S *	8/2016	Murillo	D14/488
D765,132	S *	8/2016	Murillo	D14/488
D775,658	S *	1/2017	Luo	D14/488
D798,886	S *	10/2017	Prophete	D14/485
D858,542	S *	9/2019	Forrest	D14/485
D887,442	S *	6/2020	Sakata	D14/489
2012/0109516	A1 *	5/2012	Miyazaki	G09B 29/102 701/428
2016/0158975	A1 *	6/2016	Suzuki	B29C 70/12 428/174
2017/0203685	A1 *	7/2017	Hirai	B60Q 1/50
2017/0259734	A1 *	9/2017	Imaishi	B60Q 1/525

OTHER PUBLICATIONS

How to change dimensions of existing rectangle—SketchUp, <https://forums.sketchup.com/t/how-to-change-dimensions-of-existing-rectangle/35768> (Year: 2016).*

Introducing Vector Networks—Wallace, <https://medium.com/figma-design/introducing-vector-networks-3b877d2b864f> (Year: 2019).*

Things of math and science—Matthen, <https://web.archive.org/web/20121002032646/https://blog.matthen.com/post/32466959995/when-a-circle-isdrawn-out-the-angle-the-curve> (Year: 2012).*

* cited by examiner

FIG. 1

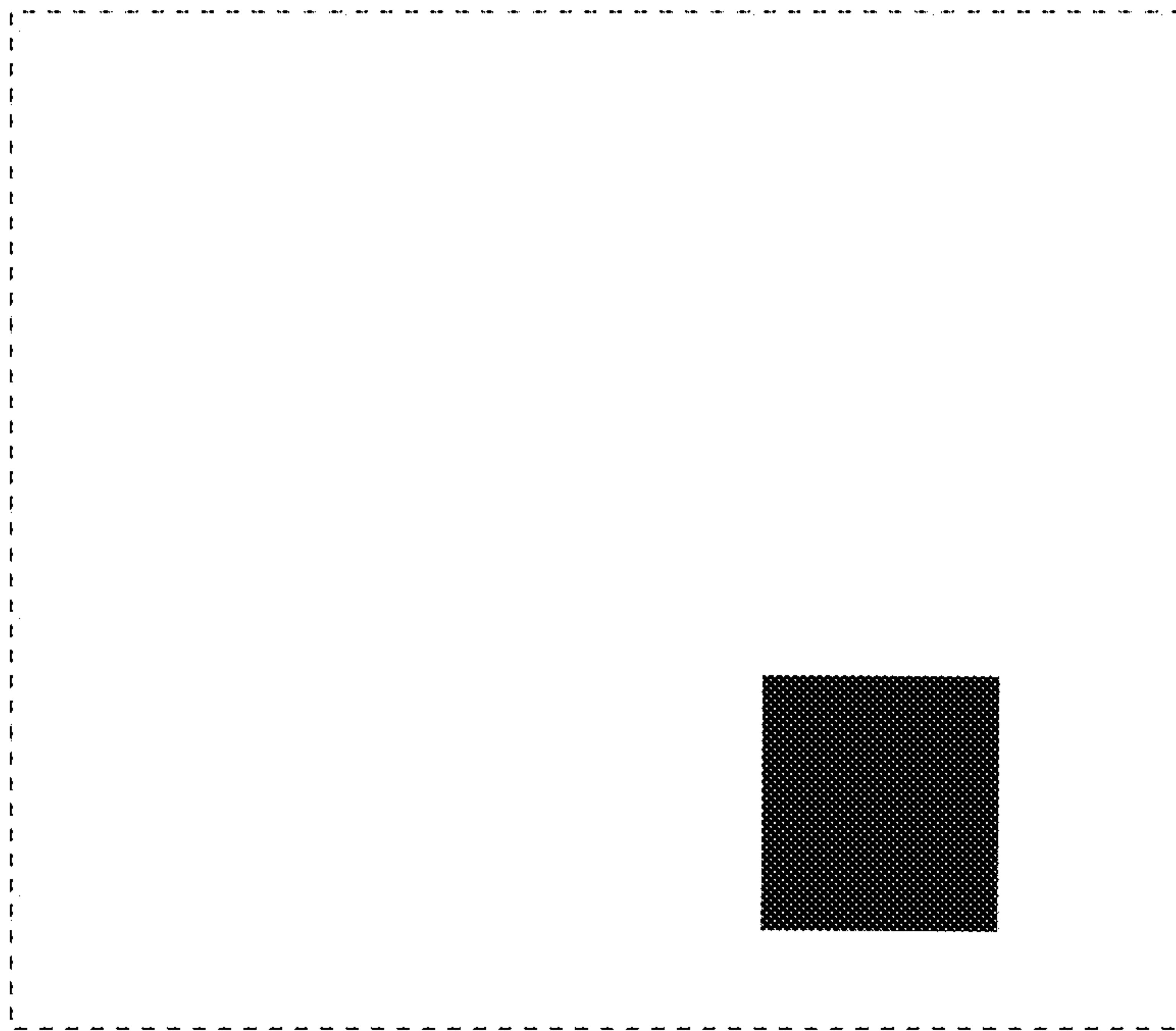


FIG. 2

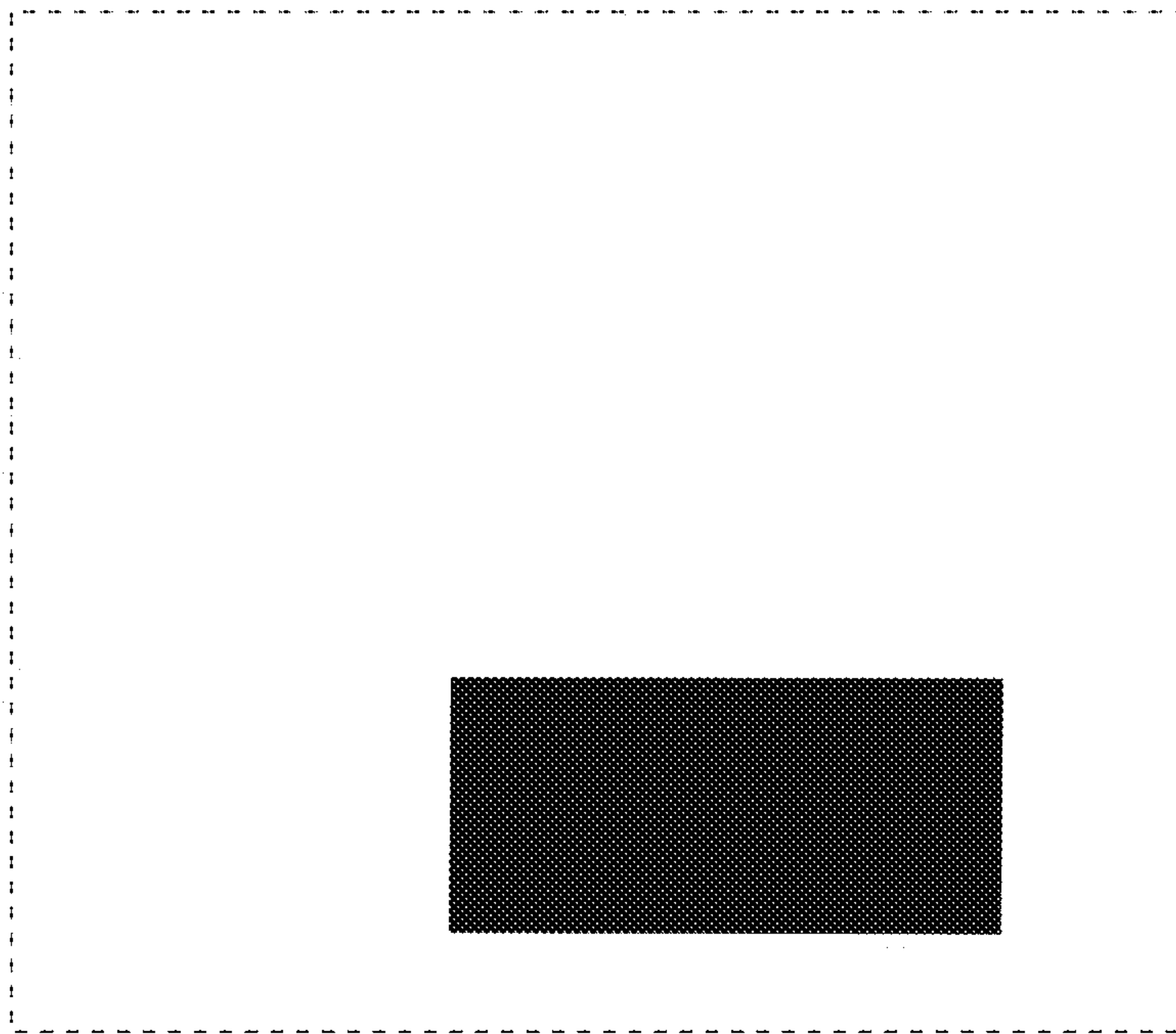


FIG. 3

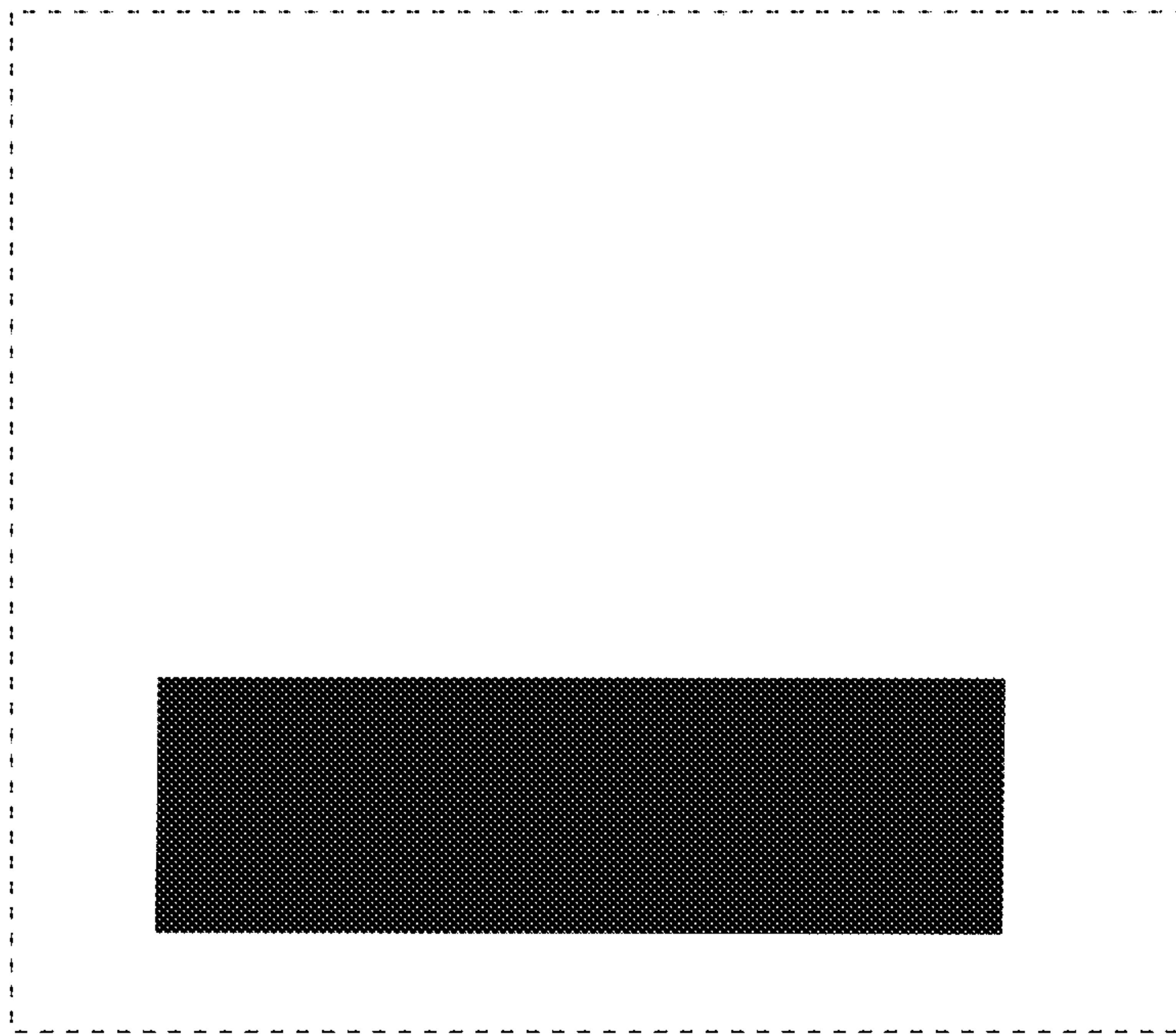


FIG. 4

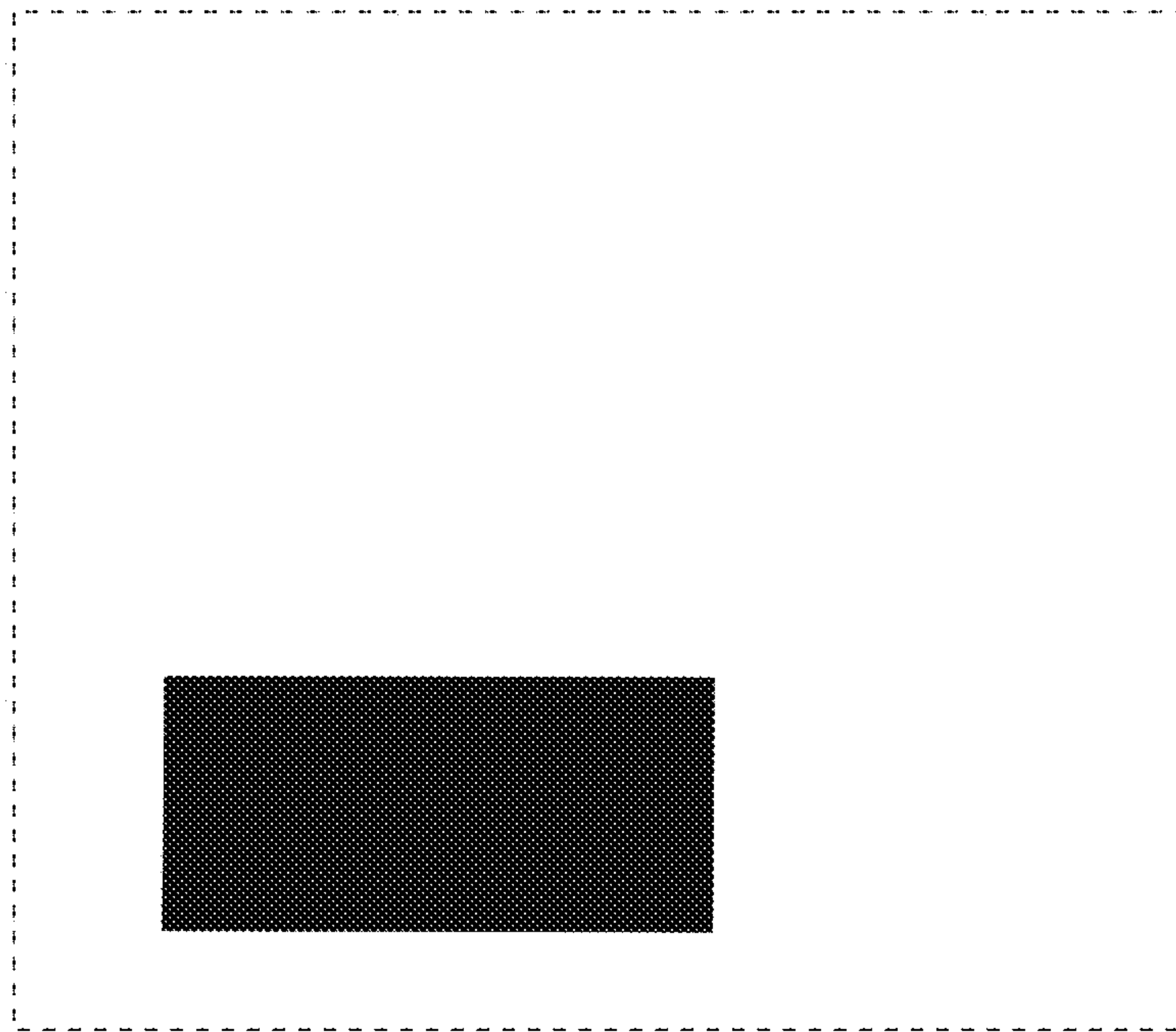


FIG. 5

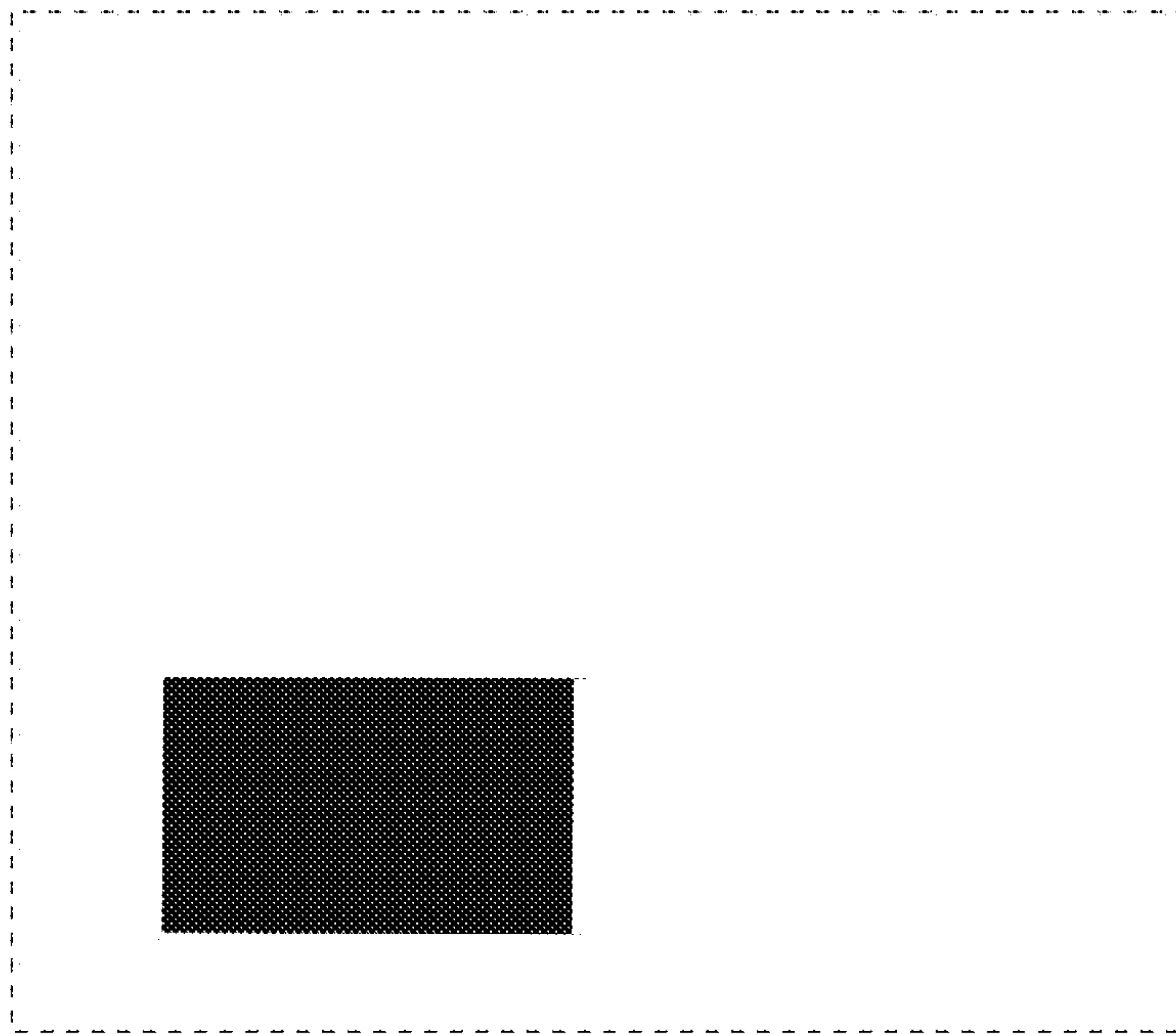


FIG. 6

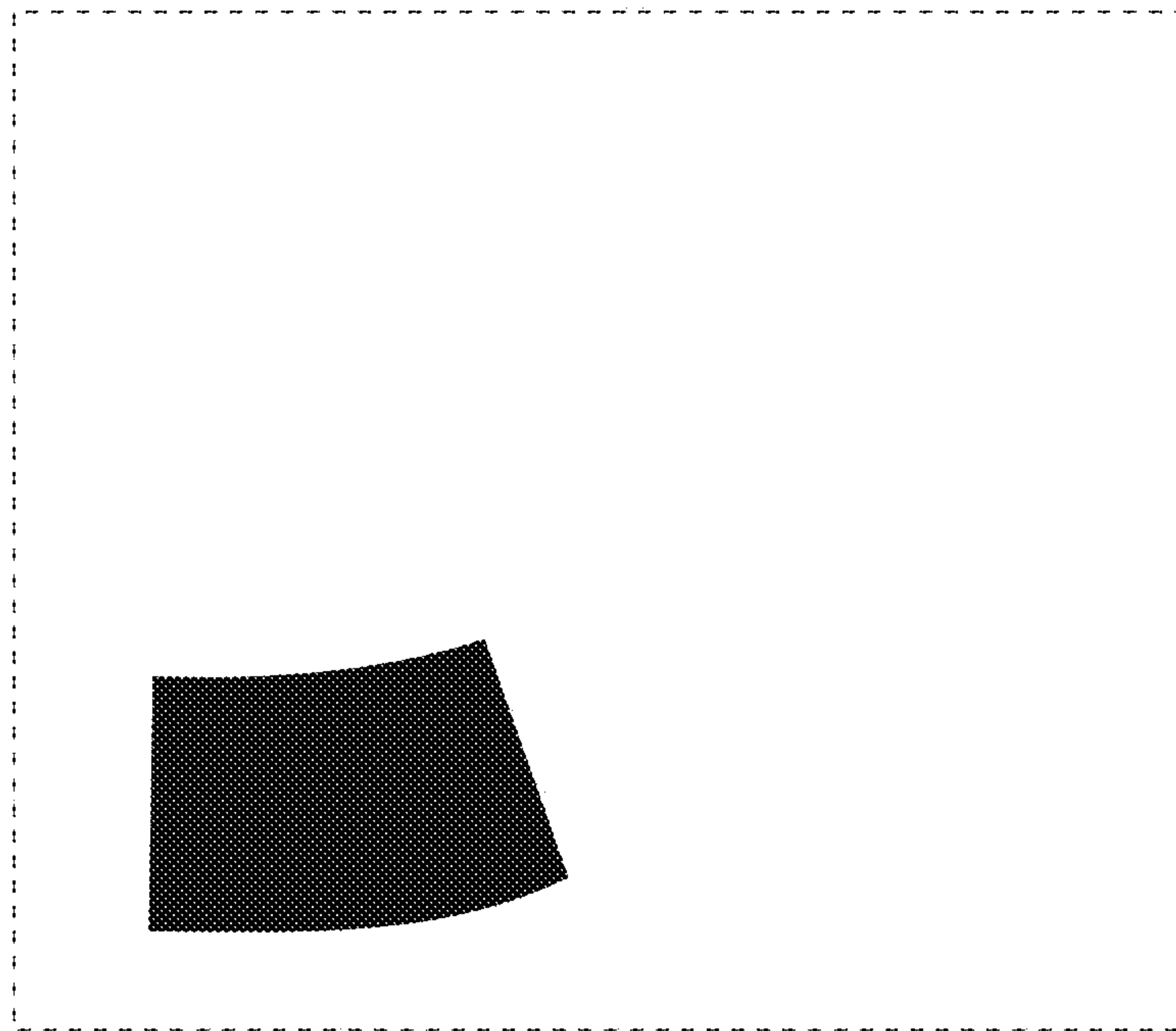


FIG. 7

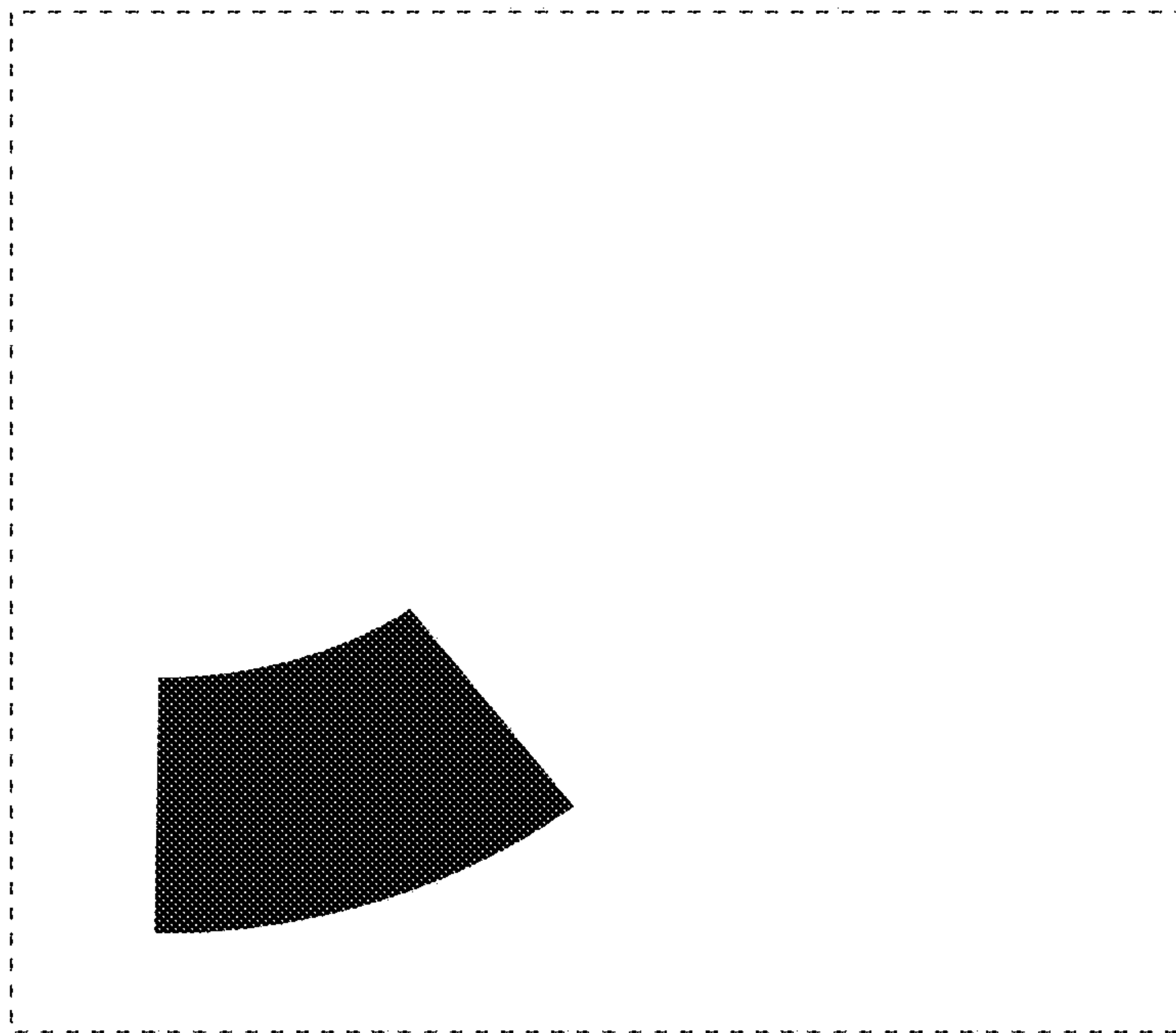


FIG. 8

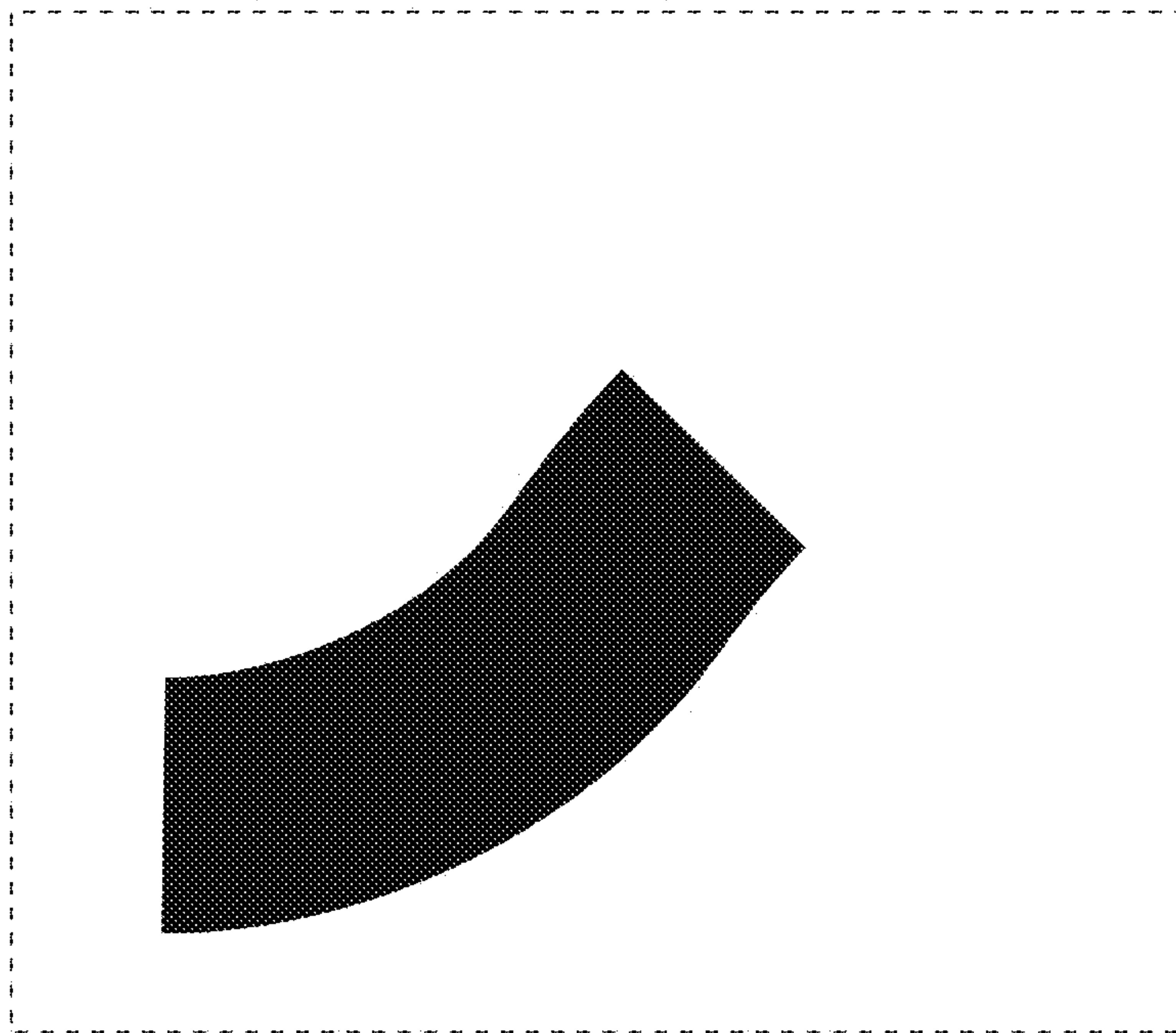


FIG. 9

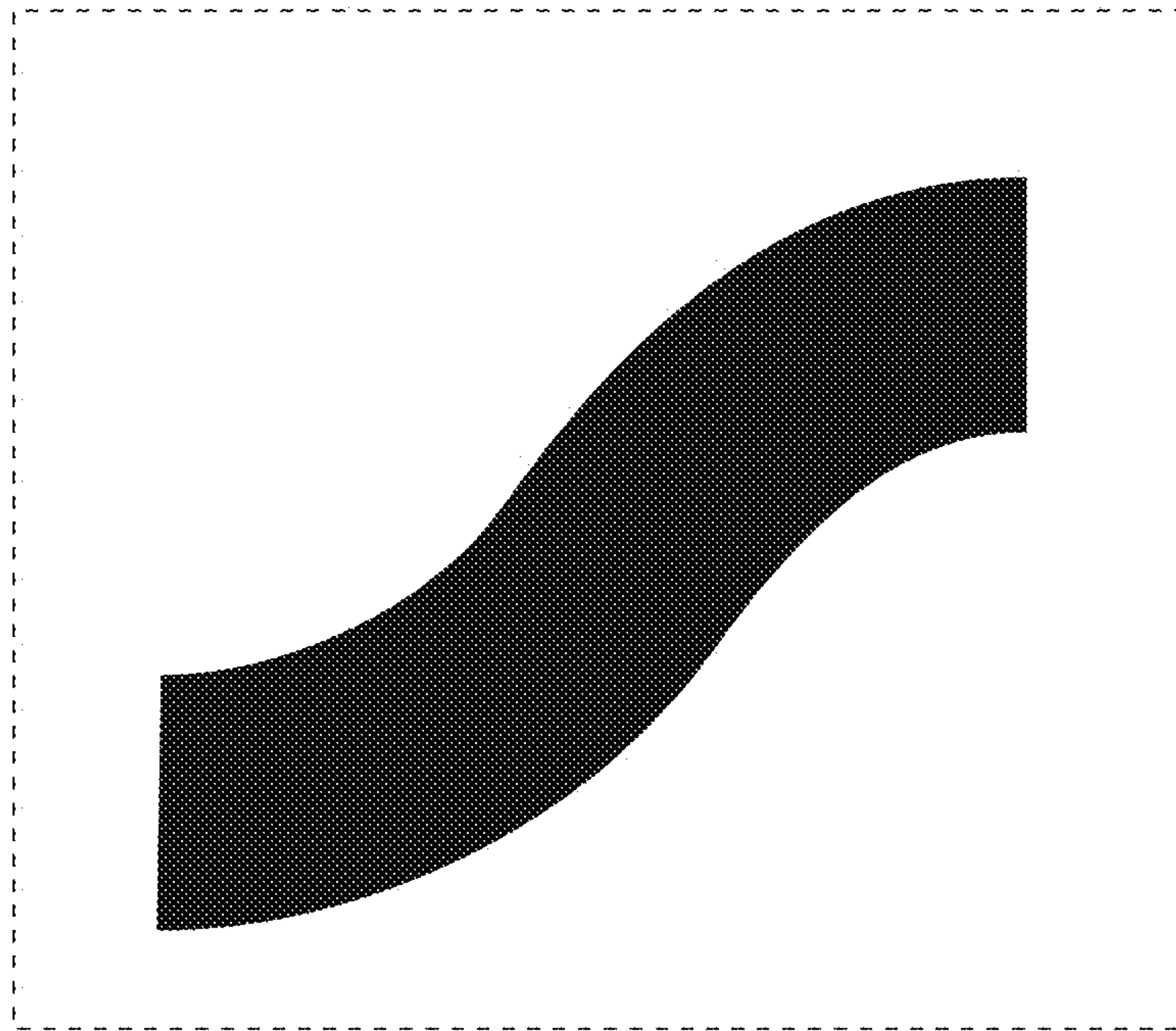


FIG. 10

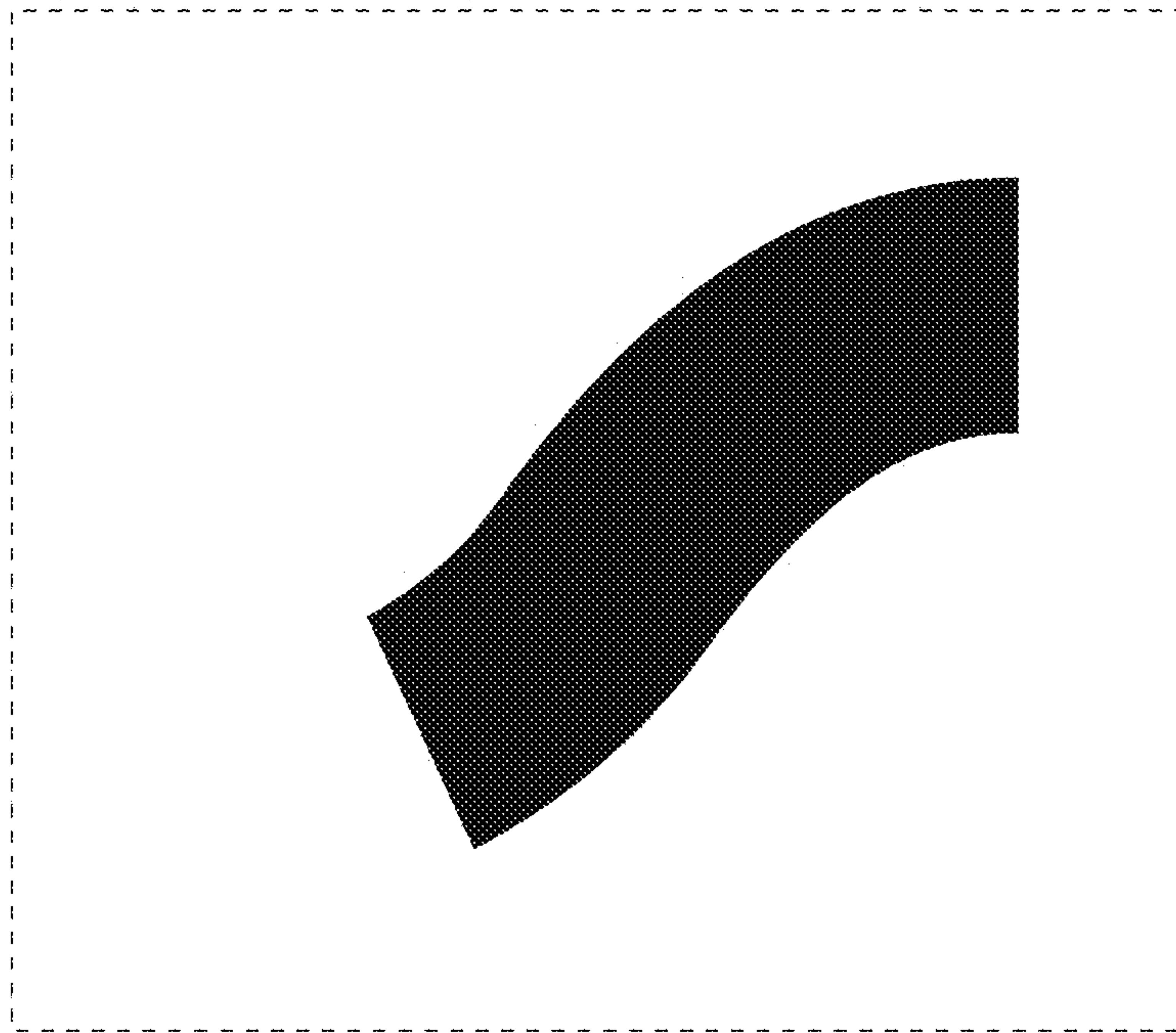


FIG. 11

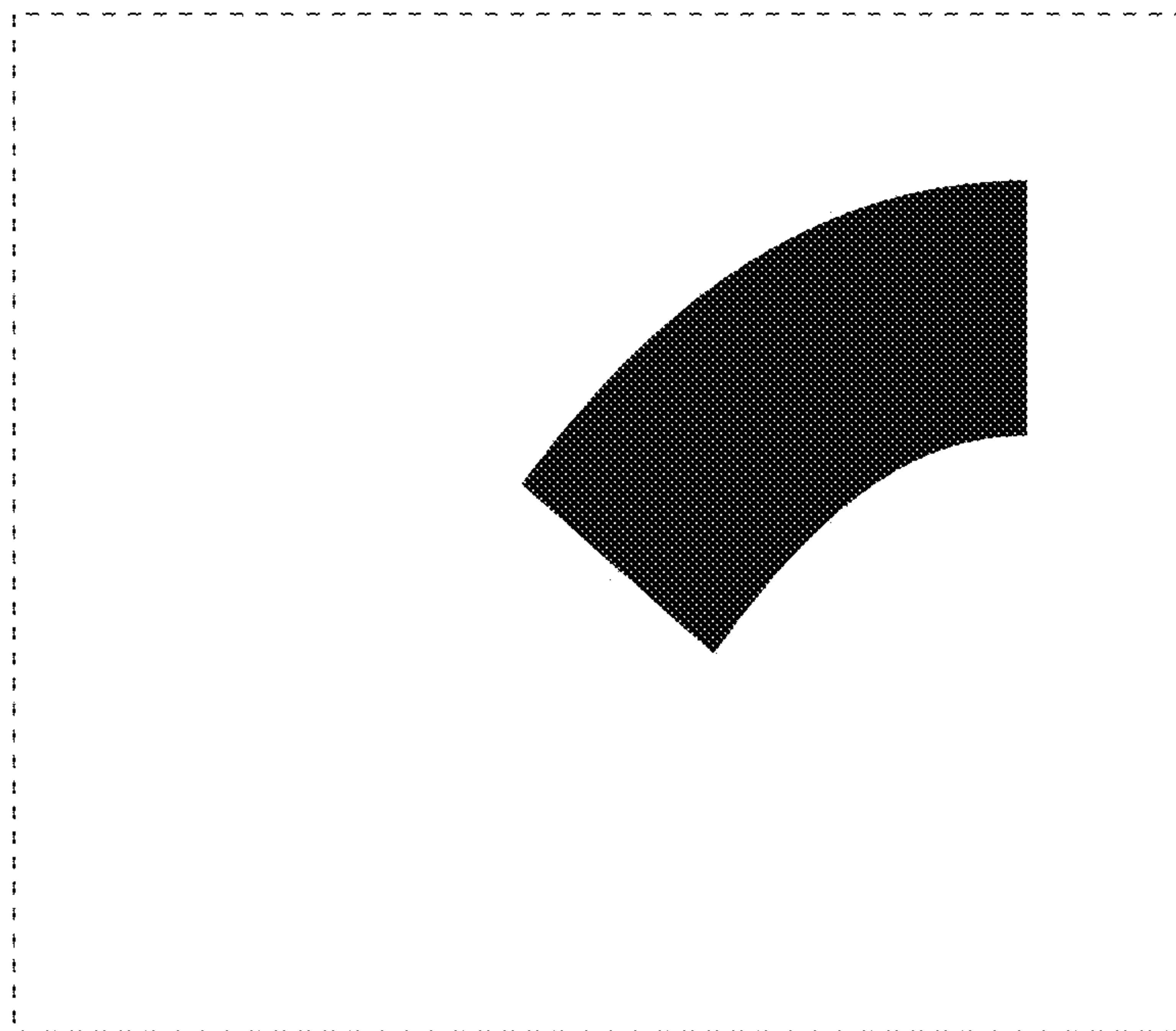


FIG. 12

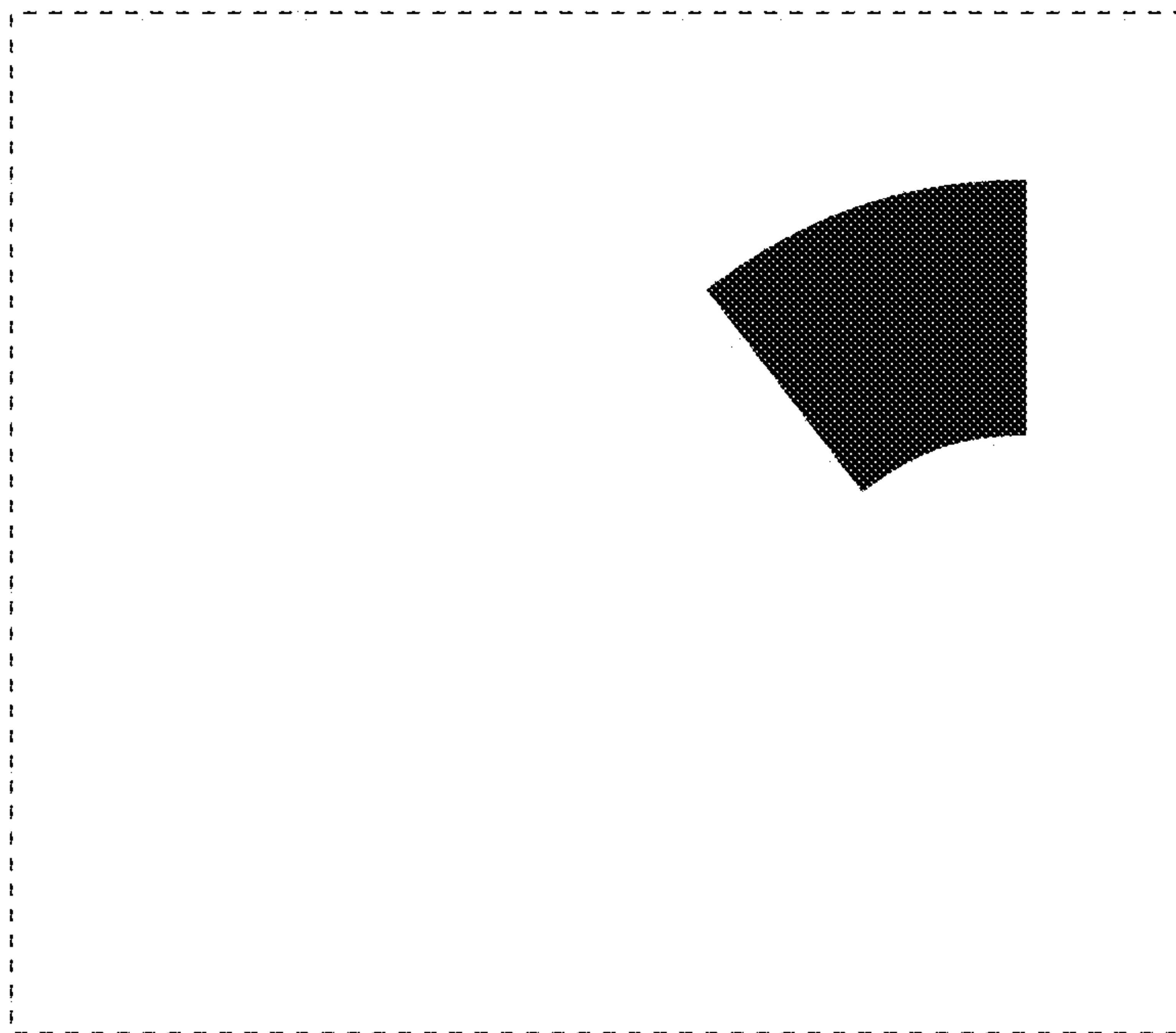


FIG. 13

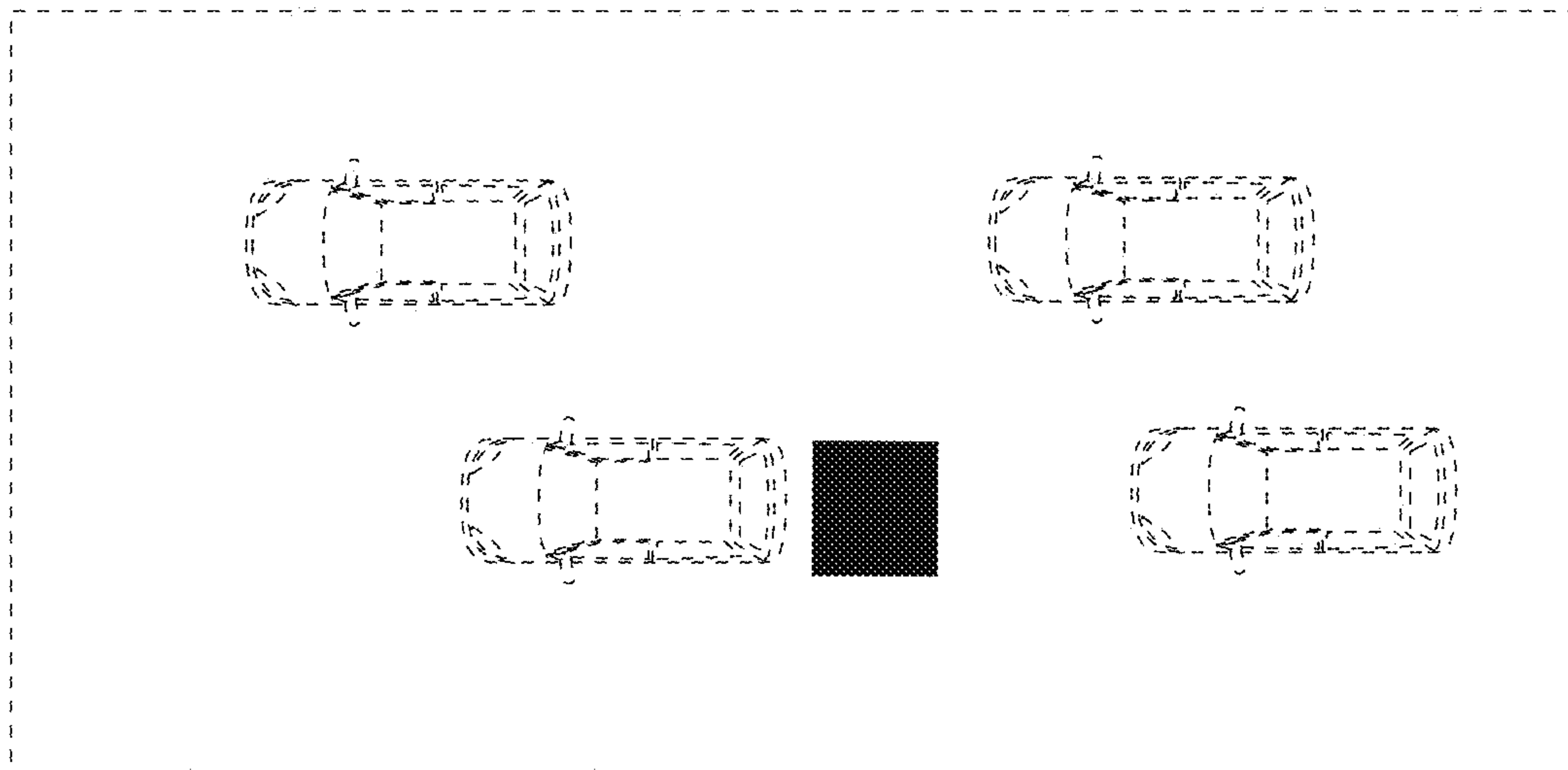


FIG. 14

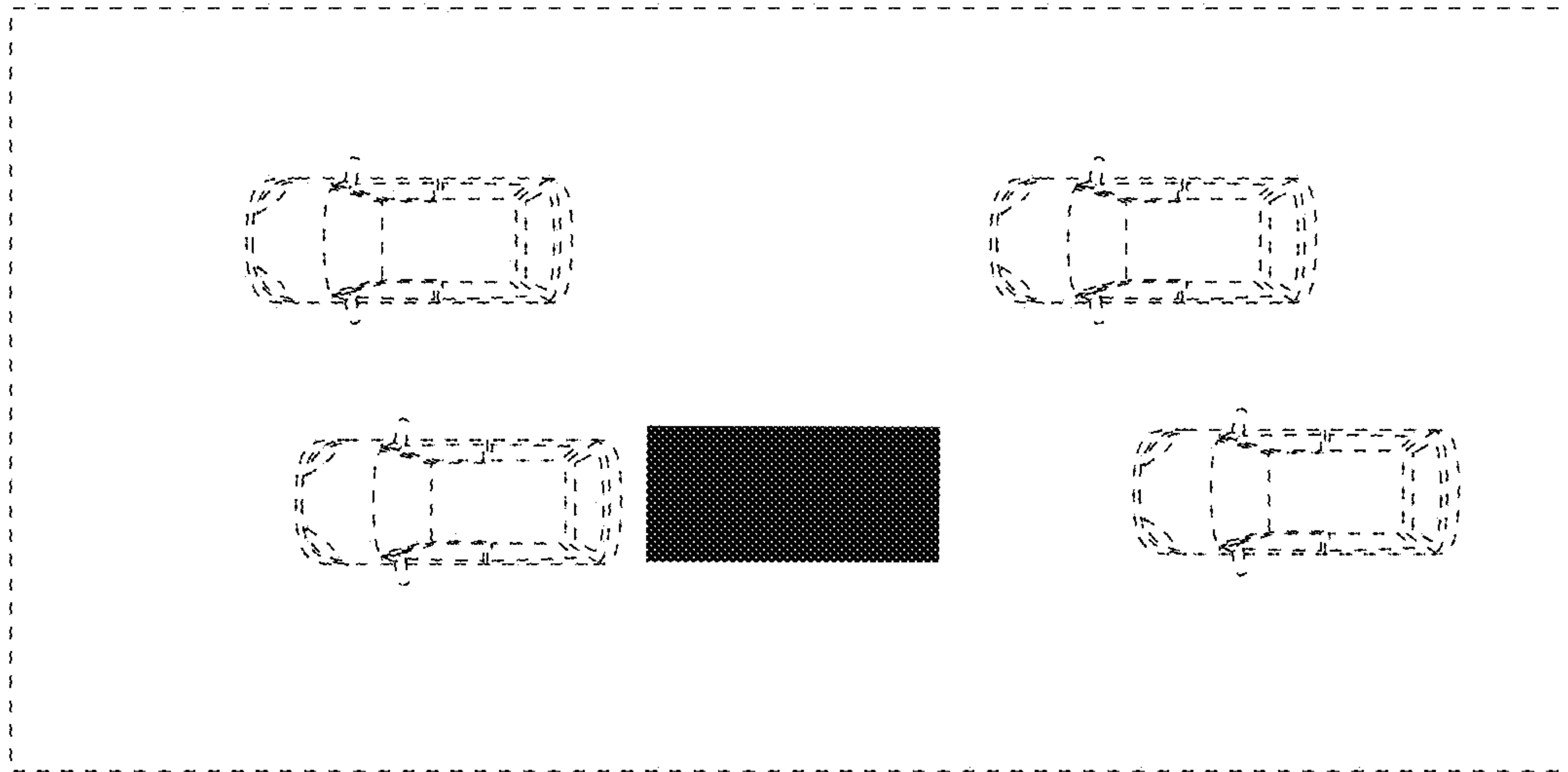


FIG. 15

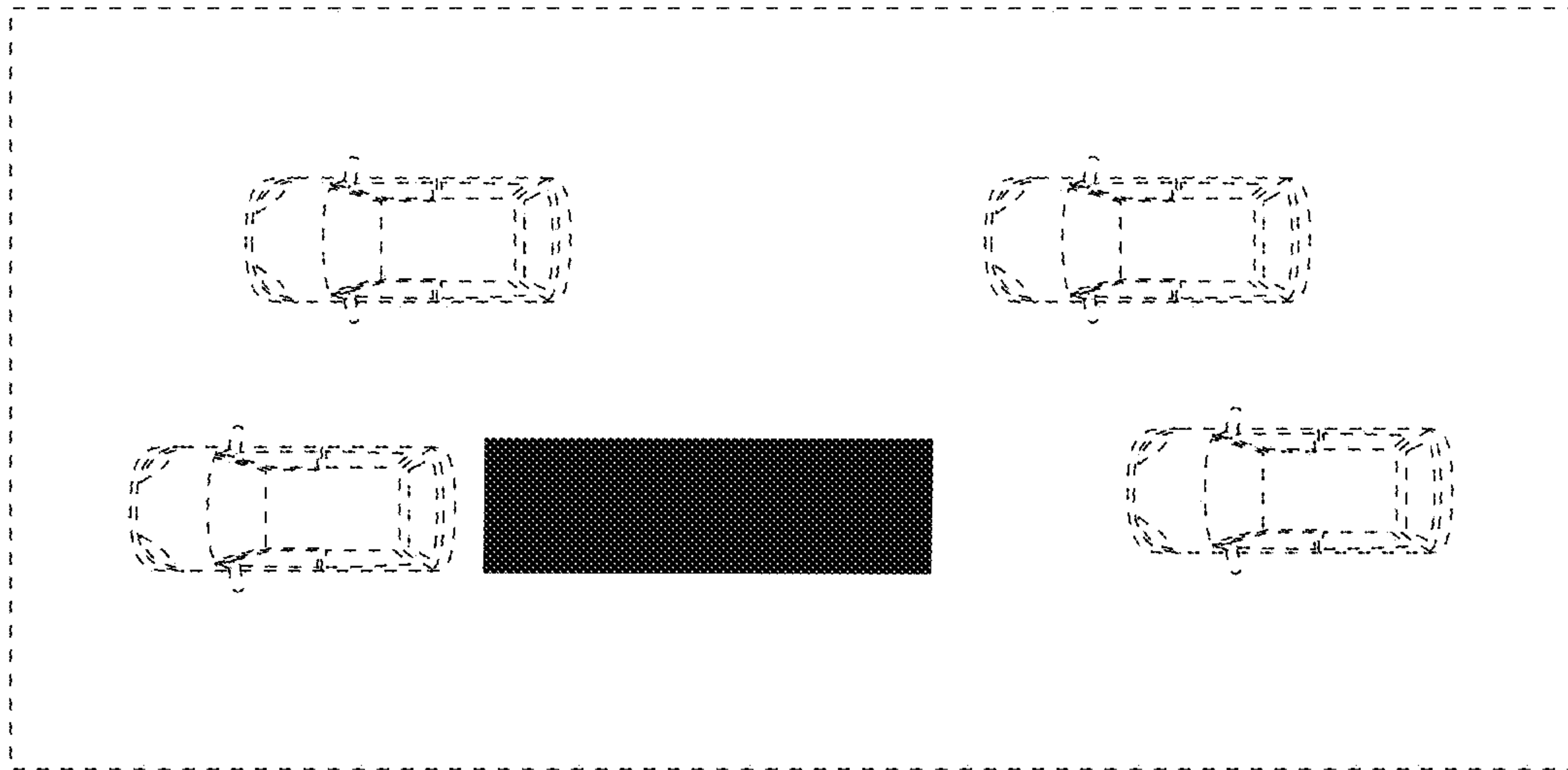


FIG. 16

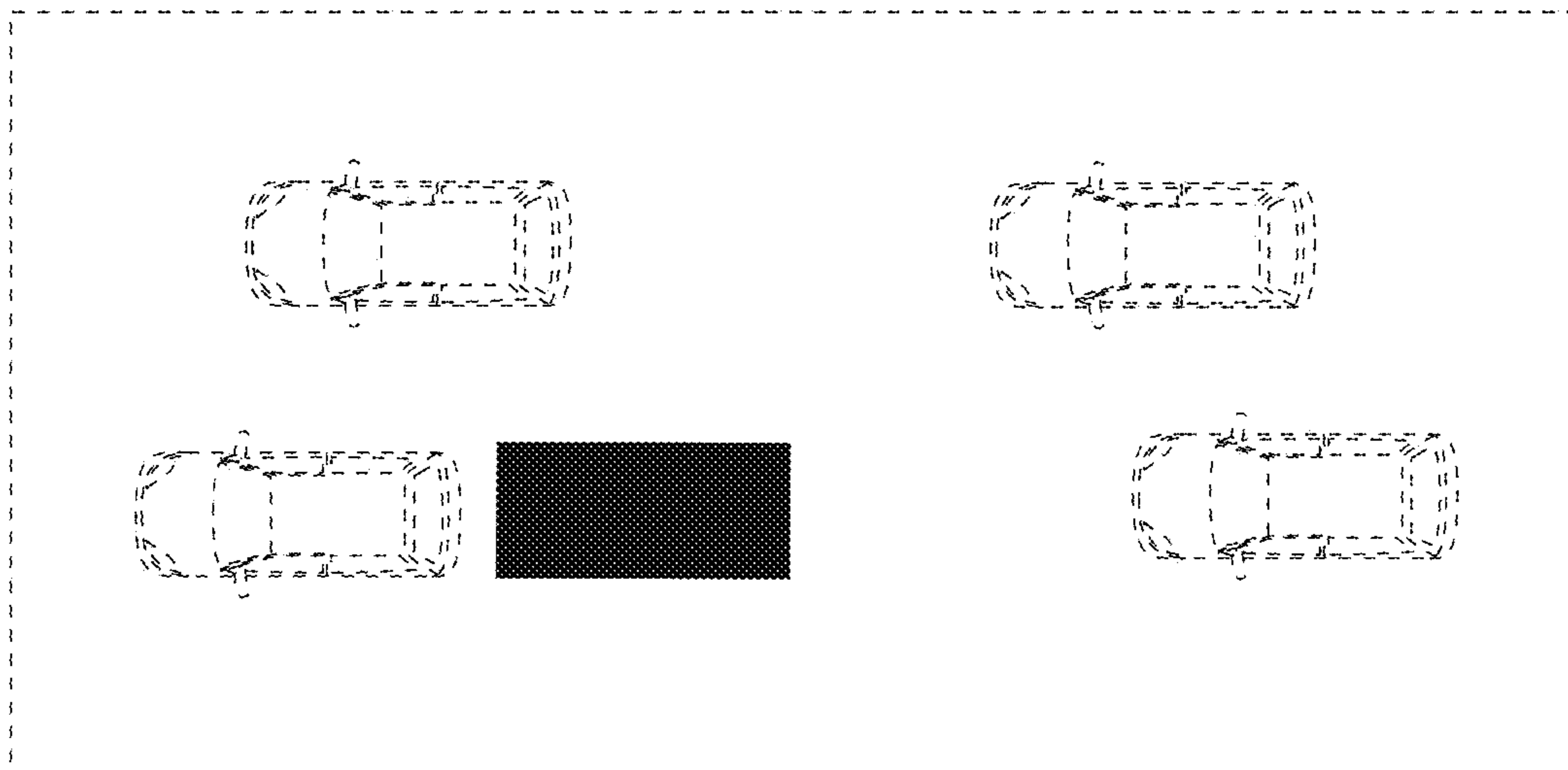


FIG. 17

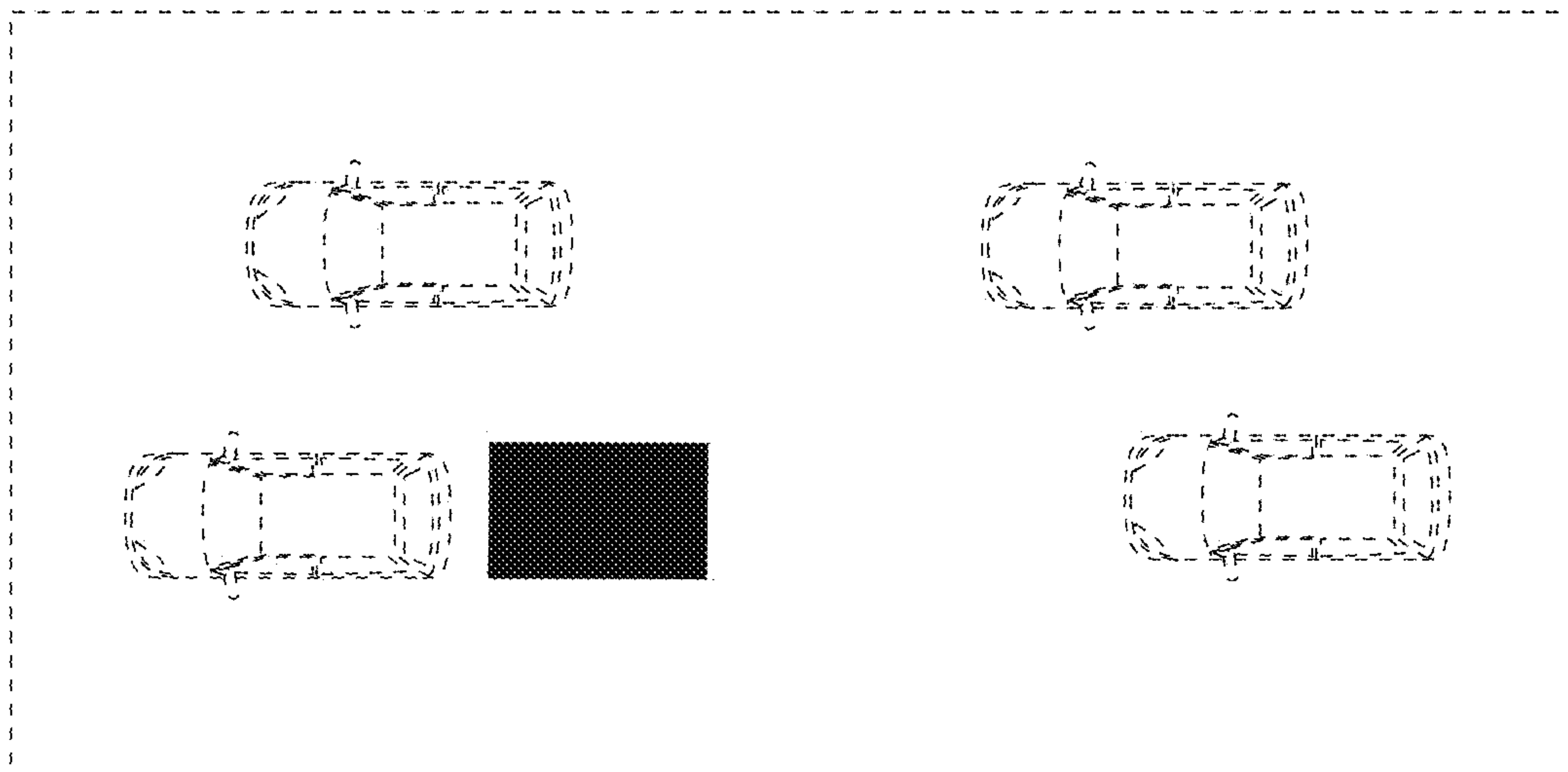


FIG. 18

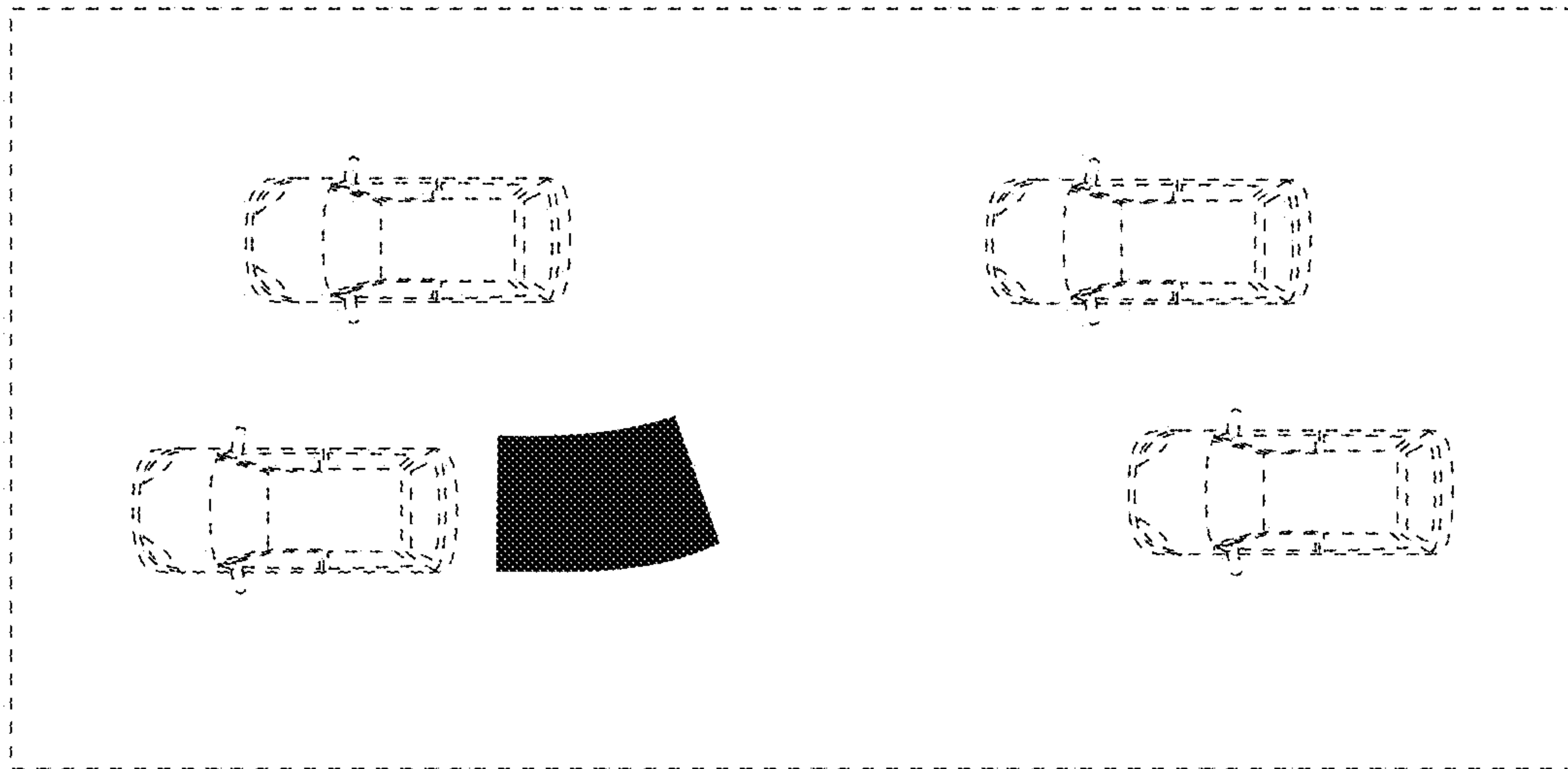


FIG. 19

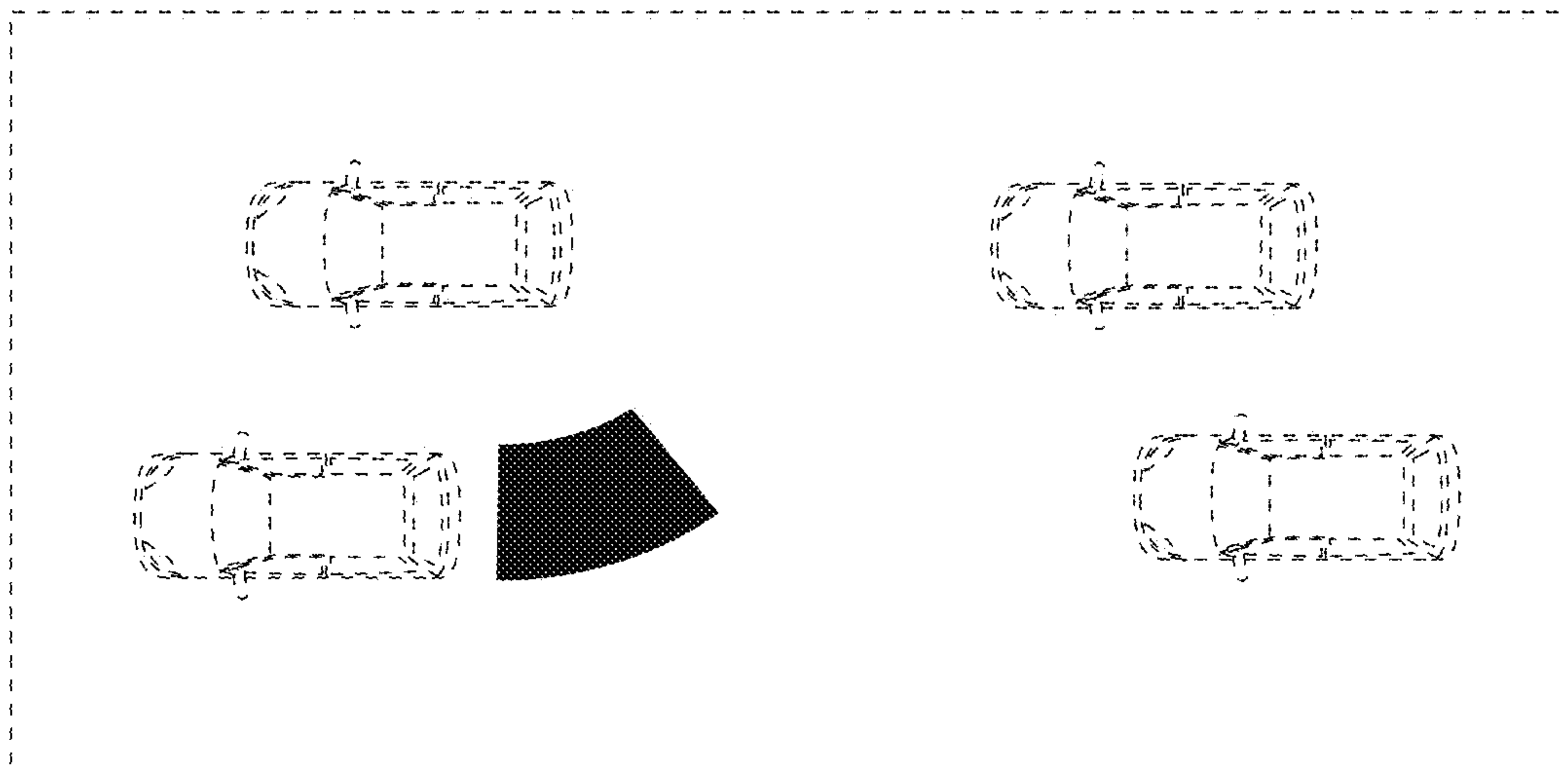


FIG. 20

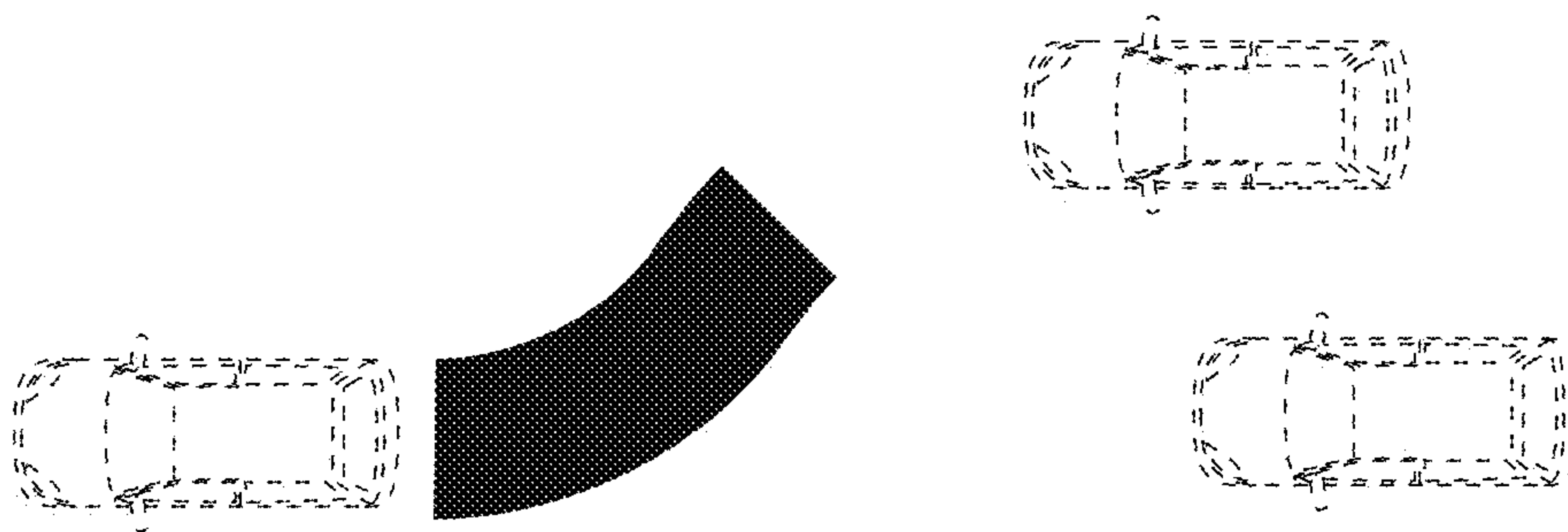


FIG. 21

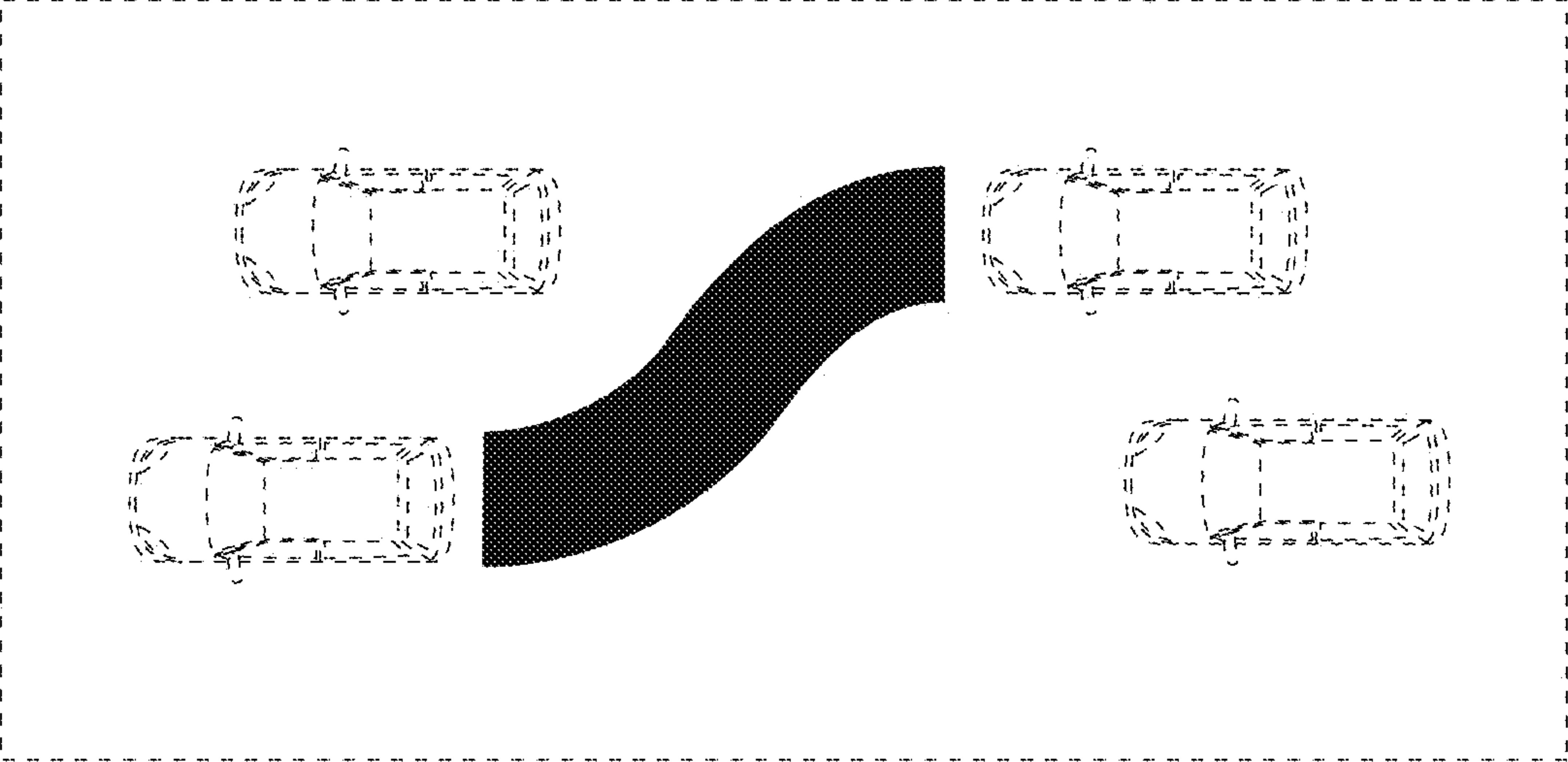


FIG. 22

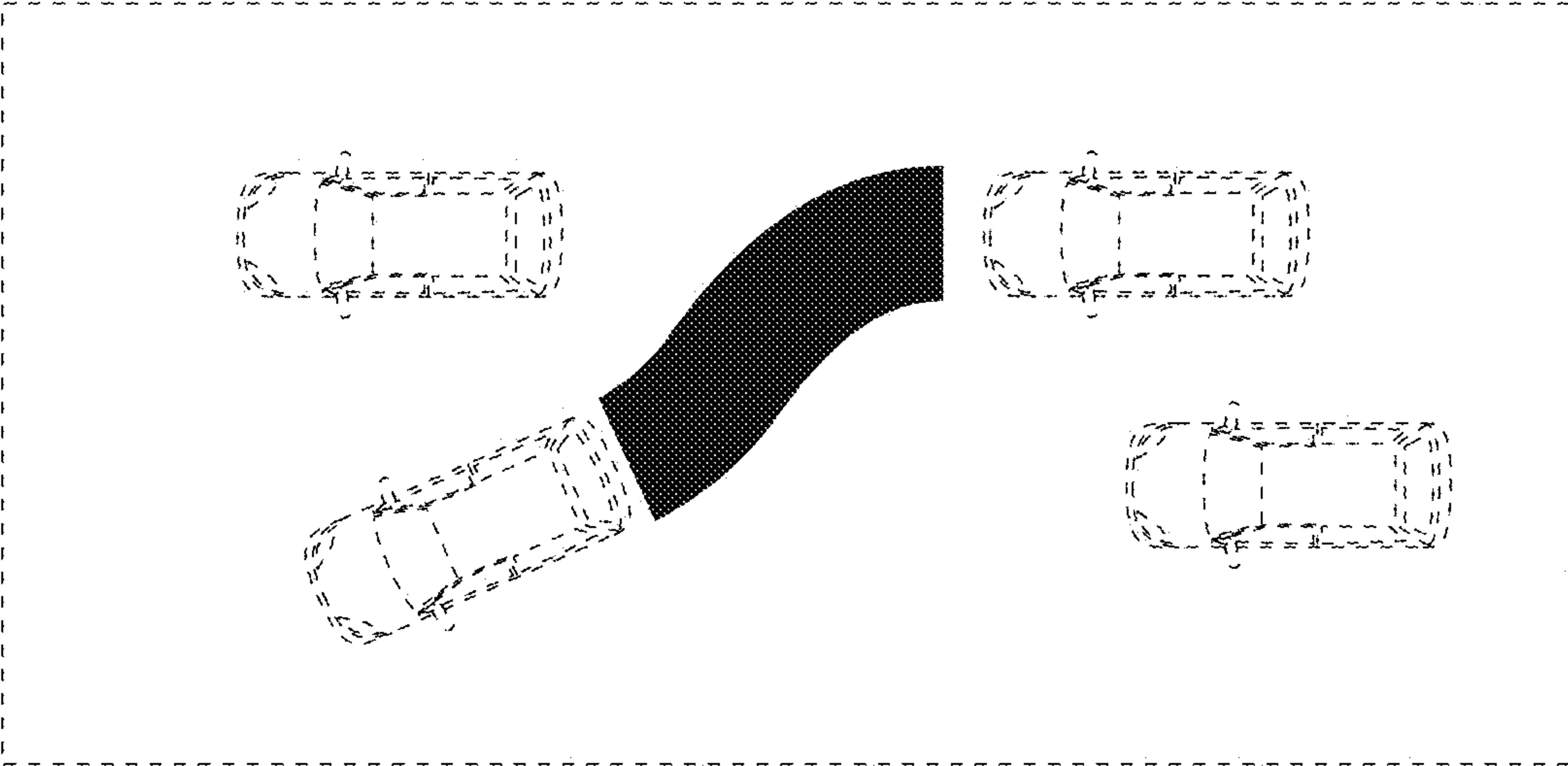


FIG. 23

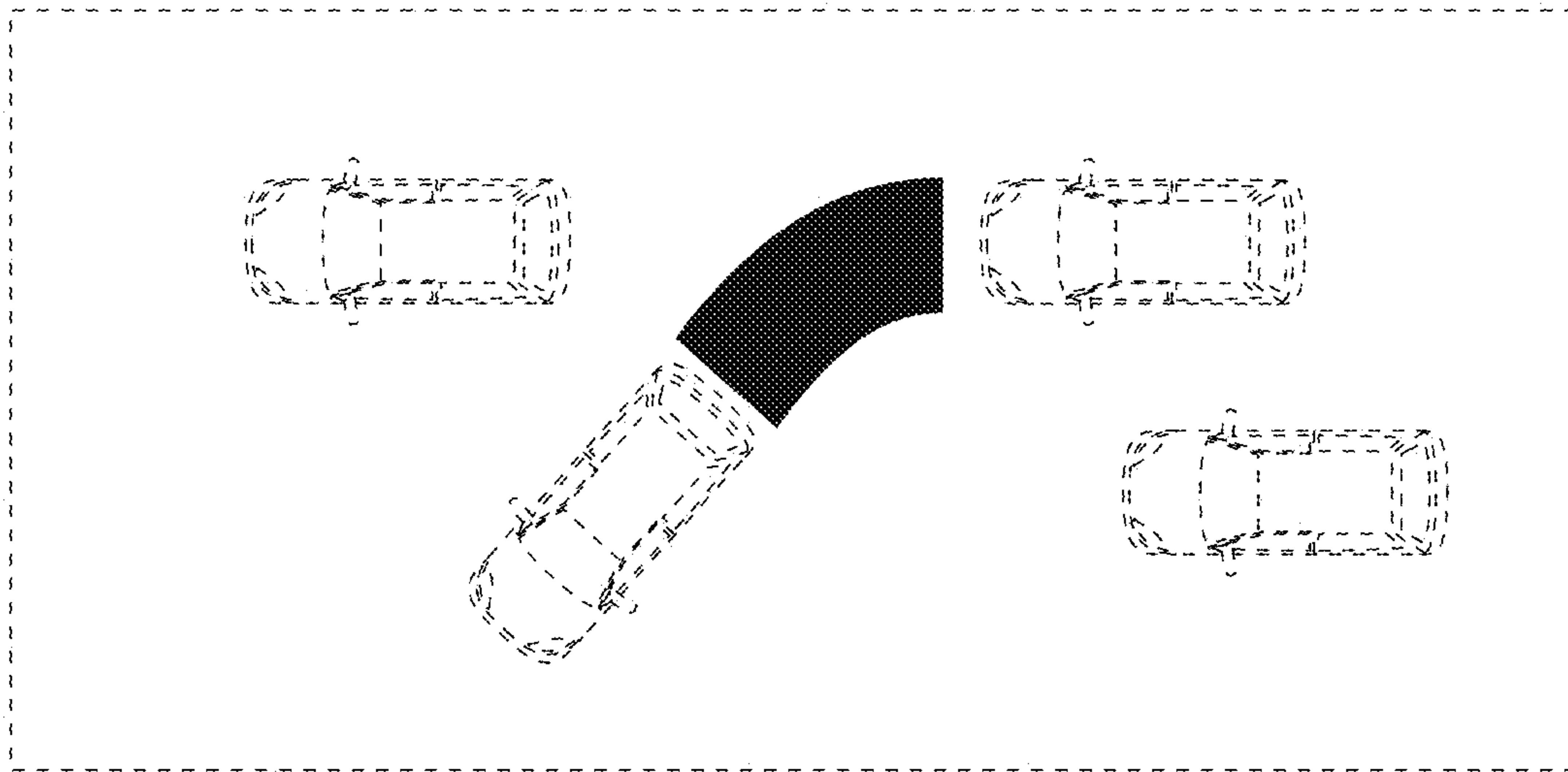


FIG. 24

