



US00D947205S

(12) **United States Design Patent**  
**Wang**

(10) **Patent No.:** **US D947,205 S**  
(45) **Date of Patent:** **\*\* Mar. 29, 2022**

(54) **MEMORY CARD**

(71) Applicant: **Beijing Landwell Electron Technology Co., Ltd, Beijing (CN)**

(72) Inventor: **Bing Wang, Beijing (CN)**

(73) Assignee: **Beijing Landwell Electron Technology Co., Ltd, Beijing (CN)**

(\*\*) Term: **15 Years**

(21) Appl. No.: **29/733,483**

(22) Filed: **May 4, 2020**

(30) **Foreign Application Priority Data**

Apr. 8, 2020 (EM) ..... 007797667

(51) **LOC (13) Cl.** ..... **14-03**

(52) **U.S. Cl.**  
USPC ..... **D14/480.1**

(58) **Field of Classification Search**  
USPC ..... D14/480.1-480.7, 435.1, 411, 433, 436,  
D14/484.1, 137, 155, 203.1-203.8, 240,  
D14/242, 496, 474; D13/133, 154  
CPC ..... H05K 5/0278; G06K 19/07732  
See application file for complete search history.

(56) **References Cited**

**U.S. PATENT DOCUMENTS**

D597,879 S \* 8/2009 Aikawa ..... D10/104.1  
D620,016 S \* 7/2010 Lo ..... D14/480.6

D620,017 S \* 7/2010 Lo ..... D14/480.7  
D638,430 S \* 5/2011 Lee ..... D14/435.1  
D673,164 S \* 12/2012 Lin ..... D14/480.5  
D677,266 S \* 3/2013 Chen ..... D14/480.5  
D688,255 S \* 8/2013 Daniel ..... D14/480.4  
D724,602 S \* 3/2015 Lin ..... D14/480.5  
D725,123 S \* 3/2015 Lin ..... D14/480.5  
D774,038 S \* 12/2016 Emami ..... D14/480.1  
D892,812 S \* 8/2020 Cran ..... D14/480.7  
D908,710 S \* 1/2021 Zhou ..... D14/480.1  
D925,549 S \* 7/2021 Cran ..... D14/480.5

\* cited by examiner

*Primary Examiner* — Angela J Lee

(57) **CLAIM**

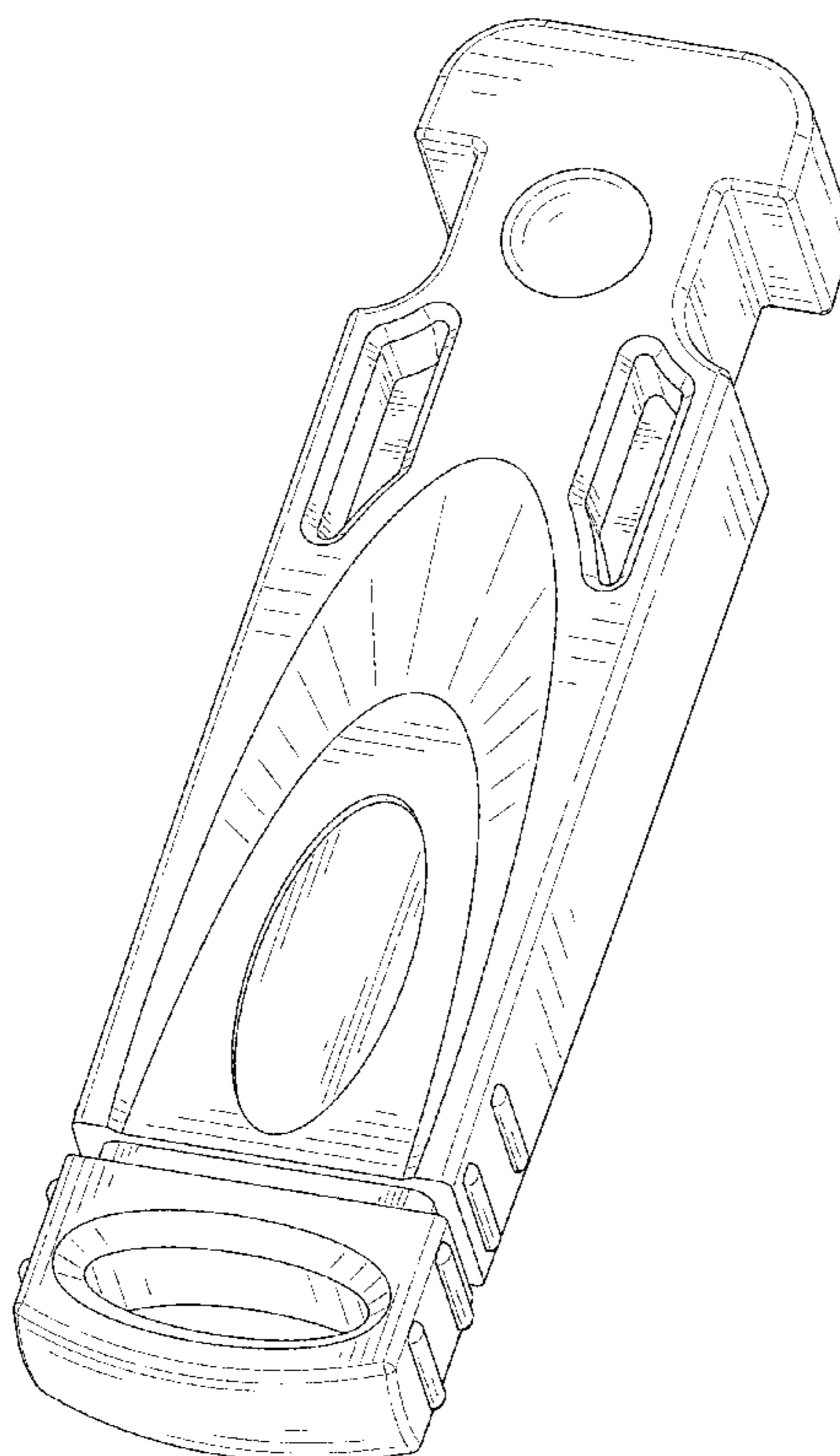
The ornamental design for a memory card, as shown and described.

**DESCRIPTION**

FIG. 1 is a bottom, front and right side perspective view of a memory card showing my new design; FIG. 2 is a top, rear and left side perspective view thereof; FIG. 3 is a front elevational view thereof; FIG. 4 is a rear elevational view thereof; FIG. 5 is a left side view thereof; FIG. 6 is a right side view thereof; FIG. 7 is a top plan view thereof; and, FIG. 8 is a bottom plan view thereof.

The broken lines in the drawings illustrate portions of the memory card which form no part of the claimed design.

**1 Claim, 8 Drawing Sheets**



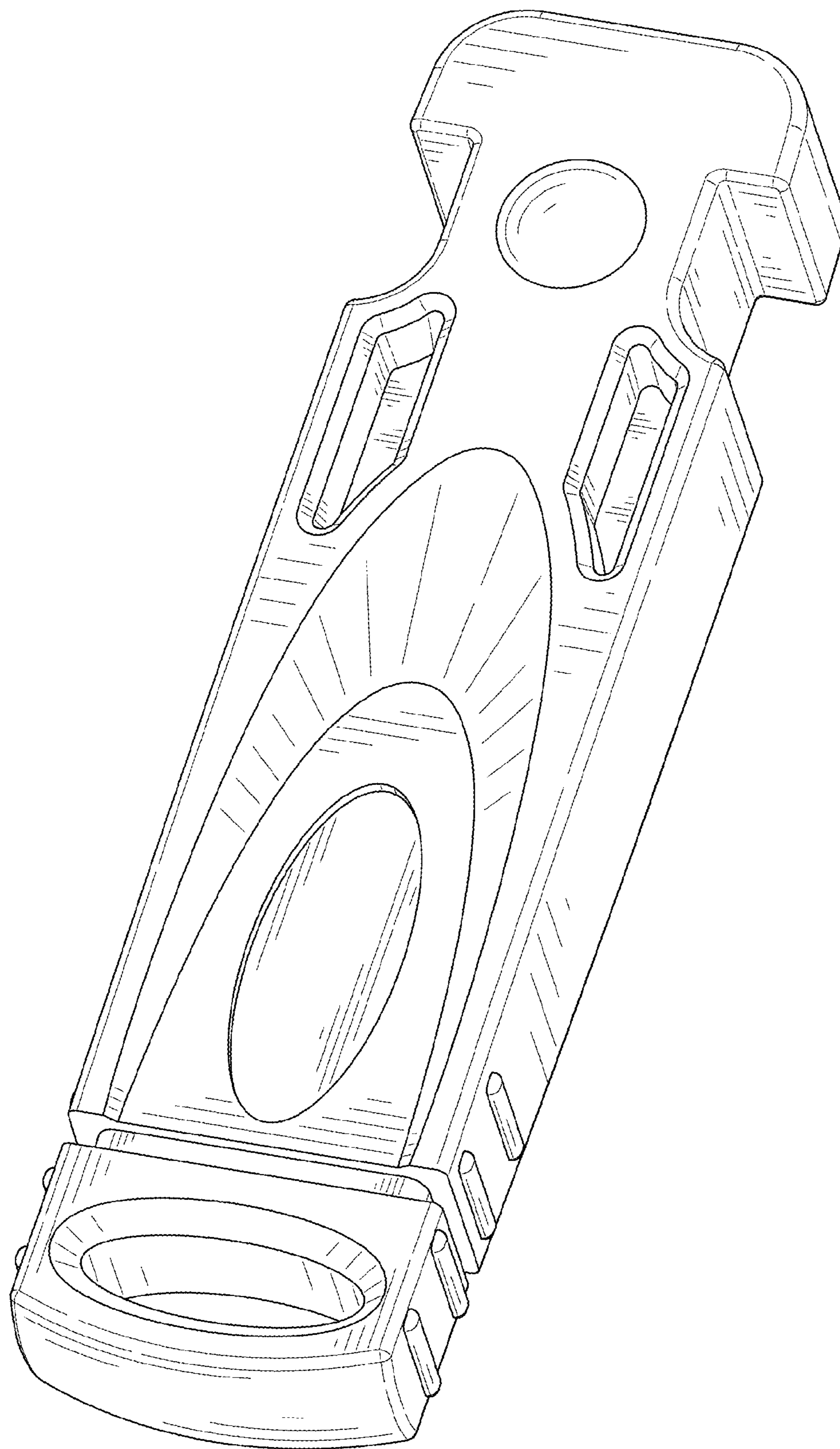


FIG. 1

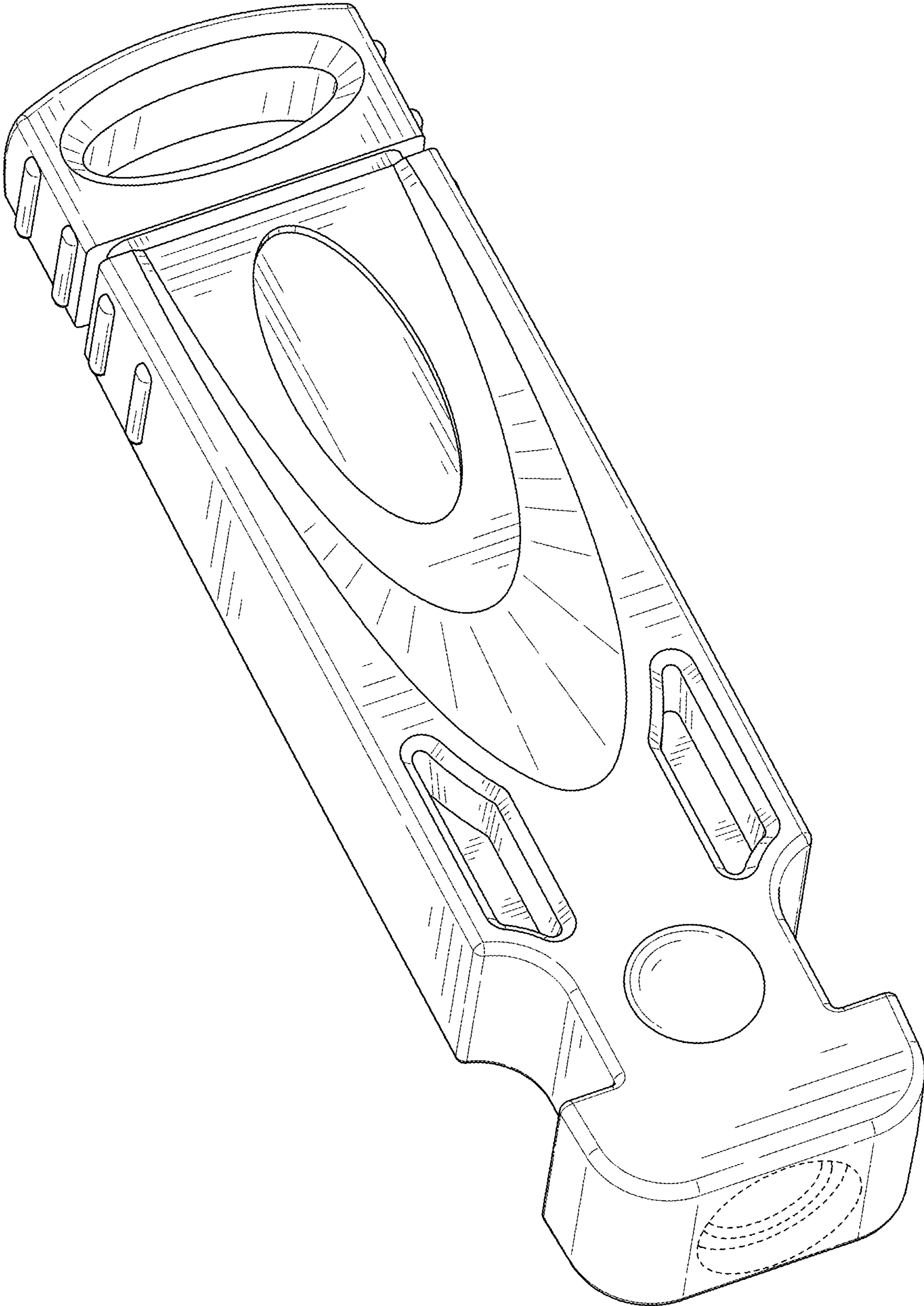


FIG. 2

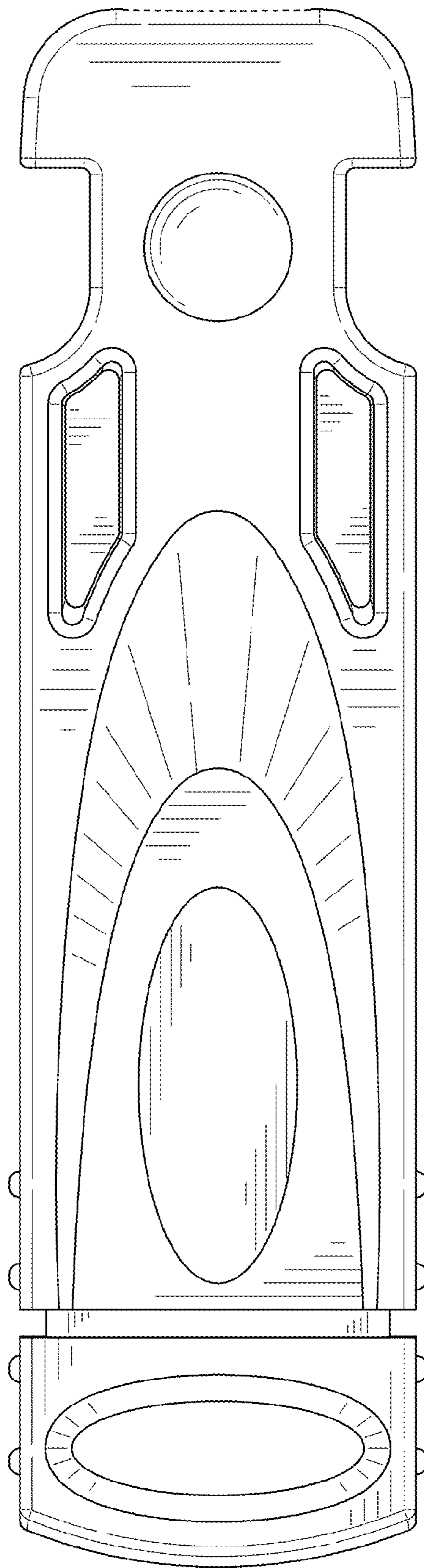


FIG. 3

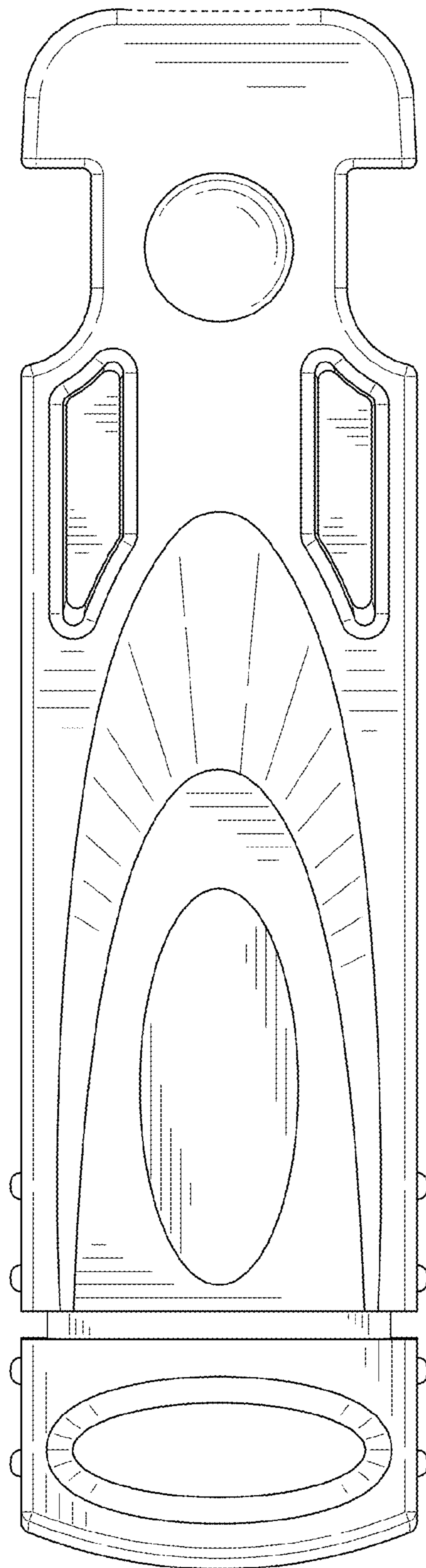


FIG. 4

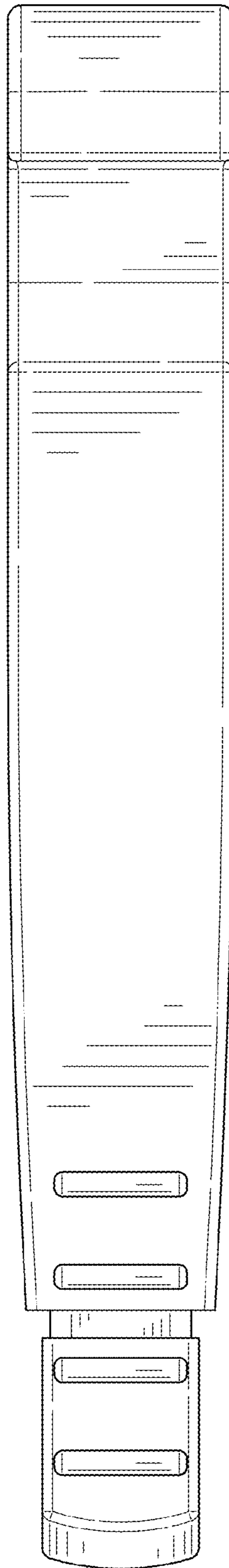


FIG. 5

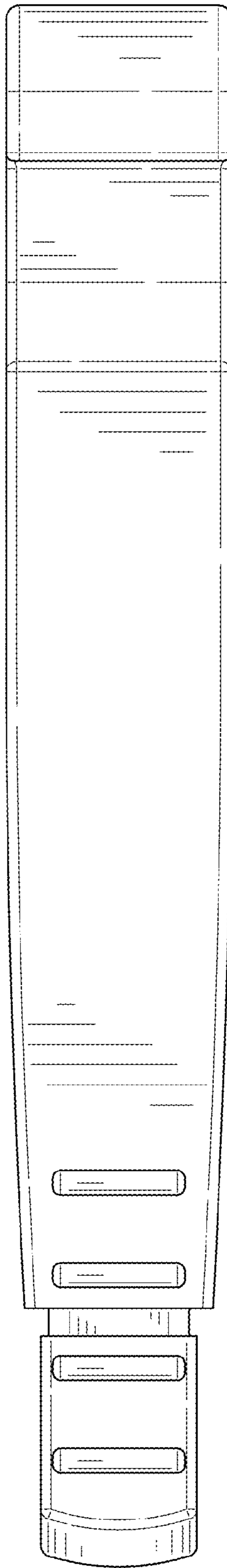


FIG. 6

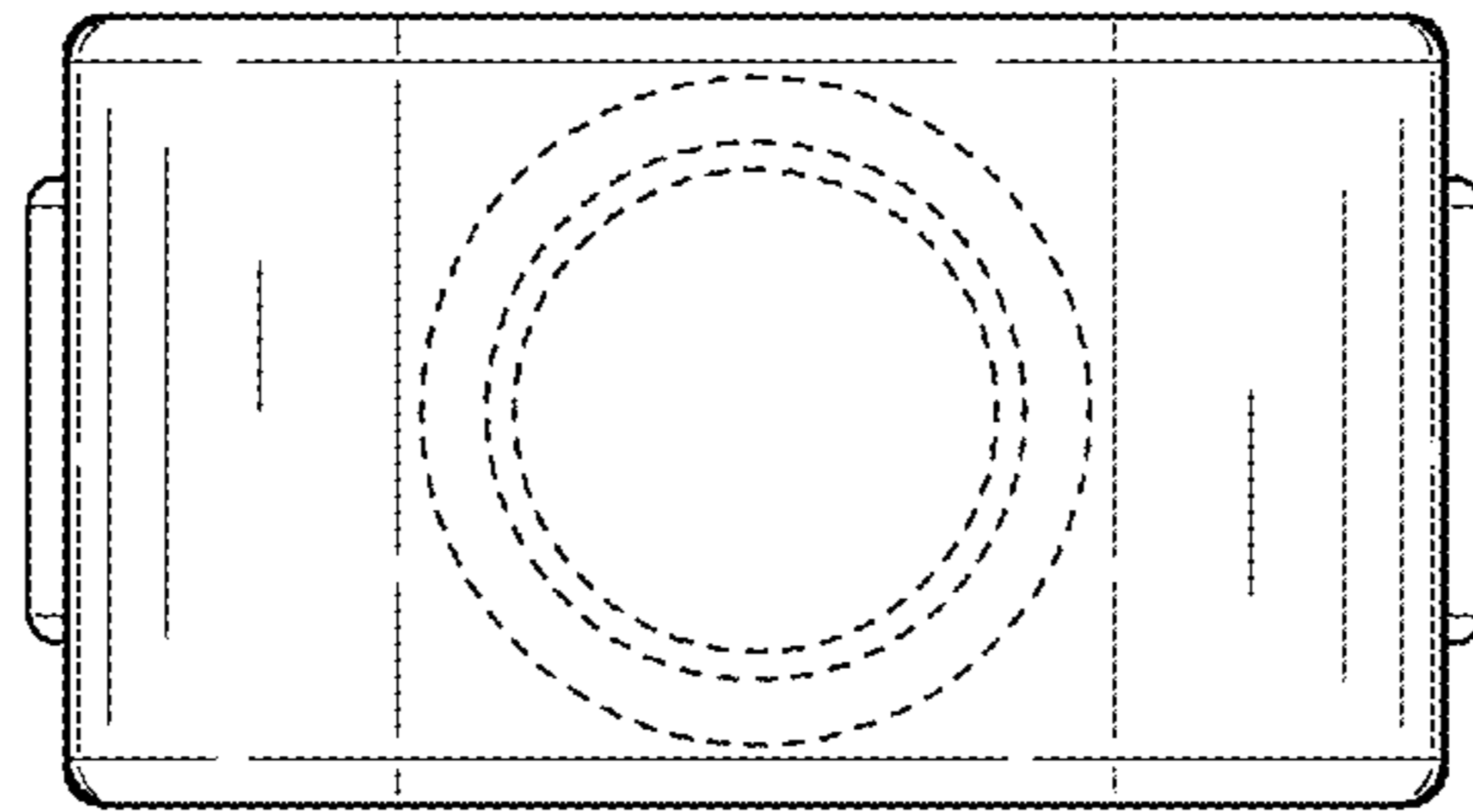


FIG. 7



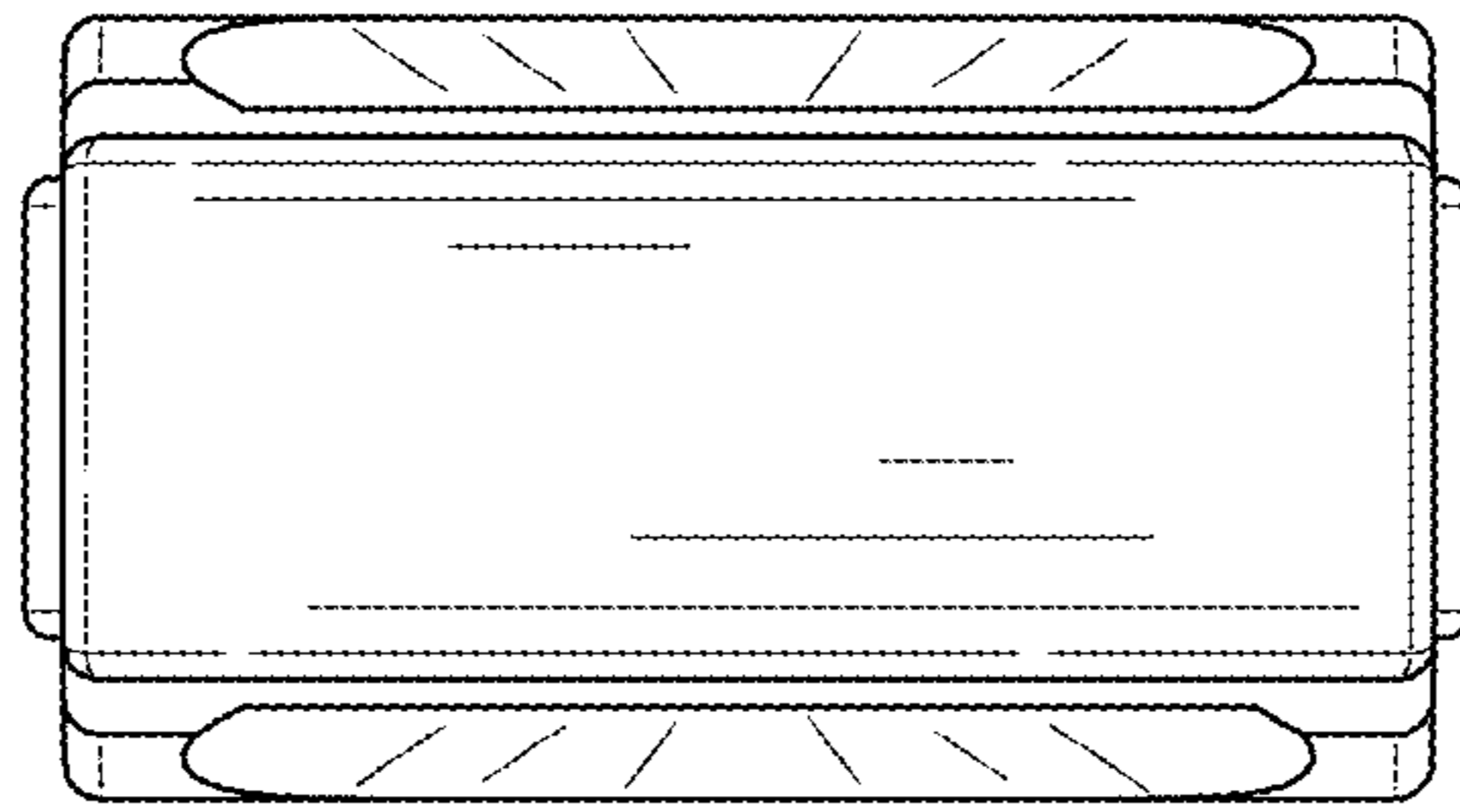


FIG. 8