



US00D947204S

(12) **United States Design Patent** (10) **Patent No.:** **US D947,204 S**  
**Kim et al.** (45) **Date of Patent:** **\*\* Mar. 29, 2022**

(54) **STAND FOR TELEVISION RECEIVER**

CPC ..... G06F 1/1601; G06F 1/1605; G06F 1/162  
See application file for complete search history.

(71) Applicant: **LG ELECTRONICS INC.**, Seoul (KR)

(56) **References Cited**

(72) Inventors: **Yooseok Kim**, Seoul (KR); **Younghun Jang**, Seoul (KR); **Jaeneung Jung**, Seoul (KR)

U.S. PATENT DOCUMENTS

(73) Assignee: **LG ELECTRONICS INC.**, Seoul (KR)

D569,704	S	*	5/2008	Ricereto	.....	D8/315
D578,372	S	*	10/2008	James	.....	D8/316
D620,901	S	*	8/2010	Won	.....	D14/126
D660,815	S	*	5/2012	Itou	.....	D14/126
D664,940	S	*	8/2012	Kim	.....	D14/129
D669,870	S	*	10/2012	Kim	.....	D14/126
D680,508	S	*	4/2013	Kim	.....	D14/126
D682,227	S	*	5/2013	Lee	.....	D14/126
D700,170	S	*	2/2014	Choi	.....	D14/239
D700,187	S	*	2/2014	Lee	.....	D14/451
D703,168	S	*	4/2014	Won	.....	D14/126
D705,200	S	*	5/2014	Choi	.....	D14/239
D708,596	S	*	7/2014	Park	.....	D14/126
D717,751	S	*	11/2014	Shin	.....	D14/126

(\*\*) Term: **15 Years**

(21) Appl. No.: **35/510,462**

(22) Filed: **Apr. 1, 2020**

(Continued)

(80) **Hague Agreement Data**

Int. Filing Date: **Apr. 1, 2020**

Int. Reg. No.: **DM/207785**

Int. Reg. Date: **Apr. 1, 2020**

Int. Reg. Pub. Date: **Oct. 2, 2020**

*Primary Examiner* — Richard E Chilcot

(74) *Attorney, Agent, or Firm* — Birch, Stewart, Kolasch & Birch, LLP

(30) **Foreign Application Priority Data**

Oct. 11, 2019 (KR) ..... 30-2019-0048545

(51) **LOC (13) Cl.** ..... **14-03**

(52) **U.S. Cl.**

USPC ..... **D14/451**

CPC ..... **G06F 1/1601** (2013.01)

(58) **Field of Classification Search**

USPC ..... D14/125-134, 239, 371, 136, 374-377, D14/440, 450, 448, 336, 342, 159; 312/7.2; 348/836, 838, 180, 184, 325, 348/739; 248/917-924, 465; 345/104, 345/133, 156, 168, 87, 173; D21/329, D21/515, 577, 622, 333, 433, 448, 452, D21/450, 331, 505; D10/15, 26; D24/185; D34/14; D6/300, 308, 310, D6/642, 643, 650.1, 653.15, 645.15, 657, D6/661, 675, 708.24, 709.18, 709.2, D6/709.21, 709.22, 710

(57) **CLAIM**

The ornamental design for a stand for television receiver, as shown and described.

**DESCRIPTION**

1. Stand for television receiver

**1.1** : Perspective

**1.2** : Front

**1.3** : Back

**1.4** : Left

**1.5** : Right

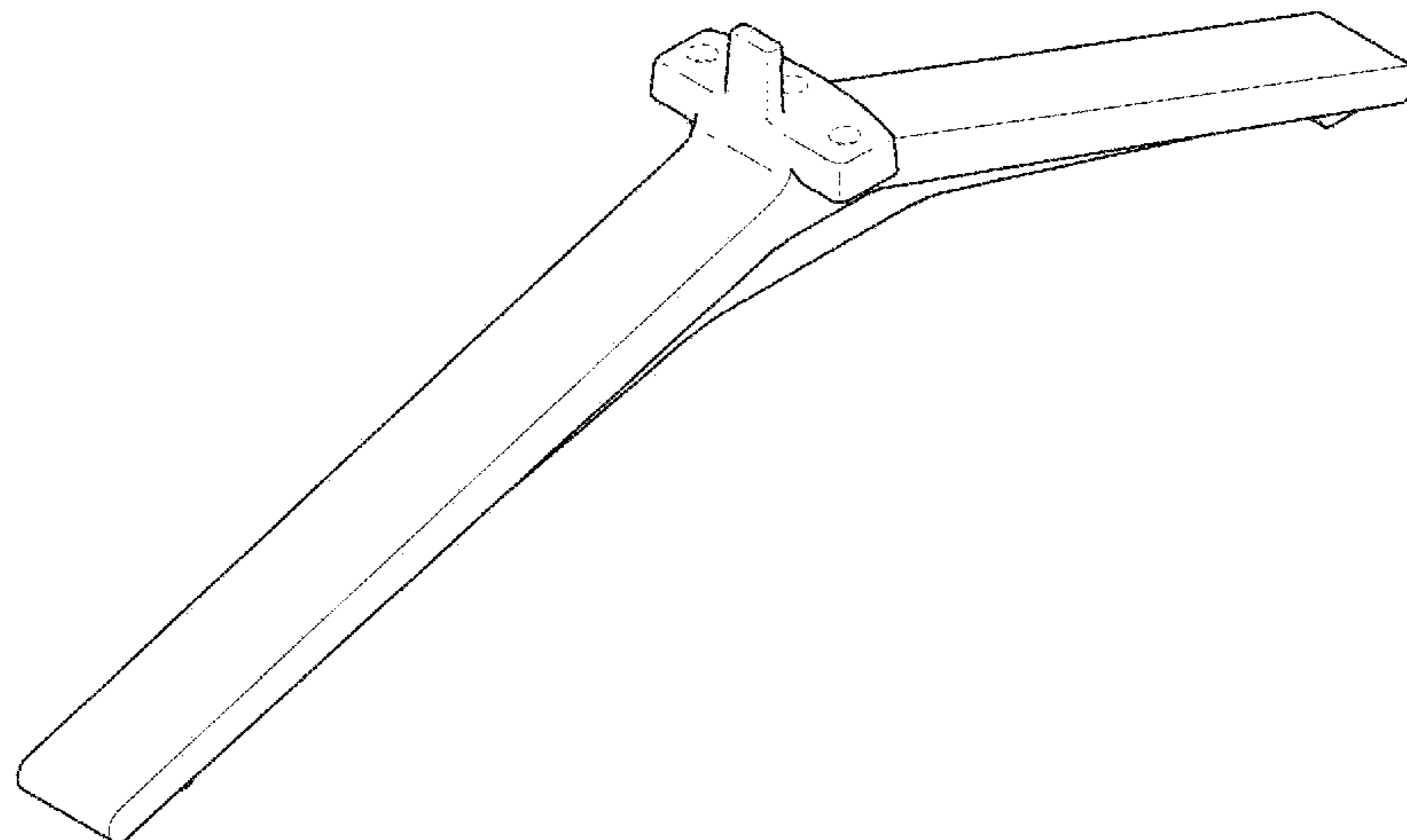
**1.6** : Top

**1.7** : Bottom

**1.8** : Reference

The reproduction **1.8** is a reference view showing a state of use of the subject design with a television receiver; the

(Continued)



broken line indicates portions of the article that form no part of the claimed design and a television receiver.

**1 Claim, 8 Drawing Sheets**

(56)

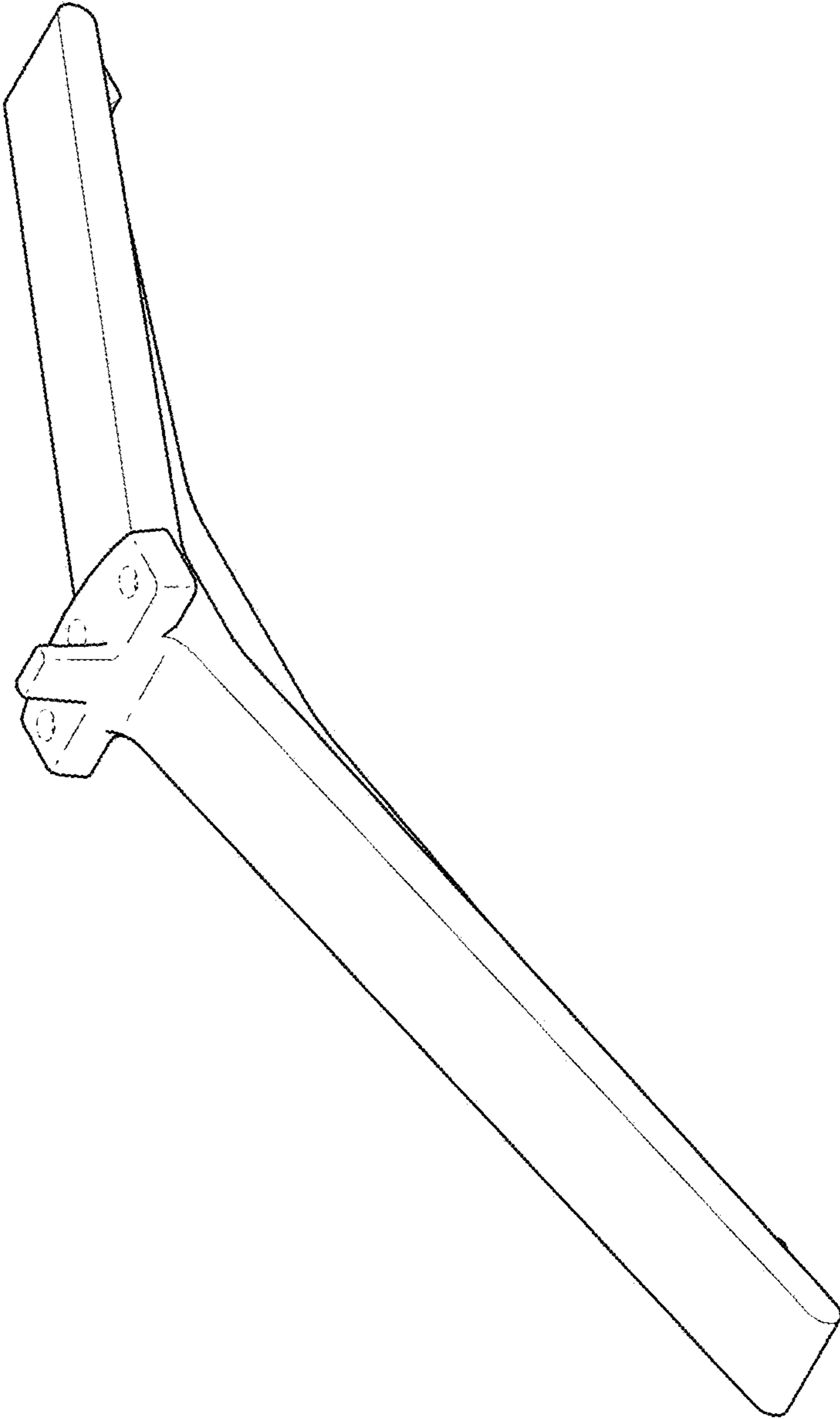
**References Cited**

U.S. PATENT DOCUMENTS

D718,604 S \* 12/2014 Boo ..... D8/315  
 D718,647 S \* 12/2014 Roush ..... D10/98  
 D718,728 S \* 12/2014 Park ..... D14/126  
 D723,483 S \* 3/2015 Lee ..... D14/126  
 D723,528 S \* 3/2015 Choi ..... D14/239  
 D724,453 S \* 3/2015 Ogihara ..... D10/70  
 D725,616 S \* 3/2015 Oh ..... D14/126  
 D726,666 S \* 4/2015 Hwangbo ..... D14/126  
 D743,953 S \* 11/2015 Ann ..... D14/239  
 D746,825 S \* 1/2016 Kang ..... D14/451  
 D751,048 S \* 3/2016 Yoon ..... D14/126  
 D757,667 S \* 5/2016 Yokota ..... D14/126  
 D762,624 S \* 8/2016 Hu ..... D14/239  
 D763,213 S \* 8/2016 Ann ..... D14/126  
 D778,044 S \* 2/2017 Lee ..... D3/218  
 D781,260 S \* 3/2017 Song ..... D14/126  
 D790,542 S \* 6/2017 Jung ..... D14/374  
 D791,094 S \* 7/2017 Han ..... D14/126  
 D795,849 S \* 8/2017 Cho ..... D14/239  
 D795,850 S \* 8/2017 Choi ..... D14/239  
 D796,494 S \* 9/2017 Woo ..... D14/239  
 D811,416 S \* 2/2018 Kim ..... D14/451  
 D817,900 S \* 5/2018 So ..... D14/126  
 D820,818 S \* 6/2018 Heckler ..... D14/239  
 D822,670 S \* 7/2018 Hubert ..... D14/451

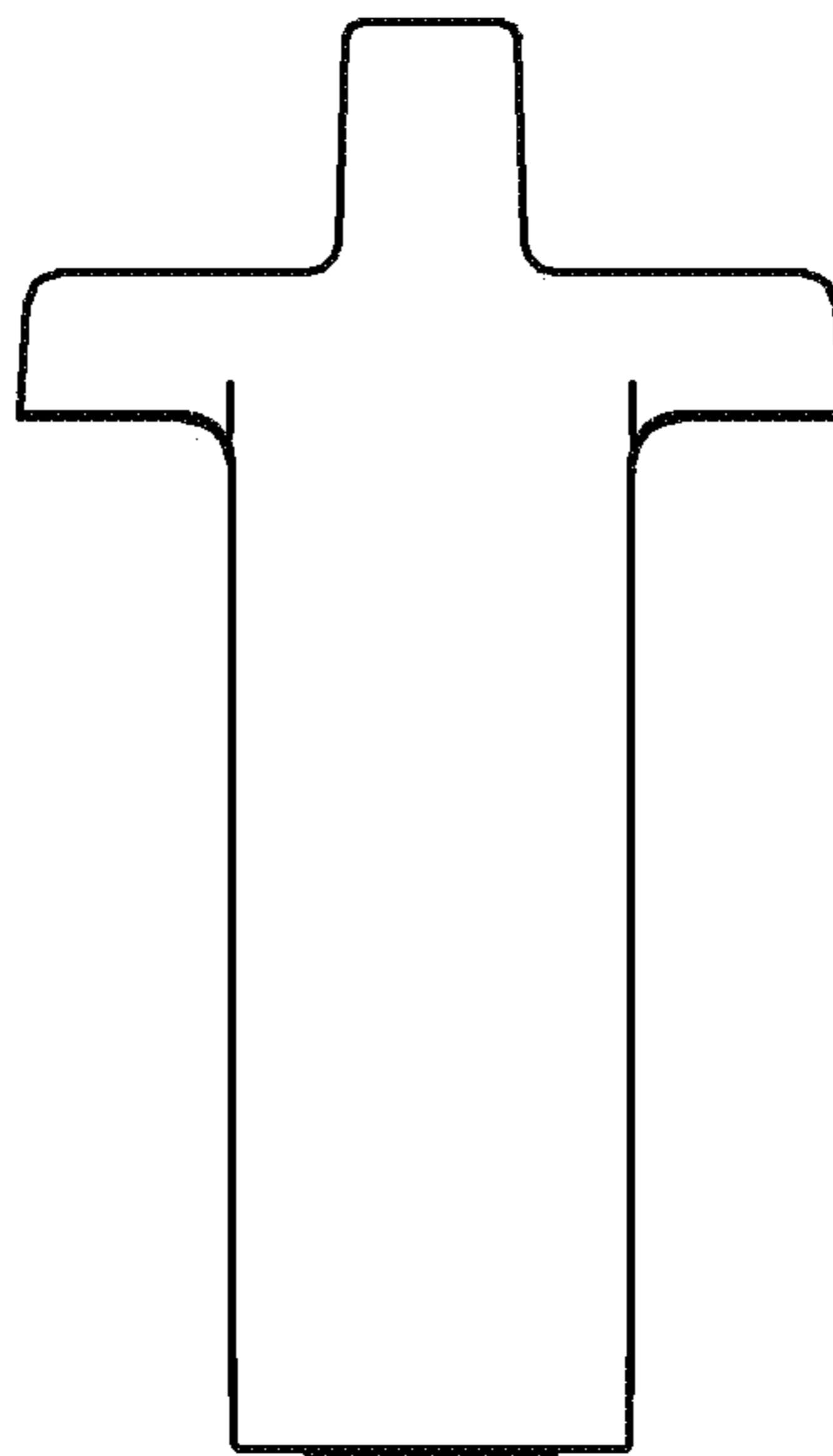
D823,843 S \* 7/2018 Kim ..... D14/239  
 D824,889 S \* 8/2018 Debaigue ..... D14/239  
 D824,891 S \* 8/2018 Kim ..... D14/239  
 D831,647 S \* 10/2018 Woo ..... D14/374  
 D836,583 S \* 12/2018 Cha ..... D14/126  
 D846,555 S \* 4/2019 Park ..... D14/451  
 D847,802 S \* 5/2019 Kim ..... D14/239  
 D848,991 S \* 5/2019 Hwang ..... D14/239  
 D855,612 S \* 8/2019 Lim ..... D14/374  
 D857,676 S \* 8/2019 Kim ..... D14/239  
 D858,473 S \* 9/2019 Lee ..... D14/126  
 D862,432 S \* 10/2019 Fernandez Rubio ..... D14/239  
 D866,295 S \* 11/2019 Lee ..... D8/354  
 D870,713 S \* 12/2019 Lee ..... D14/239  
 D884,663 S \* 5/2020 Jang ..... D14/126  
 D884,697 S \* 5/2020 Park ..... D14/375  
 D886,821 S \* 6/2020 Escolin ..... D14/375  
 D888,695 S \* 6/2020 Seong ..... D14/230  
 D897,324 S \* 9/2020 Lee ..... D14/239  
 D901,470 S \* 11/2020 Kim ..... D14/239  
 D904,992 S \* 12/2020 Kim ..... D14/126  
 D905,649 S \* 12/2020 Kim ..... D14/126  
 D905,651 S \* 12/2020 Lee ..... D14/126  
 D905,652 S \* 12/2020 Lee ..... D14/126  
 D912,029 S \* 3/2021 Kim ..... D14/239  
 D913,370 S \* 3/2021 Hwang ..... D19/114  
 D914,654 S \* 3/2021 Pei ..... D14/239  
 D914,661 S \* 3/2021 Kim ..... D14/239  
 D916,690 S \* 4/2021 Kuroda ..... D14/239  
 D917,438 S \* 4/2021 Kuroda ..... D14/239  
 D929,408 S \* 8/2021 Seo ..... D14/451  
 D929,409 S \* 8/2021 Seo ..... D14/451  
 D932,475 S \* 10/2021 Jia ..... D14/239  
 2015/0146389 A1 \* 5/2015 Okata ..... H05K 7/02  
 361/752

\* cited by examiner

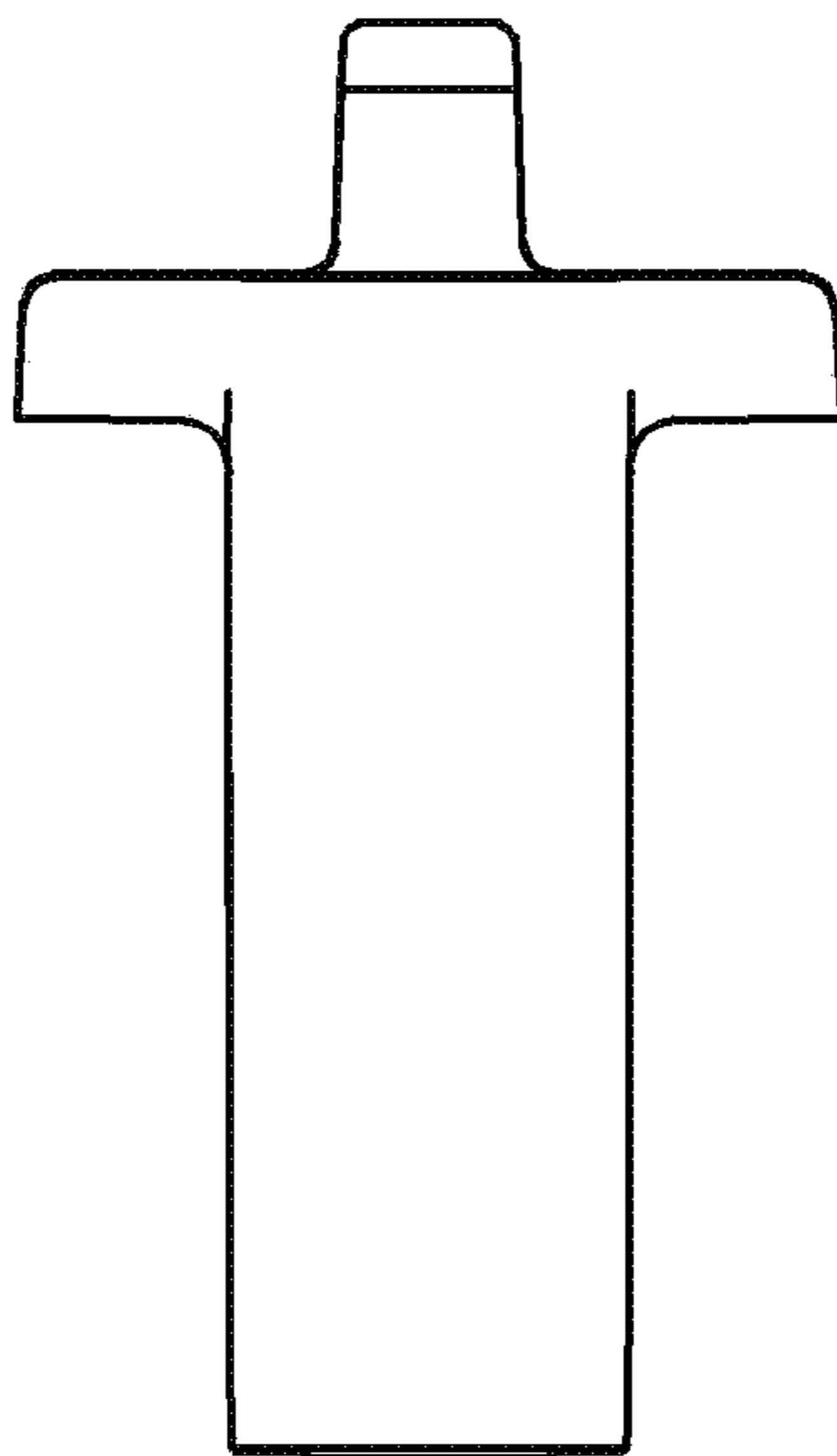


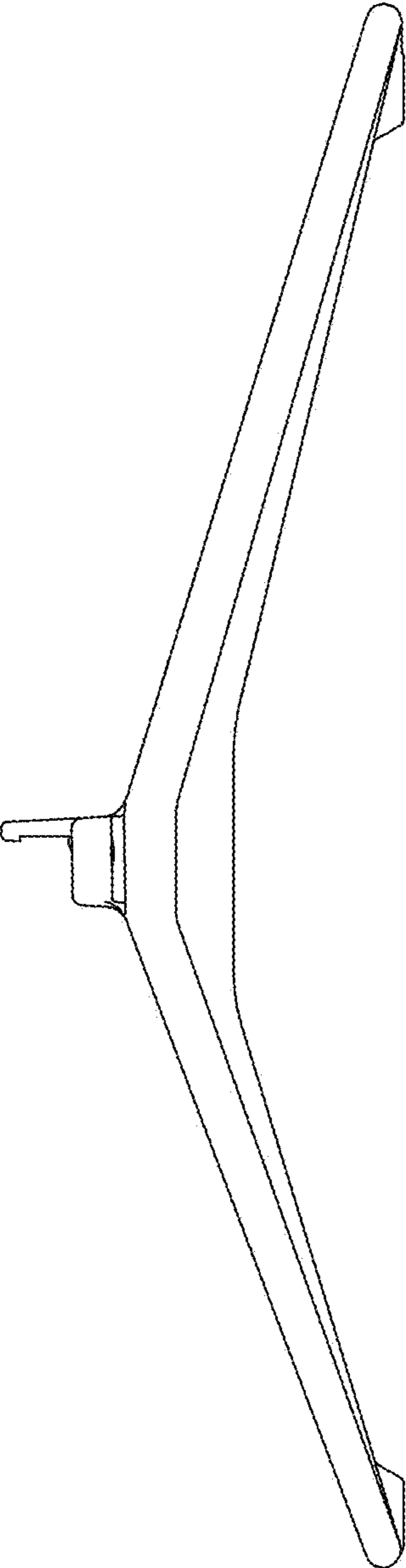
1.1

1.2

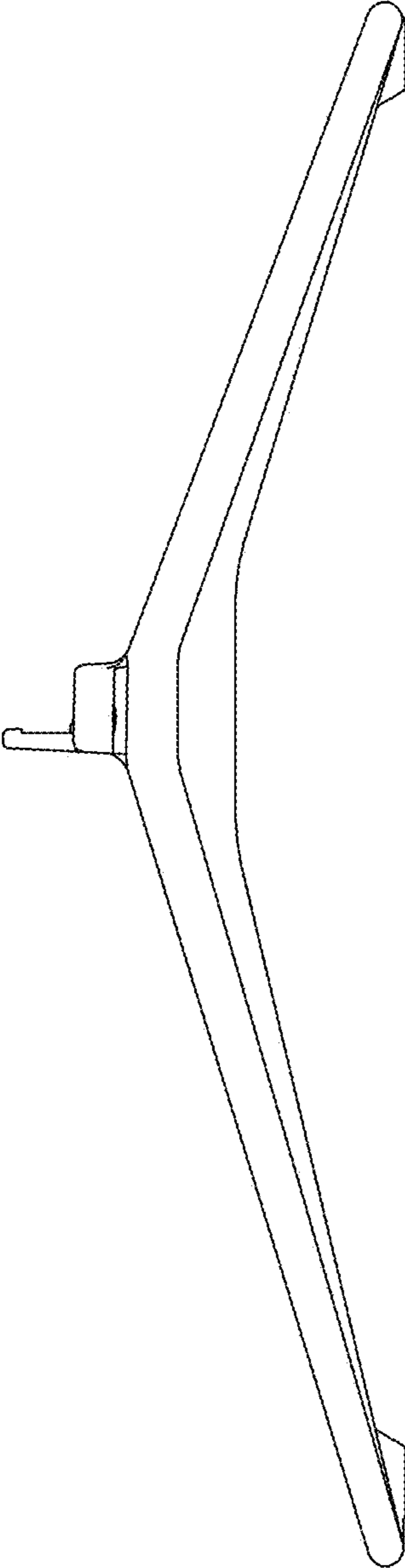


1.3



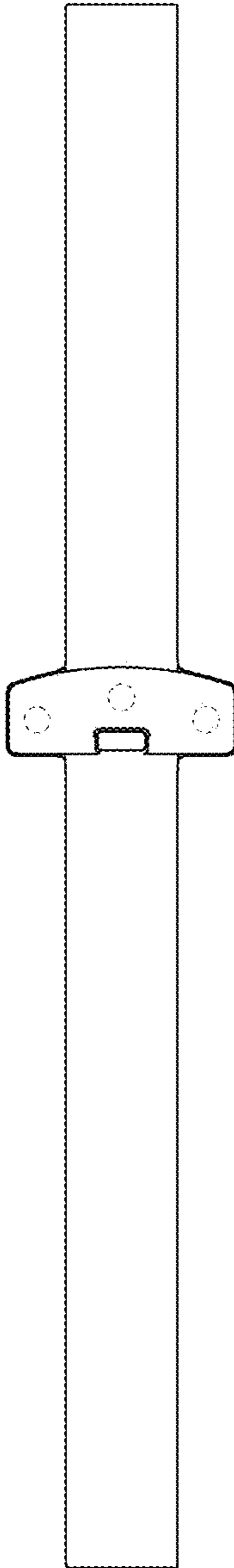


1.4



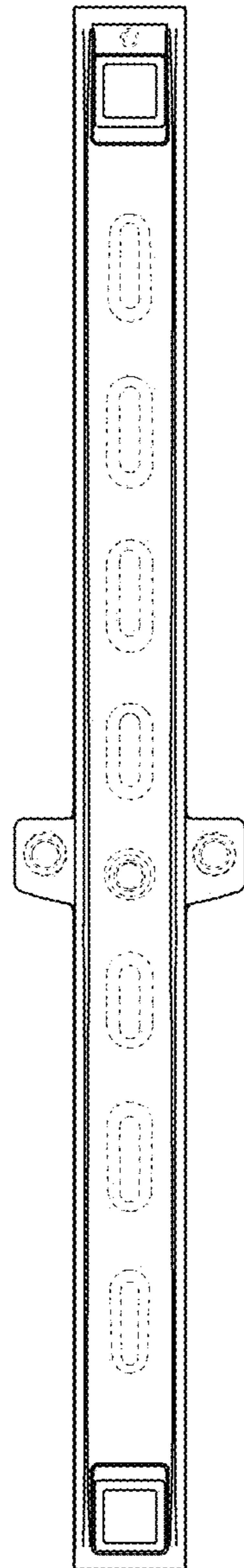
1.5

1.6





1.7



1.8

