



US00D947203S

(12) **United States Design Patent** (10) **Patent No.:** **US D947,203 S**  
**Li** (45) **Date of Patent:** **\*\* Mar. 29, 2022**

(54) **MONITOR RISER SHELF**  
(71) Applicant: **SHENZHEN SUPER TOP INNOVATION TECHNOLOGY LIMITED**, Shenzhen (CN)  
(72) Inventor: **Haifeng Li**, Shenzhen (CN)  
(73) Assignee: **SHENZHEN SUPER TOP INNOVATION TECHNOLOGY LIMITED**, Shenzhen (CN)  
(\*\*) Term: **15 Years**  
(21) Appl. No.: **29/768,701**  
(22) Filed: **Feb. 1, 2021**  
(51) **LOC (13) Cl.** ..... **14-02**  
(52) **U.S. Cl.**  
USPC ..... **D14/451**  
(58) **Field of Classification Search**  
USPC ..... D14/371-382, 125-129, 335-337, D14/447-452, 492, 376-382, 239, 448, D14/457, 439-441, 432, 251-253, 204, D14/209, 214-216; D8/349, 354, 363, D8/373, 376, 380; 348/180, 184, 325, 348/739, 825; D12/407, 415; D3/218; 341/12; D6/661, 675.1, 675.3, 677.1, D6/678.1, 678.2, 653.1, 653.15, 653.18, D6/653.19  
CPC ..... G06F 3/0412; G06F 3/016; G06F 3/0488; G06F 3/011; G06F 3/038; G06F 3/03543; G06F 3/0338; G06F 3/0202; G06F 3/0219; G06F 3/0213; G06F 1/1616; G06F 3/023; G06F 3/04883; G02F 1/13338; G02F 1/1313; G02F 1/1333; G02F 1/135; G02F 1/132; G02F 1/133308; G02F 1/134309; G02F 1/13718; G09G 3/3648; G06K 15/1252; B41J 2/465; G03F 7/70291; G02B 27/0172; G02B 5/30; G02B 2027/0118; G02B 27/0101; F16M 13/02; F16M

13/00; F16M 11/10; F16M 11/04; F16M 2200/08; F16M 11/2021; A47B 21/0314; A47B 88/044; A47B 2021/0335; H02G 3/126; F16B 47/00; F16B 47/006; A47G 1/17; A47K 2201/00

See application file for complete search history.

(56) **References Cited**

**U.S. PATENT DOCUMENTS**

|                |         |                   |            |
|----------------|---------|-------------------|------------|
| D289,247 S *   | 4/1987  | Wang .....        | D6/406.6   |
| D293,493 S *   | 12/1987 | Garr .....        | D6/406.6   |
| D359,862 S *   | 7/1995  | Rousch .....      | D12/419    |
| D380,727 S *   | 7/1997  | Gilstrap .....    | D12/417    |
| D642,408 S *   | 8/2011  | Pirkl .....       | D6/707.19  |
| D690,164 S *   | 9/2013  | Lock .....        | D7/553.2   |
| D773,868 S *   | 12/2016 | Schwalbach .....  | D6/695.6   |
| 9,578,960 B1 * | 2/2017  | Wu .....          | A47B 23/04 |
| D837,580 S *   | 1/2019  | Cauley .....      | D6/707.19  |
| D881,611 S *   | 4/2020  | Nightingale ..... | D6/656.17  |

(Continued)

*Primary Examiner* — Katie Jane Stofko

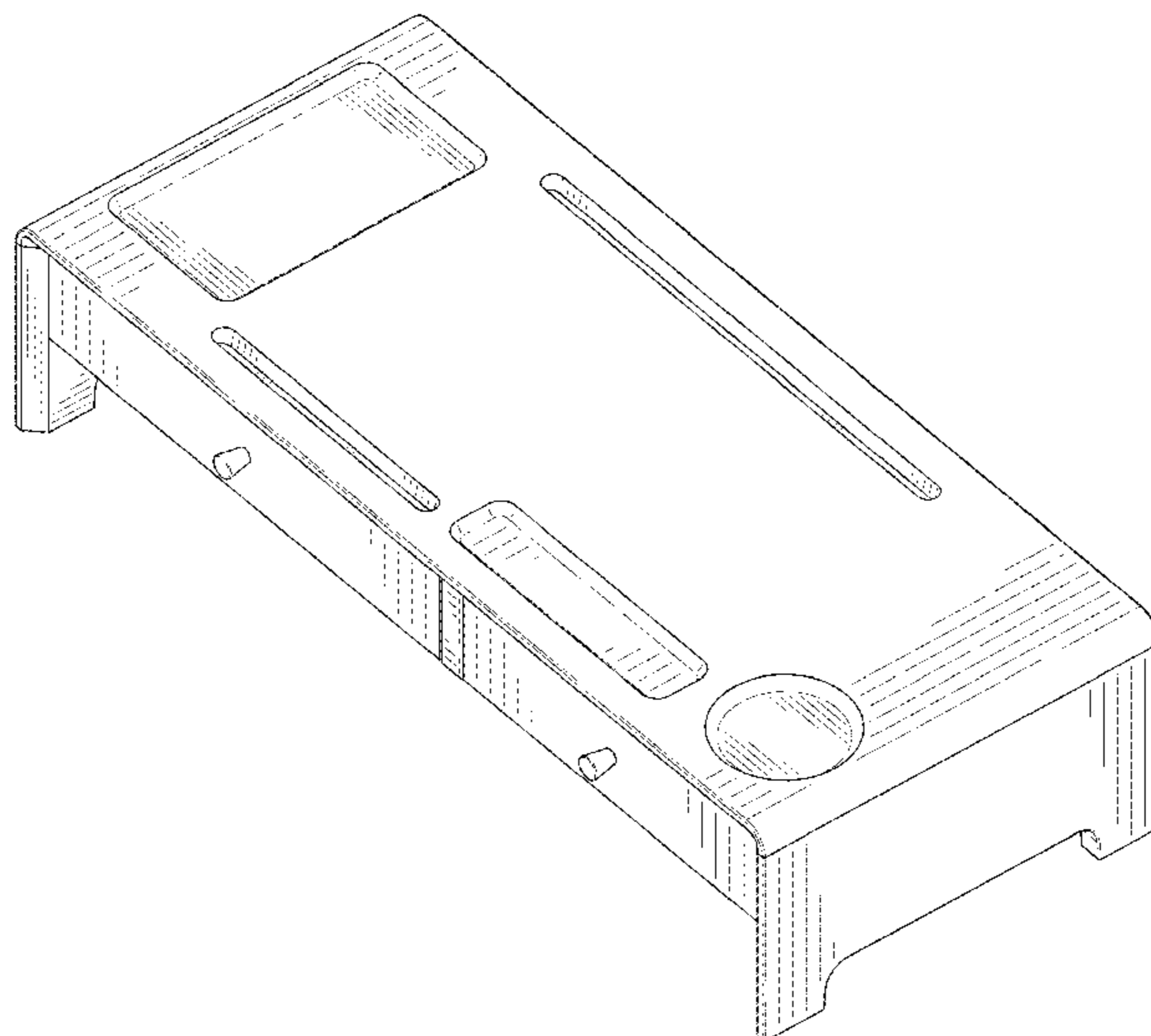
(57) **CLAIM**

The ornamental design for a monitor riser shelf, as shown and described.

**DESCRIPTION**

FIG. 1 is a front, top, right side perspective view of a monitor riser shelf showing my new design; FIG. 2 is a rear, bottom, right side perspective view thereof; FIG. 3 is a front elevational view thereof; FIG. 4 is a rear elevational view thereof; FIG. 5 is a left side elevational view thereof; FIG. 6 is a right side elevational view thereof; FIG. 7 is a top plan view thereof; and, FIG. 8 is a bottom plan view thereof. The broken lines in the drawings are for the purpose of illustrating portions of the monitor riser shelf that form no part of the claimed design.

**1 Claim, 8 Drawing Sheets**



(56)

**References Cited**

U.S. PATENT DOCUMENTS

D914,393 S \* 3/2021 Xie ..... D6/406.6  
D932,497 S \* 10/2021 Reyes ..... D14/447  
2016/0064995 A1\* 3/2016 Schwalbach ..... A47F 10/00  
320/108

\* cited by examiner

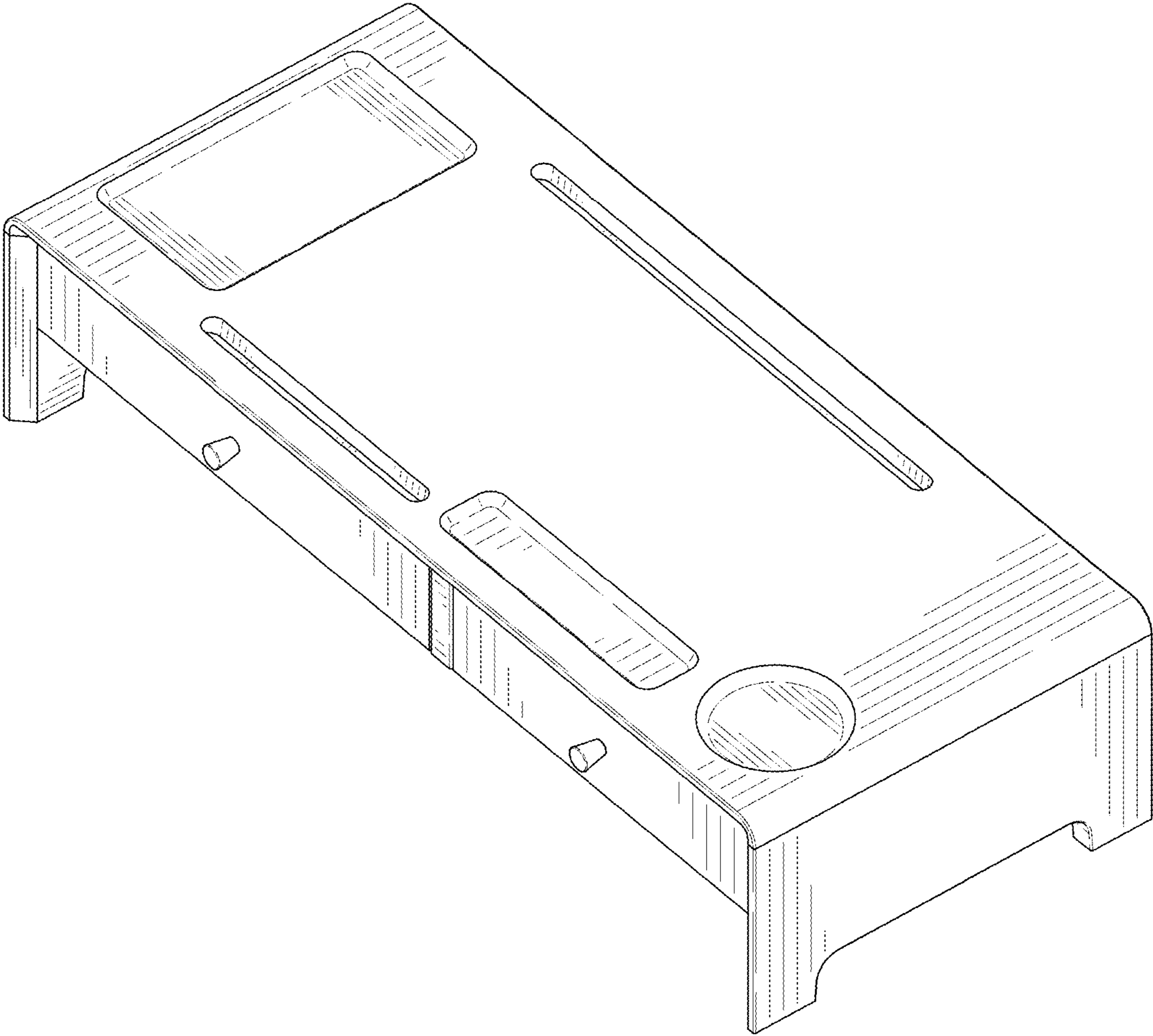


FIG. 1

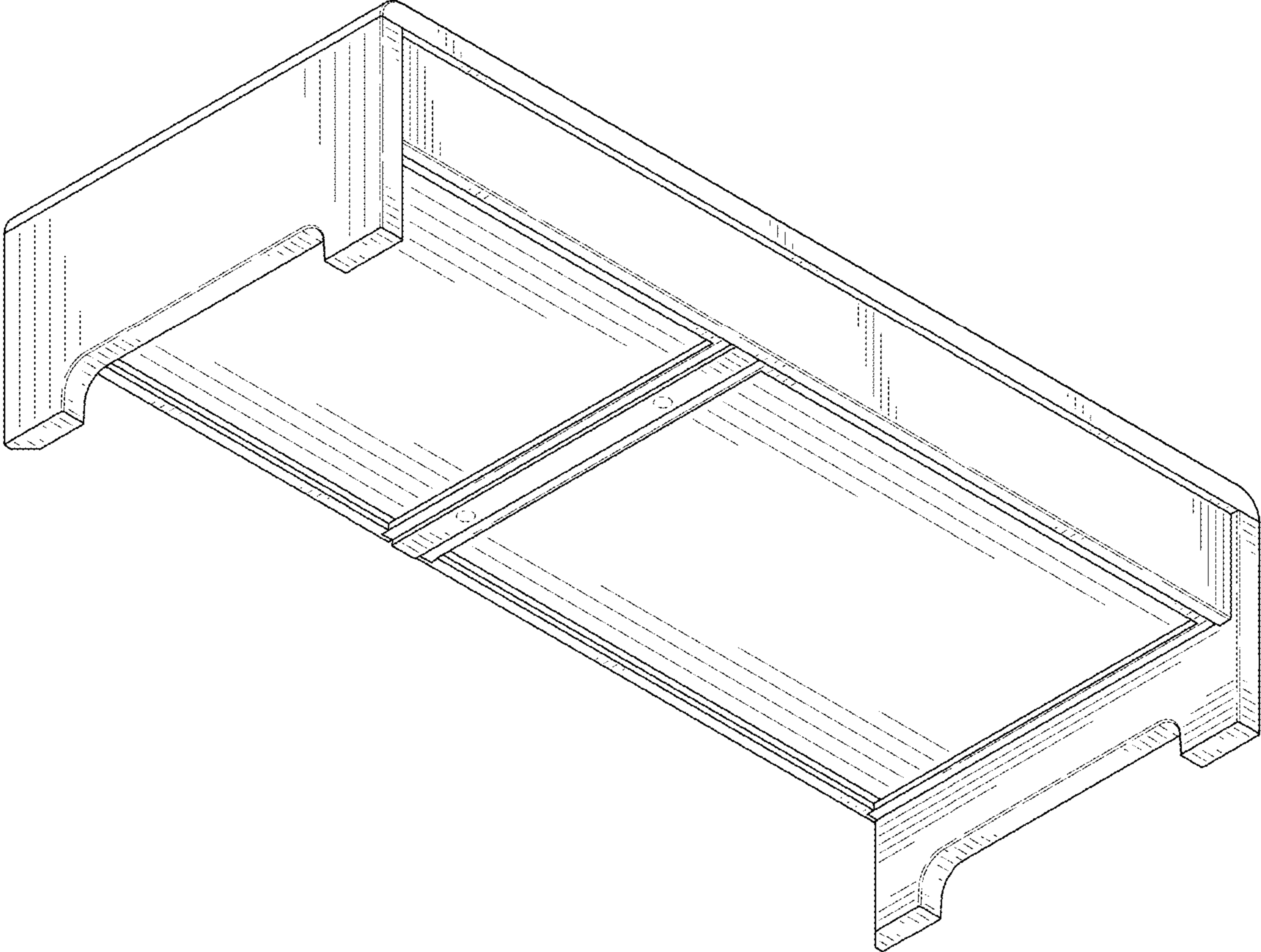


FIG. 2

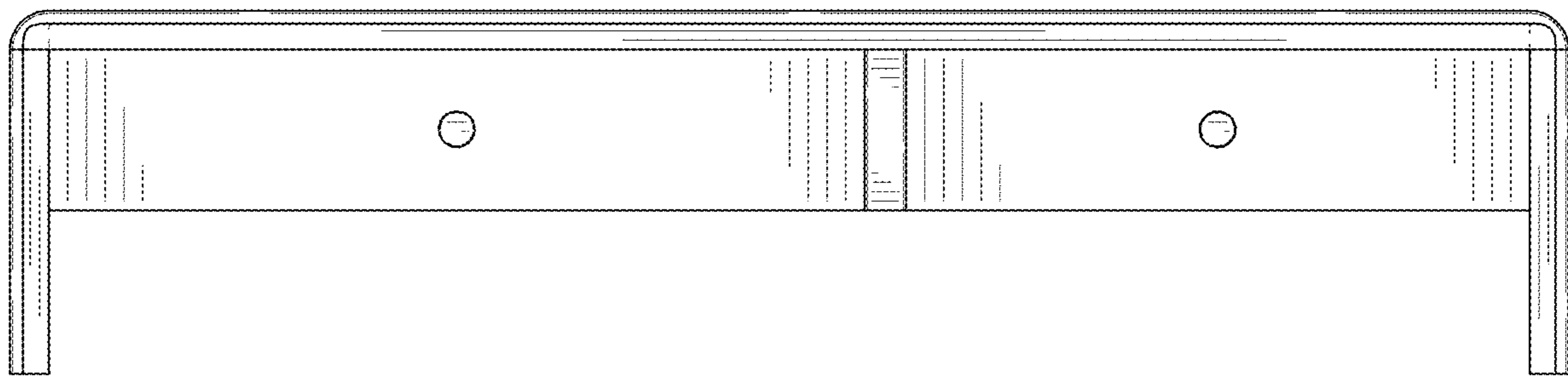


FIG. 3

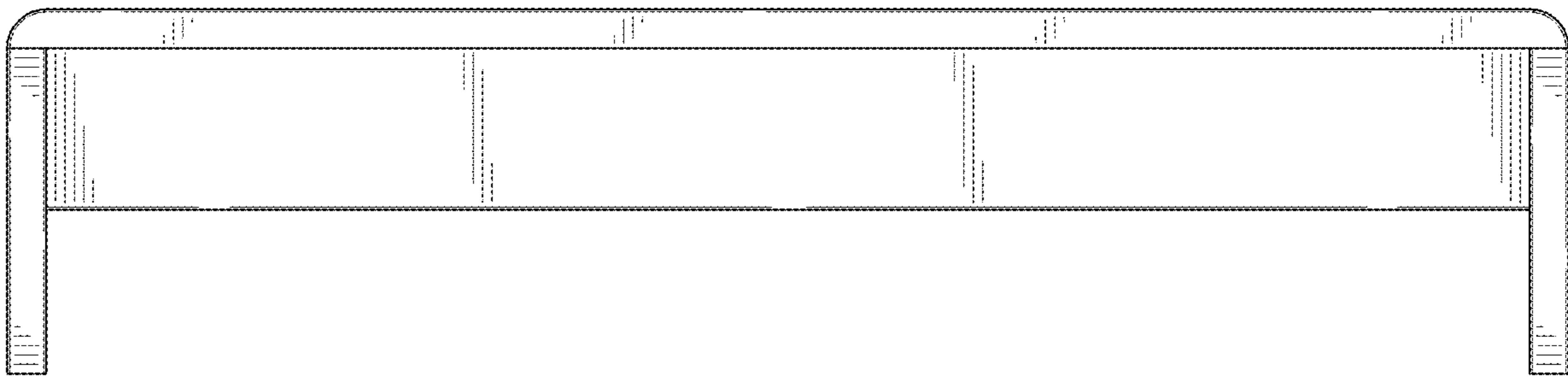


FIG. 4

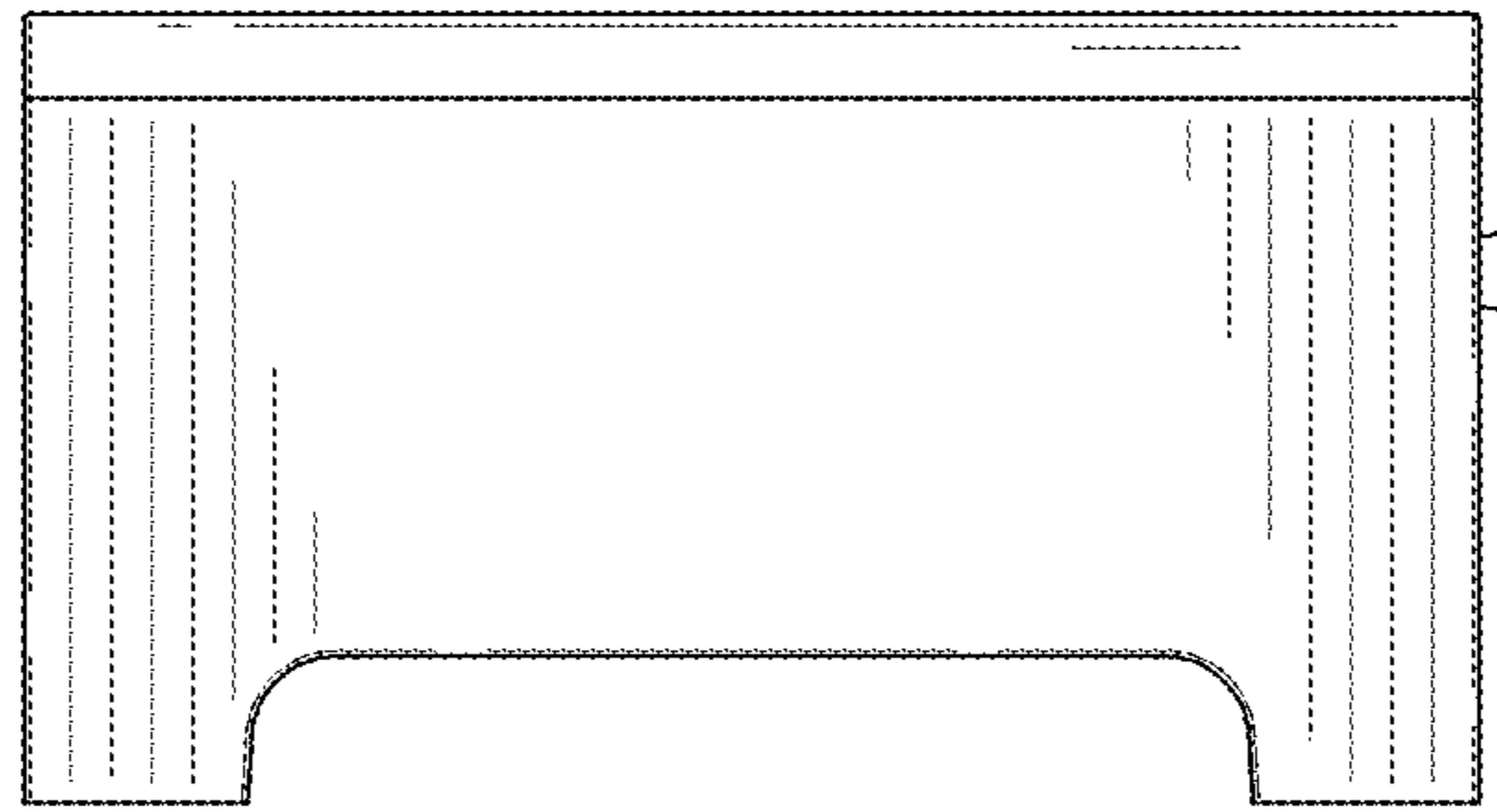


FIG. 5

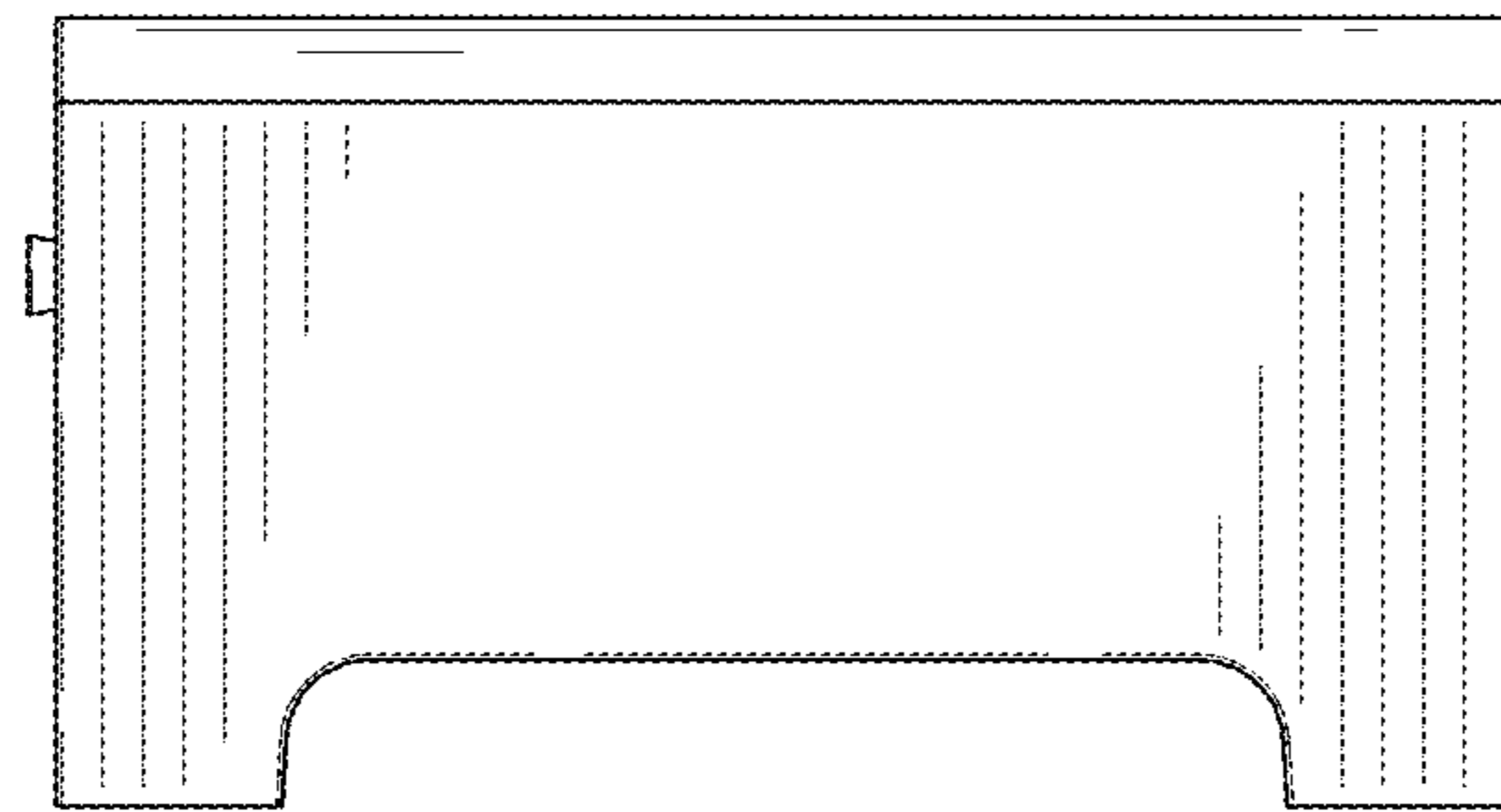


FIG. 6



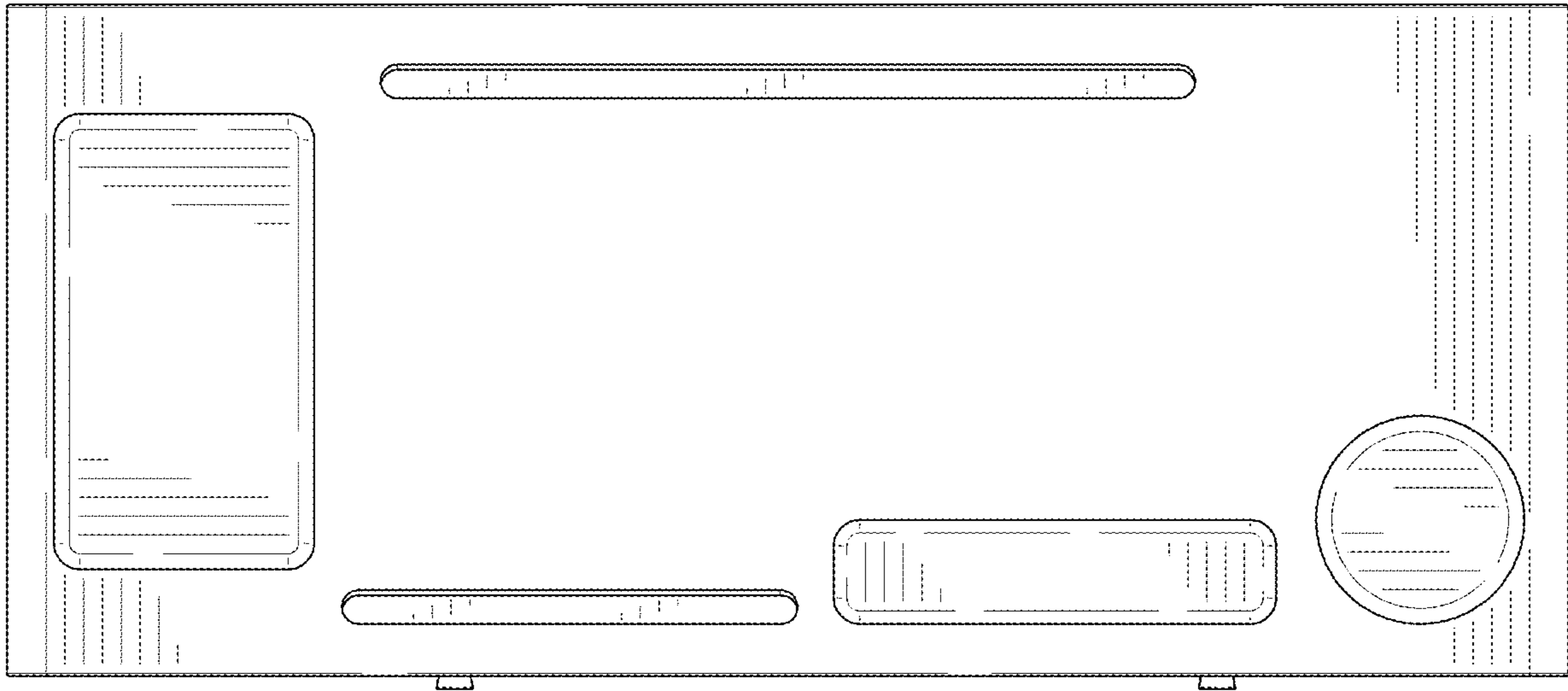


FIG. 7

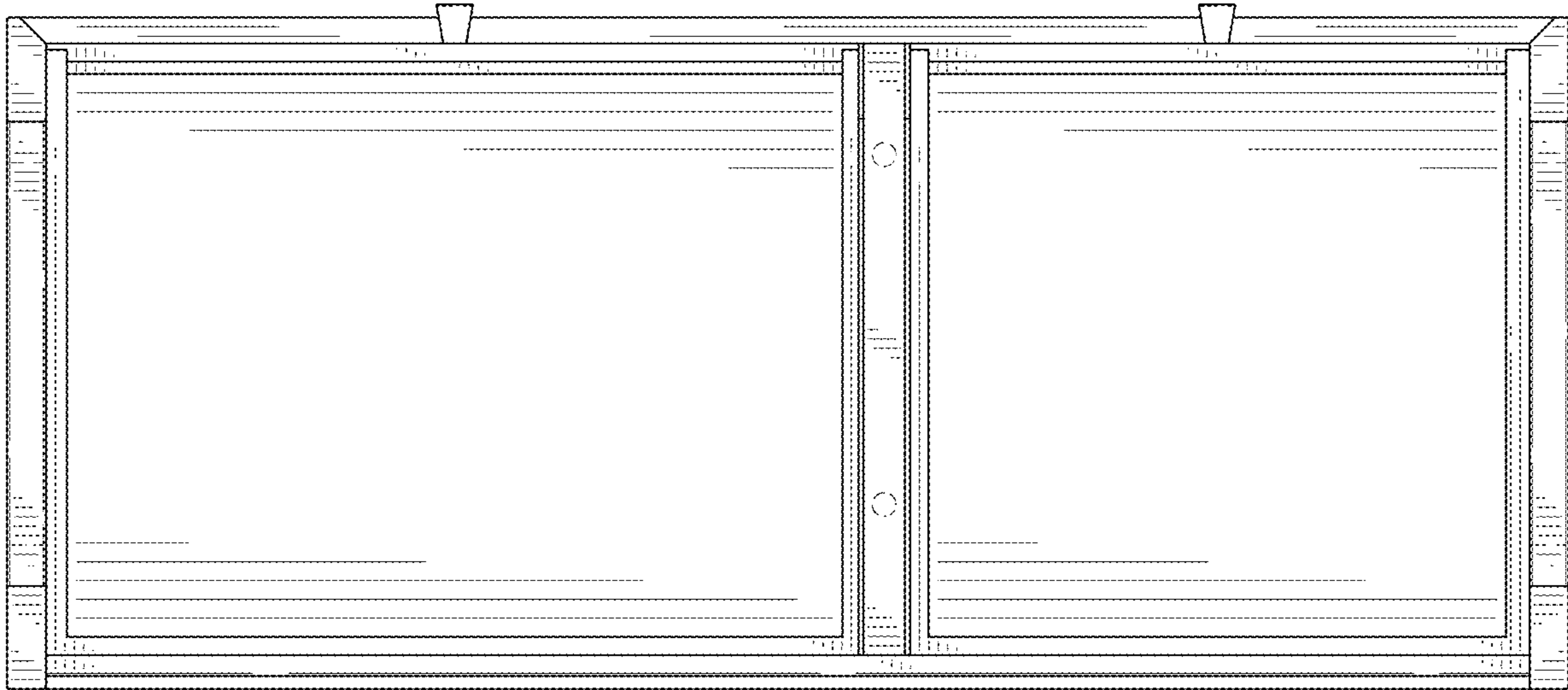


FIG. 8