



US00D947202S

(12) **United States Design Patent** (10) **Patent No.:** **US D947,202 S**
Li (45) **Date of Patent:** **** Mar. 29, 2022**

(54) **MONITOR RISER SHELF**

(71) Applicant: **SHENZHEN SUPER TOP INNOVATION TECHNOLOGY LIMITED**, Shenzhen (CN)

(72) Inventor: **Haifeng Li**, Shenzhen (CN)

(73) Assignee: **SHENZHEN SUPER TOP INNOVATION TECHNOLOGY LIMITED**, Shenzhen (CN)

(**) Term: **15 Years**

(21) Appl. No.: **29/768,696**

(22) Filed: **Feb. 1, 2021**

(51) **LOC (13) Cl.** **14-02**

(52) **U.S. Cl.**
USPC **D14/451**

(58) **Field of Classification Search**
USPC D14/371-382, 125-129, 335-337, D14/447-452, 492, 376-382, 239, 457, D14/439-441, 432, 251-253, 204, 209, D14/214-216; D8/349, 354, 363, 373, D8/376, 380; 348/180, 184, 325, 739, 348/825; D12/407, 415; D3/218; 341/12; D6/661, 675.1, 675.3, 677.1, D6/678.1, 678.2, 653.1, 653.15, 653.18, D6/653.19

CPC G06F 3/0412; G06F 3/016; G06F 3/0488; G06F 3/011; G06F 3/038; G06F 3/03543; G06F 3/0338; G06F 3/0202; G06F 3/0219; G06F 3/0213; G06F 1/1616; G06F 3/023; G06F 3/04883; G02F 1/13338; G02F 1/1313; G02F 1/1333; G02F 1/135; G02F 1/132; G02F 1/133308; G02F 1/134309; G02F 1/13718; G09G 3/3648; G06K 15/1252; B41J 2/465; G03F 7/70291; G02B 27/0172; G02B 5/30; G02B 2027/0118; G02B 27/0101; F16M 13/02; F16M

13/00; F16M 11/10; F16M 11/04; F16M 2200/08; F16M 11/2021; A47B 21/0314; A47B 88/044; A47B 2021/0335; H02G 3/126; F16B 47/00; F16B 47/006; A47G 1/17; A47K 2201/00

See application file for complete search history.

(56) **References Cited**

U.S. PATENT DOCUMENTS

D289,247 S *	4/1987	Wang	D6/406.6
D293,493 S *	12/1987	Garr	D6/406.6
D359,862 S *	7/1995	Rousch	D12/419
D380,727 S *	7/1997	Gilstrap	D12/417
D558,489 S *	1/2008	Christensen	D6/691.5
D642,408 S *	8/2011	Pirkl	D6/707.19
D773,868 S *	12/2016	Schwalbach	D6/695.6
9,578,960 B1 *	2/2017	Wu	A47B 23/04
D880,913 S *	4/2020	Kuo	D6/705
D914,393 S *	3/2021	Xie	D6/406.6

(Continued)

Primary Examiner — Katie Jane Stofko

(57) **CLAIM**

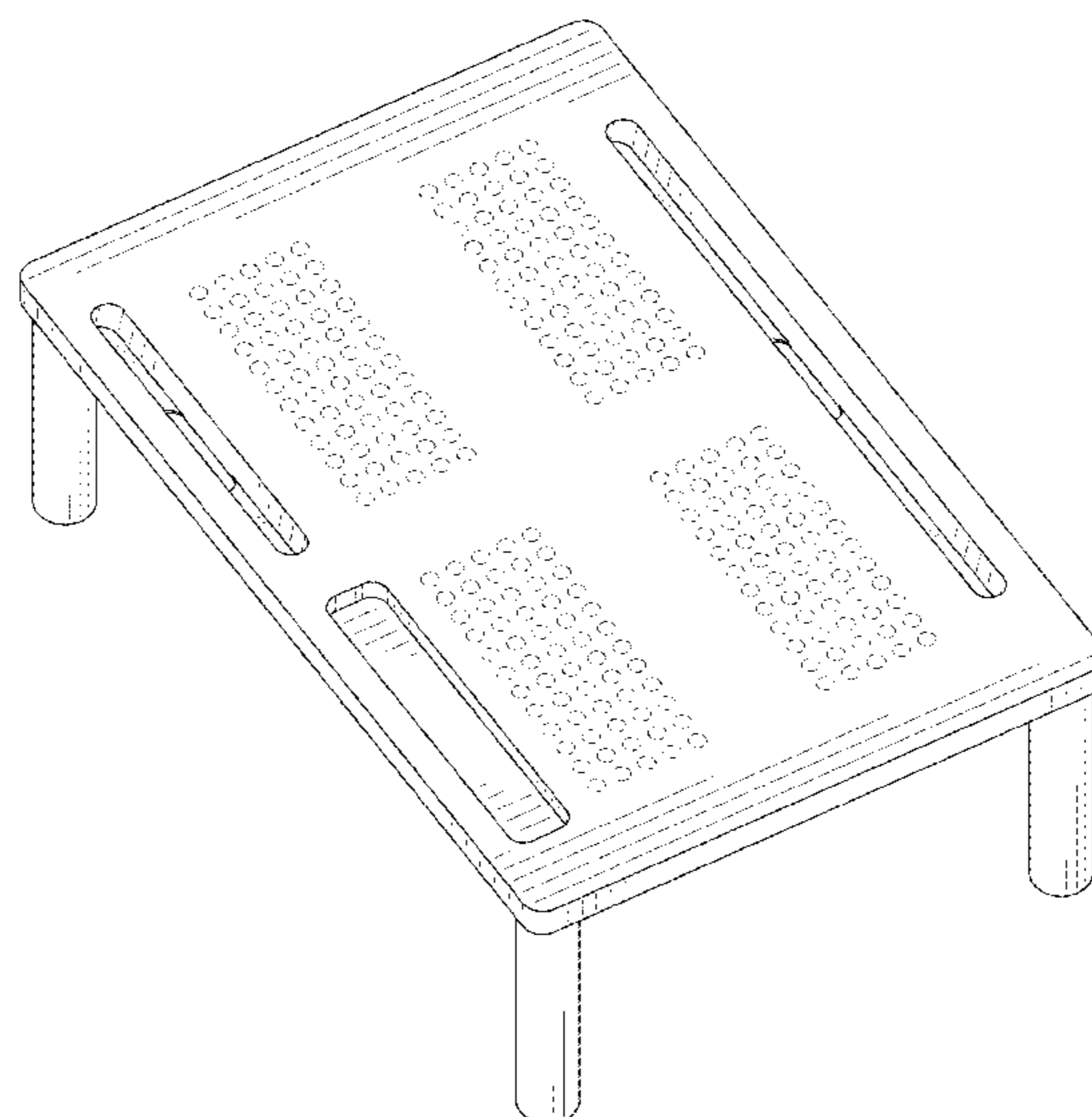
The ornamental design for a monitor riser shelf, as shown and described.

DESCRIPTION

FIG. 1 is a front, top, right side perspective view of a monitor riser shelf showing my new design; FIG. 2 is a rear, bottom, left side perspective view thereof; FIG. 3 is a top plan view thereof; FIG. 4 is a bottom plan view thereof; FIG. 5 is a left side elevation view thereof; FIG. 6 is a right side elevation view thereof; FIG. 7 is a front elevation view thereof; and, FIG. 8 is a rear elevation view thereof.

The broken lines in the drawings are for the purpose of illustrating portions of the monitor riser shelf that form no part of the claimed design.

1 Claim, 8 Drawing Sheets



(56)

References Cited

U.S. PATENT DOCUMENTS

D914,692 S * 3/2021 Lyu D14/451
D932,497 S * 10/2021 Reyes D14/447
2016/0064995 A1* 3/2016 Schwalbach A47F 10/00
320/108

* cited by examiner

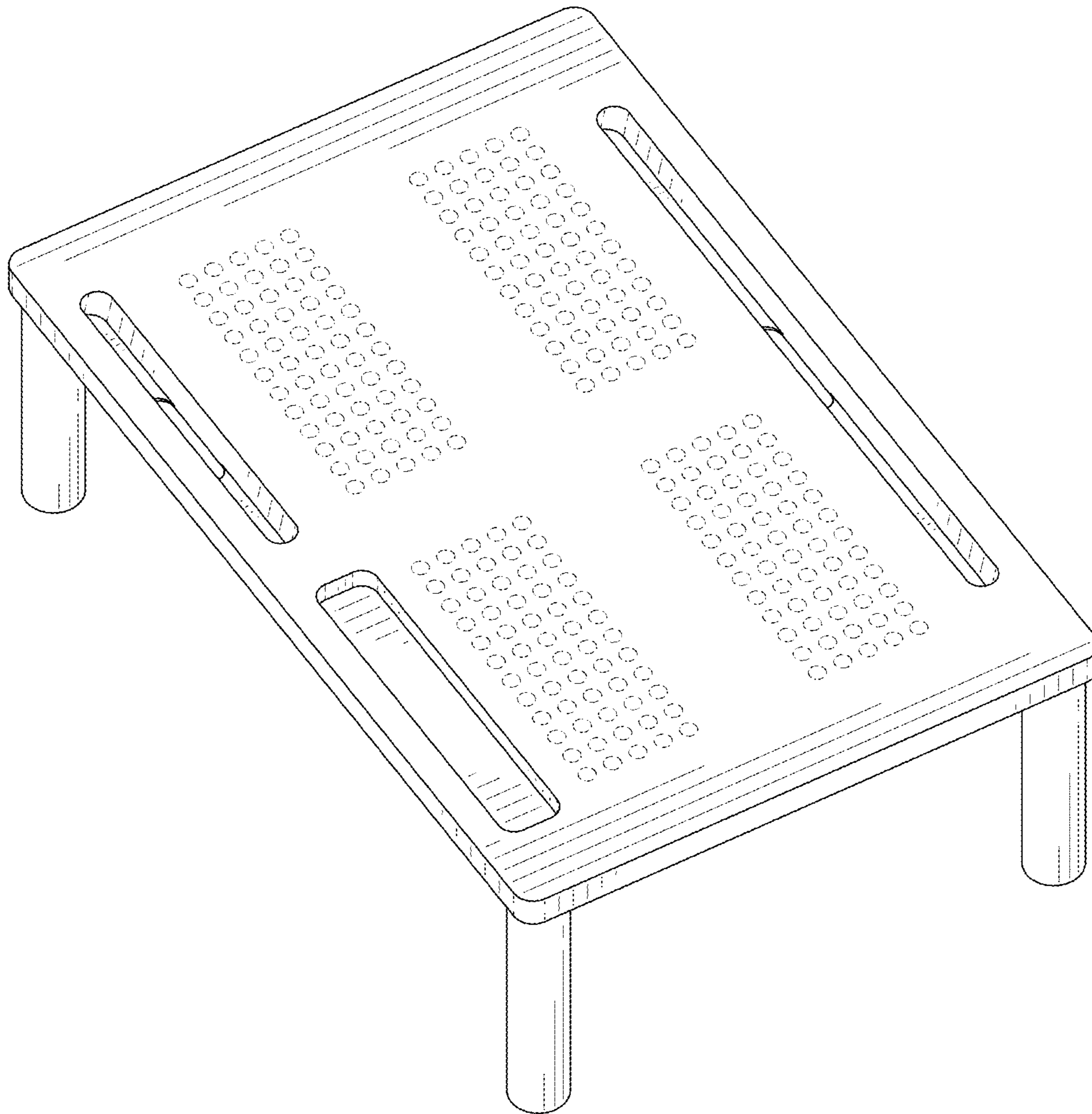


FIG. 1

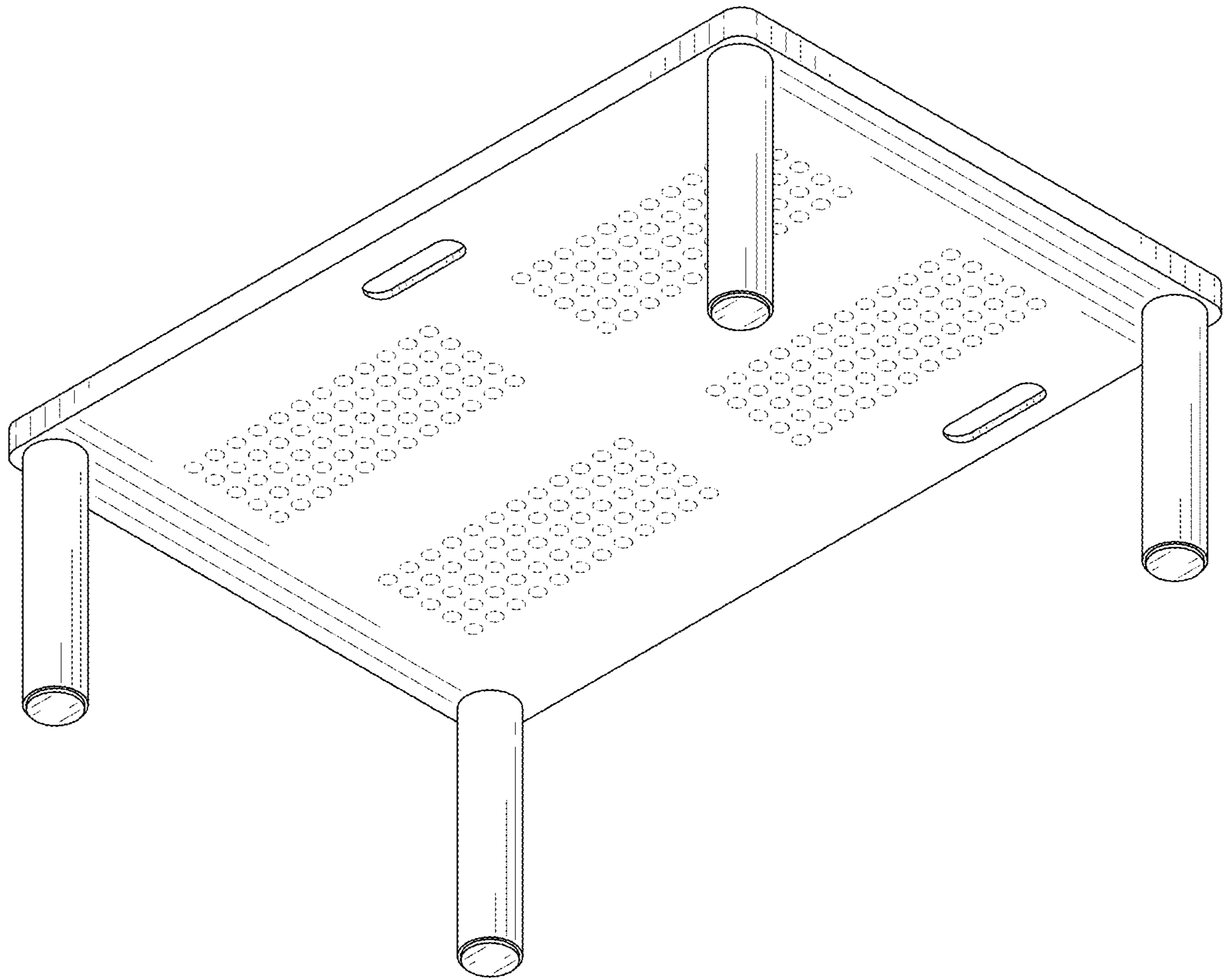


FIG. 2

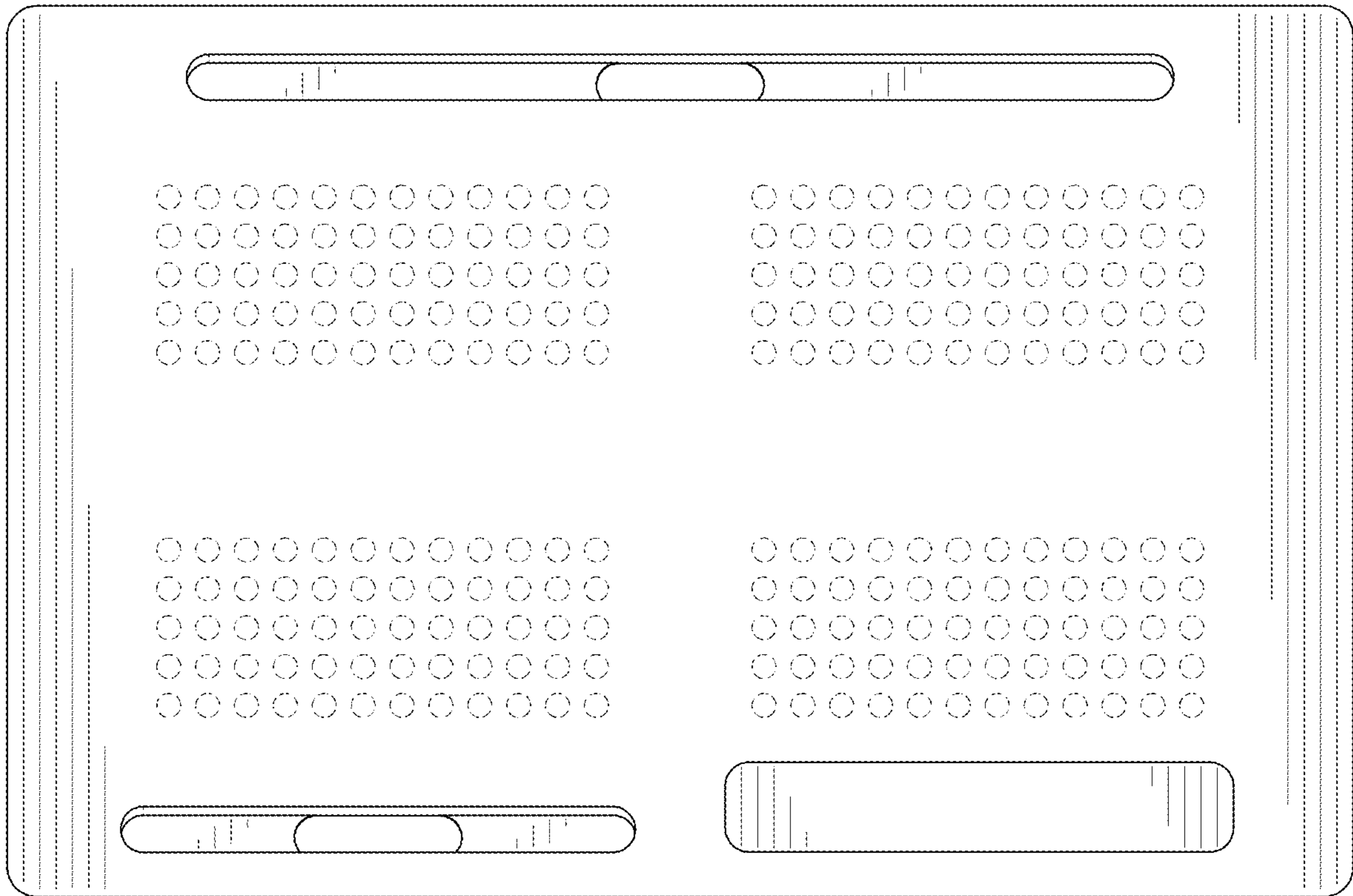


FIG. 3

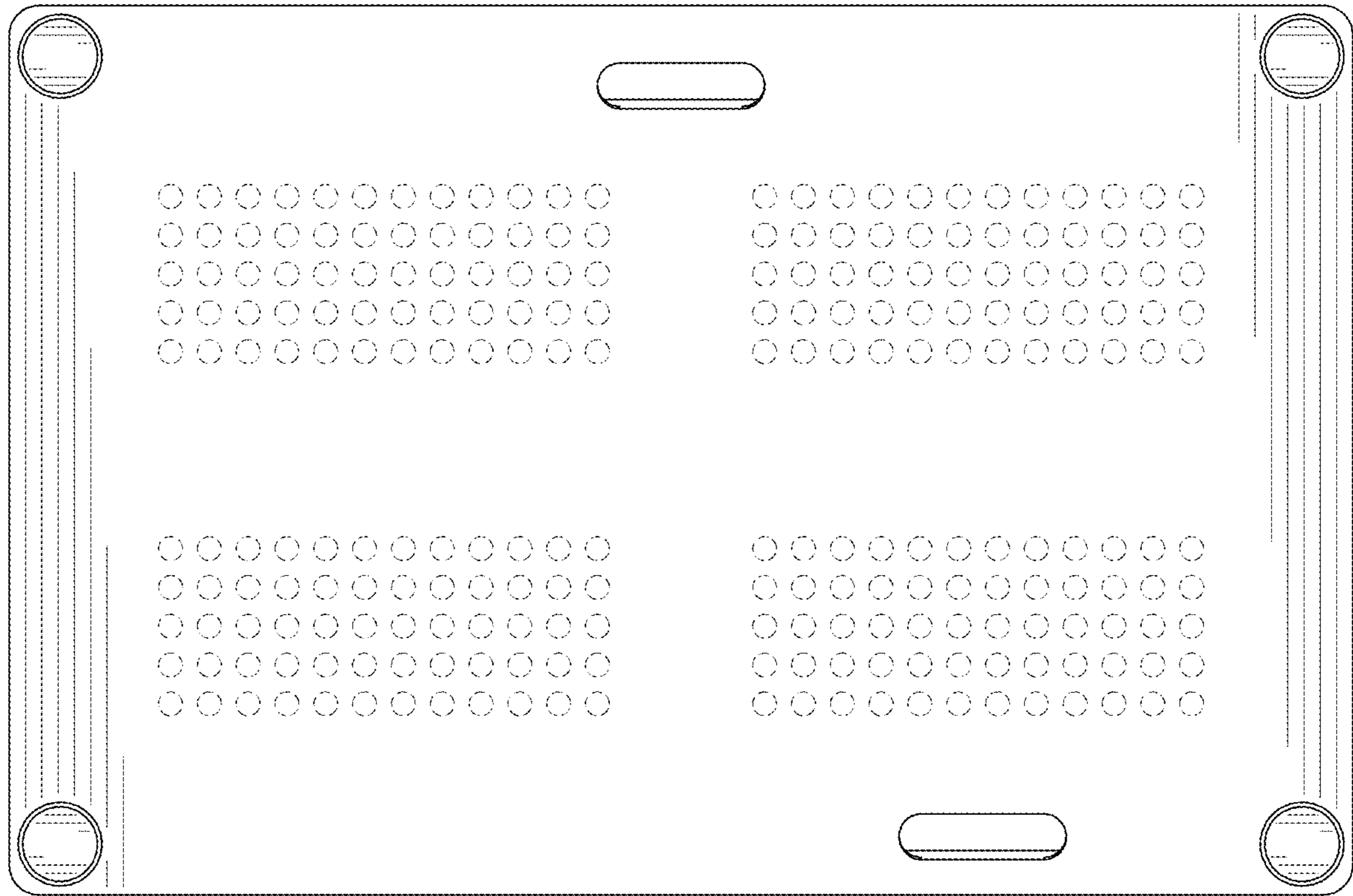


FIG. 4

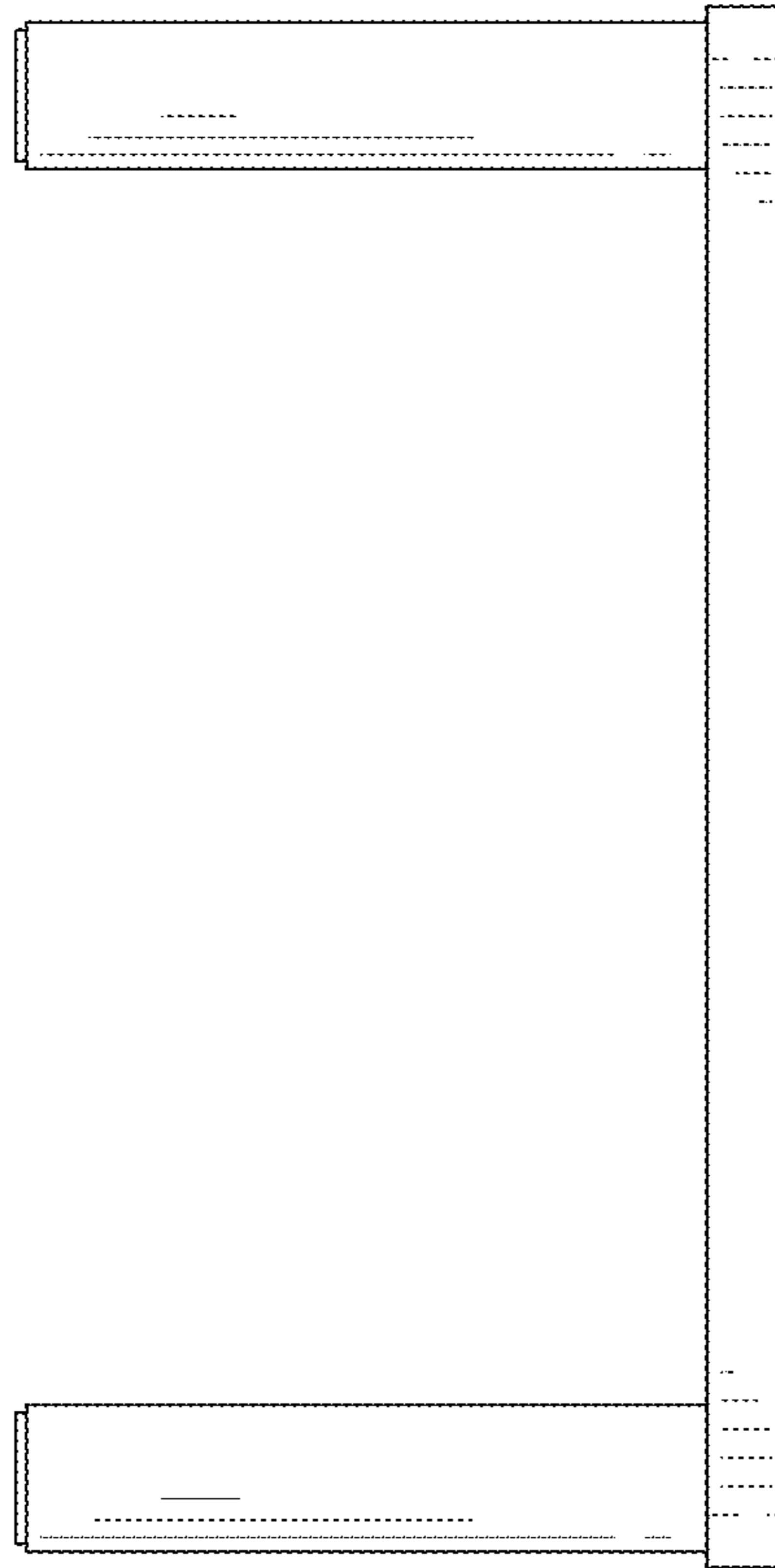


FIG. 5

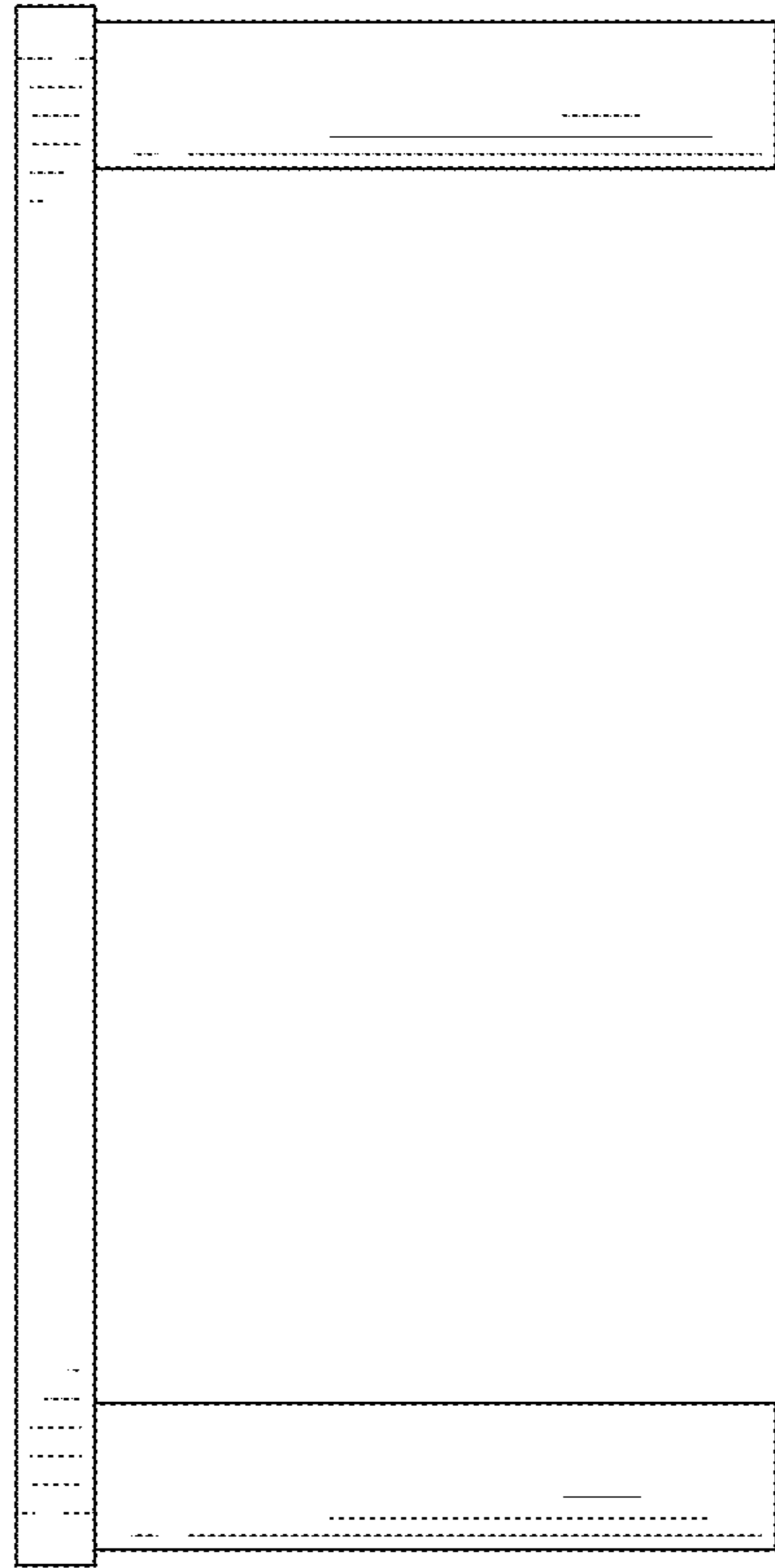


FIG. 6

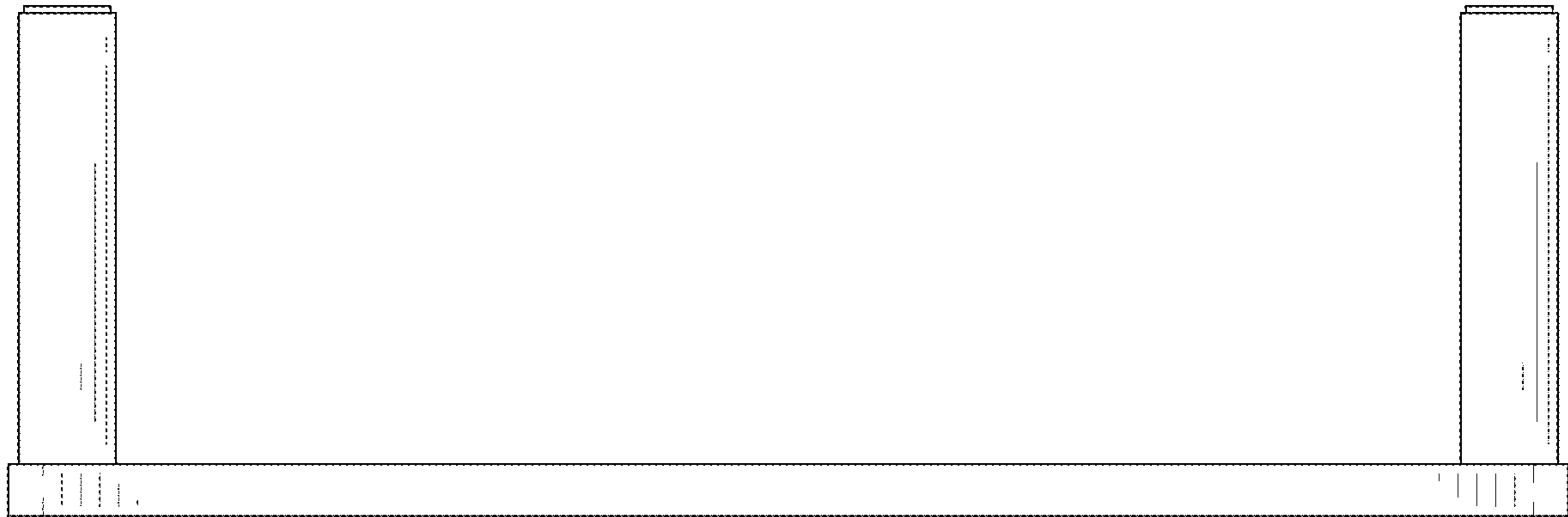


FIG. 7

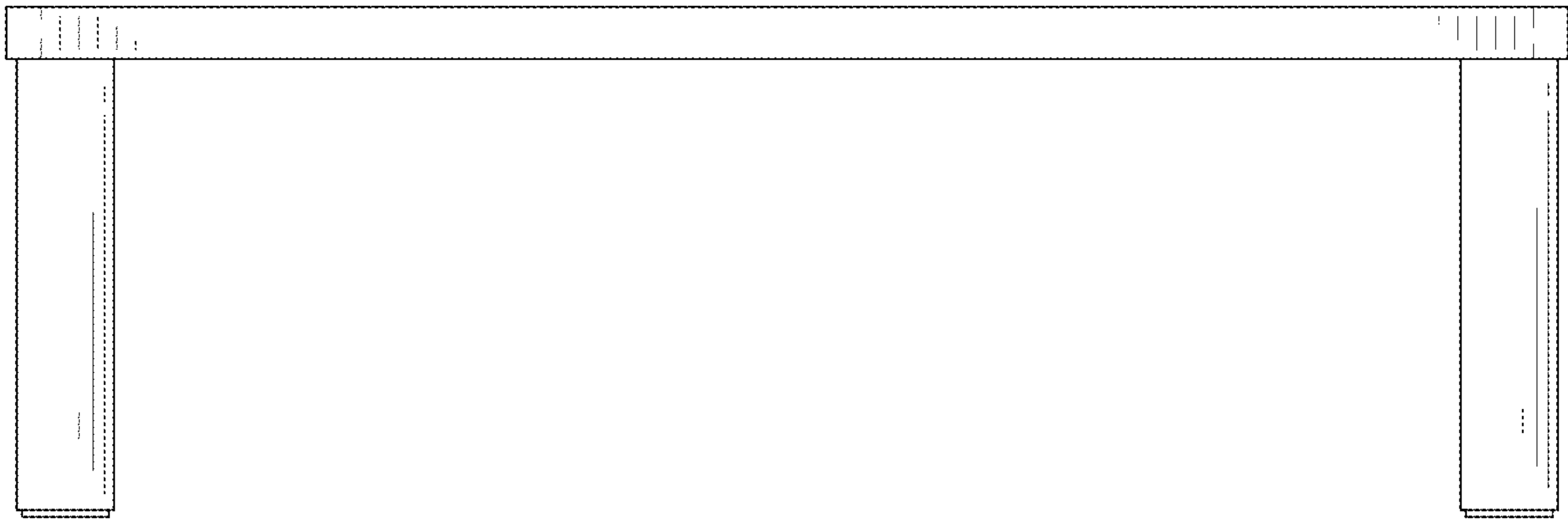


FIG. 8