



US00D947200S

(12) **United States Design Patent**  
**Yang**

(10) **Patent No.:** **US D947,200 S**

(45) **Date of Patent:** **\*\* Mar. 29, 2022**

(54) **LAPTOP HOLDER**

(71) Applicant: **SHENZHEN LICHUANG  
TIANCHENG TECHNOLOGY CO.,  
LTD.**, Shenzhen (CN)

(72) Inventor: **Li Yang**, Shenzhen (CN)

(73) Assignee: **SHENZHEN LICHUANG  
TIANCHENG TECHNOLOGY CO.,  
LTD.**, Shenzhen (CN)

(\*\*) Term: **15 Years**

(21) Appl. No.: **29/780,546**

(22) Filed: **Apr. 26, 2021**

(51) **LOC (13) Cl.** ..... **08-07**

(52) **U.S. Cl.**  
USPC ..... **D14/447**

(58) **Field of Classification Search**  
USPC ..... D14/447, 432, 434, 439, 440, 451, 452,  
D14/457, 239, 253; D8/363, 373, 380;  
D6/406.3, 406.4, 406.5, 406.6; D12/415;  
D21/333, 332  
CPC ..... A47B 21/04; A47B 2097/006; A47B  
2097/005; A47B 2023/049; A45C  
2011/002; A45C 2011/003; F16M  
2200/00; F16M 13/00

See application file for complete search history.

(56) **References Cited**

**U.S. PATENT DOCUMENTS**

4,460,146 A \* 7/1984 Raggiotti ..... A47G 1/24  
248/456  
D589,964 S \* 4/2009 Heggland ..... D14/434

D591,303 S \* 4/2009 Heggland ..... D14/434  
7,770,864 B2 \* 8/2010 Phifer ..... A47B 23/043  
248/455  
D705,785 S \* 5/2014 Wang ..... D14/447  
D788,780 S 6/2017 Chen  
D788,781 S 6/2017 Chen  
D804,490 S \* 12/2017 Wei ..... D14/447  
D903,688 S \* 12/2020 Hong ..... D14/447  
D906,347 S \* 12/2020 Yang ..... D14/447  
D907,640 S \* 1/2021 Huang ..... D14/447  
D915,414 S \* 4/2021 Yang ..... D14/447  
D923,630 S \* 6/2021 Lu ..... D14/447  
D923,632 S \* 6/2021 Li ..... D14/447  
D931,289 S \* 9/2021 Jin ..... D14/447

\* cited by examiner

*Primary Examiner* — Angela J Lee

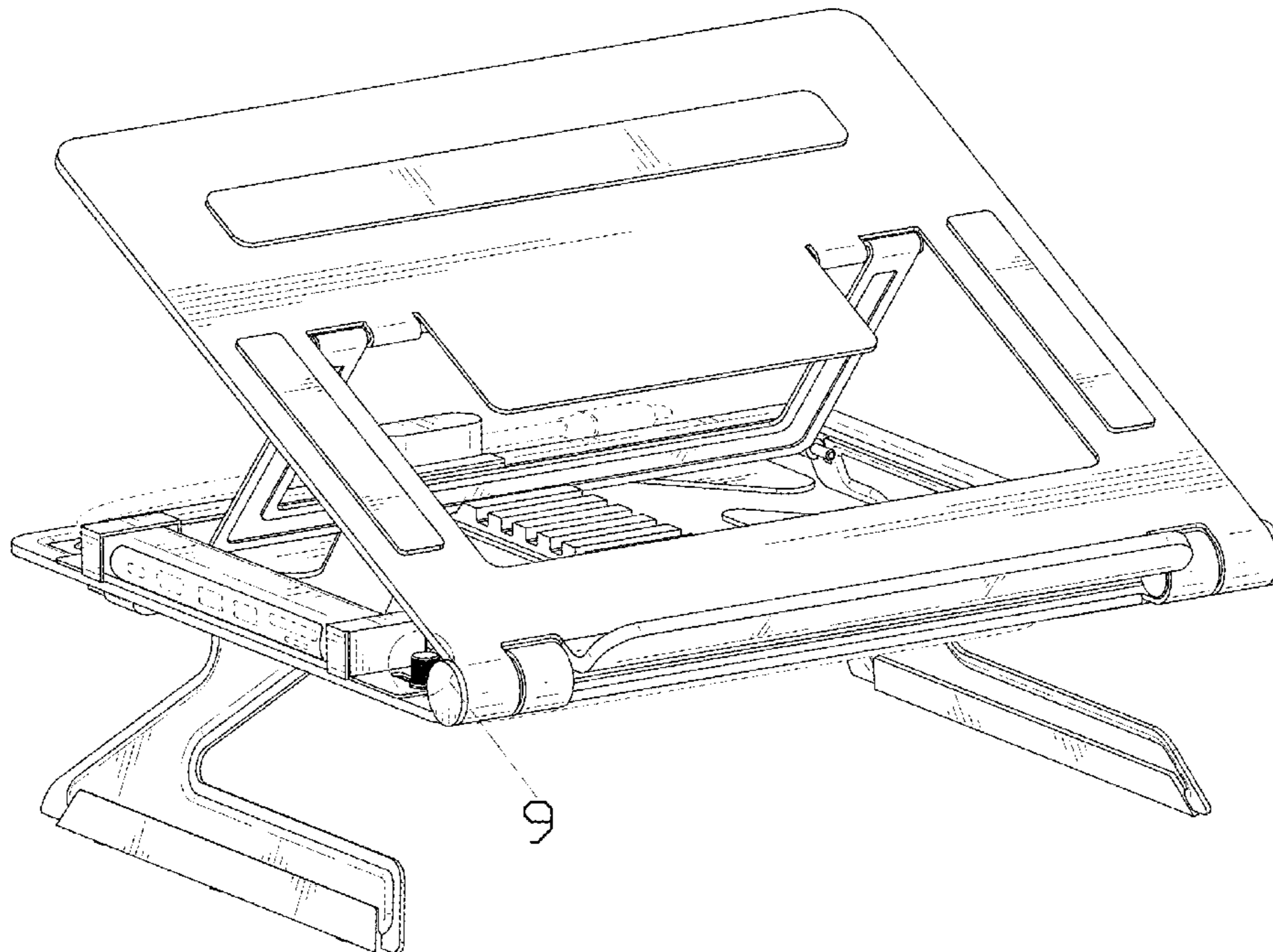
(57) **CLAIM**

The ornamental design for a laptop holder, as shown and described.

**DESCRIPTION**

FIG. 1 is a perspective view of a laptop holder showing my new design;  
FIG. 2 is another perspective view thereof;  
FIG. 3 is a front elevational view thereof;  
FIG. 4 is a rear elevational view thereof;  
FIG. 5 is a left side elevational view thereof;  
FIG. 6 is a right side elevational view thereof;  
FIG. 7 is a top plan view thereof;  
FIG. 8 is a bottom plan view thereof;  
FIG. 9 is an enlarged view of portion 9 shown in FIG. 1; and,  
FIG. 10 is an enlarged view of portion 10 shown in FIG. 5.  
The broken lines in the drawings depict portions of the laptop holder that form no part of the claimed design.

**1 Claim, 10 Drawing Sheets**



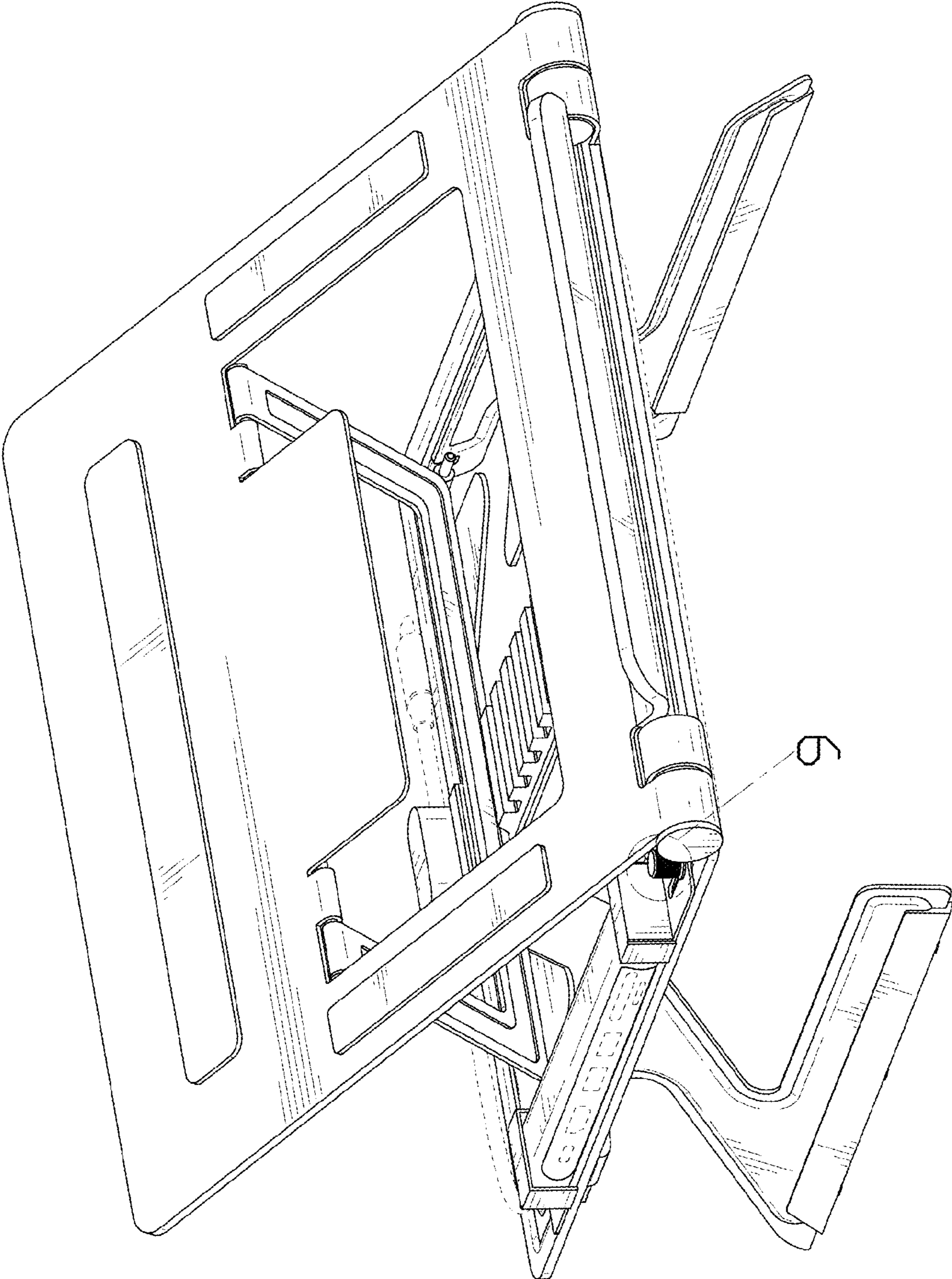


FIG. 1

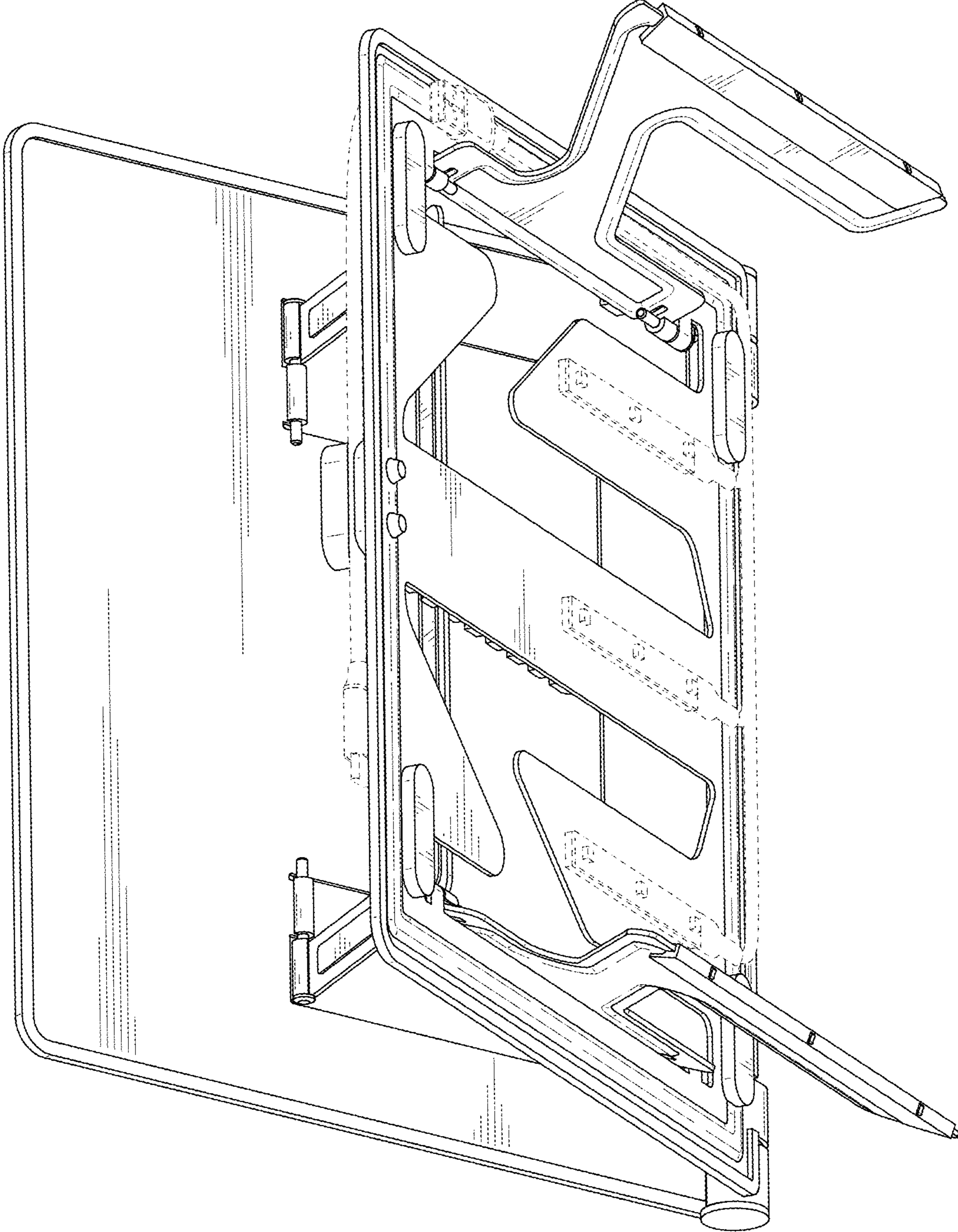


FIG. 2

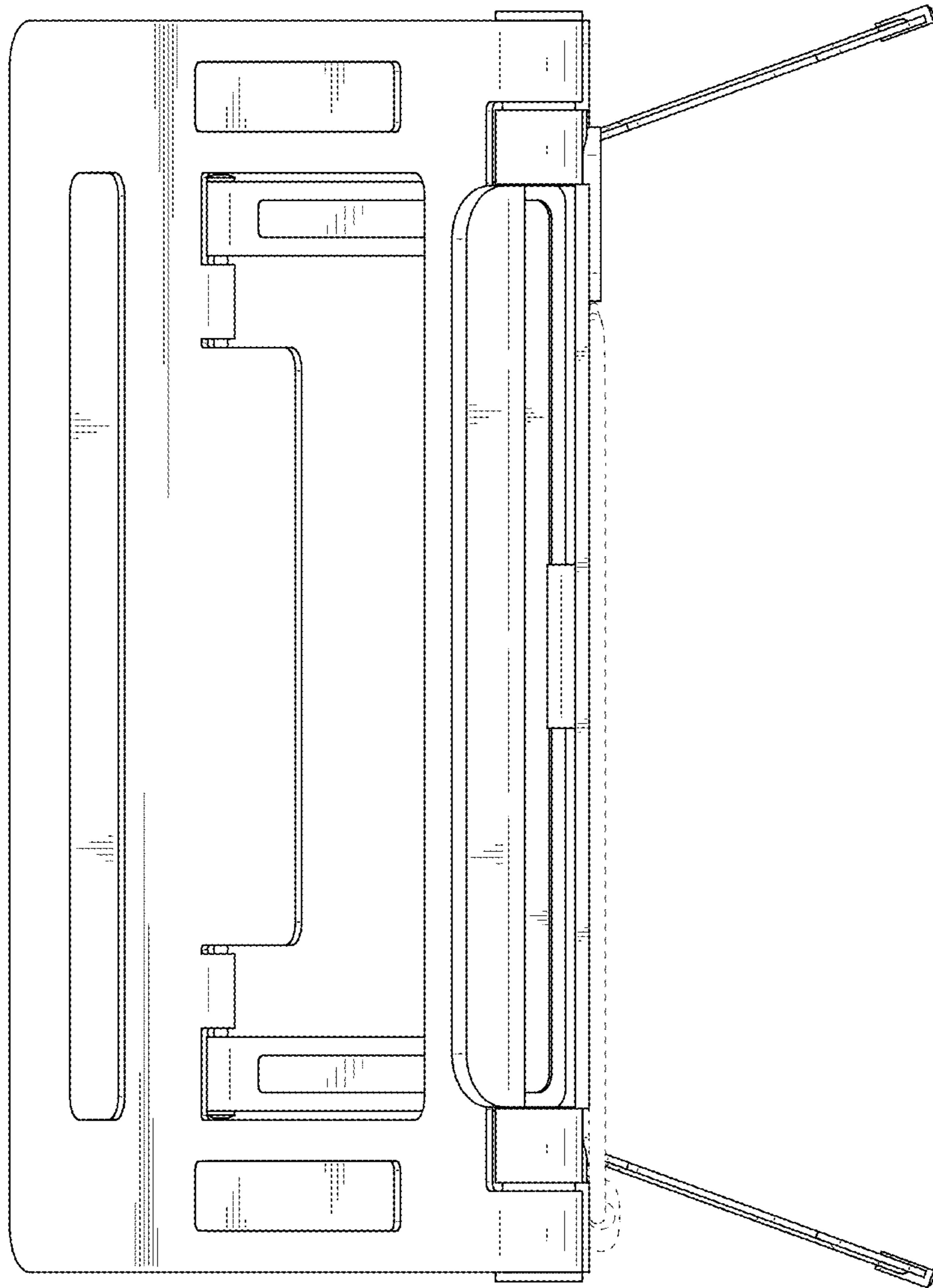


FIG. 3

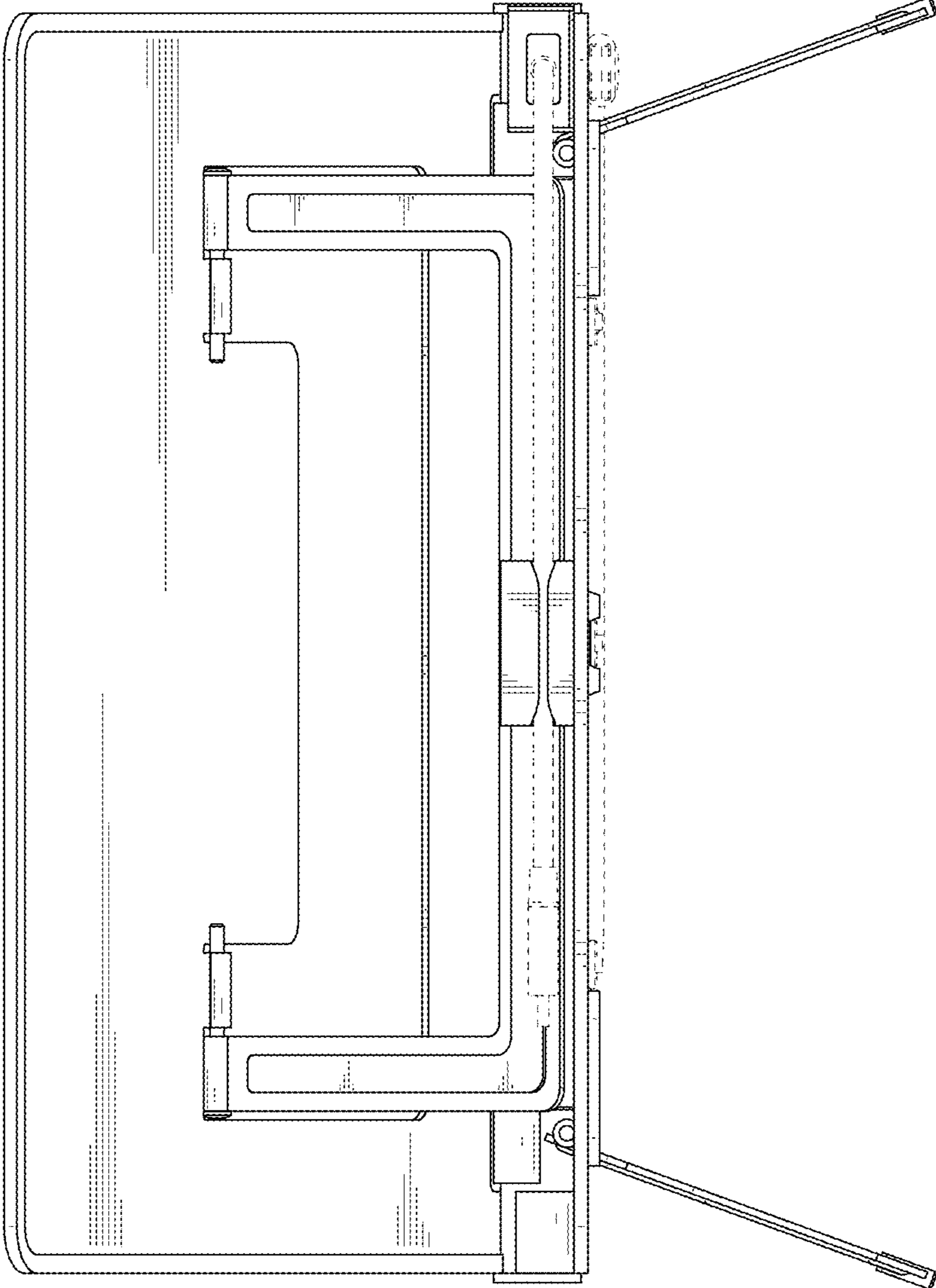


FIG. 4

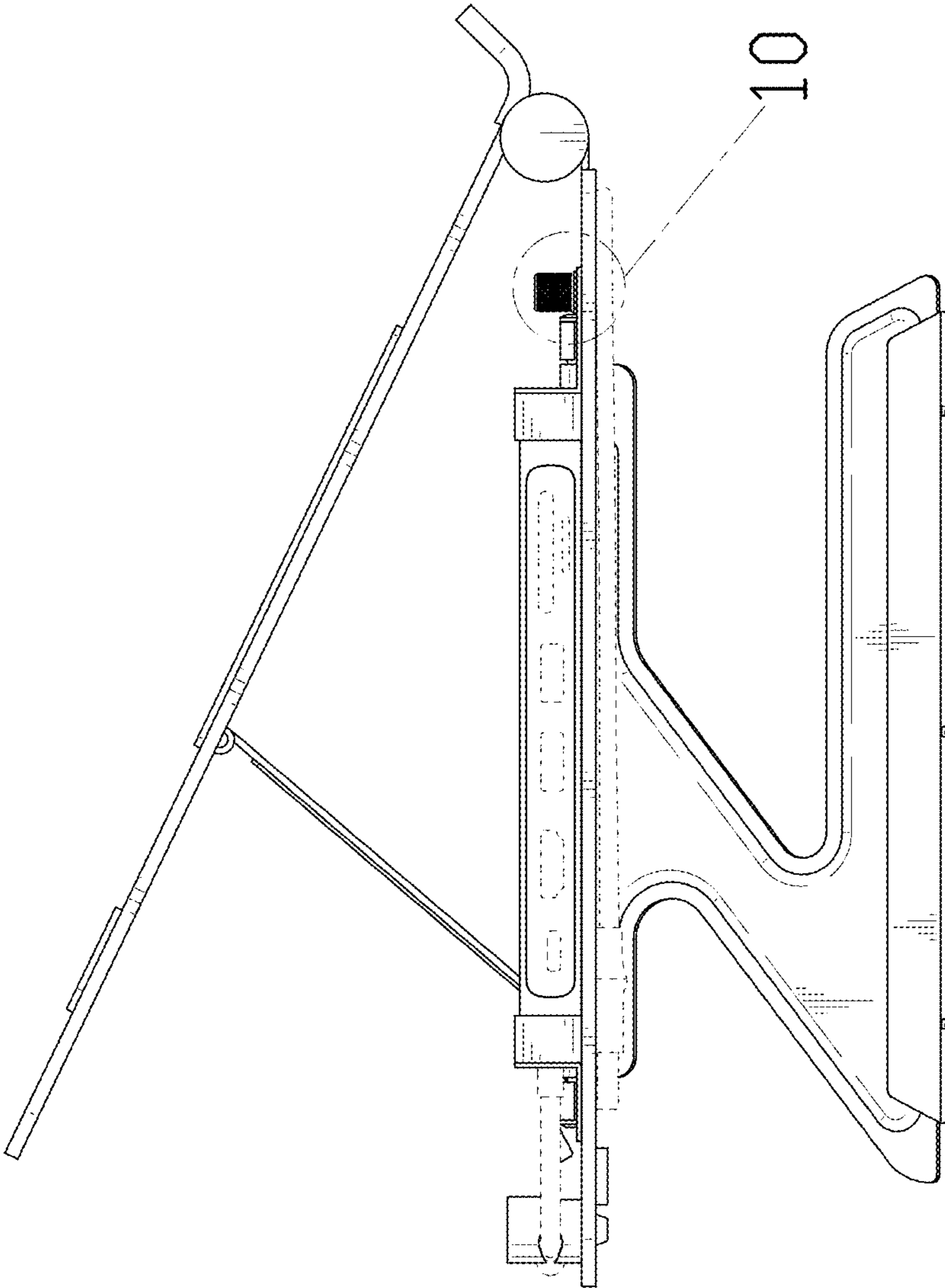


FIG. 5

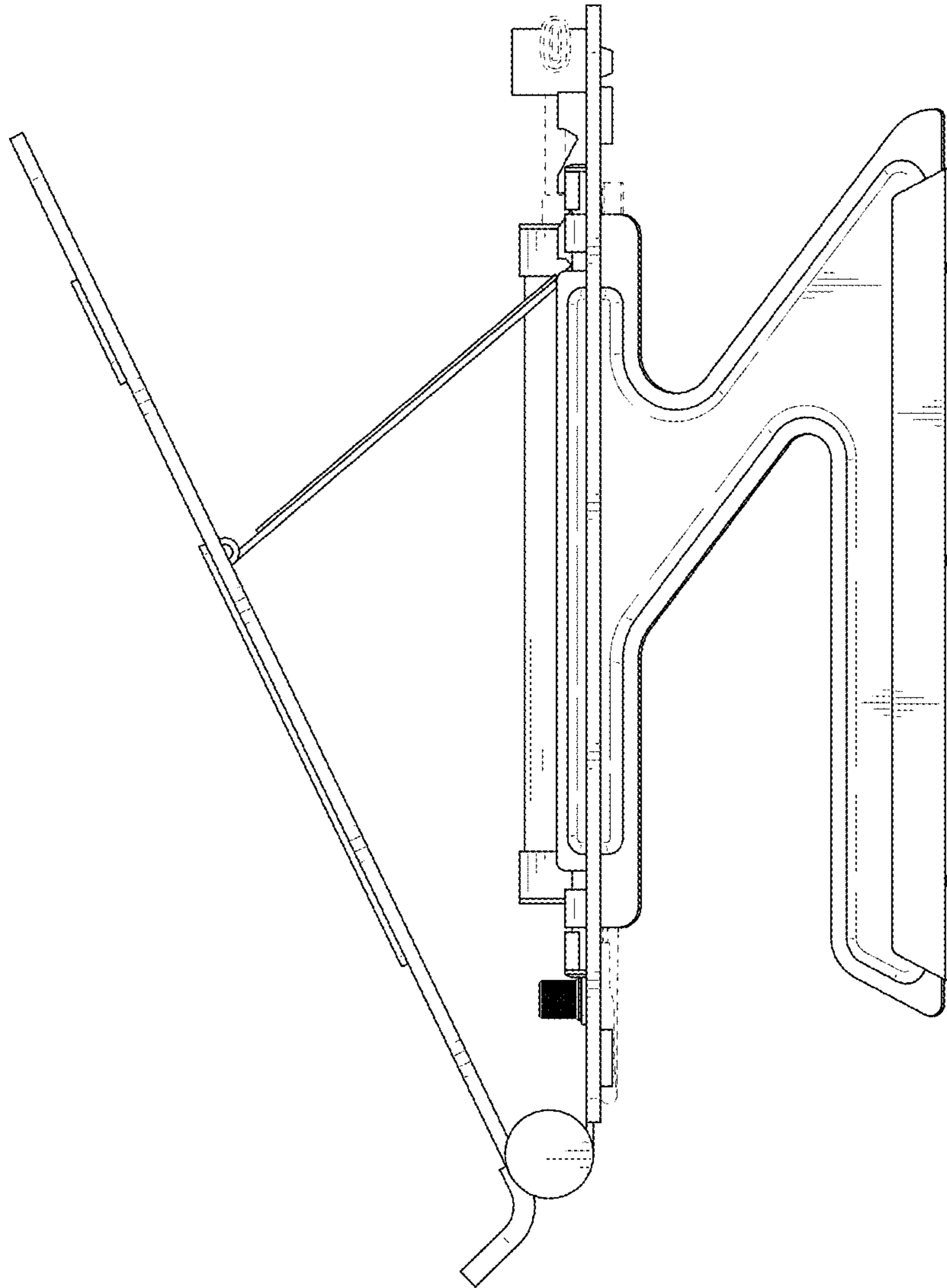


FIG. 6

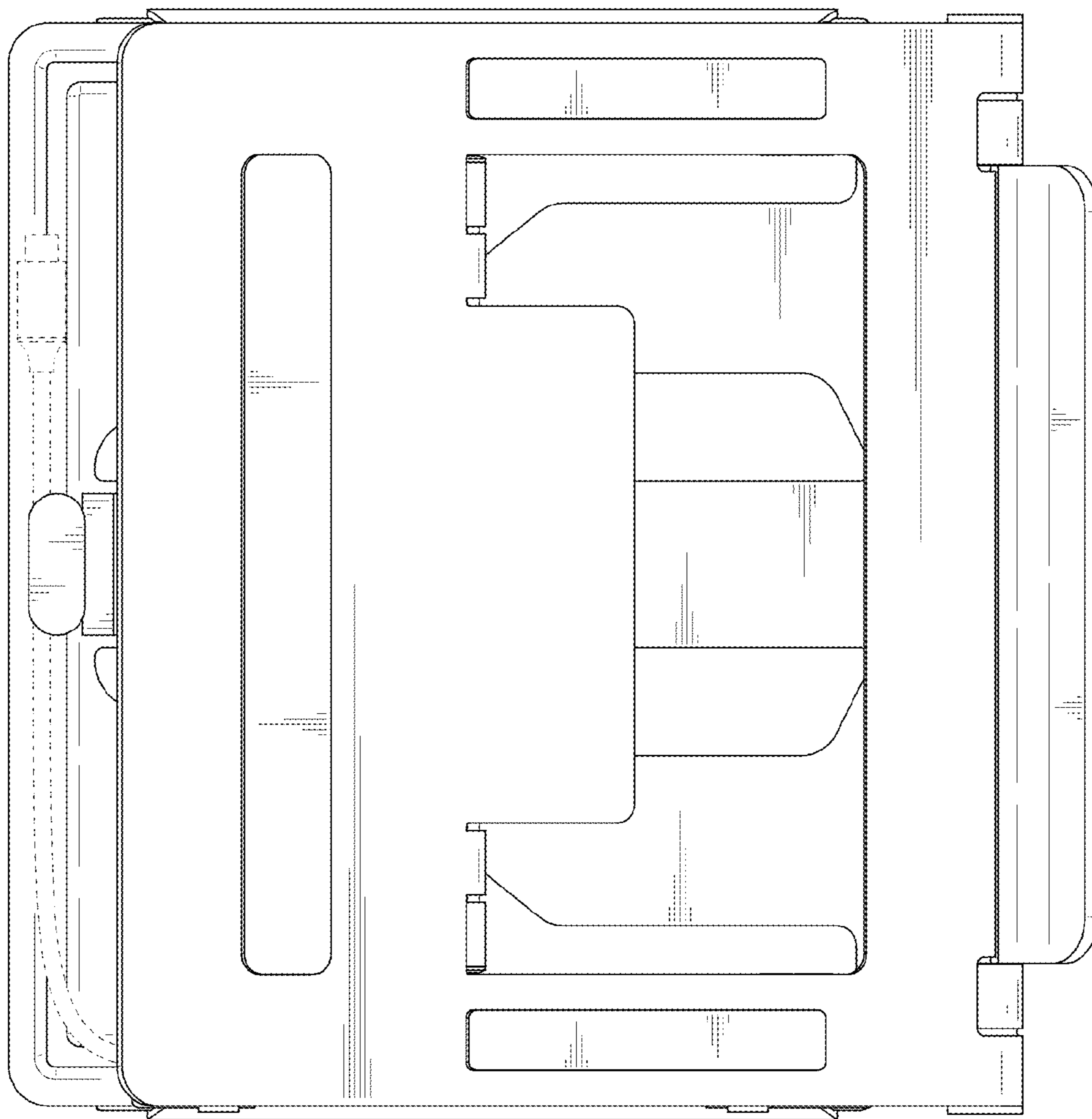


FIG. 7



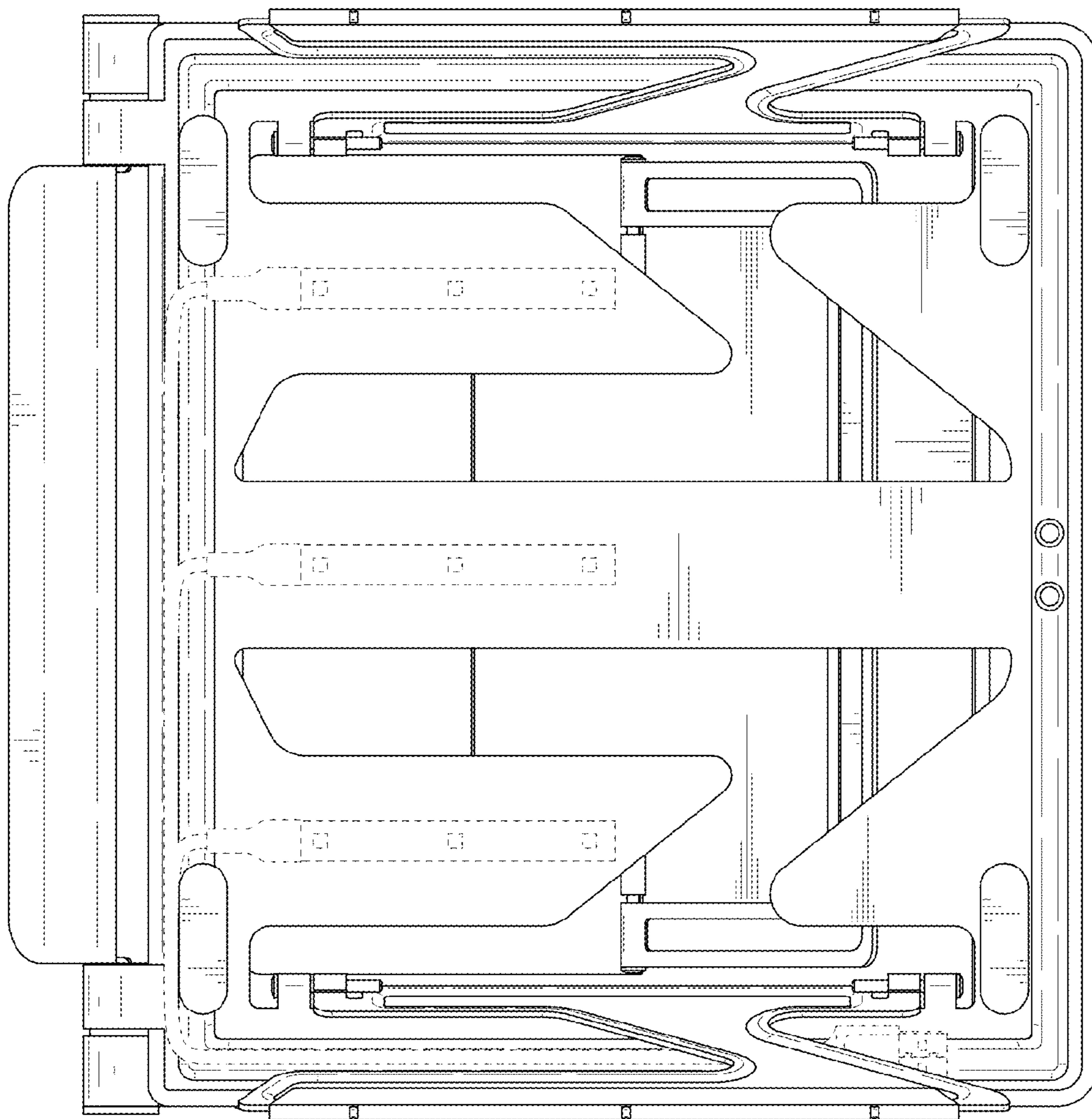


FIG. 8

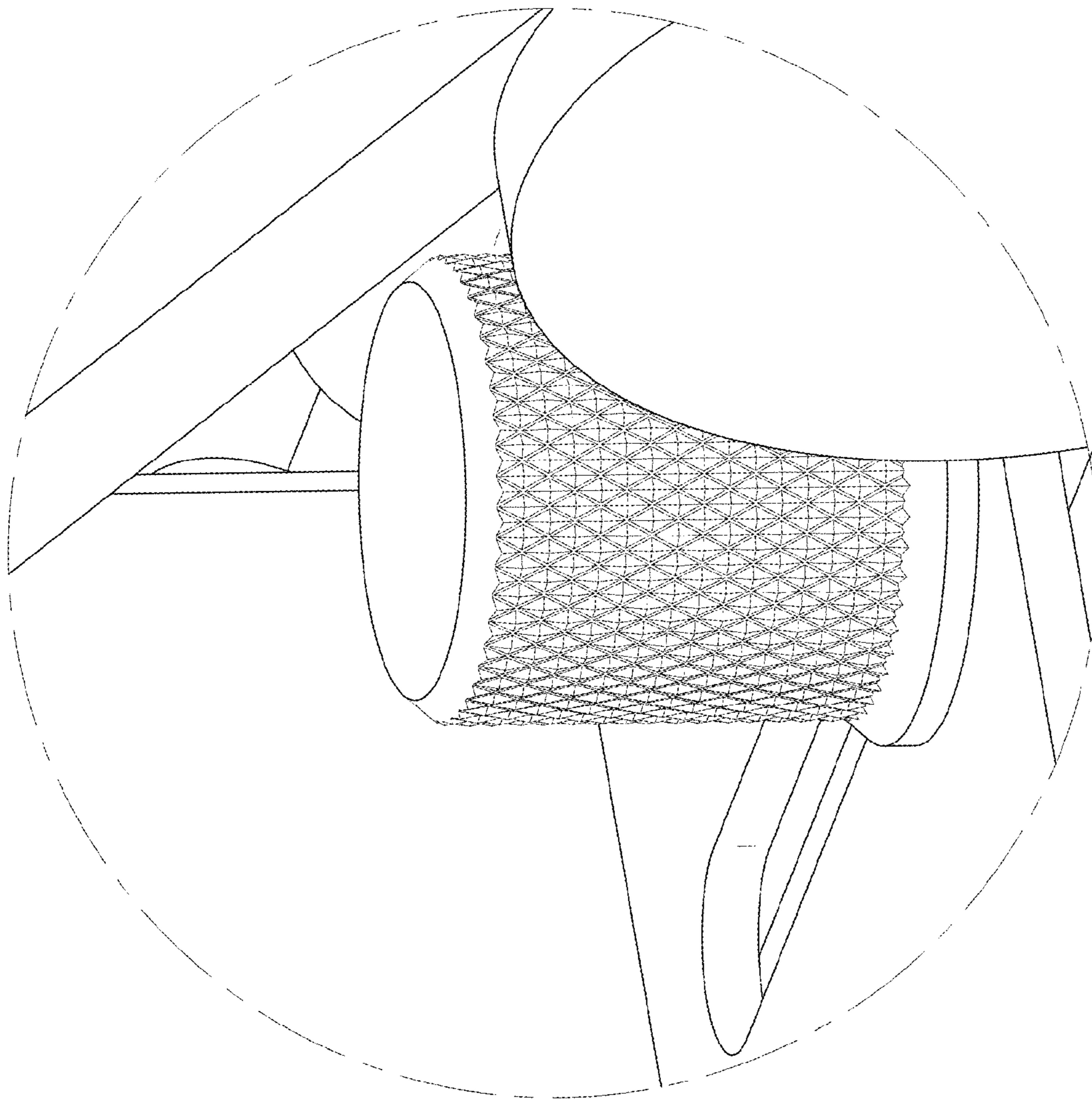


FIG. 9

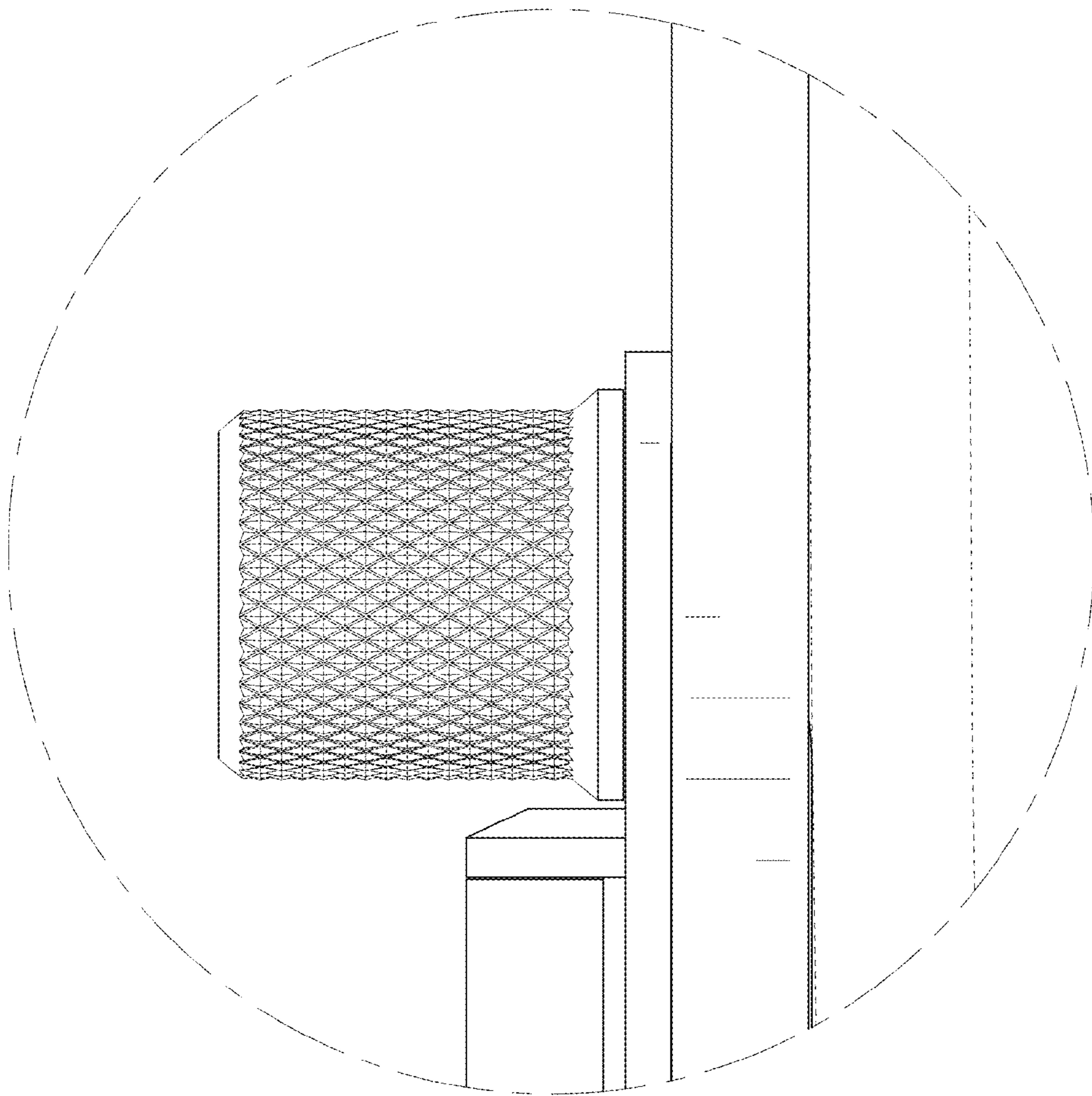


FIG. 10