

US00D947199S

(12) **United States Design Patent**
Chen

(10) **Patent No.:** **US D947,199 S**

(45) **Date of Patent:** **** Mar. 29, 2022**

(54) **ATTACHMENT FOR TABLET COMPUTER**

(71) Applicant: **Fanuc Corporation**, Yamanashi (JP)

(72) Inventor: **Tan Qin Chen**, Yamanashi (JP)

(73) Assignee: **Fanuc Corporation**

(**) Term: **15 Years**

(21) Appl. No.: **29/753,639**

(22) Filed: **Oct. 1, 2020**

(30) **Foreign Application Priority Data**

Apr. 3, 2020 (JP) 2020-007143

(51) **LOC (13) Cl.** **08-07**

(52) **U.S. Cl.**
USPC **D14/447**

(58) **Field of Classification Search**
USPC D14/447, 432, 434, 439, 440, 451, 452,
D14/457, 239, 253; D8/363, 373, 380;
D6/406.3, 406.4, 406.5, 406.6; D12/415;
D13/108

CPC A47B 21/04; A47B 2097/006; A47B
2097/005; A47B 2023/049; A45C
2011/002; A45C 2011/003; F16M
2200/00; F16M 13/00

See application file for complete search history.

(56) **References Cited**

U.S. PATENT DOCUMENTS

D552,615 S * 10/2007 Kuroiwa D14/447
D630,222 S * 1/2011 Lin D14/447
D650,774 S * 12/2011 Molter D14/239

D675,212 S * 1/2013 Chen D14/447
D689,057 S * 9/2013 Waterman D14/447
D692,013 S * 10/2013 Crysell D14/447
D748,099 S * 1/2016 Heid D14/447
D765,646 S * 9/2016 Deng D14/253
D784,997 S * 4/2017 Cheng D14/447
D785,638 S * 5/2017 Hsu D14/447
D881,898 S * 4/2020 Shubin, Sr. D14/447
D888,065 S * 6/2020 Ahn D14/447

FOREIGN PATENT DOCUMENTS

CN 304676555 6/2018
EM 002315531 9/2013
JP 1652365 S 2/2020

* cited by examiner

Primary Examiner — Angela J Lee

(74) *Attorney, Agent, or Firm* — RatnerPrestia

(57) **CLAIM**

The ornamental design for an attachment for tablet computer, as shown and described.

DESCRIPTION

FIG. 1 is a rear perspective view of an attachment for tablet computer showing my new design;
FIG. 2 is a front perspective view thereof;
FIG. 3 is a front elevational view thereof;
FIG. 4 is a rear elevational view thereof;
FIG. 5 is a left side elevational view thereof;
FIG. 6 is a right side elevational view thereof;
FIG. 7 is a top plan view thereof; and,
FIG. 8 is a bottom plan view thereof.

The broken line is included for the purpose of illustrating portions of the article and forms no part of the claimed design.

1 Claim, 7 Drawing Sheets

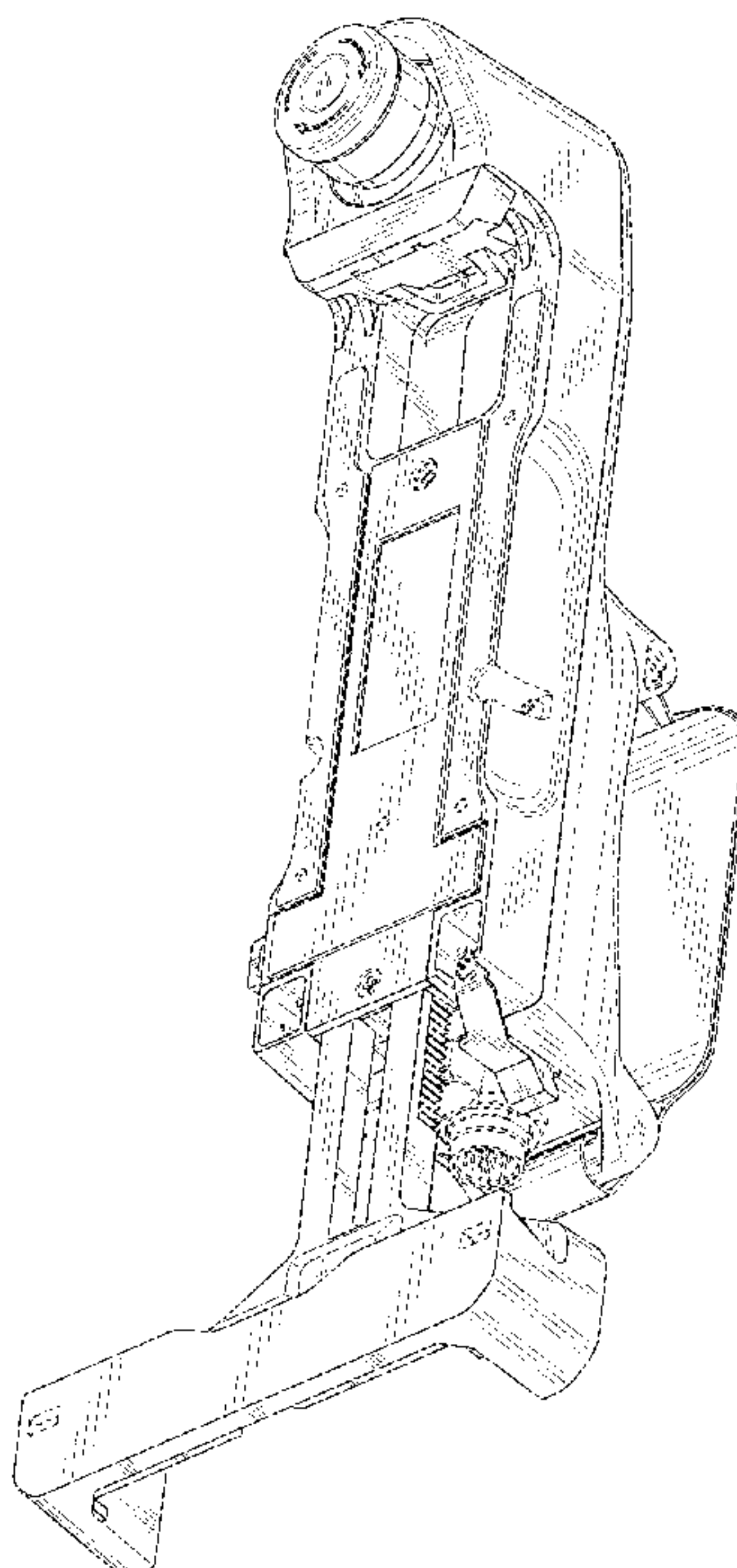


FIG. 1

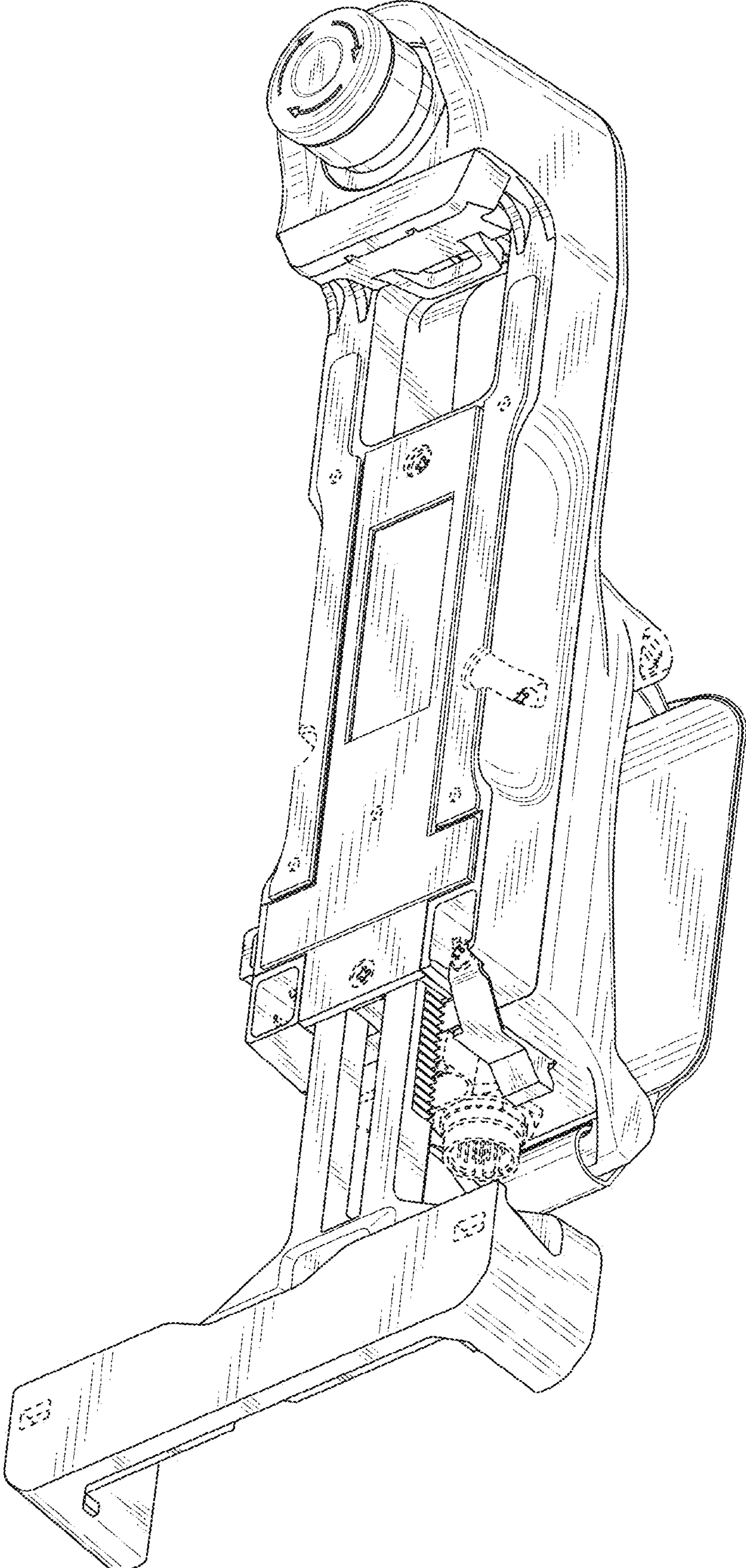


FIG. 2



FIG. 3

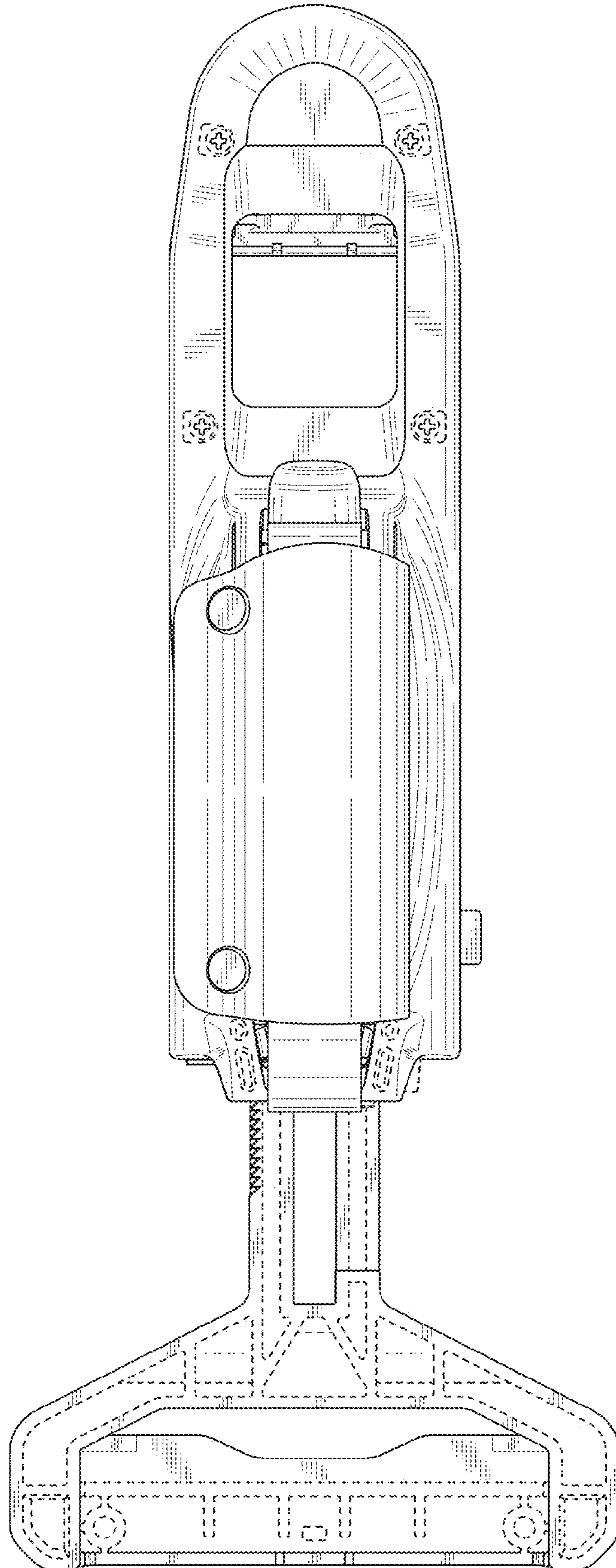


FIG. 4

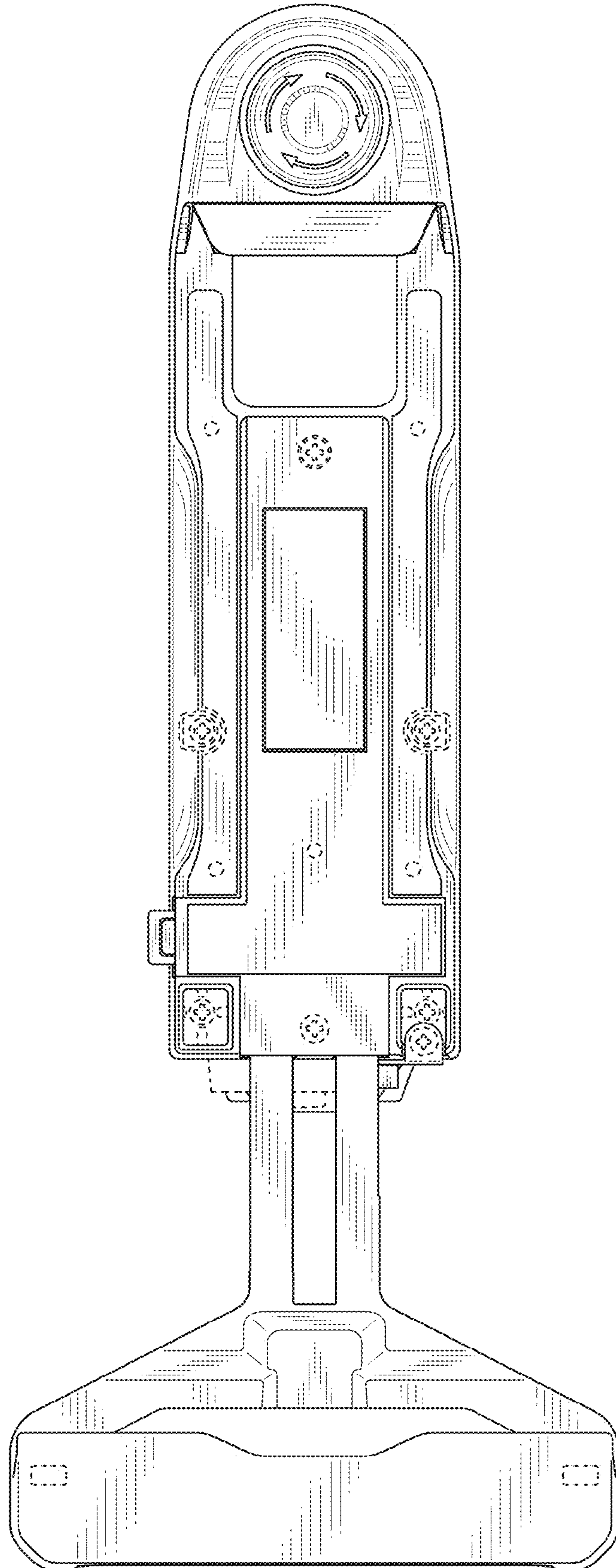


FIG. 5

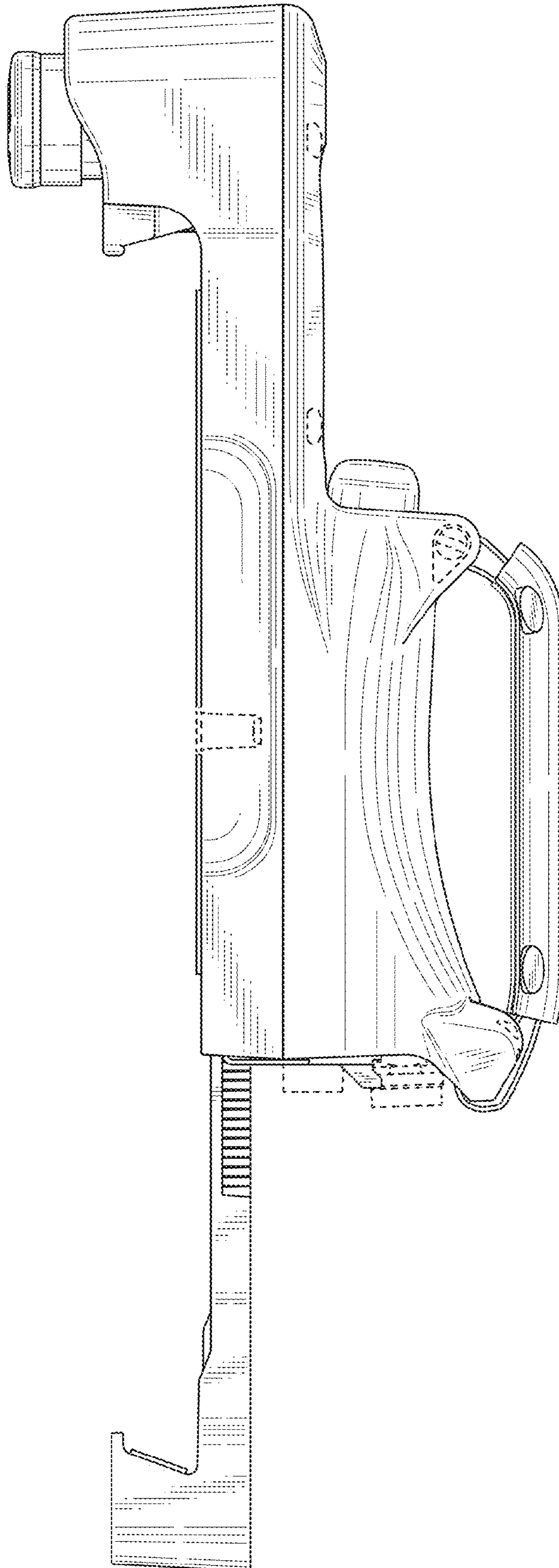


FIG. 6

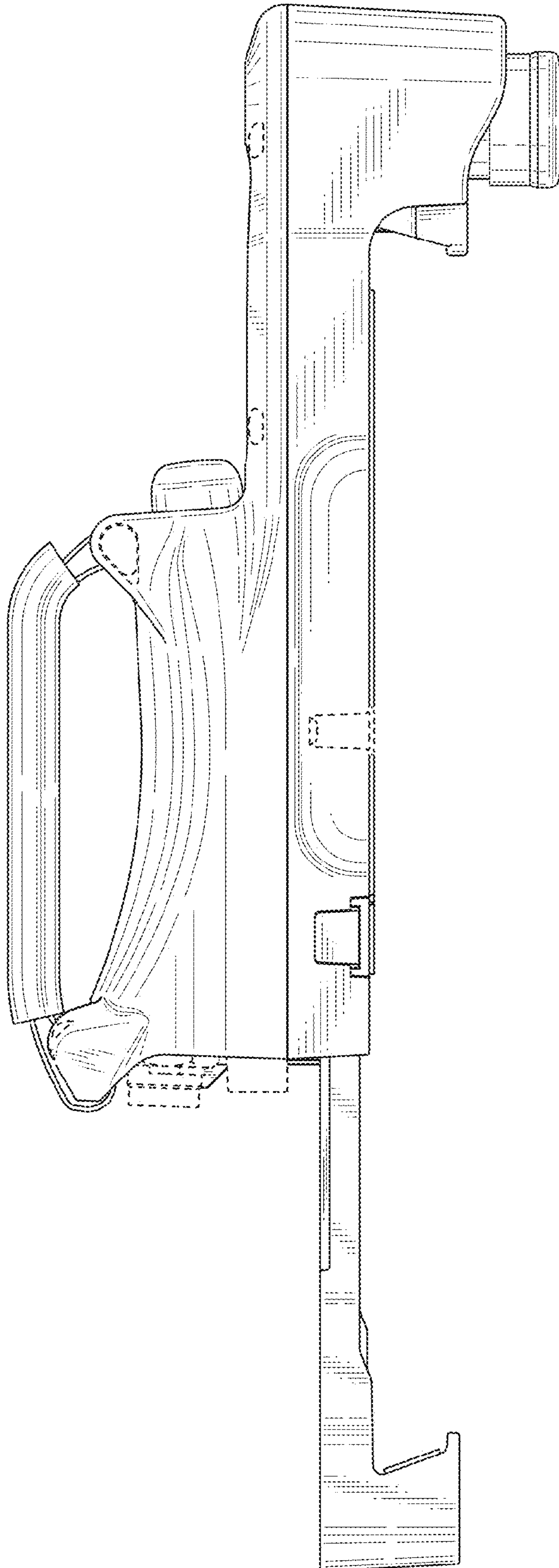


FIG. 7

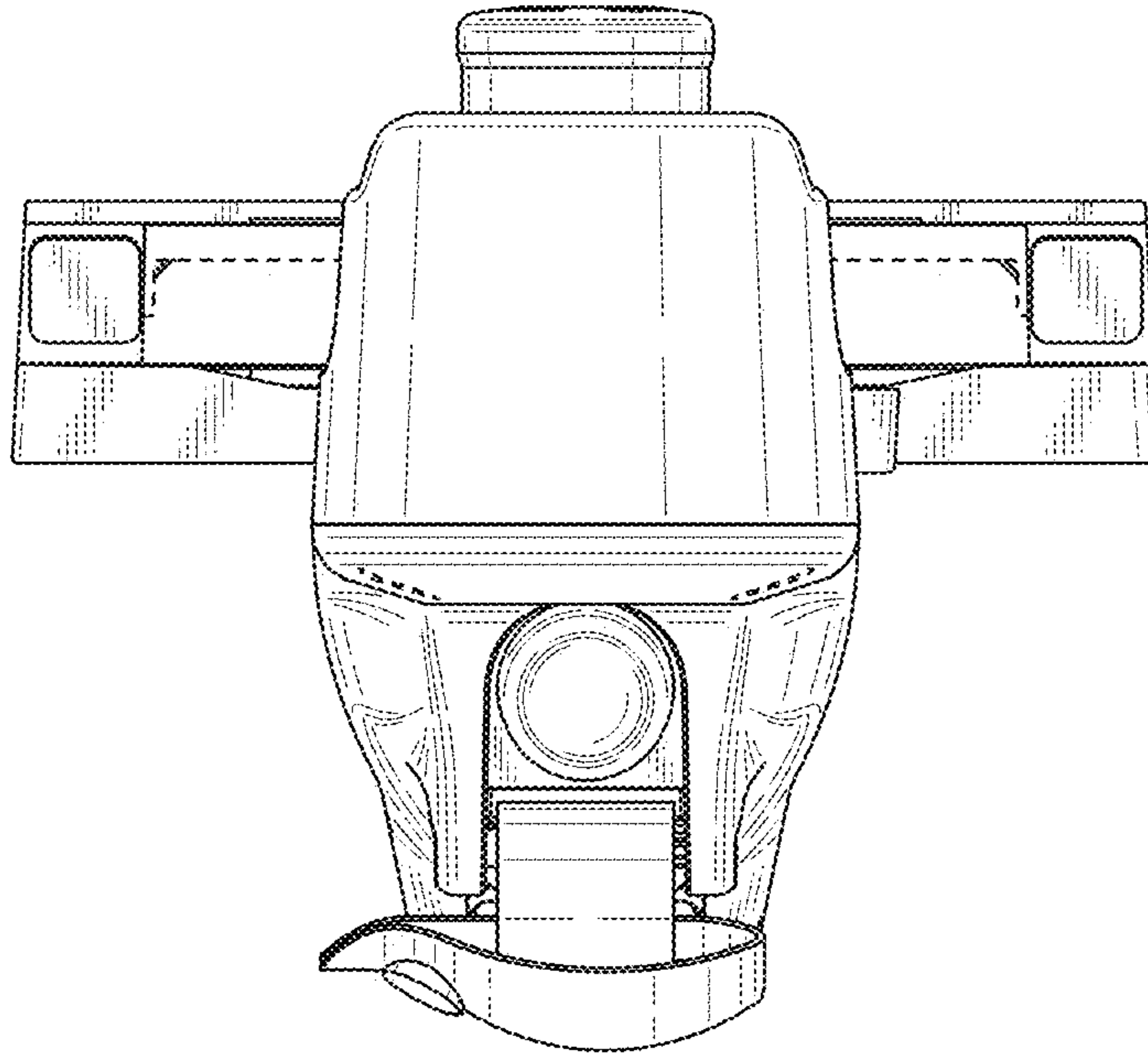


FIG. 8

