

US00D947198S

(12) **United States Design Patent** (10) **Patent No.:** **US D947,198 S**
Lee (45) **Date of Patent:** **** Mar. 29, 2022**

(54) **COVER FOR EARPHONE CASE OR THE LIKE**

D872,468 S * 1/2020 Lee D3/269
D872,469 S * 1/2020 Lee D3/269
D873,217 S * 1/2020 Zhang D13/108

(Continued)

(71) Applicant: **ELAGO CO. LTD**, Goyang-si (KR)

(72) Inventor: **Chanwoo Lee**, Goyang-si (KR)

(73) Assignee: **elago CO. LTD**, Goyang-si (KR)

(**) Term: **15 Years**

(21) Appl. No.: **29/786,548**

(22) Filed: **Jun. 1, 2021**

(51) **LOC (13) Cl.** **14-02**

(52) **U.S. Cl.**
USPC **D14/440**; D3/218; D3/294

(58) **Field of Classification Search**
USPC D14/440, 447, 250; 206/45.23, 320,
206/45.2; 361/679.55; 294/25; 224/218;
D3/294; D9/420

CPC G06F 1/1628; G06F 1/1626; A47B 23/044
See application file for complete search history.

(56) **References Cited**

U.S. PATENT DOCUMENTS

D467,799 S * 12/2002 Persson D9/423
D648,980 S * 11/2011 Forti D7/363
D731,178 S * 6/2015 Gorouvein D3/265
D775,818 S * 1/2017 Ingraham D3/218
D838,480 S * 1/2019 Son D3/294
D841,580 S * 2/2019 Bao D13/108
D841,581 S * 2/2019 Bonahoom D13/108
D849,401 S * 5/2019 Akana D3/274
D862,425 S * 10/2019 Yan D14/223
D864,110 S * 10/2019 Yoshimura D3/294
D864,971 S * 10/2019 Lee D14/440
D868,465 S * 12/2019 Lee D3/270
D869,147 S * 12/2019 Lian D3/273
D869,163 S * 12/2019 Maguire D3/301
D870,037 S * 12/2019 Lee D13/107
D870,451 S * 12/2019 Birger D3/201

FOREIGN PATENT DOCUMENTS

CN 305719724 4/2020
CN 305738778 4/2020

(Continued)

Primary Examiner — Cynthia R Underwood

(74) *Attorney, Agent, or Firm* — Paratus Law Group, PLLC

(57) **CLAIM**

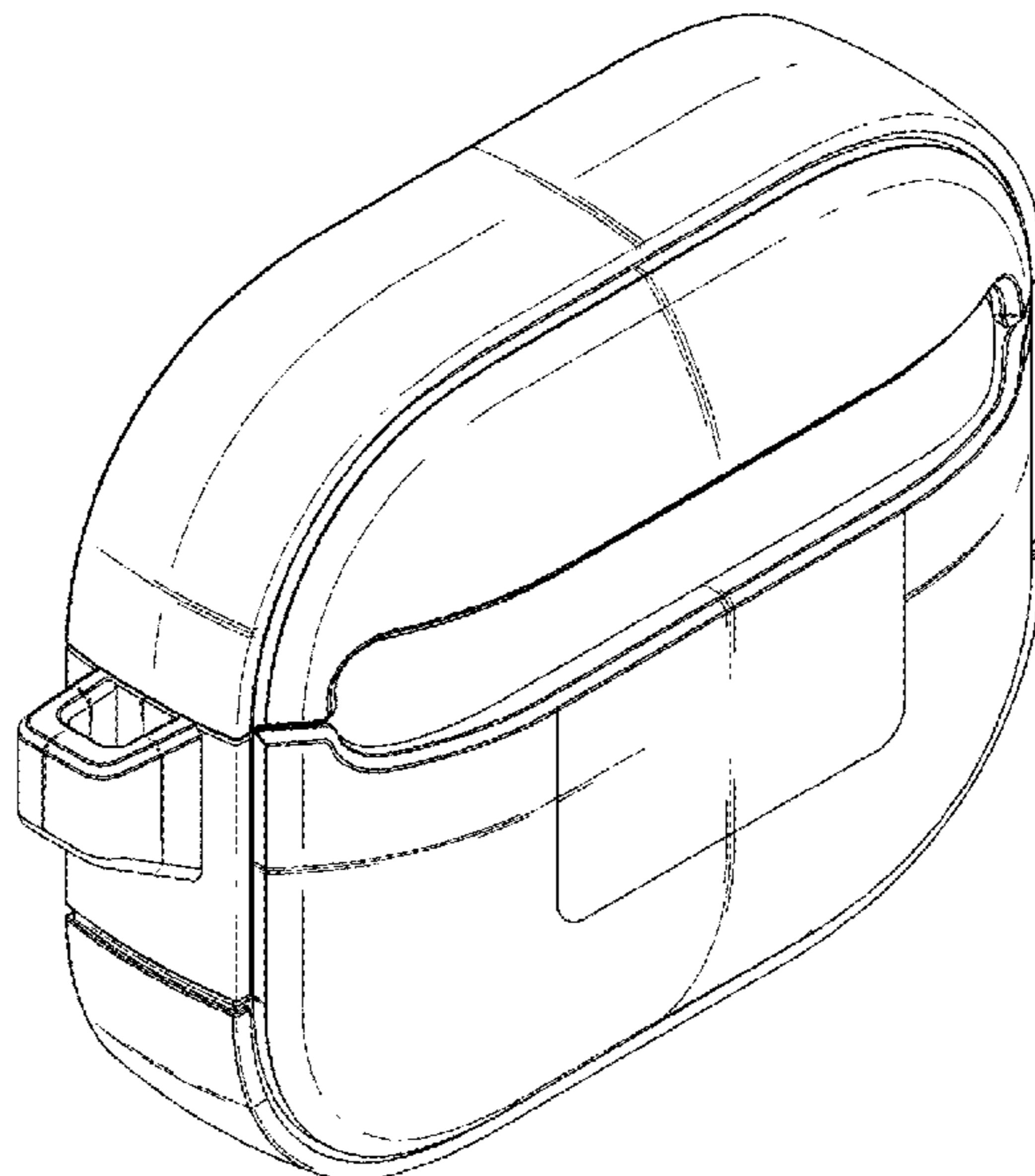
The ornamental design for a cover for earphone case or the like, as shown and described.

DESCRIPTION

FIG. 1 is a front, top, and right-side perspective view of a cover for earphone case or the like, showing my design; FIG. 2 is a front view thereof; FIG. 3 is a back view thereof; FIG. 4 is a left side view thereof; FIG. 5 is a right side view thereof; FIG. 6 is a top view thereof; FIG. 7 is a bottom view thereof; FIG. 8 is a back, top, and right-side perspective view thereof; and, FIG. 9 is a front, bottom, and right-side perspective view thereof.

The broken lines shown in FIG. 3 depict interior parts of the cover for earphone case or the like, which form no part of the claimed design. The broken lines shown in FIGS. 7 and 9 depict portions of the cover for earphone case or the like, which form no part of the claimed design. The interior parts of the cover for earphone case or the like, seen through openings in FIGS. 3 and 7-9, form no part of the claimed design.

1 Claim, 7 Drawing Sheets



(56)

References Cited

U.S. PATENT DOCUMENTS

D874,826 S * 2/2020 Zhang D3/303
 D878,045 S * 3/2020 Akana D3/274
 D881,179 S * 4/2020 Wright D14/250
 D881,572 S * 4/2020 Wang D3/294
 D888,039 S * 6/2020 Wright D3/218
 D888,040 S * 6/2020 Wright D3/218
 D888,041 S * 6/2020 Wright D3/218
 D888,042 S * 6/2020 Wright D3/218
 D888,043 S * 6/2020 Wright D3/218
 D892,497 S * 8/2020 Wright D3/218
 D892,498 S * 8/2020 Wright D3/218
 D903,316 S 12/2020 Kwak et al.
 D903,320 S 12/2020 Lee
 D905,430 S 12/2020 Kwak et al.
 D911,711 S * 3/2021 Feng D3/294
 D914,604 S 3/2021 Wang
 11,039,523 B2 * 6/2021 Wang H05B 47/12
 D926,470 S * 8/2021 Luo D3/294
 D927,181 S * 8/2021 Jung D3/294
 D927,182 S * 8/2021 Hyun D14/440
 D928,502 S * 8/2021 Weng D3/218

D931,268 S * 9/2021 Wright D3/218
 D933,351 S * 10/2021 Armstrong D3/273
 D933,595 S * 10/2021 Geng D3/294
 D934,869 S * 11/2021 Wright D14/440
 D935,179 S * 11/2021 Liu D3/294
 D936,968 S * 11/2021 Chen D3/294
 D938,159 S * 12/2021 Youn D3/273
 D938,430 S * 12/2021 Feng D14/440
 D942,387 S * 2/2022 Chen D3/294
 D942,942 S * 2/2022 Geng et al. D3/294
 D942,944 S * 2/2022 Liao D3/294
 2020/0100573 A1 * 4/2020 Ekelund A45C 13/005

FOREIGN PATENT DOCUMENTS

CN 305784130 5/2020
 CN 306074744 9/2020
 CN 306294536 1/2021
 IN 329302-001-0001 1/2021
 KR 301097575.0000 3/2021
 KR 301099317.0000 3/2021
 KR 301099318.0000 3/2021

* cited by examiner

FIG. 1

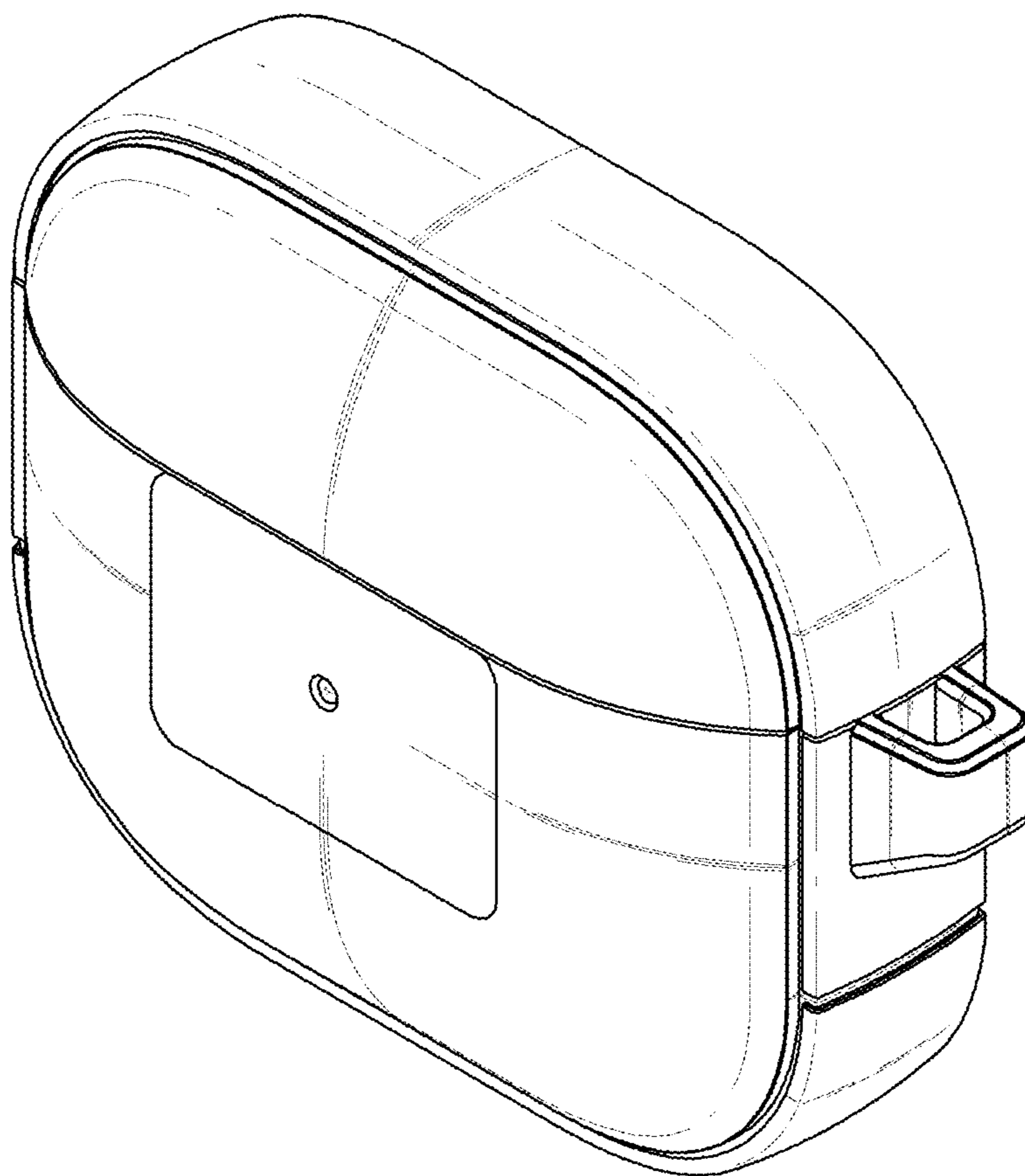


FIG. 2

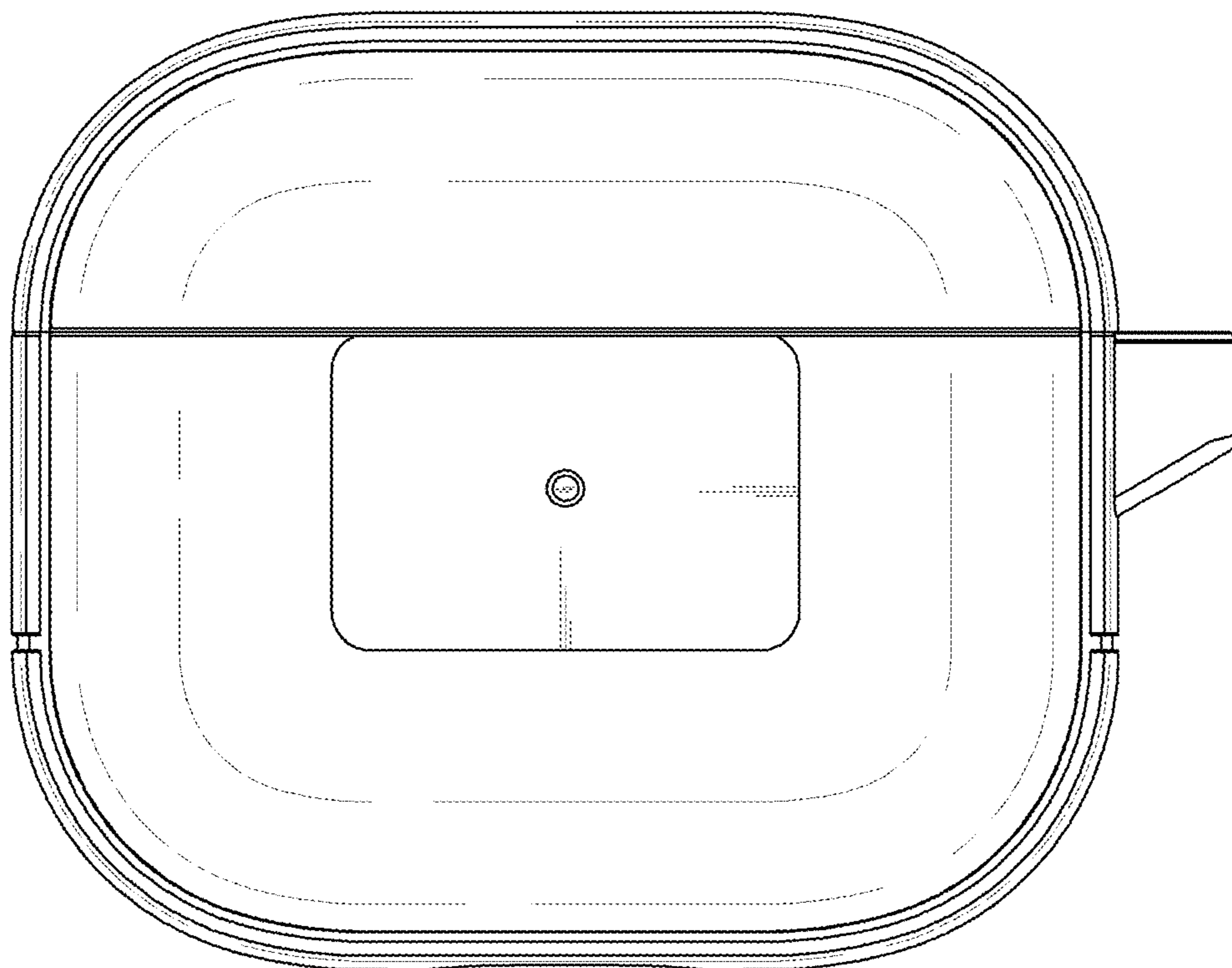


FIG. 3

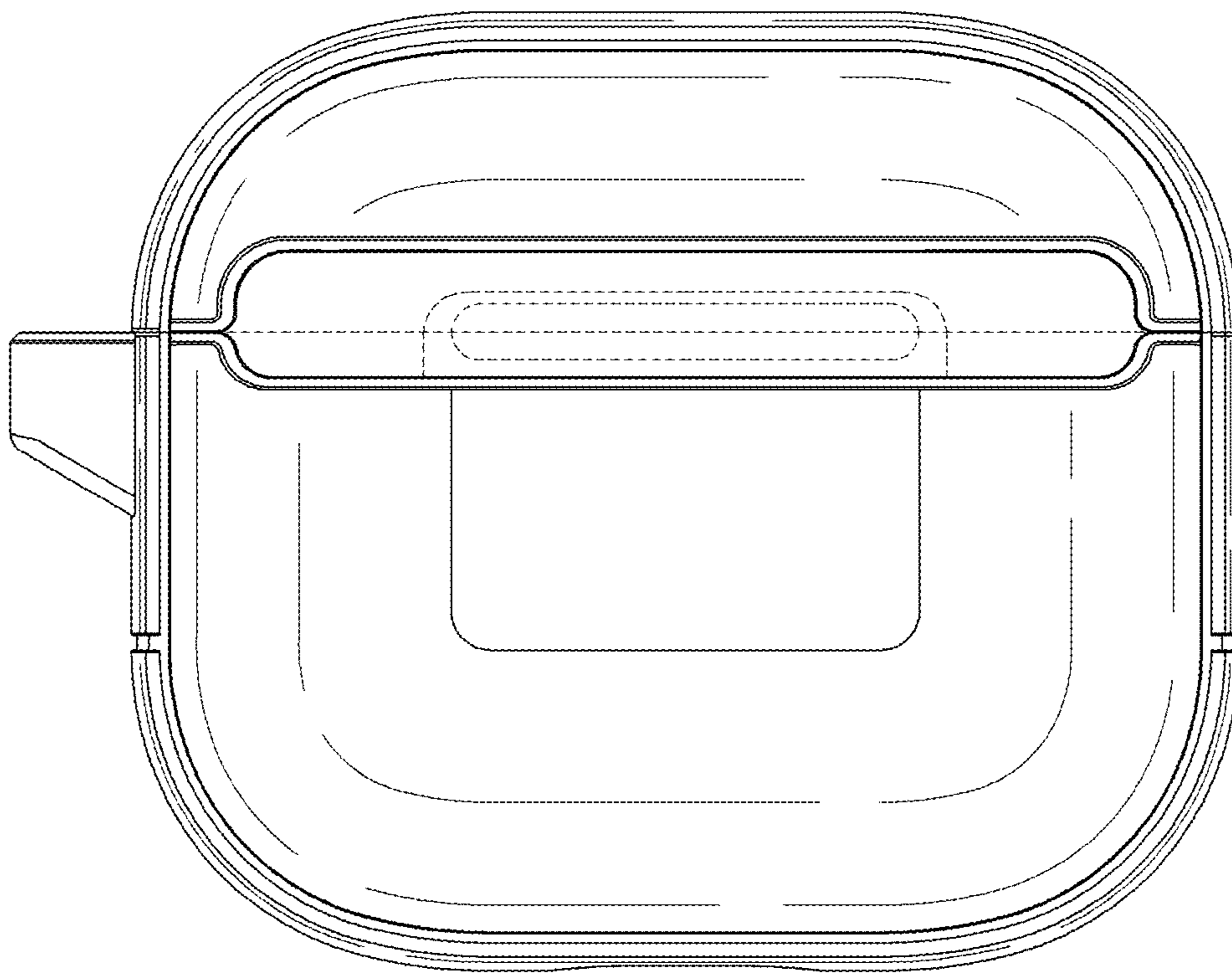


FIG. 4

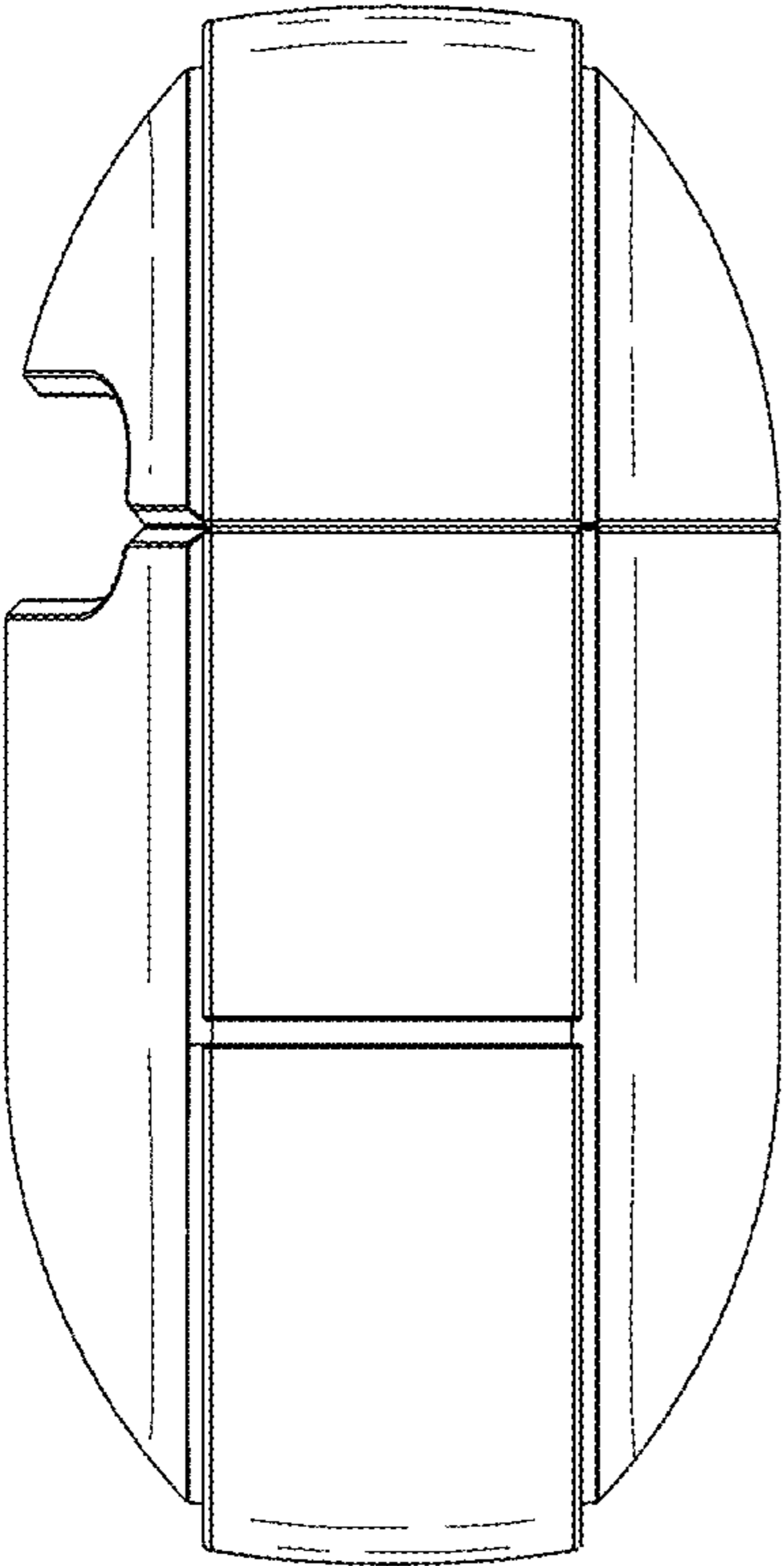


FIG. 5

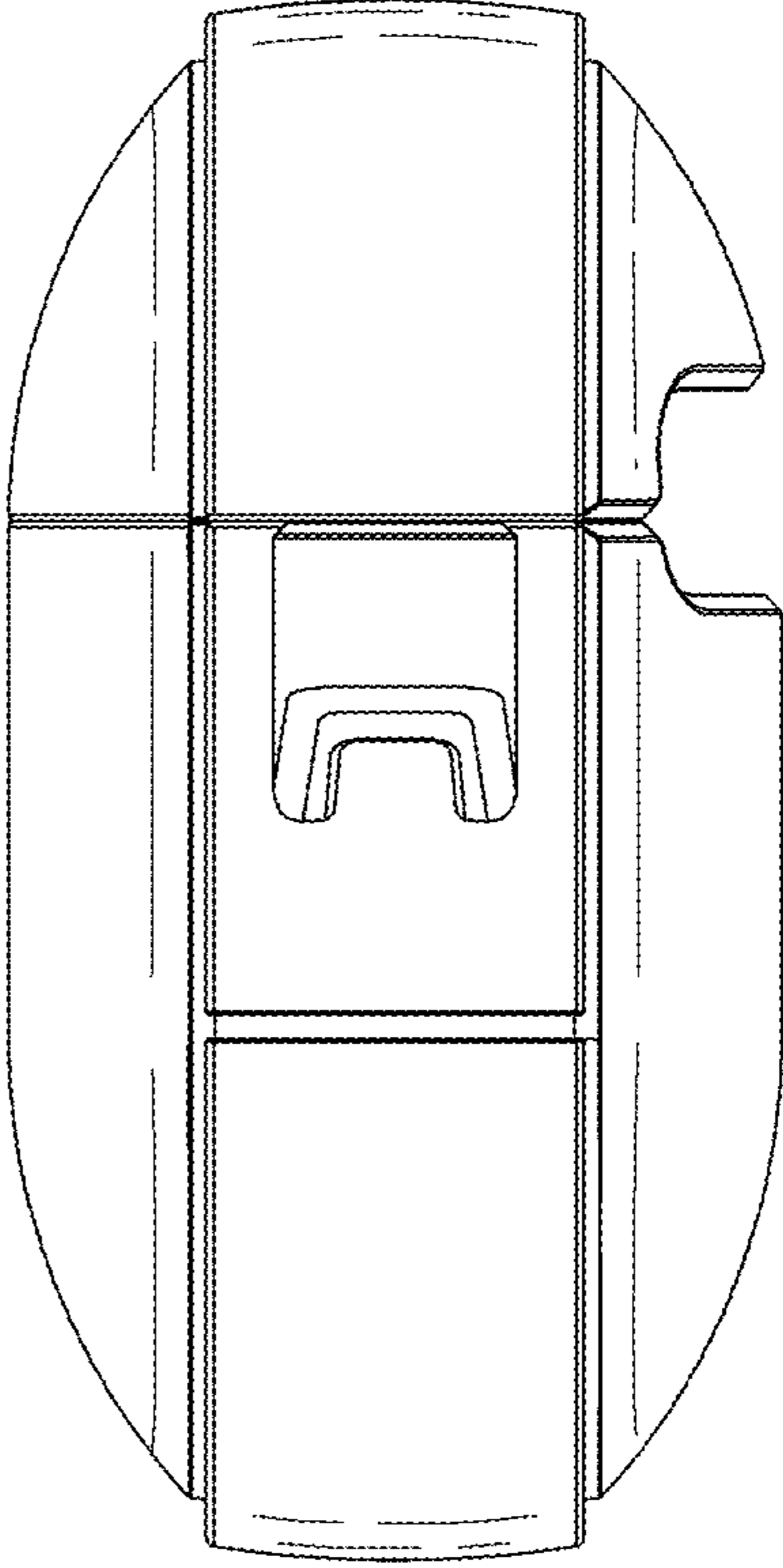


FIG. 6

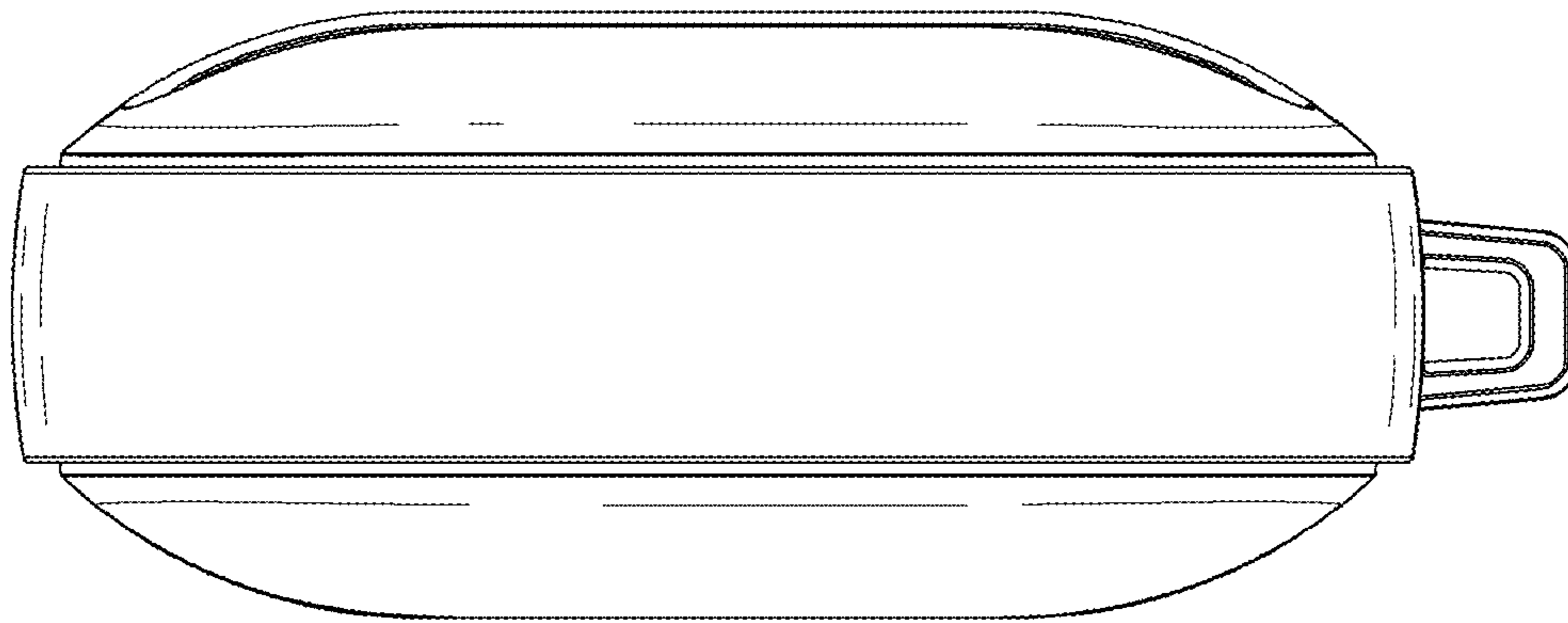


FIG. 7

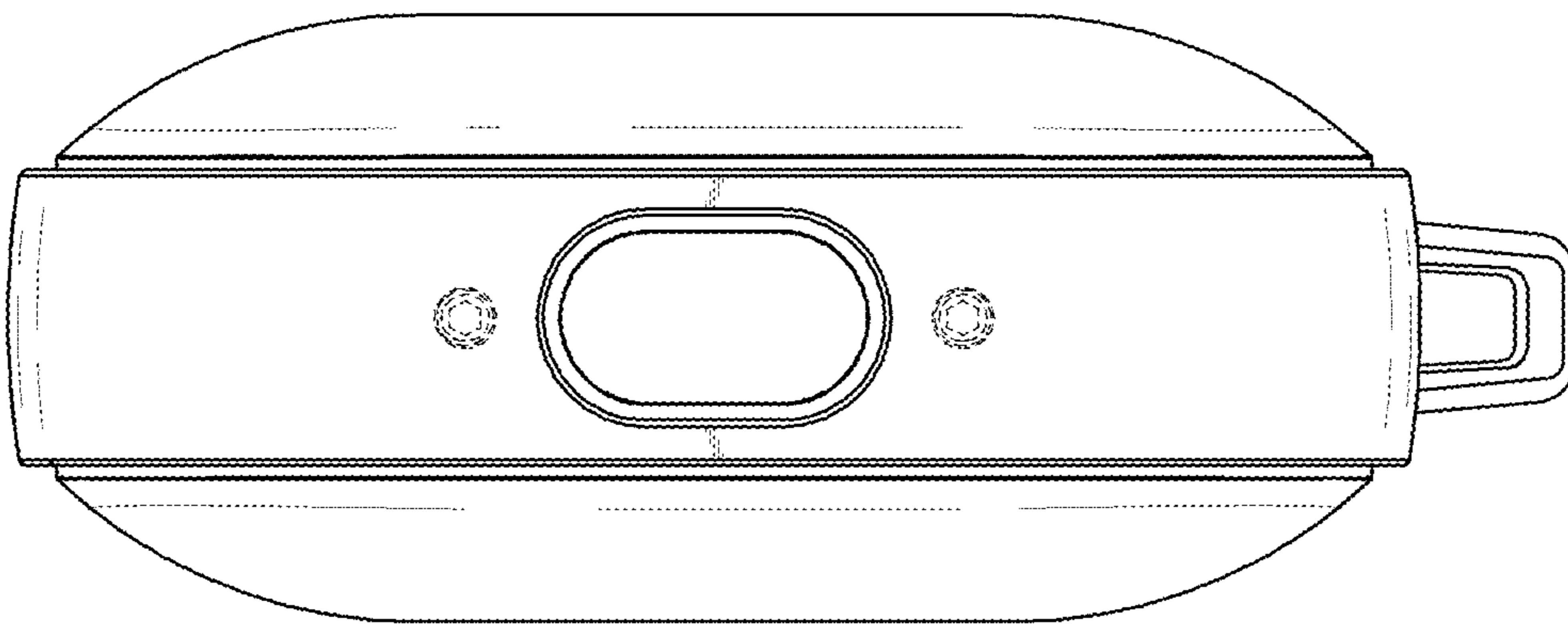


FIG. 8



FIG. 9

