



US00D947197S

(12) **United States Design Patent**  
**Cheng**

(10) **Patent No.:** **US D947,197 S**

(45) **Date of Patent:** **\*\* Mar. 29, 2022**

(54) **TABLET CASE**

(71) Applicant: **GUANGZHOU HUIYUE ELECTRONIC TECHNOLOGY CO., LTD.**, Guangzhou (CN)

(72) Inventor: **Ganhua Cheng**, Anqing (CN)

(73) Assignee: **GUANGZHOU HUIYUE ELECTRONIC TECHNOLOGY CO., LTD.**, Guangzhou (CN)

(\*\*) Term: **15 Years**

(21) Appl. No.: **29/768,387**

(22) Filed: **Jan. 29, 2021**

(51) **LOC (13) Cl.** ..... **14-02**

(52) **U.S. Cl.**  
USPC ..... **D14/440**

(58) **Field of Classification Search**  
USPC ..... D14/440, 447, 250; 206/45.23, 320, 206/45.2; 361/679.55; 294/25; 224/218; 455/575.8  
CPC ... G06F 1/1628; G06F 1/1626; A47B 23/044; H04B 1/3888; A45C 11/00  
See application file for complete search history.

(56) **References Cited**

**U.S. PATENT DOCUMENTS**

D831,030 S \* 10/2018 Gao ..... D14/440  
D851,648 S 6/2019 Tan

D851,649 S \* 6/2019 Tan ..... D14/440  
D868,072 S 11/2019 Lei  
D924,877 S \* 7/2021 Weng ..... D14/440  
D930,002 S \* 9/2021 Zhou ..... D14/440  
D935,468 S \* 11/2021 Li ..... D14/440  
2019/0227595 A1\* 7/2019 Ferren ..... F16M 13/04

\* cited by examiner

*Primary Examiner* — Cynthia R Underwood

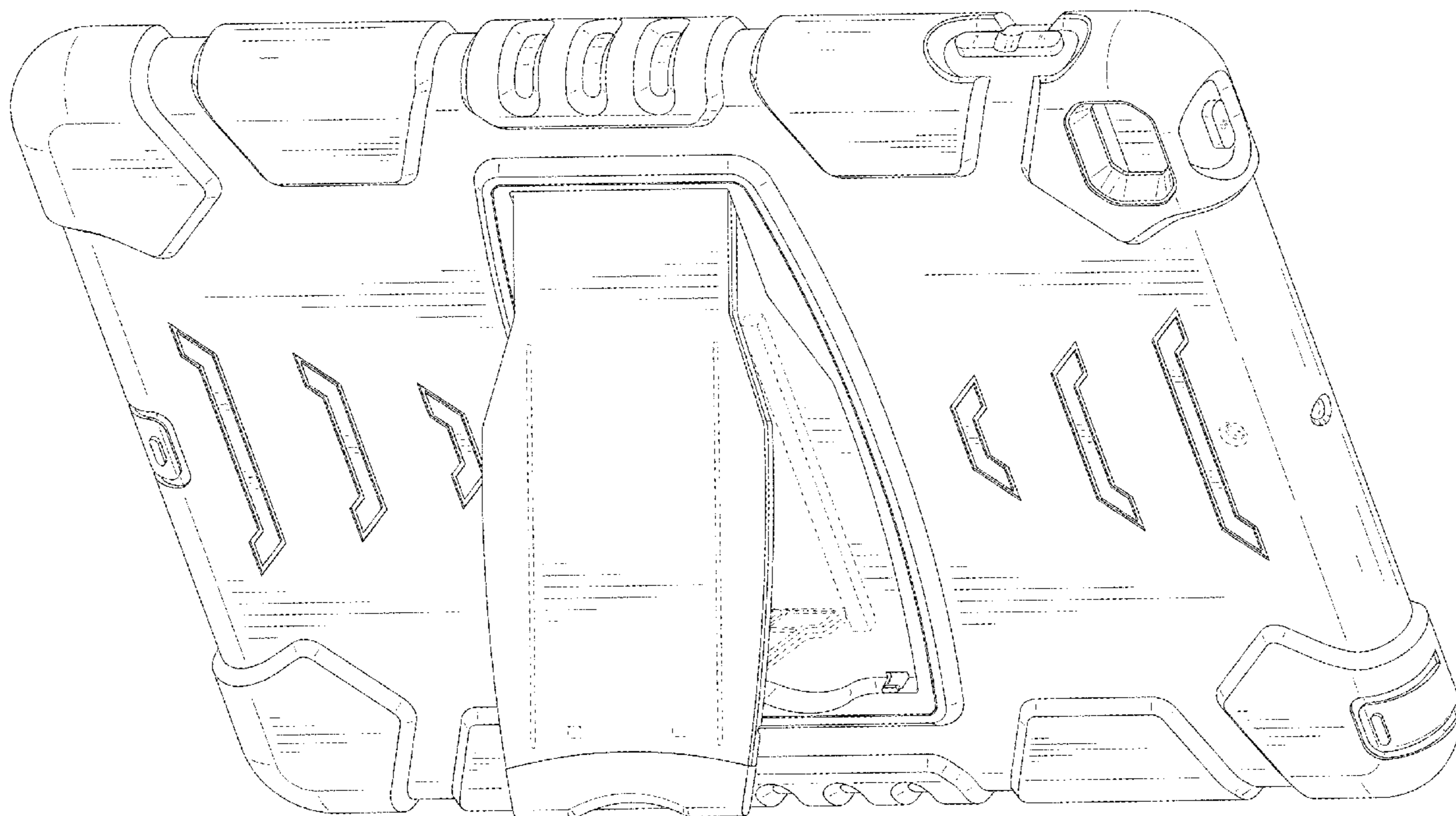
(57) **CLAIM**

The ornamental design for a tablet case, as shown and described.

**DESCRIPTION**

FIG. 1 is a perspective view of a tablet case showing my new design;  
FIG. 2 is another perspective view thereof;  
FIG. 3 is a front elevational view thereof;  
FIG. 4 is a rear elevational view thereof;  
FIG. 5 is a left side elevational view thereof;  
FIG. 6 is a right side elevational view thereof;  
FIG. 7 is a top plan view thereof;  
FIG. 8 is a bottom plan view thereof;  
FIG. 9 is a perspective view of the tablet case where a kickstand of the tablet case is in an open state; and,  
FIG. 10 is another perspective view thereof.  
The broken lines in the drawings depict portions of the tablet case that form no part of the claimed design.

**1 Claim, 10 Drawing Sheets**



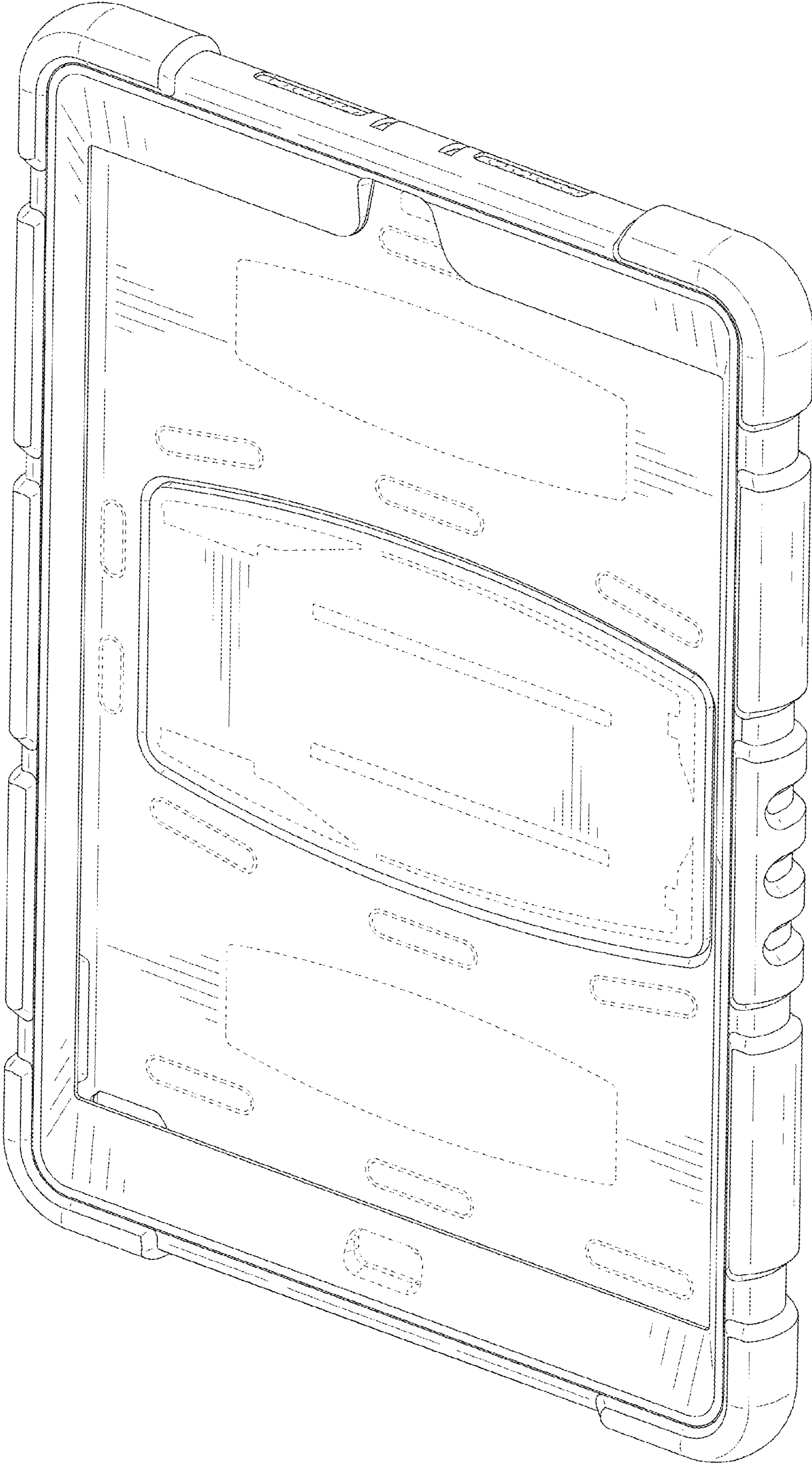


FIG. 1

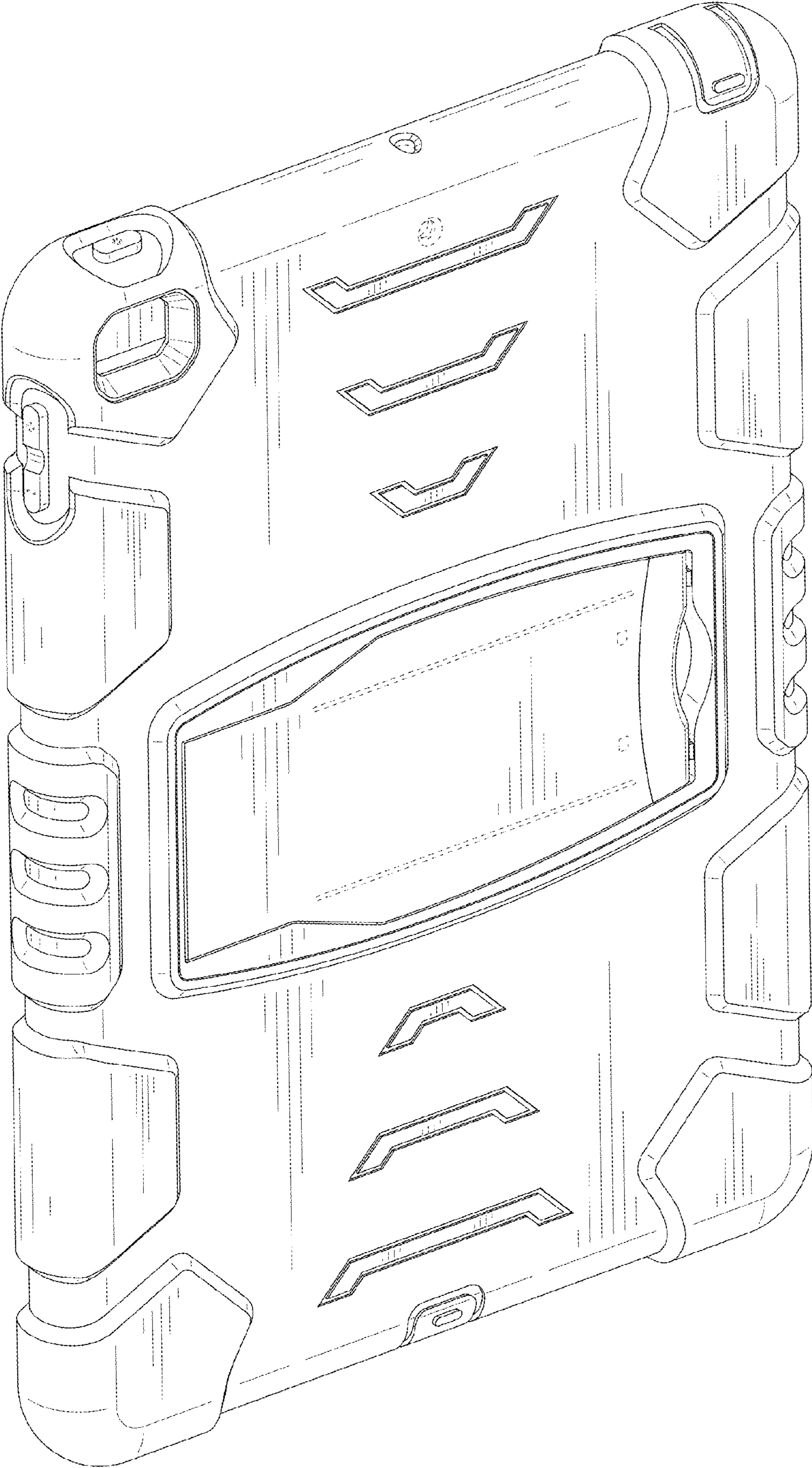


FIG. 2

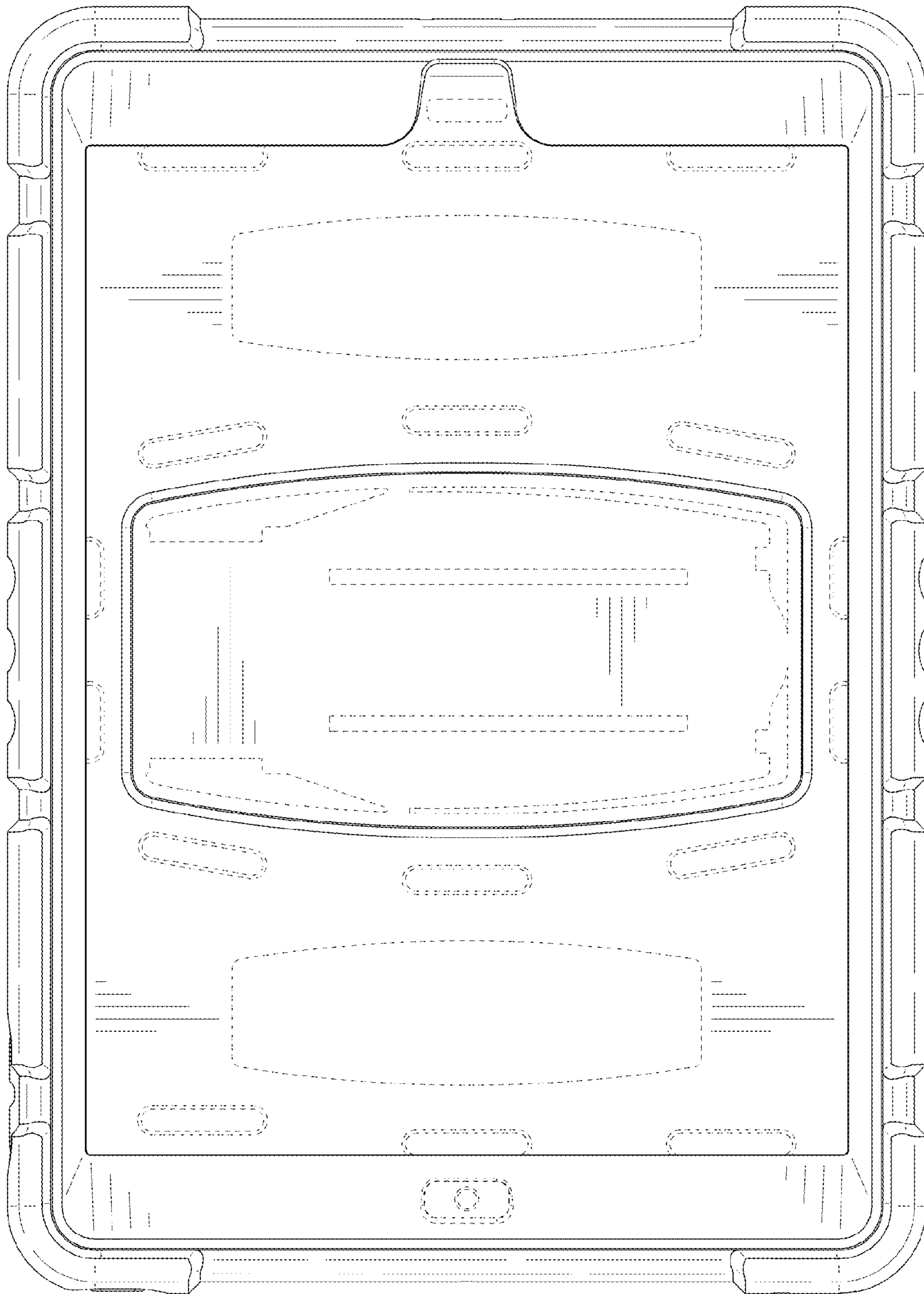


FIG. 3

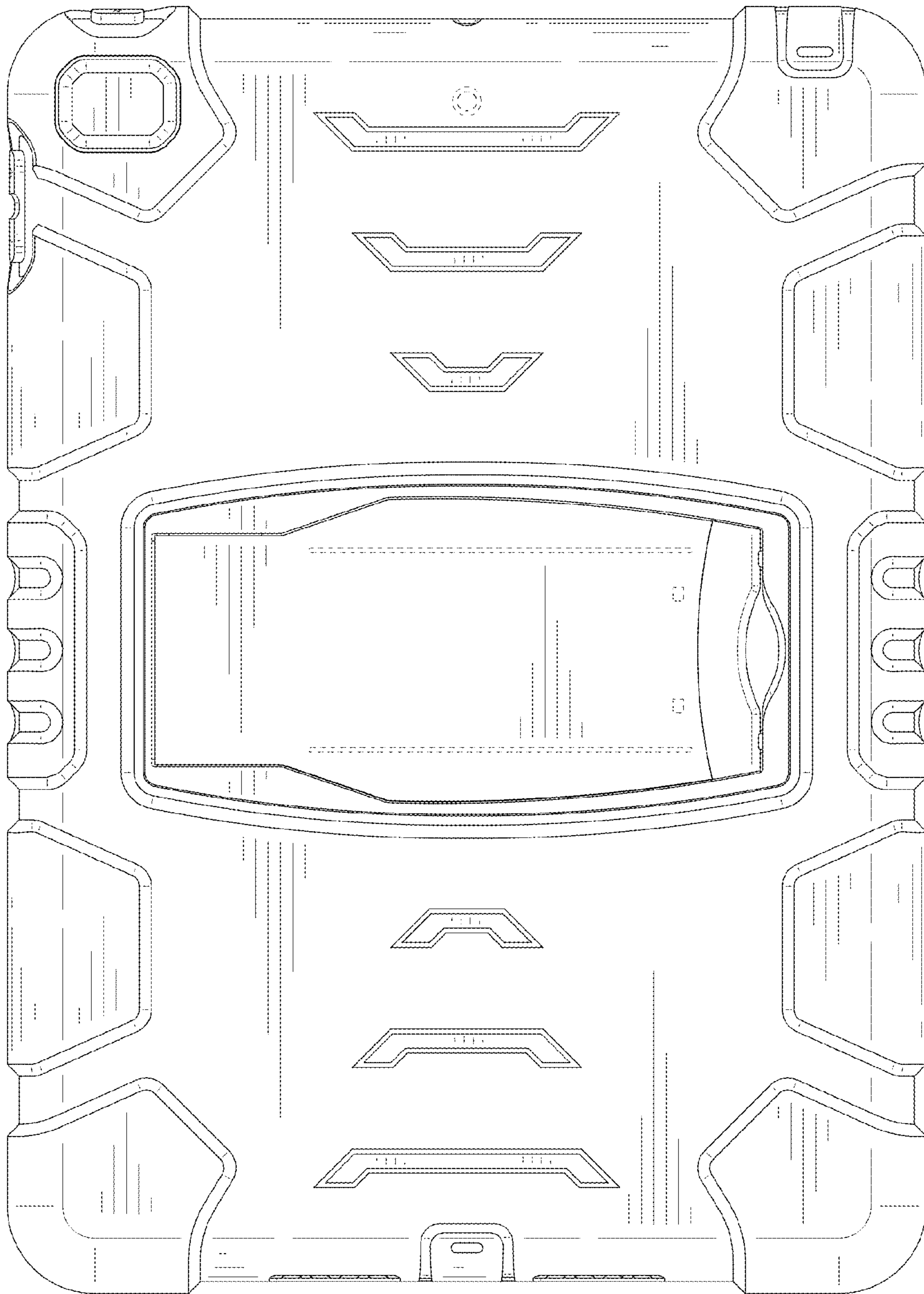


FIG. 4

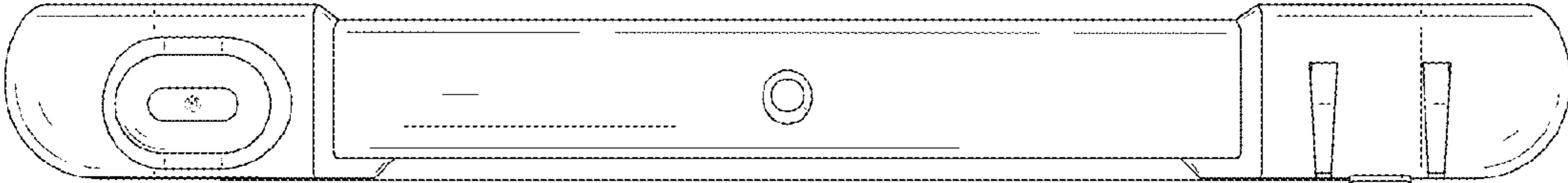


FIG. 5

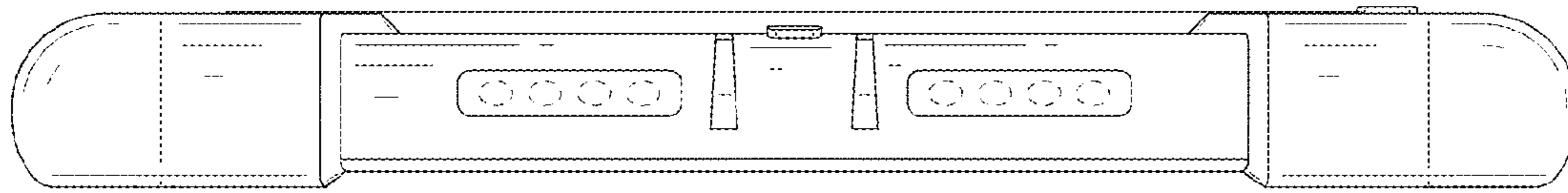


FIG. 6

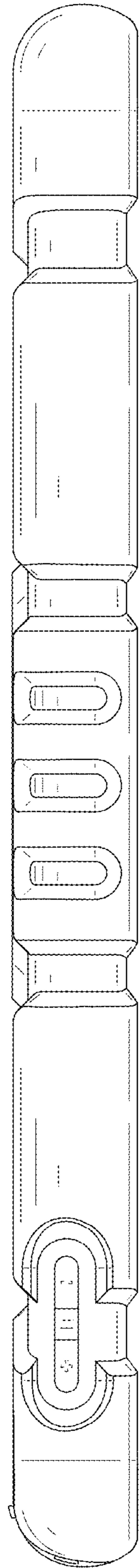


FIG. 7



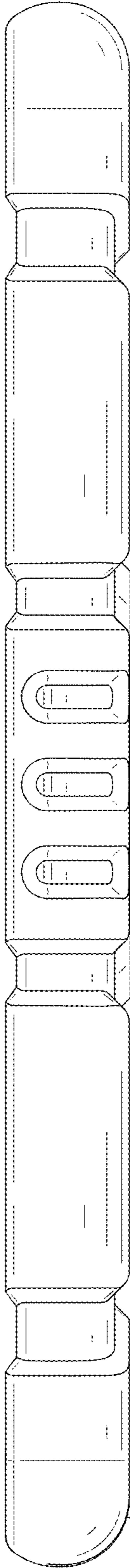


FIG. 8

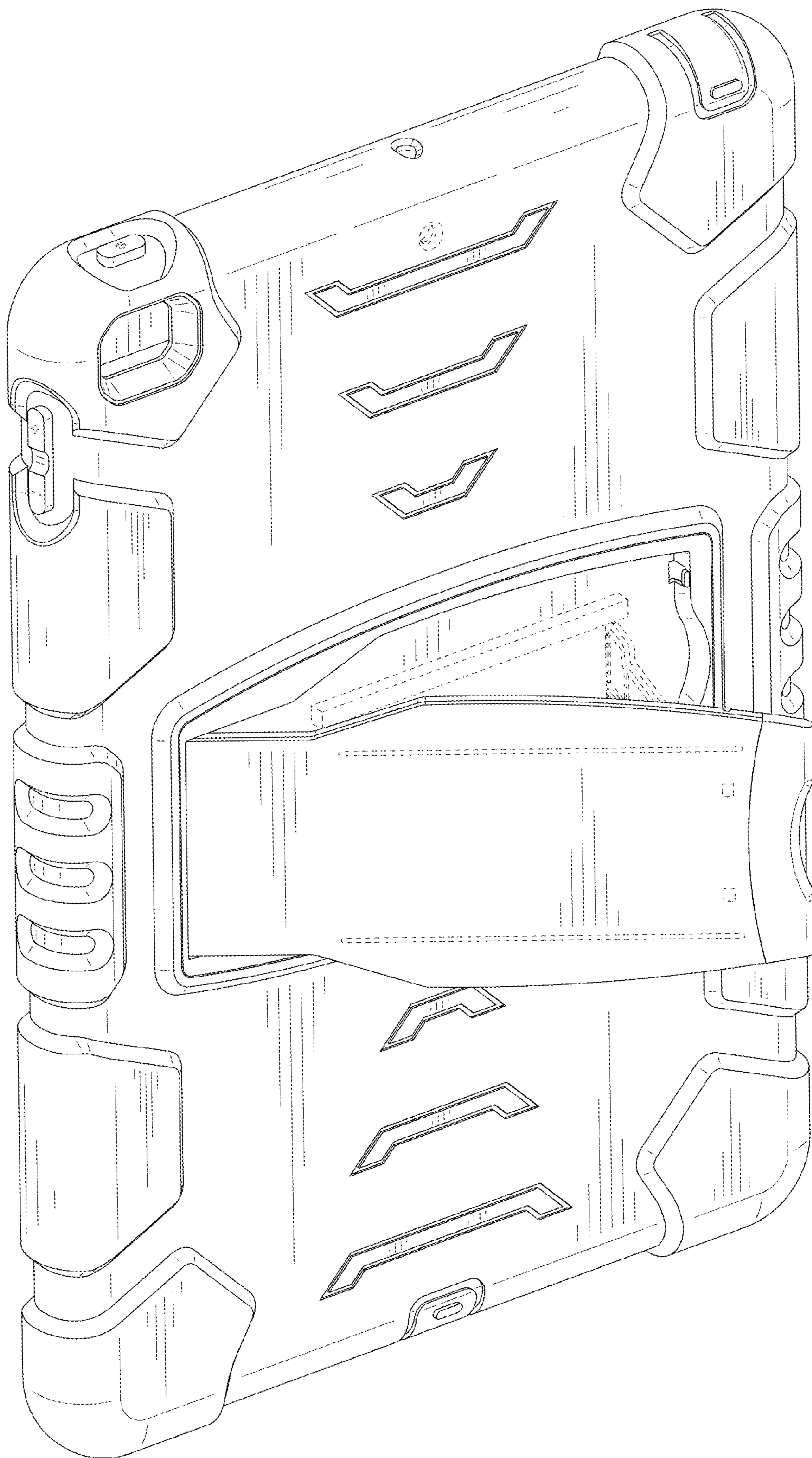


FIG. 9

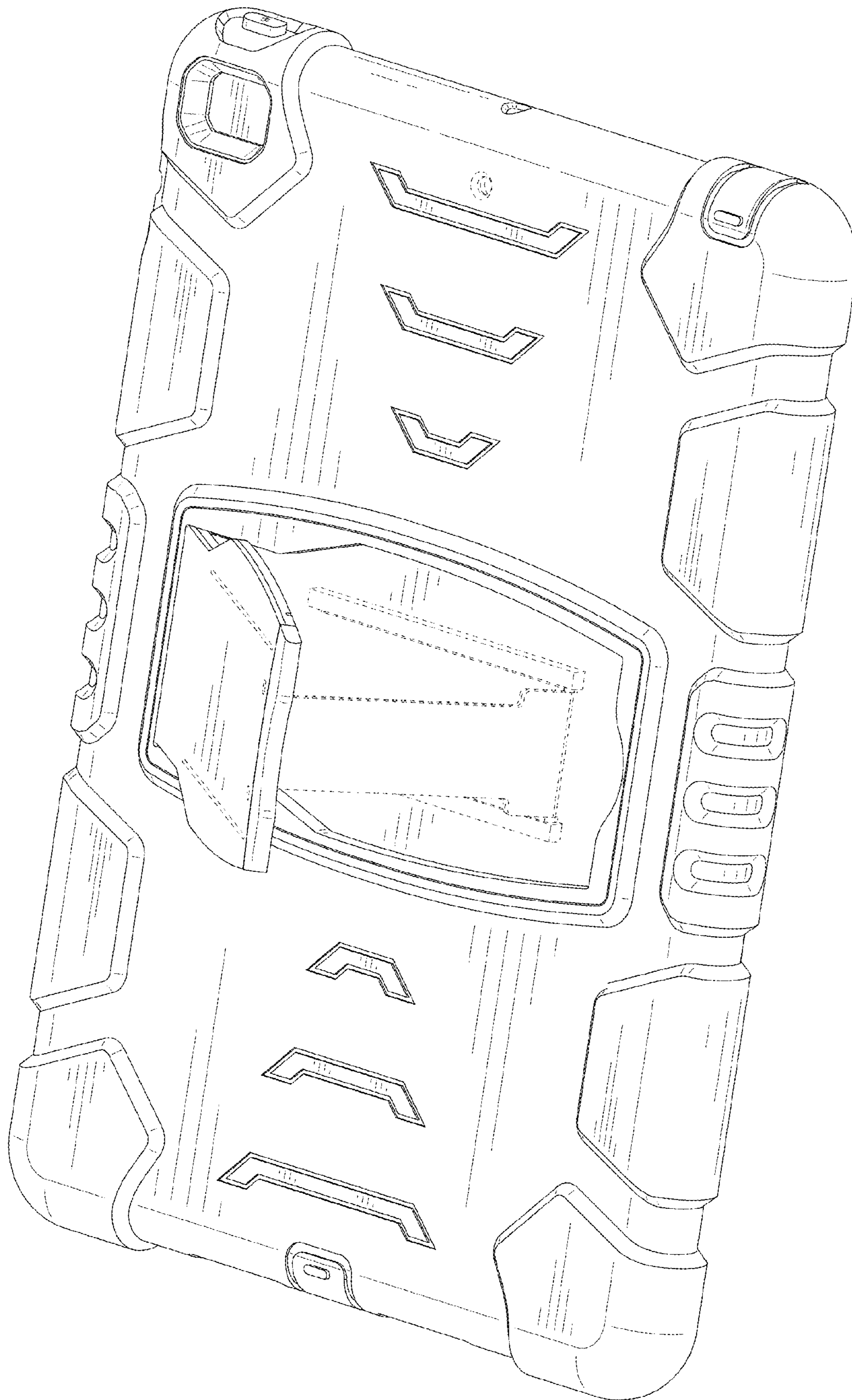


FIG. 10