



US00D947196S

(12) **United States Design Patent**
Zhang

(10) **Patent No.:** **US D947,196 S**
(45) **Date of Patent:** **** Mar. 29, 2022**

(54) **MULTI-FUNCTION HUB**

(71) Applicant: **C-SMARTLINK INFORMATION TECHNOLOGY CO., LIMITED**,
Shenzhen (CN)

(72) Inventor: **Wenfeng Zhang**, Shenzhen (CN)

(73) Assignee: **C-SMARTLINK INFORMATION TECHNOLOGY CO., LIMITED**,
Shenzhen (CN)

(**) Term: **15 Years**

(21) Appl. No.: **29/739,692**

(22) Filed: **Jun. 29, 2020**

(51) **LOC (13) Cl.** **14-02**

(52) **U.S. Cl.**
USPC **D14/434**

(58) **Field of Classification Search**
USPC D14/434, 440, 447, 432, 433, 451, 452,
D14/454, 455, 356, 358, 357, 315, 320,
D14/322, 326, 392, 251-253, 217, 299,
D14/496, 168, 172, 125, 240; D13/103,
D13/107, 108, 118, 119, 184, 110
CPC G06F 1/16; G06F 1/1616; G06F 1/1626;
G06F 1/1632; G06F 1/1684; G06F
1/1688; G06F 1/266; G06F 13/00; G06F
13/12; G06F 13/14; G06F 13/20; G06F
13/382; G06F 13/4022; F16M 11/10;
F16M 11/20; H02J 57/025; H02J 7/0042;
H02J 7/00; H02J 7/0027; H02J 7/0044;
H02J 7/0045; H02J 7/355; H02J 7/025;
H04R 1/025; H04R 5/04; H01R 31/065;
H01M 10/44

See application file for complete search history.

(56) **References Cited**

U.S. PATENT DOCUMENTS

D271,202 S * 11/1983 Endt D14/368
D357,684 S * 4/1995 Moreland D14/240
D430,882 S * 9/2000 Tsai D14/434

D464,972 S * 10/2002 Carrasco, Jr. D14/433
D491,563 S * 6/2004 Sato D14/242
D565,568 S * 4/2008 Trifilio D14/356
D565,571 S * 4/2008 Trifilio D14/434
D568,881 S * 5/2008 Hsiau D14/356
D602,019 S * 10/2009 Wang D14/356
D609,704 S * 2/2010 Sin D14/363
D711,821 S * 8/2014 Wang D13/108
D719,862 S * 12/2014 Fiedler D10/106.95
D721,738 S * 1/2015 Hochman D14/496
D763,262 S * 8/2016 Hallar D14/434

(Continued)

FOREIGN PATENT DOCUMENTS

CN 110994273 A * 4/2020 H05K 5/0021

OTHER PUBLICATIONS

UtechSmart USB C Docking Station. (Online) 15 pgs. Available
Mar. 27, 2019. [Retrieved Apr. 26, 2021] <https://www.amazon.com/UtechSmart-Ethernet-Delivery-Compatible-ChromeBook/dp/B07Q56MW2M>.*

Primary Examiner — Marie D. Fast Horse

(57) **CLAIM**

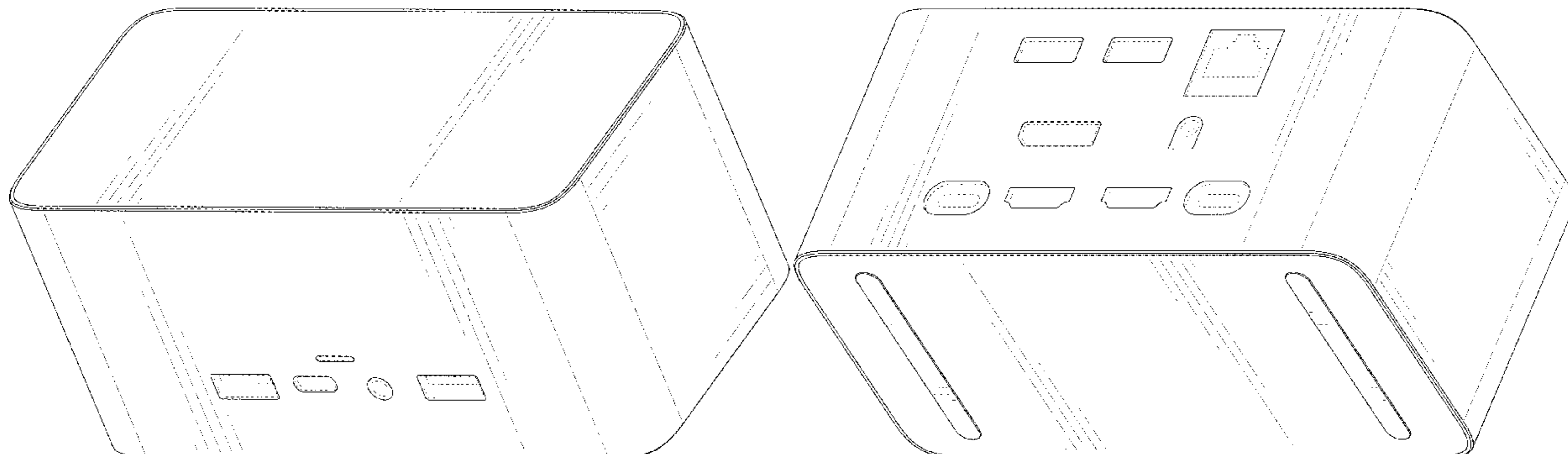
The ornamental design for a multi-function hub, as shown
and described.

DESCRIPTION

FIG. 1 is a perspective view of a multi-function hub showing
my new design;
FIG. 2 is another perspective view thereof;
FIG. 3 is a front elevational view thereof;
FIG. 4 is a rear elevational view thereof;
FIG. 5 is a left side elevational view thereof;
FIG. 6 is a right side elevational view thereof;
FIG. 7 is a top plan view thereof; and,
FIG. 8 is a bottom plan view thereof.

The broken lines in the drawings are for the purpose of
illustrating portions of the multi-function hub that form no
part of the claimed design.

1 Claim, 8 Drawing Sheets



(56)

References Cited

U.S. PATENT DOCUMENTS

D768,129 S * 10/2016 Chen D14/356
D780,137 S * 2/2017 Tallqvist D14/125
D782,476 S * 3/2017 Yamazaki D14/358
D794,028 S * 8/2017 Lin D14/433
D859,415 S * 9/2019 Liao D14/434
D864,206 S * 10/2019 Wang D14/433
D864,890 S * 10/2019 Henning D14/172
D874,403 S * 2/2020 Canizares D13/137.2
D879,739 S * 3/2020 McWilliam D14/188
D900,110 S * 10/2020 Wu D14/433
D903,665 S * 12/2020 Yoon D14/349
D911,969 S * 3/2021 Canizares D13/137.2
D914,023 S * 3/2021 Yang D14/434
D920,980 S * 6/2021 Zhang D14/433
D926,188 S * 7/2021 Zhang D14/433
11,063,398 B2 * 7/2021 Zhang G06F 1/1632
D928,787 S * 8/2021 Zhang D14/433
D929,405 S * 8/2021 Zhang D14/433
D932,456 S * 10/2021 Paterson D14/172
D937,836 S * 12/2021 Chin D14/433
D937,839 S * 12/2021 Wu D14/434
D937,840 S * 12/2021 Wu D14/434

* cited by examiner

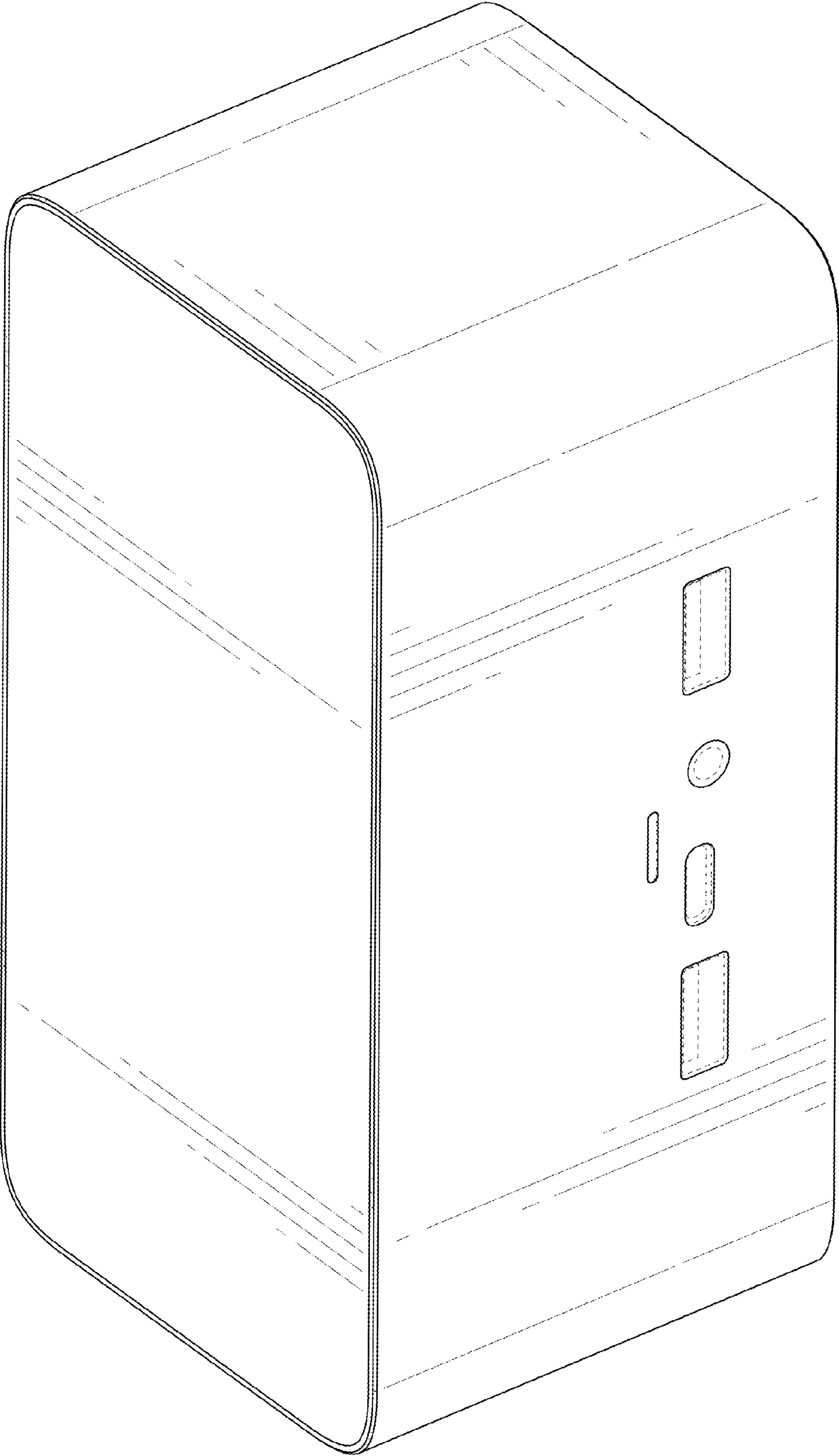


FIG. 1

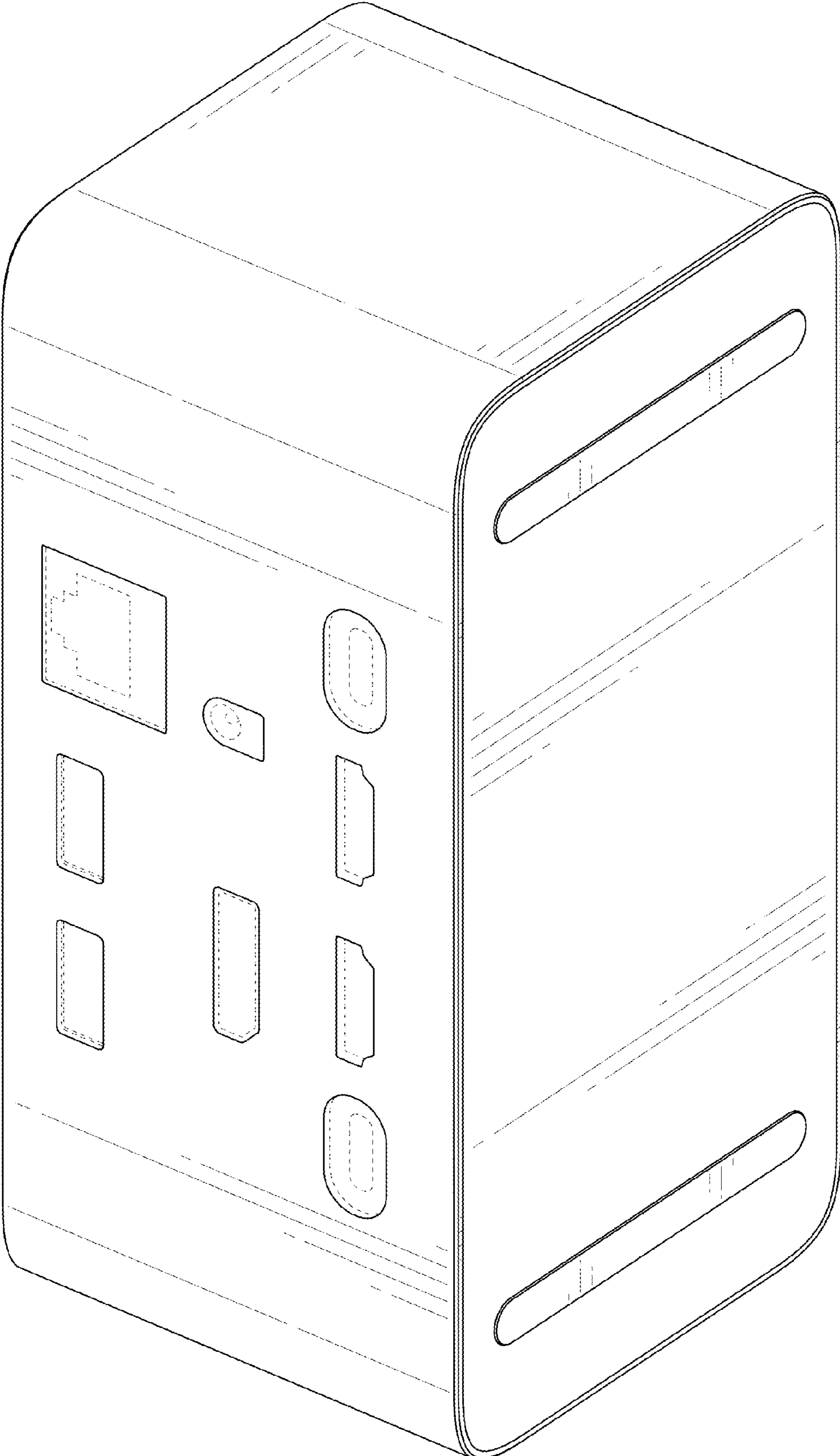


FIG. 2

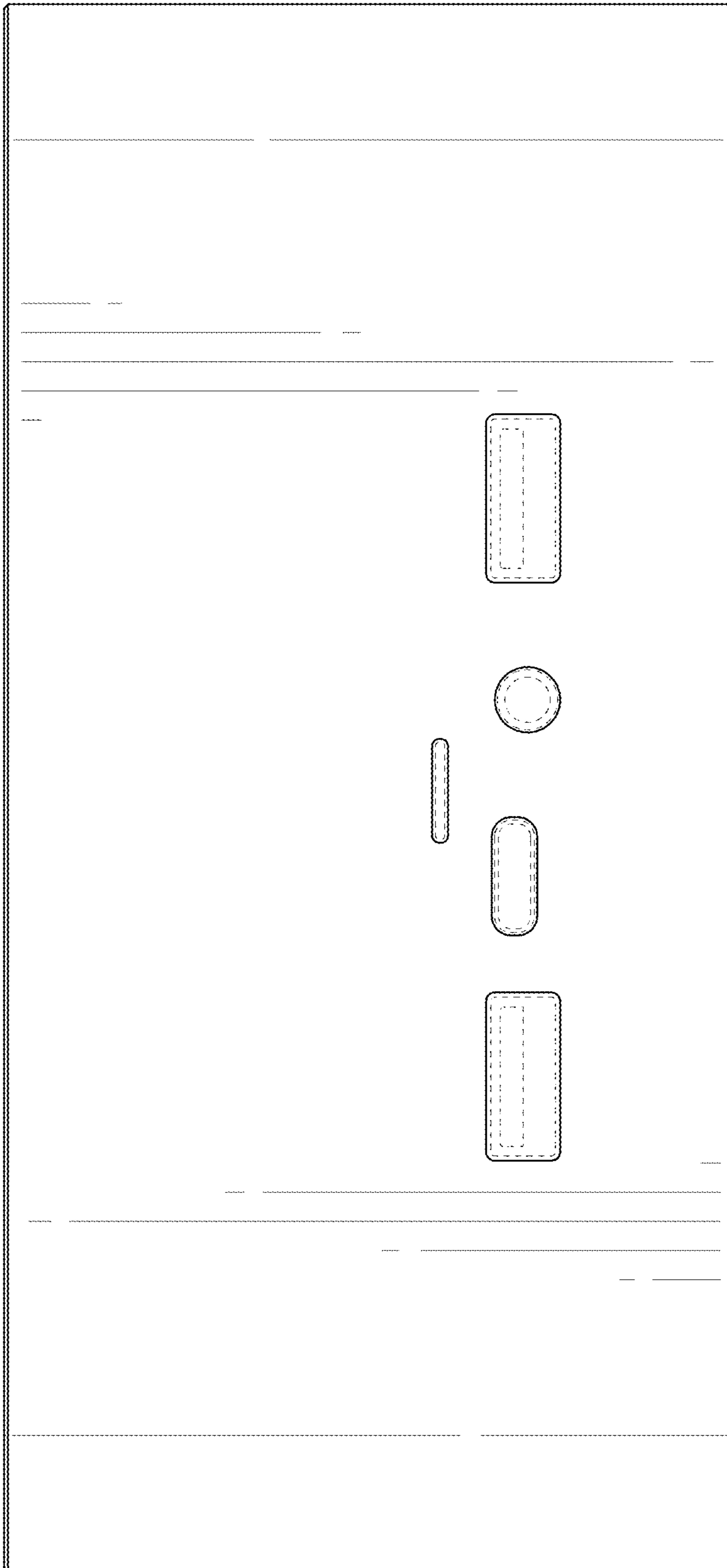


FIG. 3

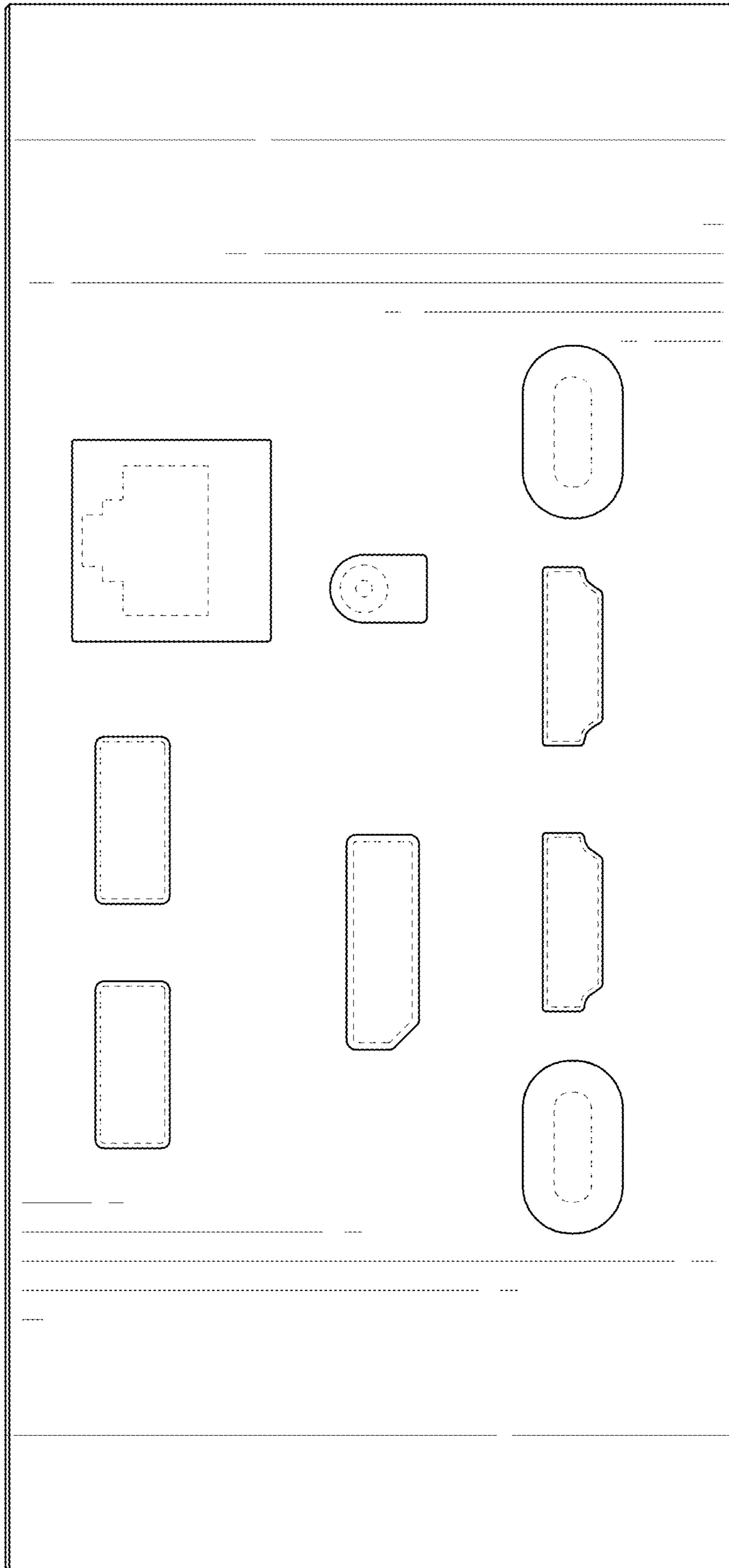


FIG. 4

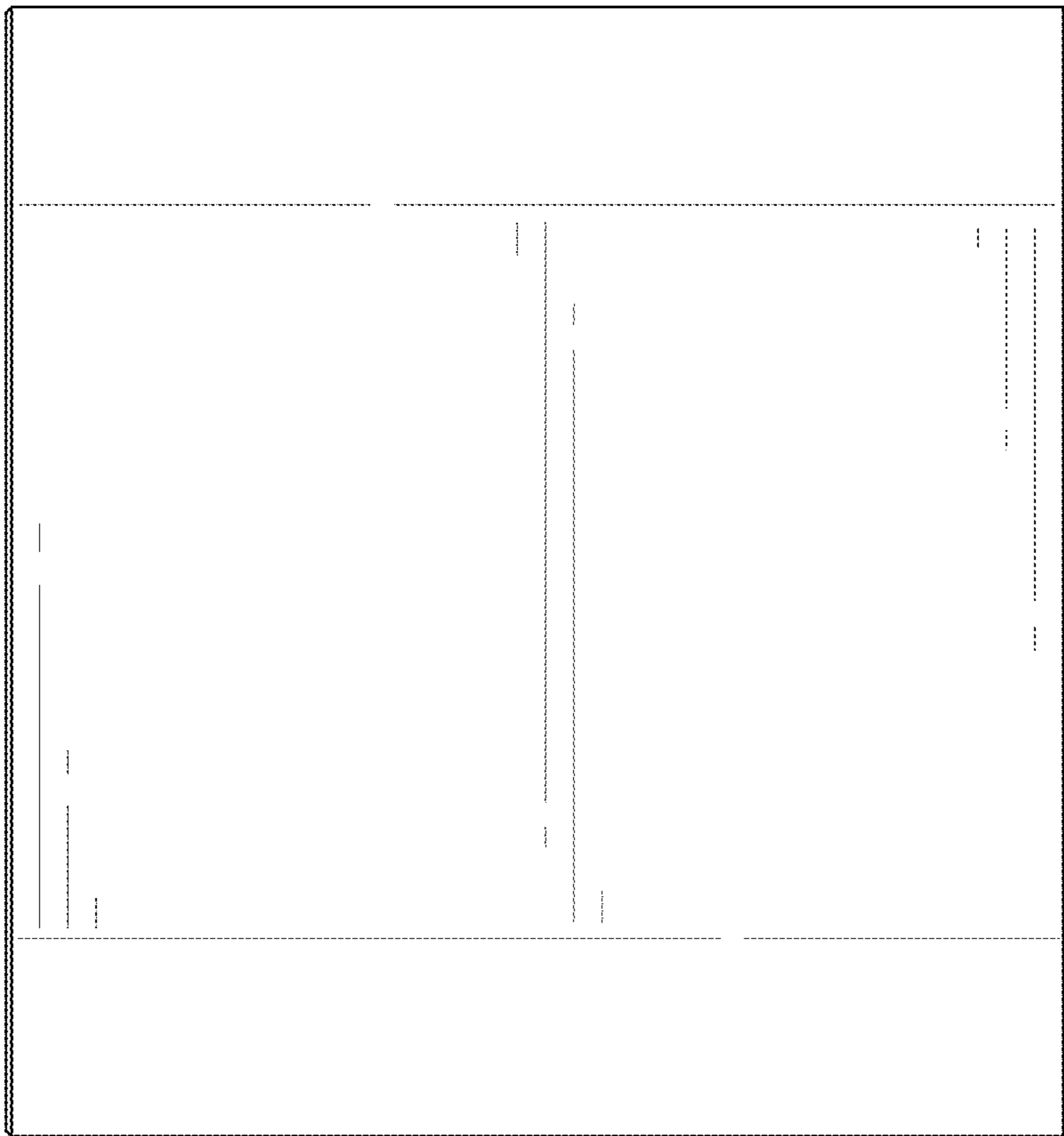


FIG. 5

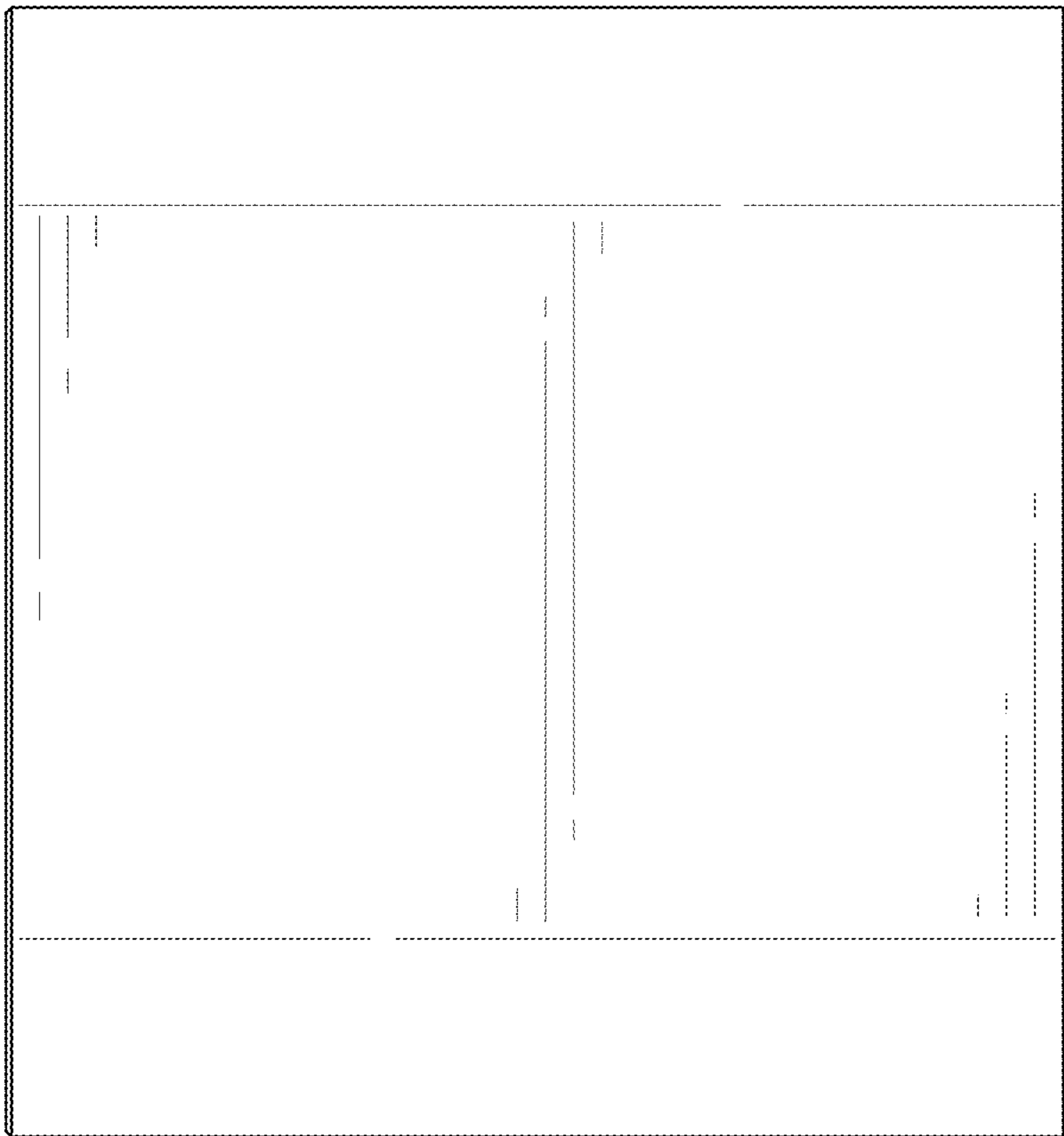


FIG. 6

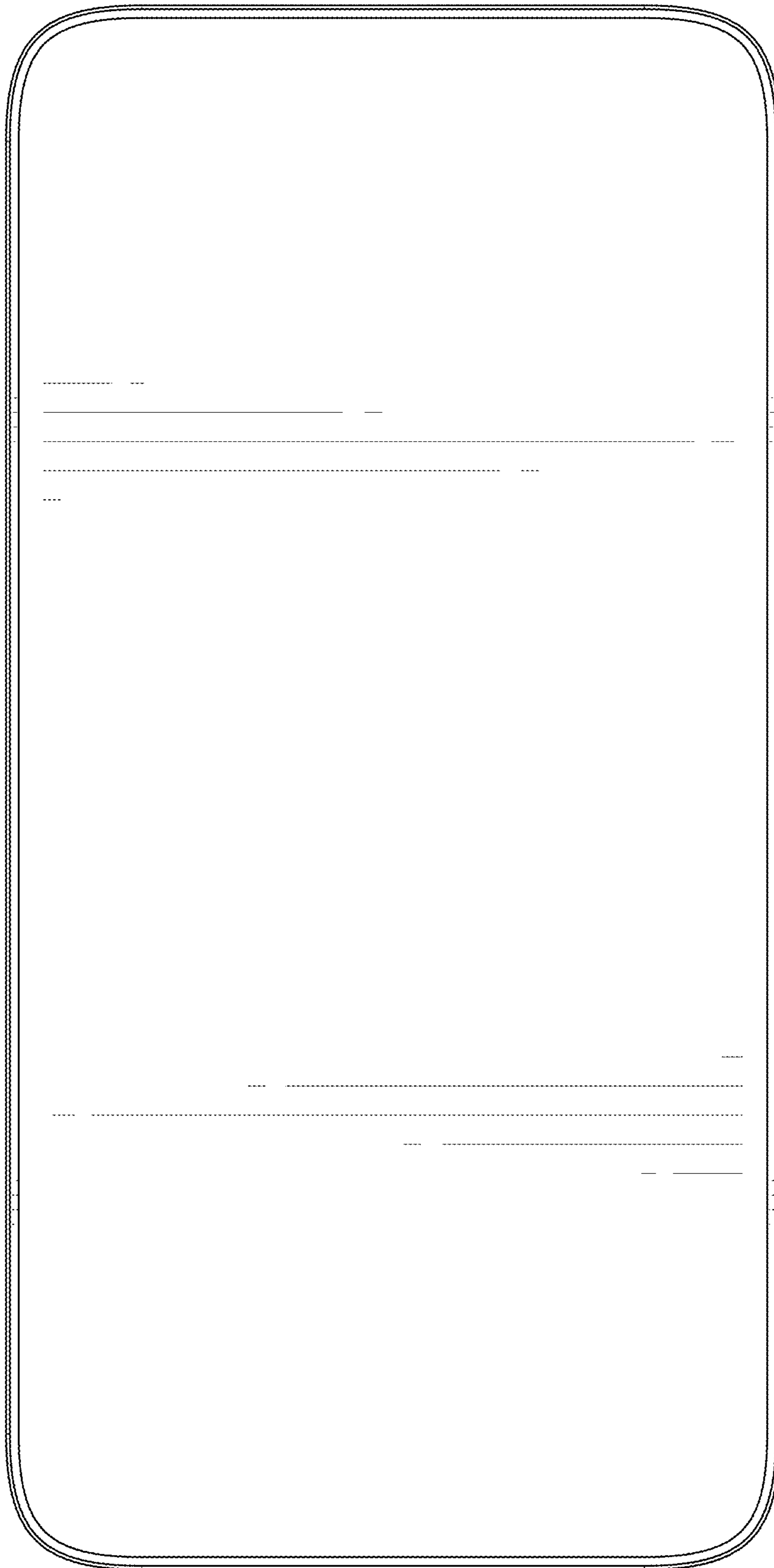


FIG. 7

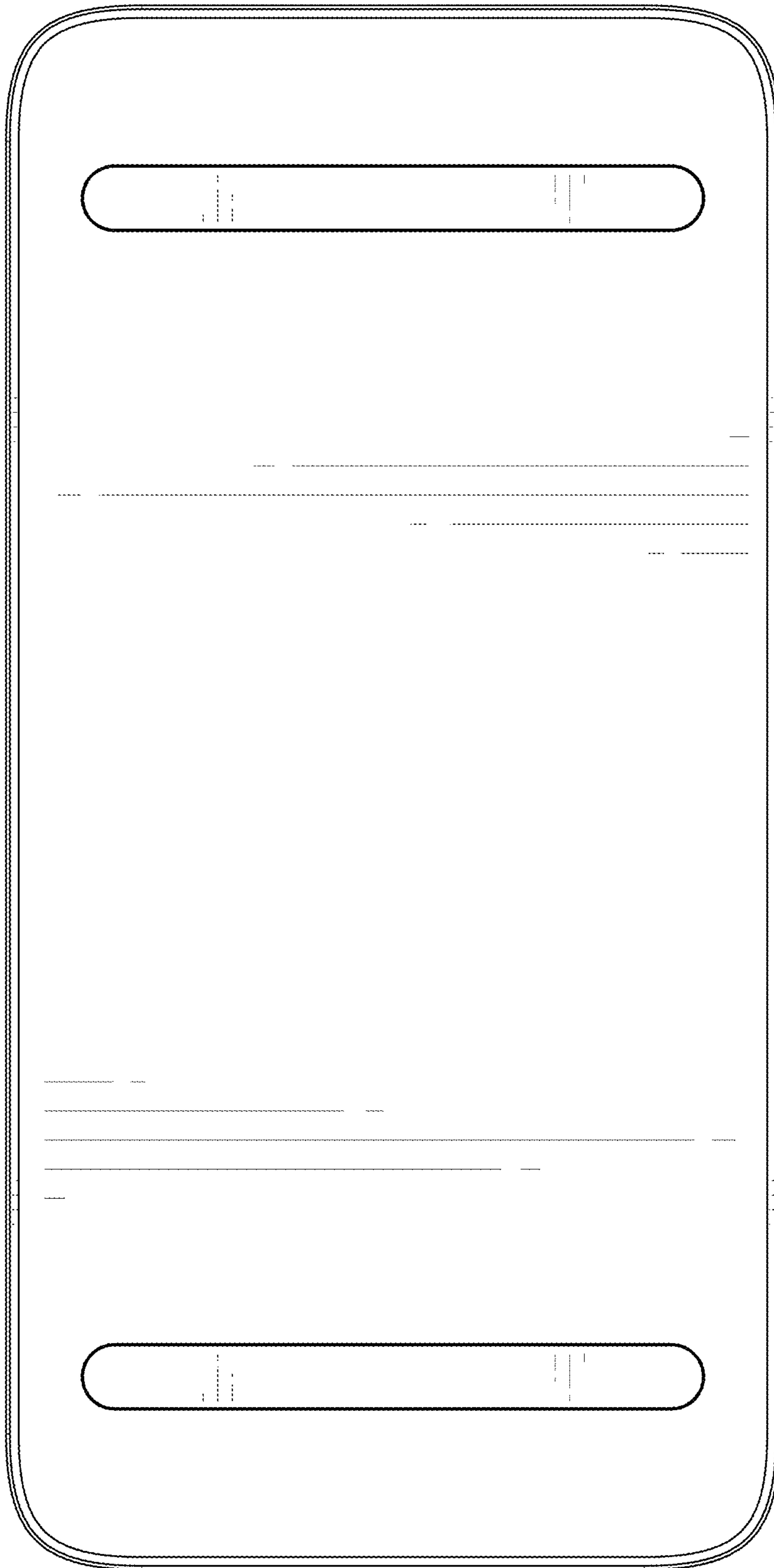


FIG. 8