



US00D947195S

(12) **United States Design Patent**
Feng

(10) **Patent No.:** **US D947,195 S**
(45) **Date of Patent:** **** Mar. 29, 2022**

(54) **USB C ADAPTER**

(71) Applicant: **Dejing Feng, Songzi (CN)**

(72) Inventor: **Dejing Feng, Songzi (CN)**

(**) Term: **15 Years**

(21) Appl. No.: **29/773,679**

(22) Filed: **Mar. 11, 2021**

(51) **LOC (13) Cl.** **14-02**

(52) **U.S. Cl.**
USPC **D14/433**

(58) **Field of Classification Search**
USPC D14/240, 242, 356, 358, 363, 365, 367,
D14/370, 432-437, 439, 498, 125, 366,
D14/168, 496; D13/147, 164, 123, 133,
D13/146, 110, 199, 103, 162, 159, 160,
D13/184; 361/683, 684, 686, 724, 735,
361/737, 752; D18/40
CPC H01R 25/006; H01R 27/02; H01R 31/005;
G06F 13/4022; G06F 13/382; G06F
1/1632; G06F 1/1684; G06F 1/20; G06F
1/1607
See application file for complete search history.

(56) **References Cited**

U.S. PATENT DOCUMENTS

D864,208 S	10/2019	Duan	
D883,983 S *	5/2020	Zhang	D14/433
D885,393 S *	5/2020	Duan	D14/433
D885,394 S *	5/2020	Duan	D14/433
D886,105 S *	6/2020	Duan	D14/433

D886,825 S	6/2020	Zhang et al.	
D889,470 S	7/2020	Zhang et al.	
D890,759 S *	7/2020	Fan	D14/433
D899,363 S *	10/2020	Wu	D13/110
D899,427 S *	10/2020	Liao	D14/433
D900,111 S *	10/2020	Wu	D14/433
D918,211 S *	5/2021	Liao	D14/433
D919,627 S *	5/2021	Turksu	D14/433
D923,009 S *	6/2021	Xiong	D14/433
D925,540 S *	7/2021	Feng	D14/433
D929,997 S *	9/2021	Liu	D14/433
D938,954 S *	12/2021	Zhang	D14/433
D939,506 S *	12/2021	Liao	D14/433

* cited by examiner

Primary Examiner — Austin Murphy

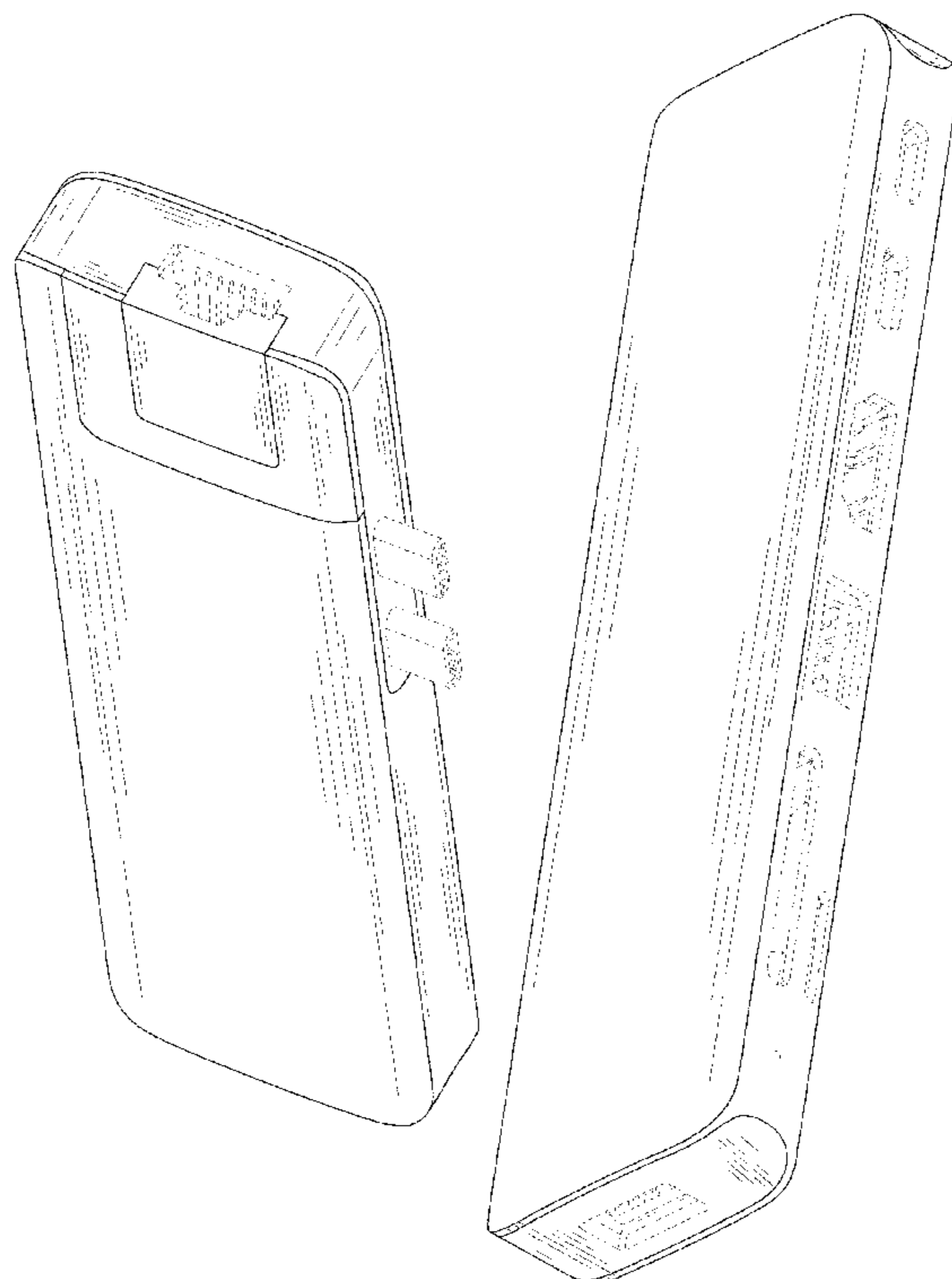
(57) **CLAIM**

The ornamental design for a USB C adapter, as shown and described.

DESCRIPTION

FIG. 1 is a first perspective view of a USB C adapter showing my new design;
FIG. 2 is a second perspective view thereof;
FIG. 3 is a front view thereof;
FIG. 4 is a back view thereof;
FIG. 5 is a left side view thereof;
FIG. 6 is a right side view thereof;
FIG. 7 is a top view thereof; and,
FIG. 8 is a bottom view thereof.
The broken lines shown in the drawings depict portions of the USB C adapter in which the design is embodied that form no part of the claimed design.

1 Claim, 8 Drawing Sheets



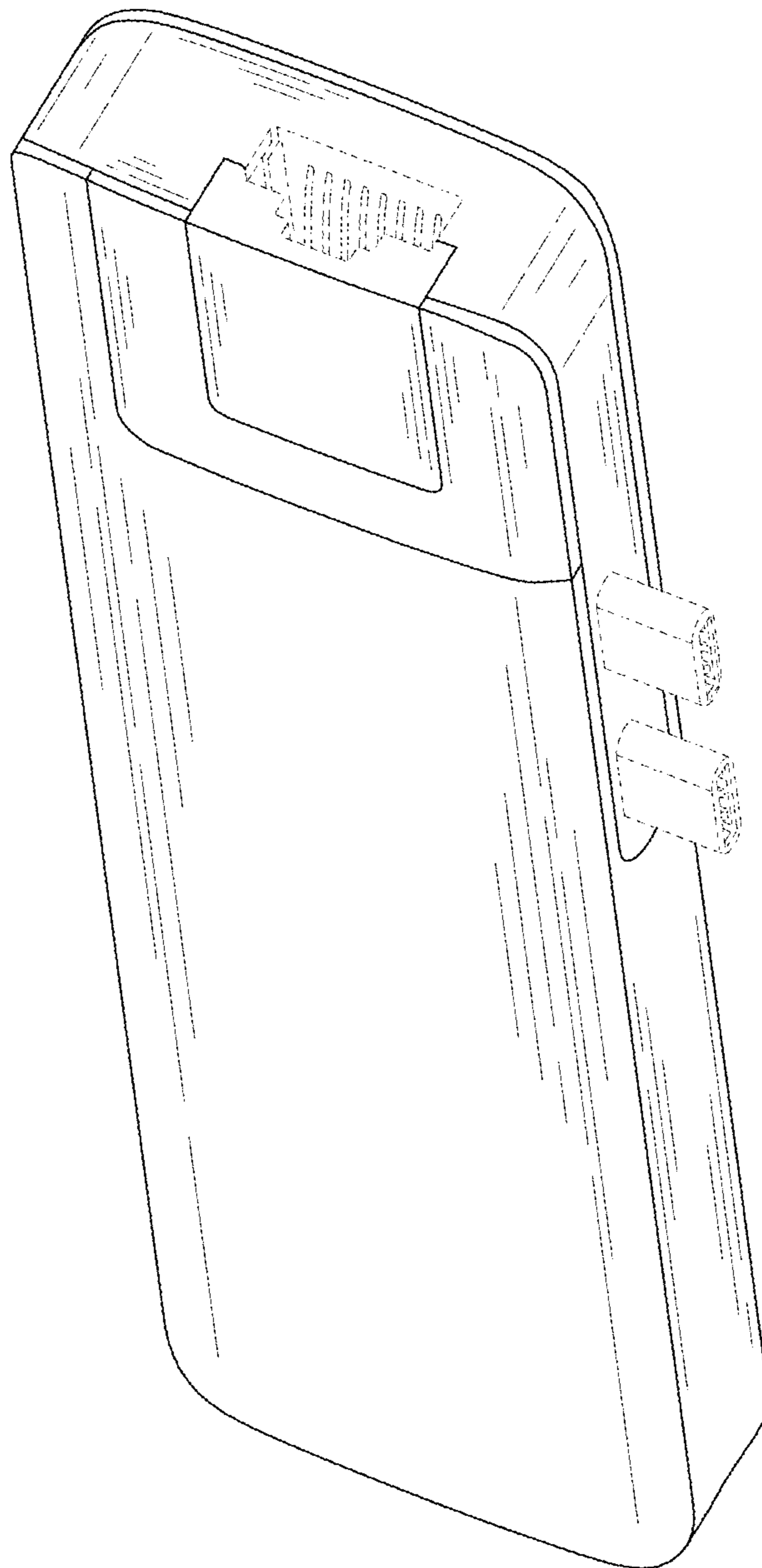


FIG. 1

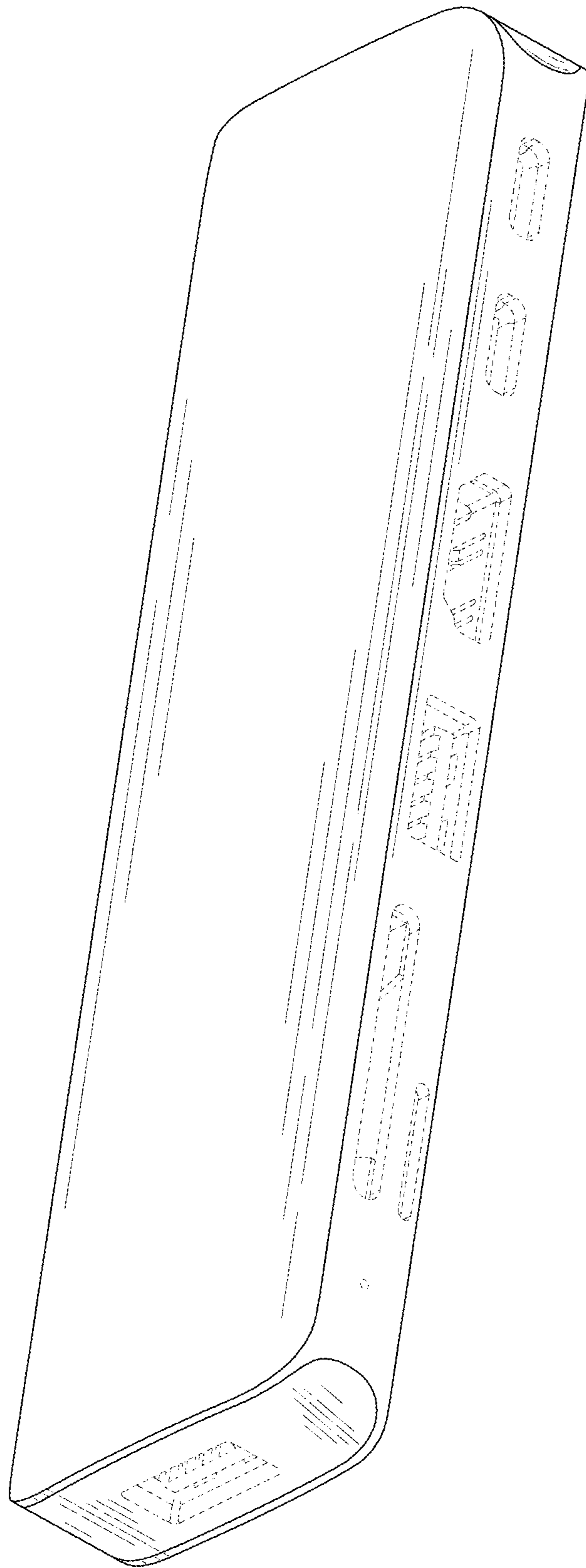


FIG. 2

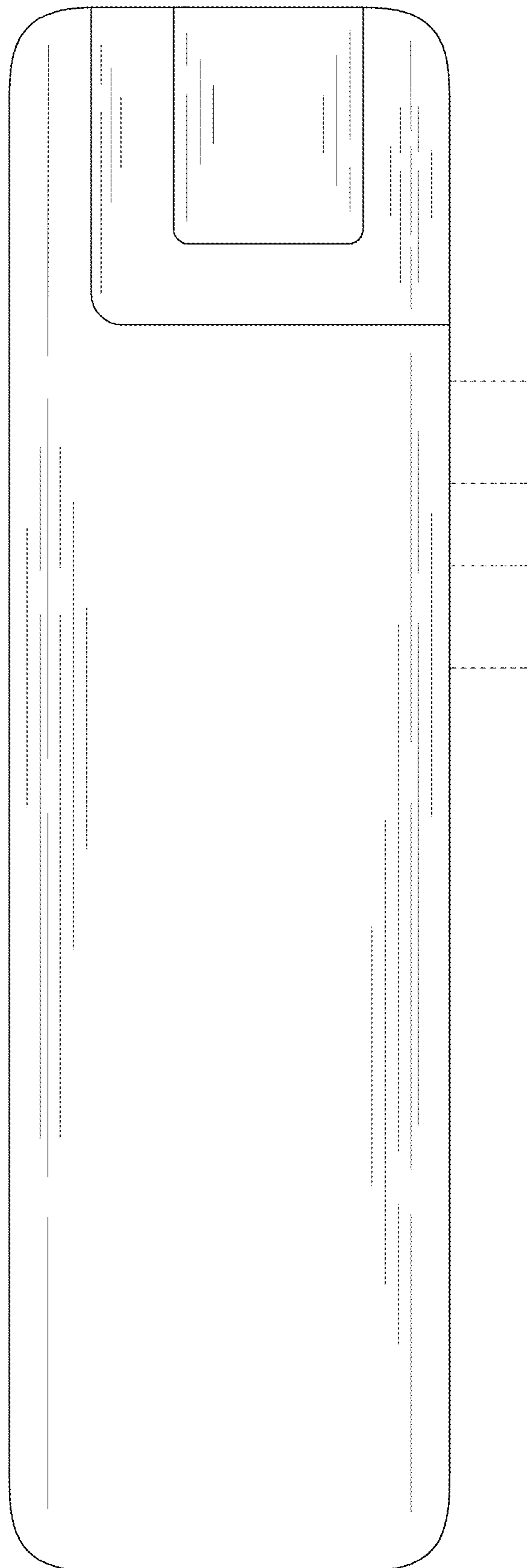


FIG. 3

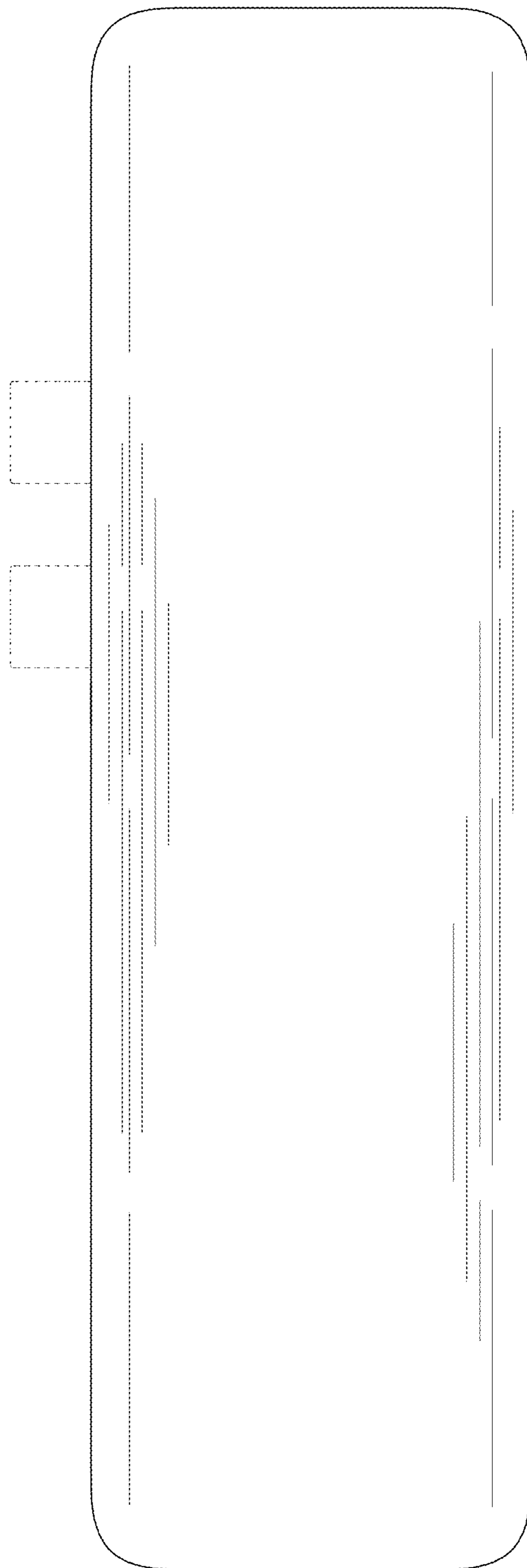


FIG. 4

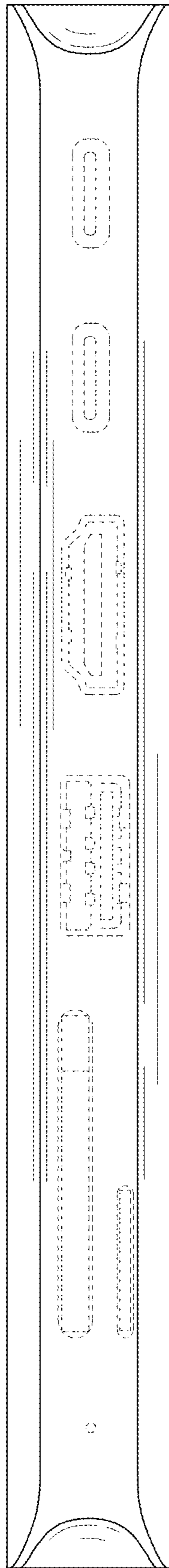


FIG. 5

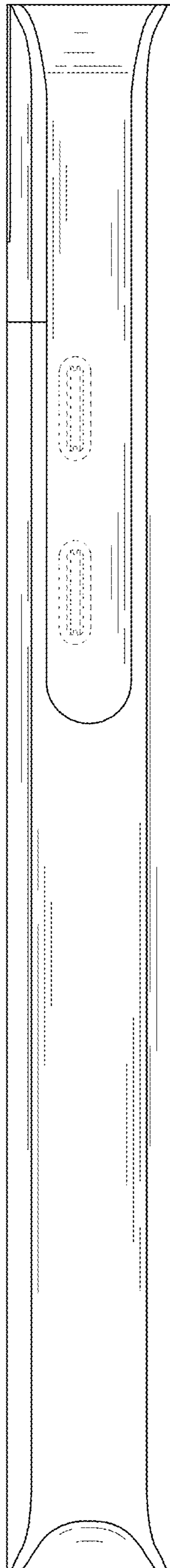


FIG. 6

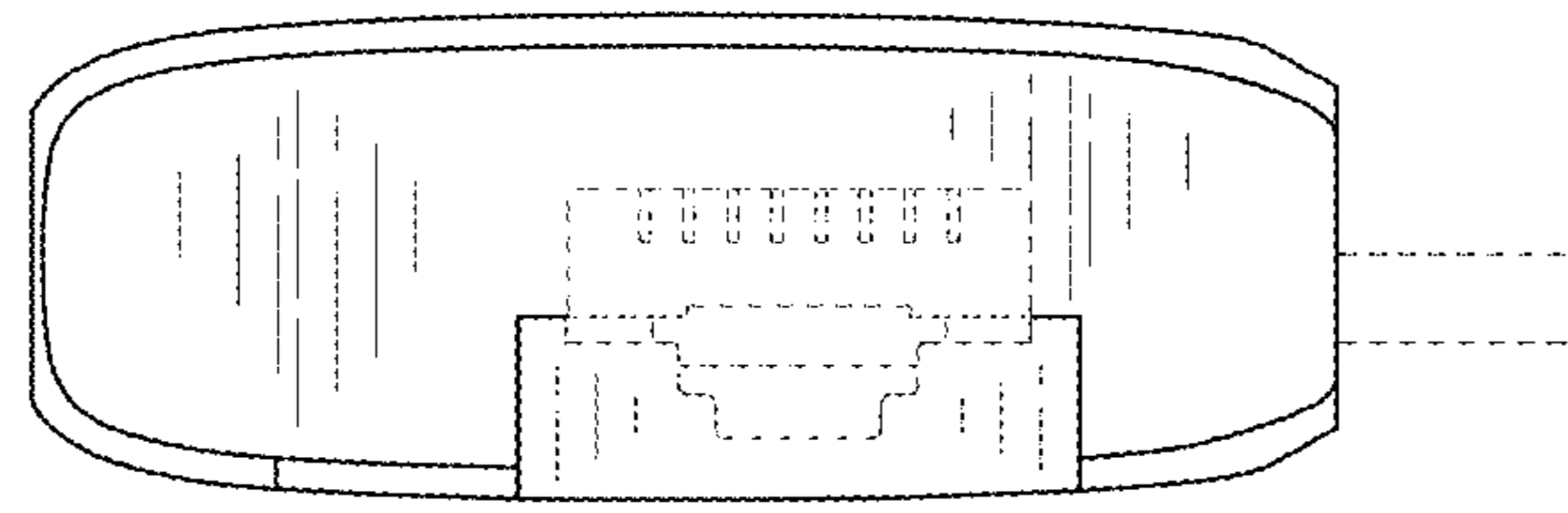


FIG. 7

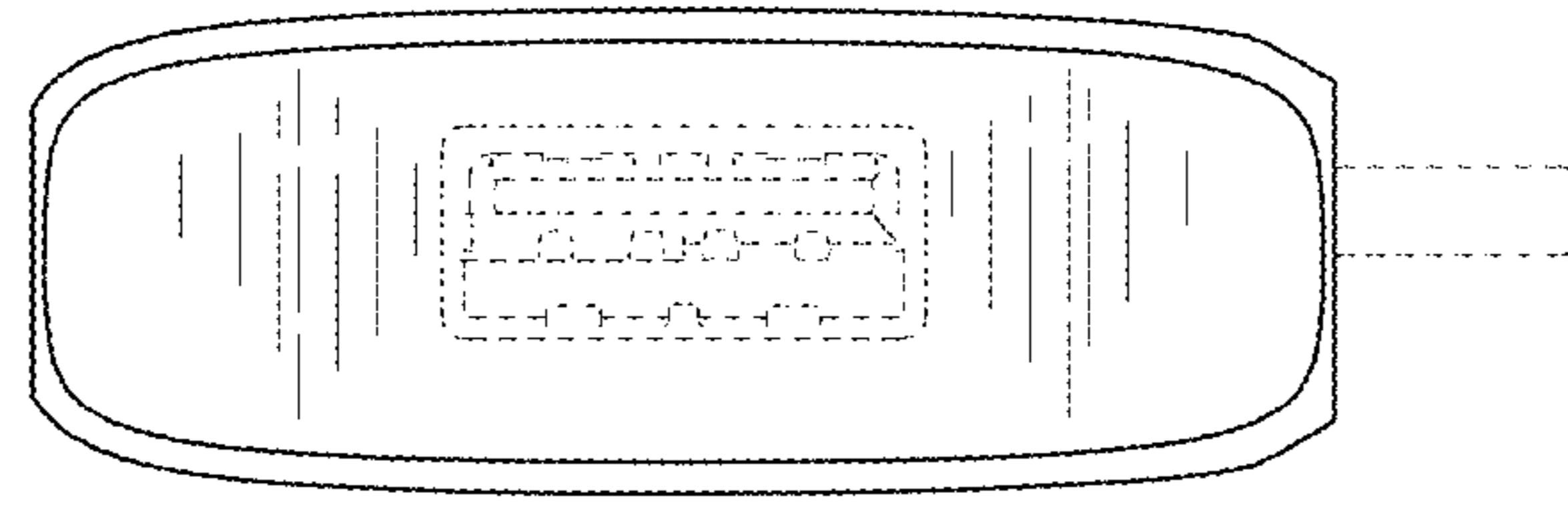


FIG. 8