



US00D947194S

(12) **United States Design Patent**
He

(10) **Patent No.:** **US D947,194 S**

(45) **Date of Patent:** **** Mar. 29, 2022**

(54) **CONTROLLER**

(71) Applicant: **Ganzhou Yuanjia Technology Development Co., Ltd.**, Ganzhou (CN)

(72) Inventor: **Yuechun He**, Ganzhou (CN)

(73) Assignee: **GANZHOU YUANJIA TECHNOLOGY DEVELOPMENT CO., LTD.**, Shangyou (CN)

(**) Term: **15 Years**

(21) Appl. No.: **29/652,325**

(22) Filed: **Jul. 21, 2020**

(51) **LOC (13) Cl.** **14-02**

(52) **U.S. Cl.**
USPC **D14/433**

(58) **Field of Classification Search**
USPC D14/356, 432-434, 453, 454, 511, 203.8,
D14/209.1, 238.1, 240, 125; 439/638,
439/928, 105, 502; 710/303, 304;
361/679.41, 679.55, 679.56; D13/110,
D13/133, 146
CPC H01R 13/71; H01R 13/6271; H01R 24/62;
H01R 13/652
See application file for complete search history.

(56) **References Cited**

U.S. PATENT DOCUMENTS

D546,328 S * 7/2007 Kobayakawa D14/480.4
D597,068 S * 7/2009 Whang D14/203.7

D650,391 S * 12/2011 Liang D14/480.7
D672,351 S * 12/2012 Camacho D14/435.1
D721,374 S * 1/2015 Liu D14/433
D735,178 S * 7/2015 Yoon D14/240
D774,042 S * 12/2016 Cobbett D14/480.4
D816,025 S * 4/2018 Thompson D13/108
D885,374 S * 5/2020 Gao D14/240
D905,693 S * 12/2020 Xie D14/435.1
D917,479 S * 4/2021 Deng D14/388
D933,652 S * 10/2021 Gospodinov D14/358
D933,653 S * 10/2021 Gospodinov D14/358

* cited by examiner

Primary Examiner — Austin Murphy

(74) *Attorney, Agent, or Firm* — Innovation Capital Law Group, LLP; Vic Lin

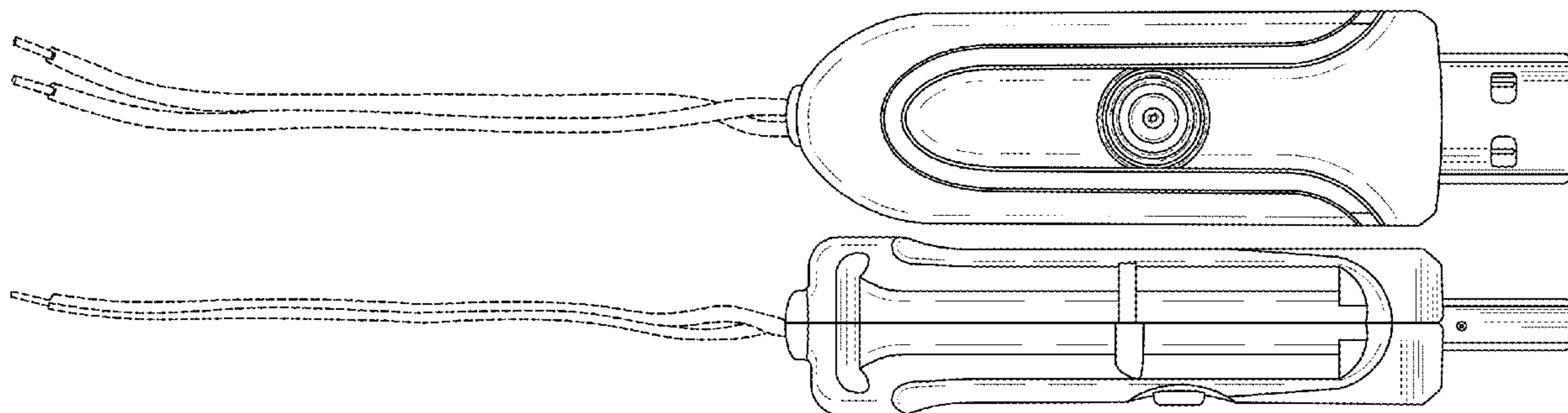
(57) **CLAIM**

The ornamental design for a controller, as shown and described.

DESCRIPTION

FIG. 1 is a left elevation view of a controller, showing my new design;
FIG. 2 is a top plan view thereof;
FIG. 3 is a rear elevation view thereof;
FIG. 4 is a top perspective view thereof;
FIG. 5 is a bottom perspective view thereof;
FIG. 6 is a bottom plan view thereof;
FIG. 7 is a front elevation view thereof; and,
FIG. 8 is a right elevation view thereof.
The broken lines in the Figures show portions of the controller which form no part of the claimed design.

1 Claim, 8 Drawing Sheets



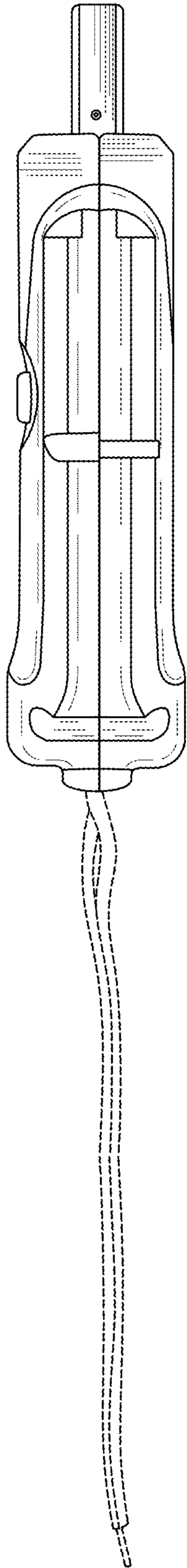


FIG. 1

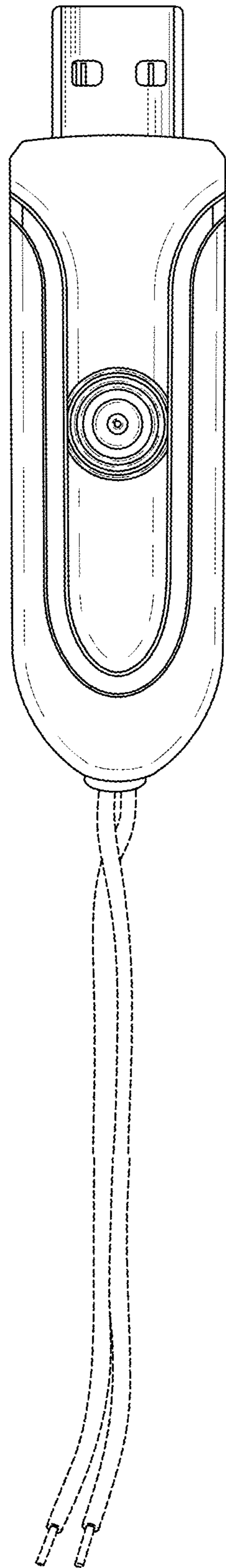


FIG. 2

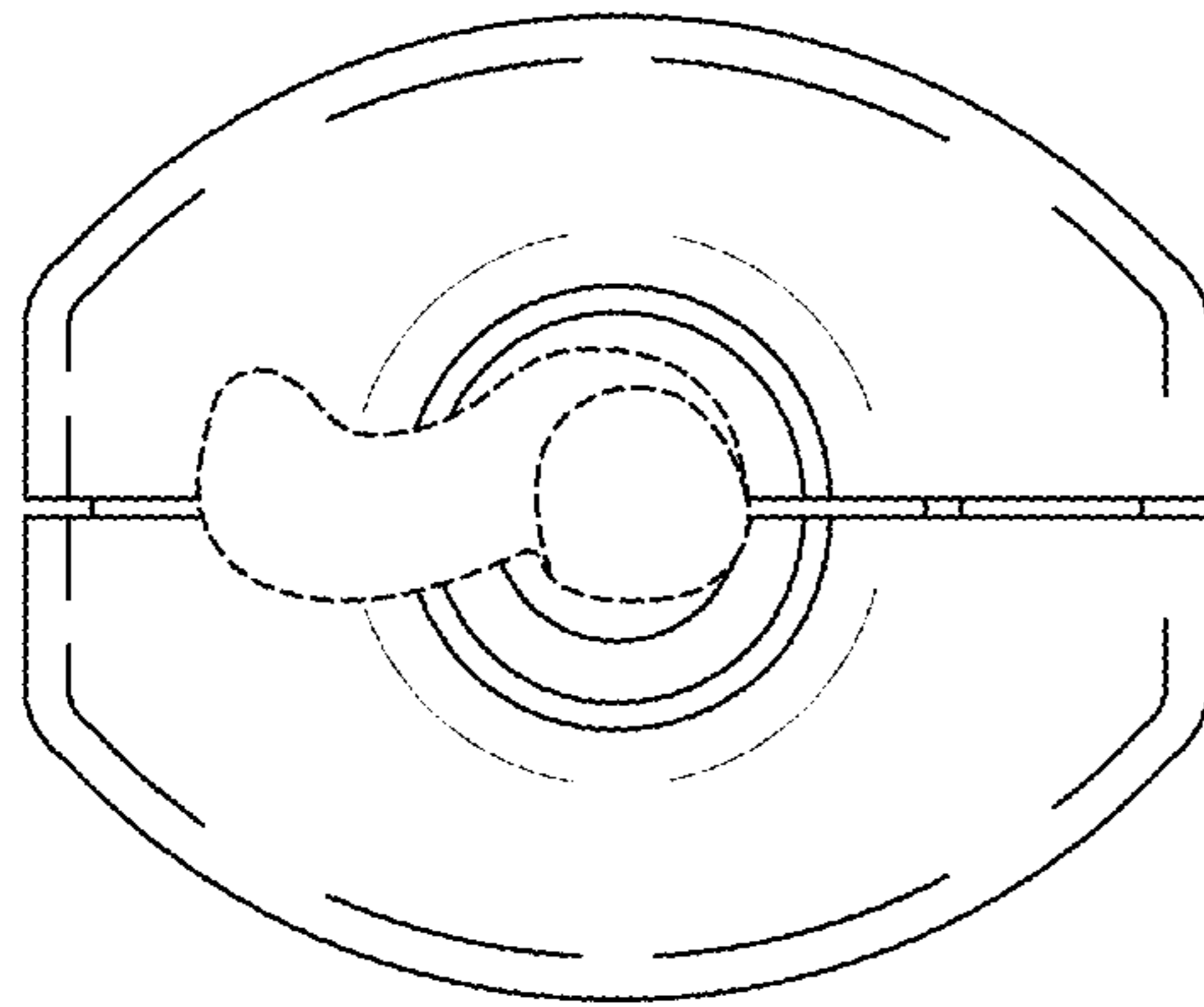


FIG. 3

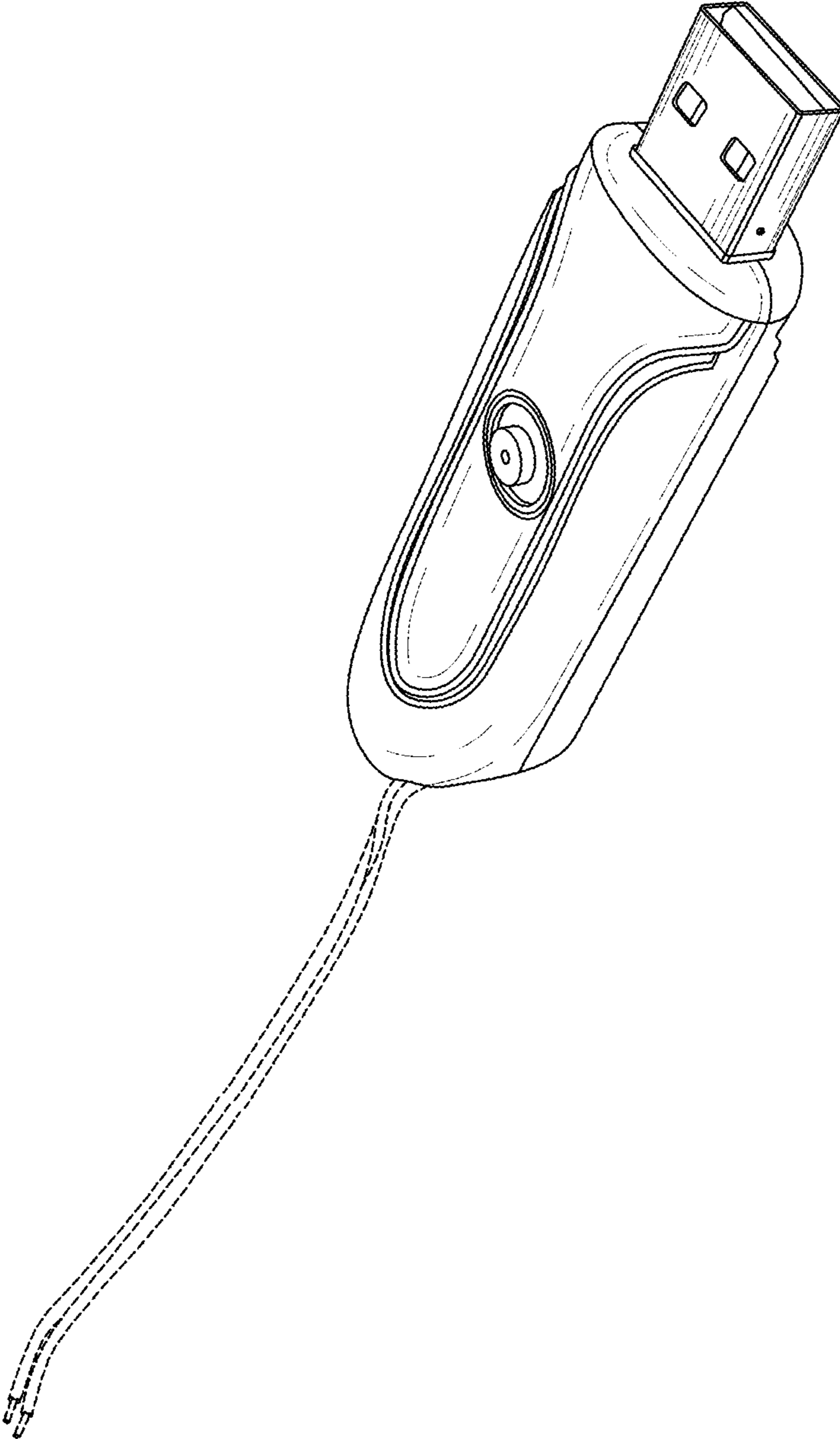


FIG. 4

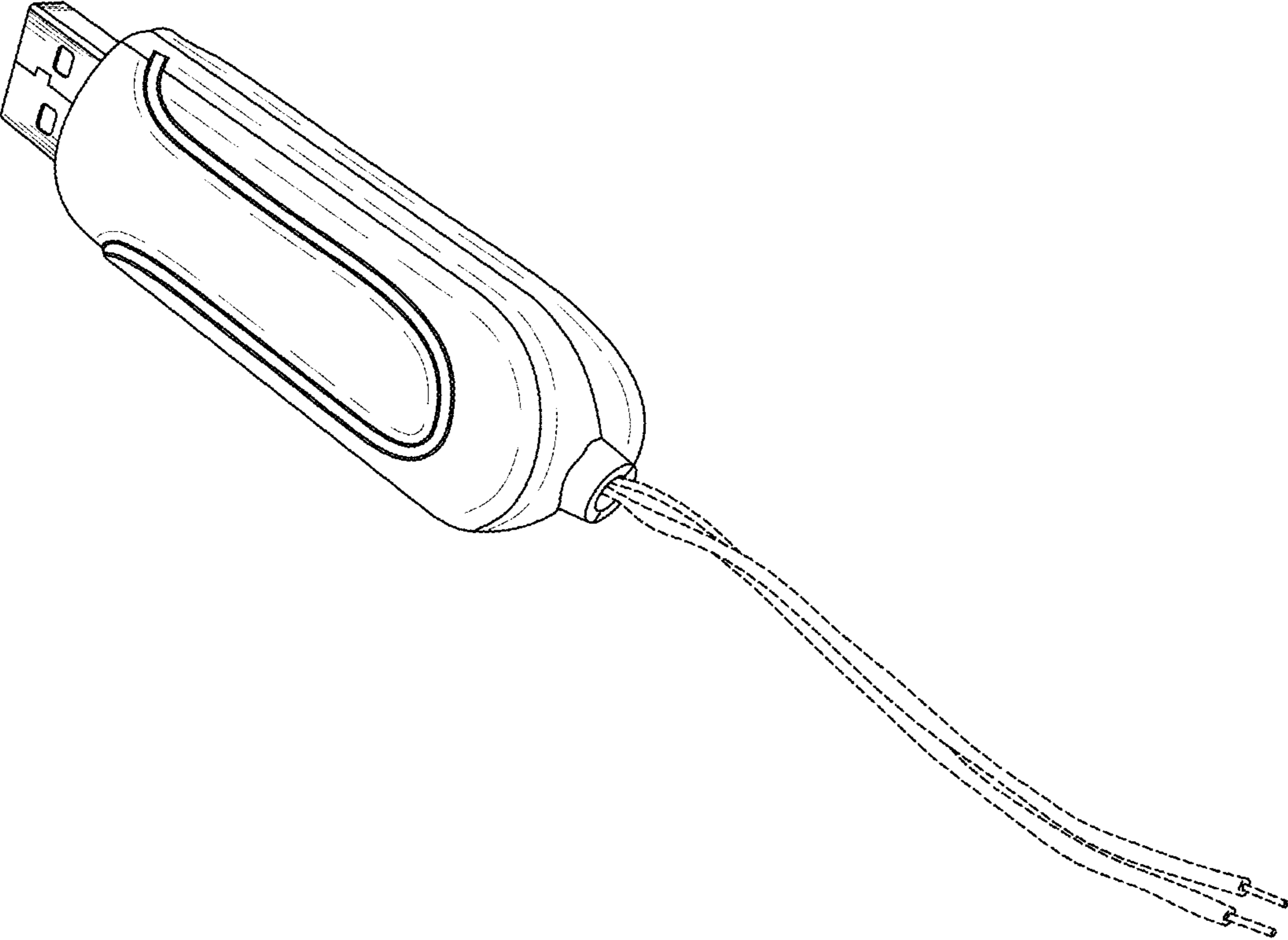


FIG. 5

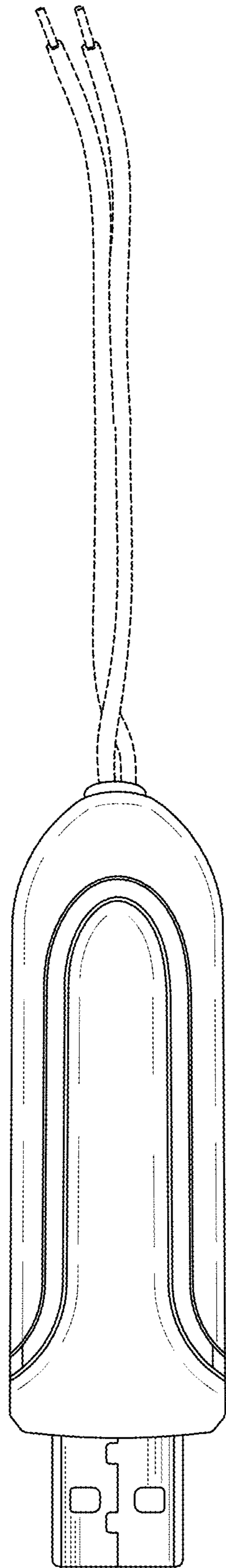


FIG. 6

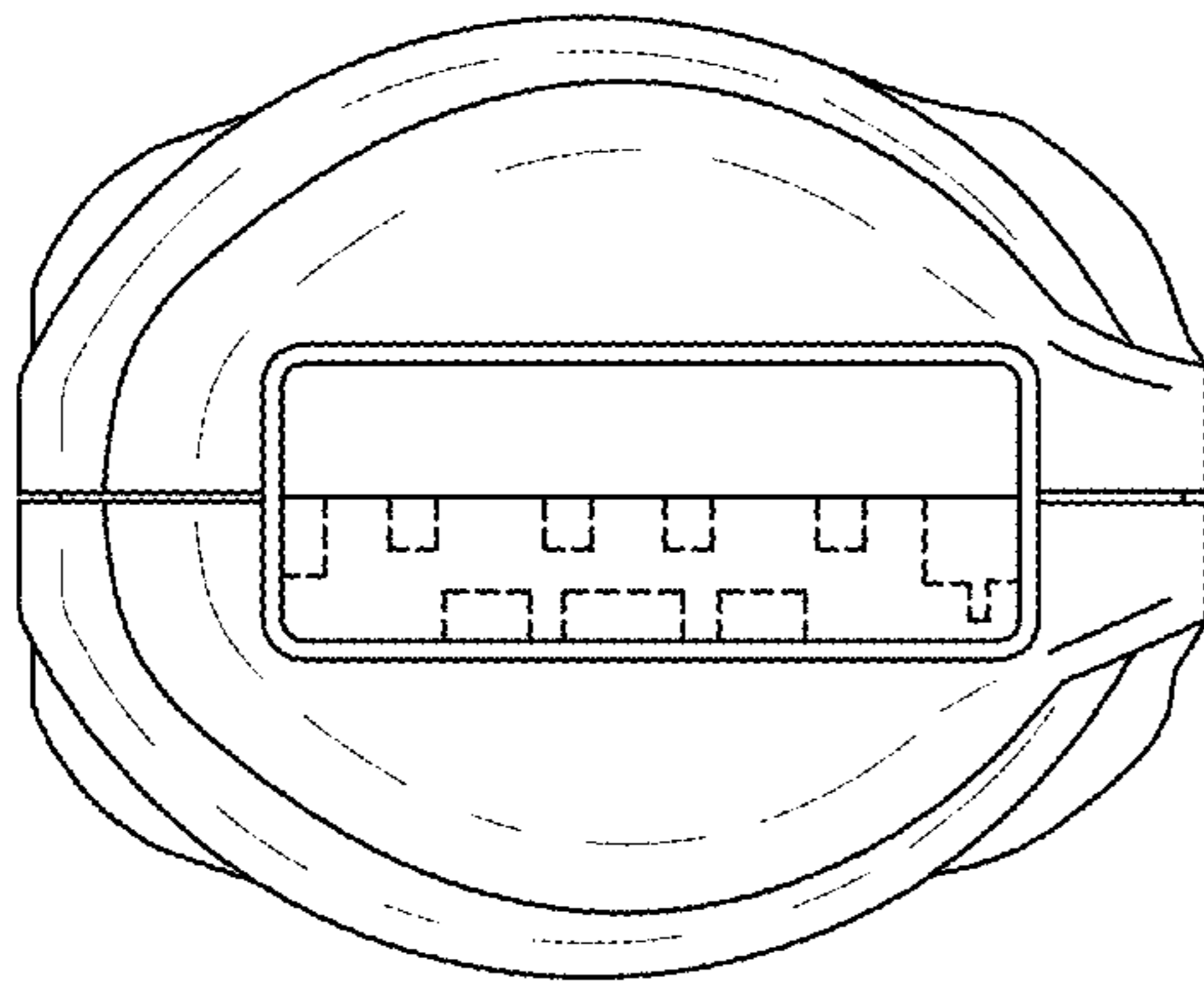


FIG. 7

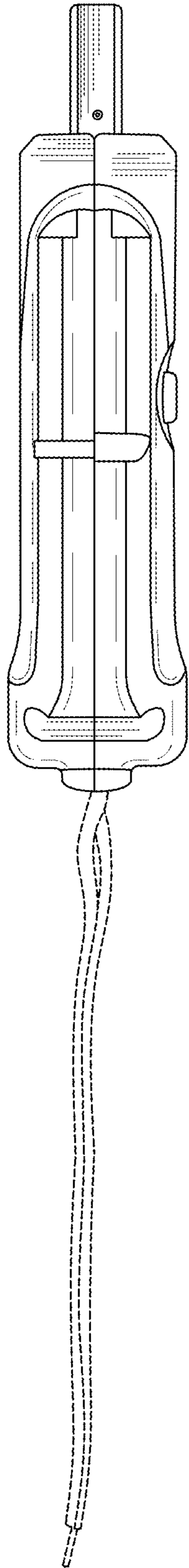


FIG. 8