



US00D947191S

(12) **United States Design Patent**
Kamiyama

(10) **Patent No.:** **US D947,191 S**
(45) **Date of Patent:** **** Mar. 29, 2022**

(54) **COVER FOR A CARTRIDGE OF AN ELECTRONIC PEN**

D720,349 S * 12/2014 Comerford D14/411
D723,565 S * 3/2015 Kujawski D14/433
D744,486 S * 12/2015 Arai D14/411

(Continued)

(71) Applicant: **Wacom Co., Ltd.**, Kazo (JP)

Primary Examiner — Austin Murphy

(72) Inventor: **Ryoji Kamiyama**, Tokyo (JP)

(74) *Attorney, Agent, or Firm* — Christensen O'Connor Johnson Kindness PLLC

(73) Assignee: **Wacom Co., Ltd.**, Kazo (JP)

(57) **CLAIM**

(**) Term: **15 Years**

The ornamental design for a cover for a cartridge of an electronic pen, as shown and described.

(21) Appl. No.: **29/755,520**

DESCRIPTION

(22) Filed: **Oct. 21, 2020**

FIG. 1 is a front-bottom-right perspective view of a cover for a cartridge of an electronic pen according to a first embodiment of my new design;

(30) **Foreign Application Priority Data**

Apr. 21, 2020 (JP) 2020-008221 D

FIG. 2 is a rear-top-left perspective view thereof;

(51) **LOC (13) Cl.** **14-02**

FIG. 3 is a front elevational view thereof, wherein the cover for a cartridge of an electronic pen has rotational symmetry about a central longitudinal axis so that the rear elevational view, the right side elevational view, and the left side elevational view are identical to the front elevational view and are not shown;

(52) **U.S. Cl.**

USPC **D14/411**

FIG. 4 is bottom plan view thereof;

(58) **Field of Classification Search**

USPC D14/372, 496, 432, 371, 125, 126, 129, D14/299, 411; D16/300-342; 351/158, 351/153, 144; 345/7-9, 905; 455/344; 348/115, 53, 121, 739

FIG. 5 is a top plan view thereof;

CPC G02B 27/017; G06F 3/016; G06F 3/033; G06F 3/0317; G06F 3/03545; G06F 3/041; G06K 9/222

FIG. 6 is a front-bottom-right perspective view of a cover for a cartridge of an electronic pen according to a second embodiment of my new design;

See application file for complete search history.

FIG. 7 is a rear-top-left perspective view thereof;

(56) **References Cited**

U.S. PATENT DOCUMENTS

D368,079 S * 3/1996 Ive D14/411
7,131,724 B2 * 11/2006 King B41J 3/36
347/109
7,180,509 B2 * 2/2007 Fermgard G06F 3/03542
178/19.05
8,308,387 B2 * 11/2012 King G06F 3/013
401/195
D681,038 S * 4/2013 Tomohiro D14/411

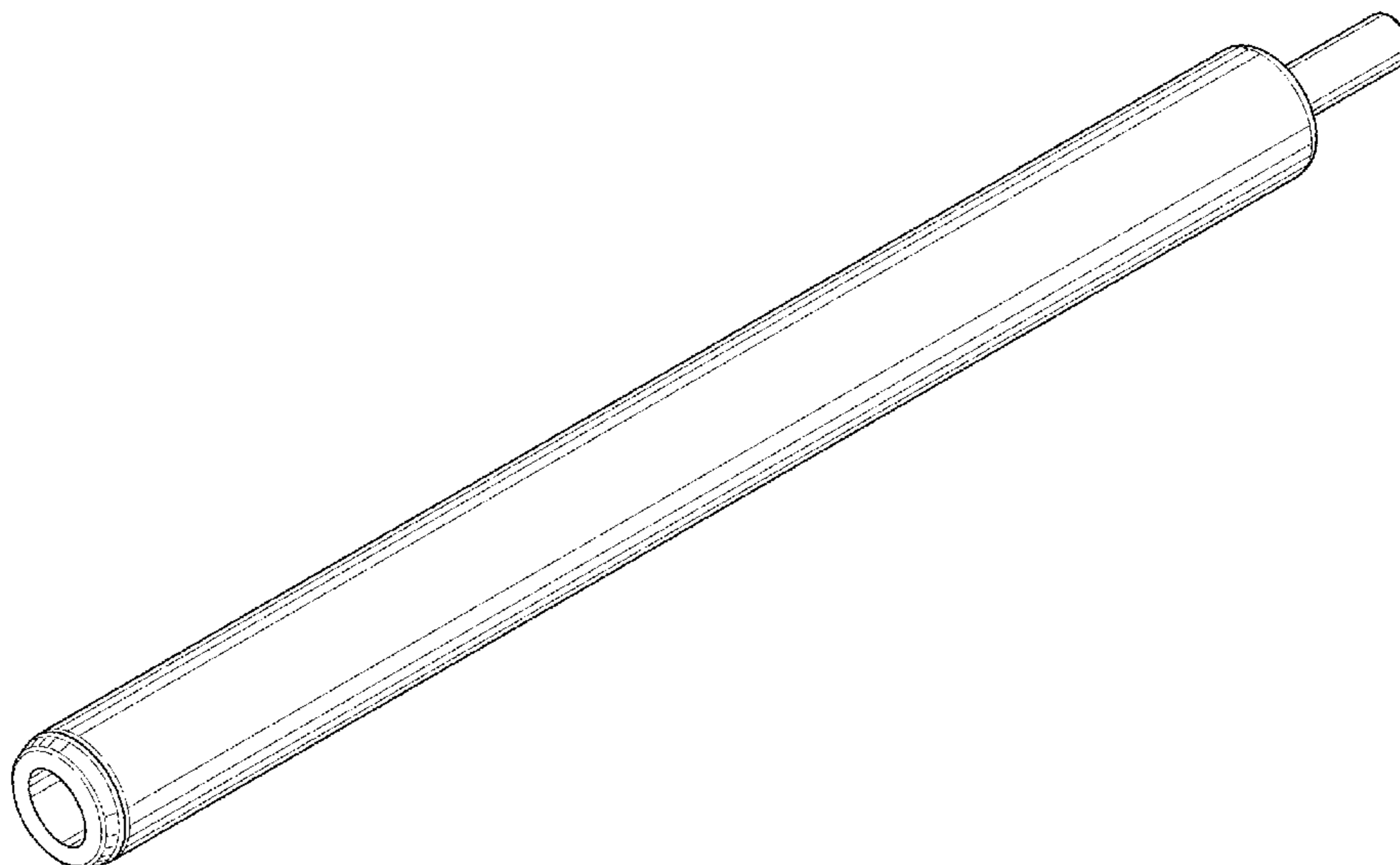
FIG. 8 is a front elevational view thereof, wherein the cover for a cartridge of an electronic pen has rotational symmetry about a central longitudinal axis so that the rear elevational view, the right side elevational view, and the left side elevational view are identical to the front elevational view and are not shown;

FIG. 9 is bottom plan view thereof; and,

FIG. 10 is a top plan view thereof.

The broken lines in the figures depict portions of the cover for a cartridge of an electronic pen that form no part of the claimed design.

1 Claim, 6 Drawing Sheets



(56)

References Cited

U.S. PATENT DOCUMENTS

D783,022 S *	4/2017	Sirota	D14/411
D826,231 S *	8/2018	Akana	D14/411
D844,001 S *	3/2019	Chu	D14/411
D845,301 S *	4/2019	Chu	D14/411
D851,087 S *	6/2019	Nishizawa	D14/411
D856,335 S *	8/2019	Lam	D14/411
D897,341 S *	9/2020	Kamiyama	D14/411
D918,207 S *	5/2021	Kim	D14/411
D933,659 S *	10/2021	Hashimoto	D14/411
D933,661 S *	10/2021	Hashimoto	D14/411

* cited by examiner

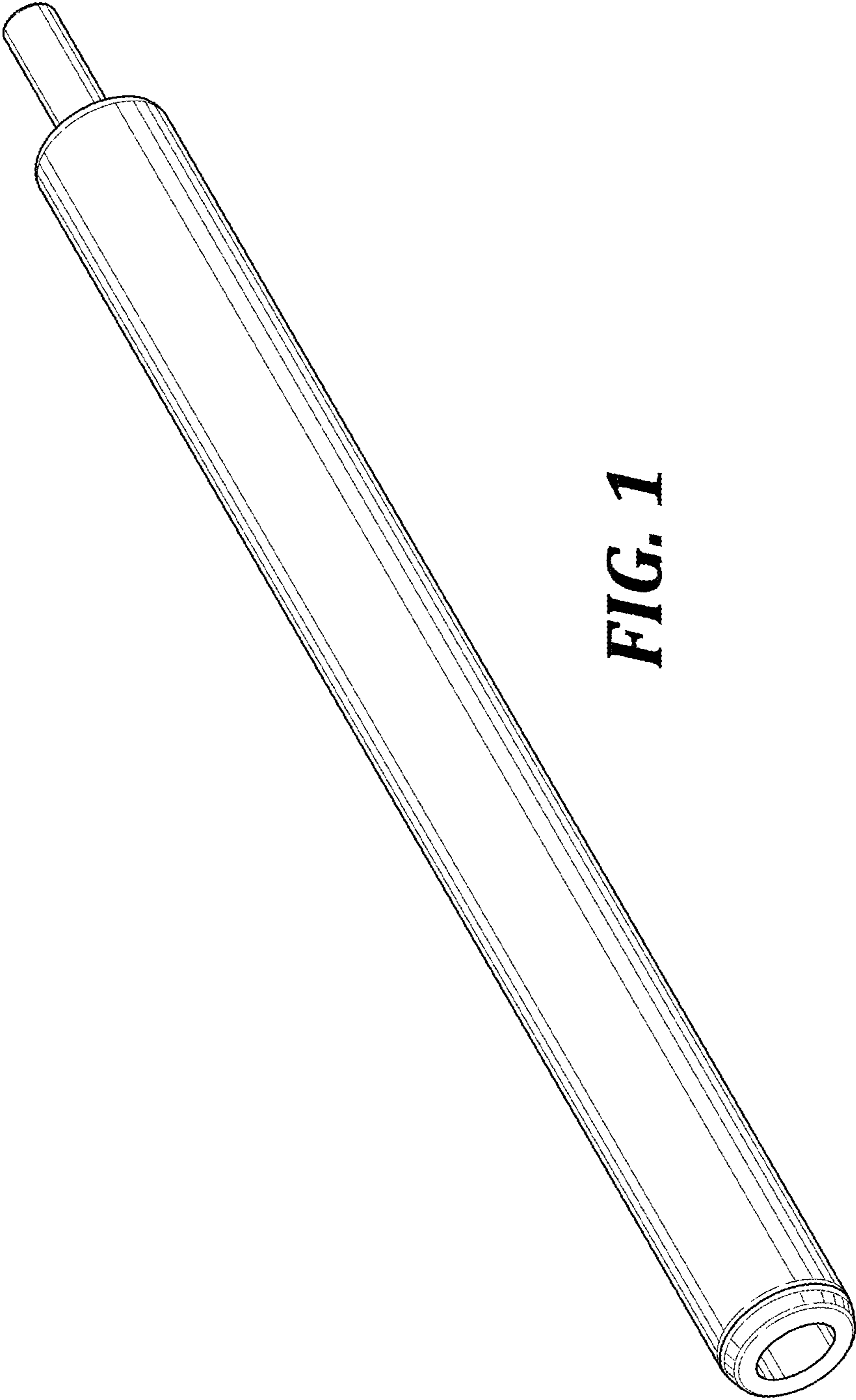


FIG. 1

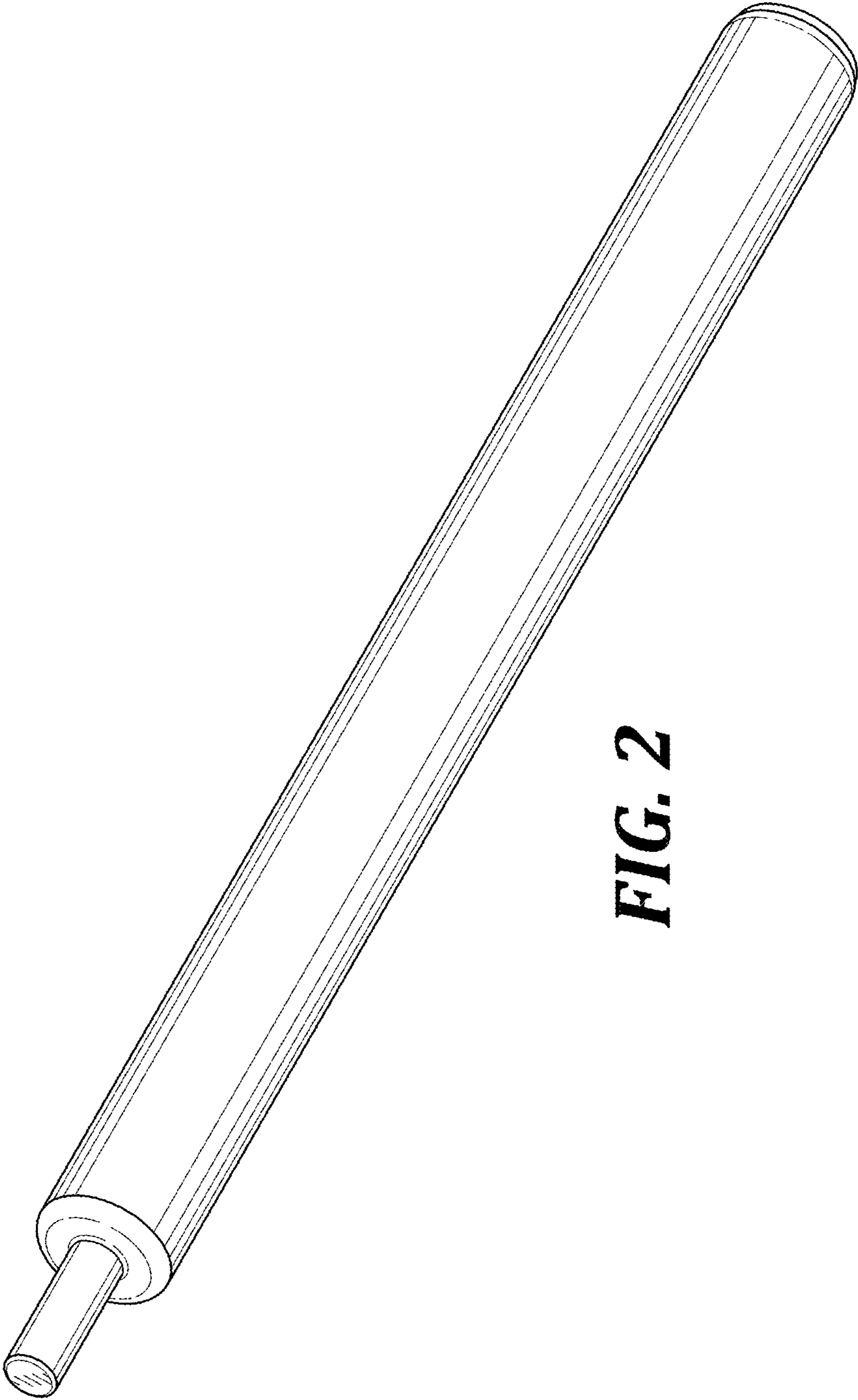


FIG. 2

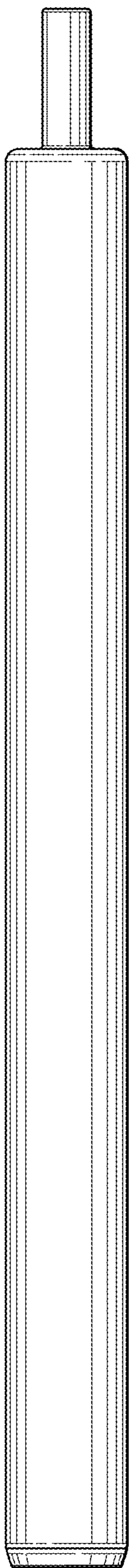


FIG. 3

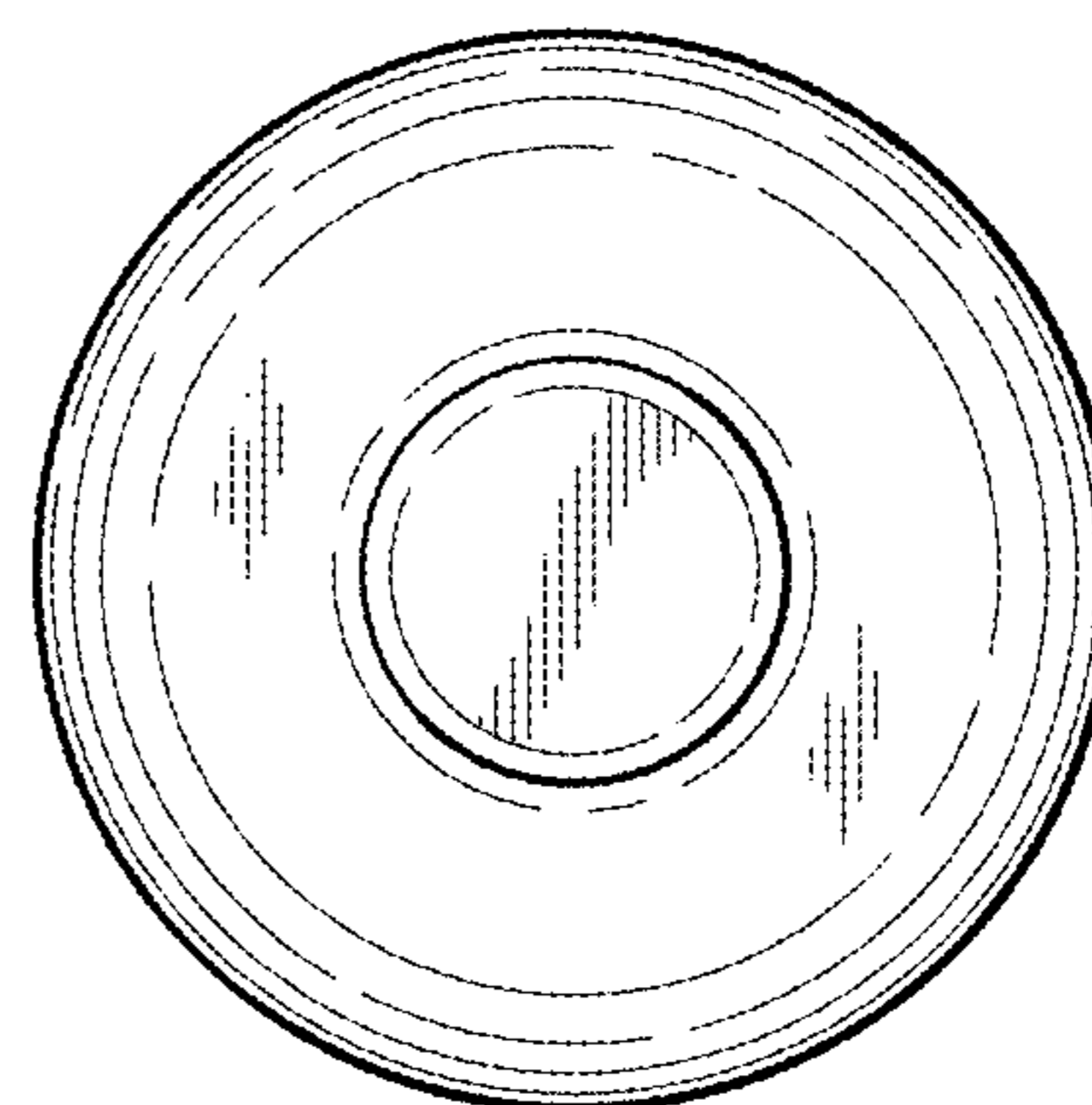


FIG. 5

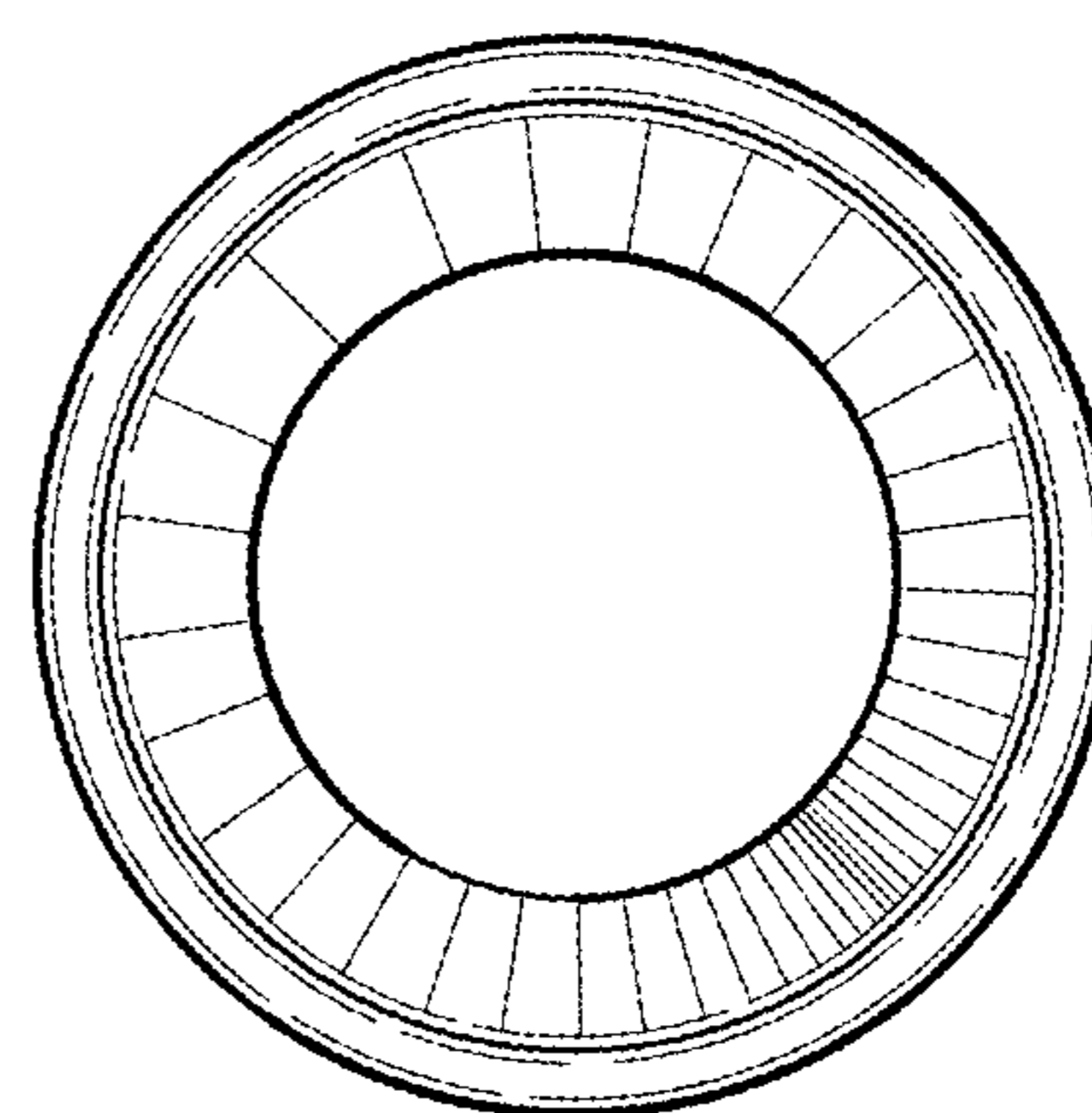


FIG. 4

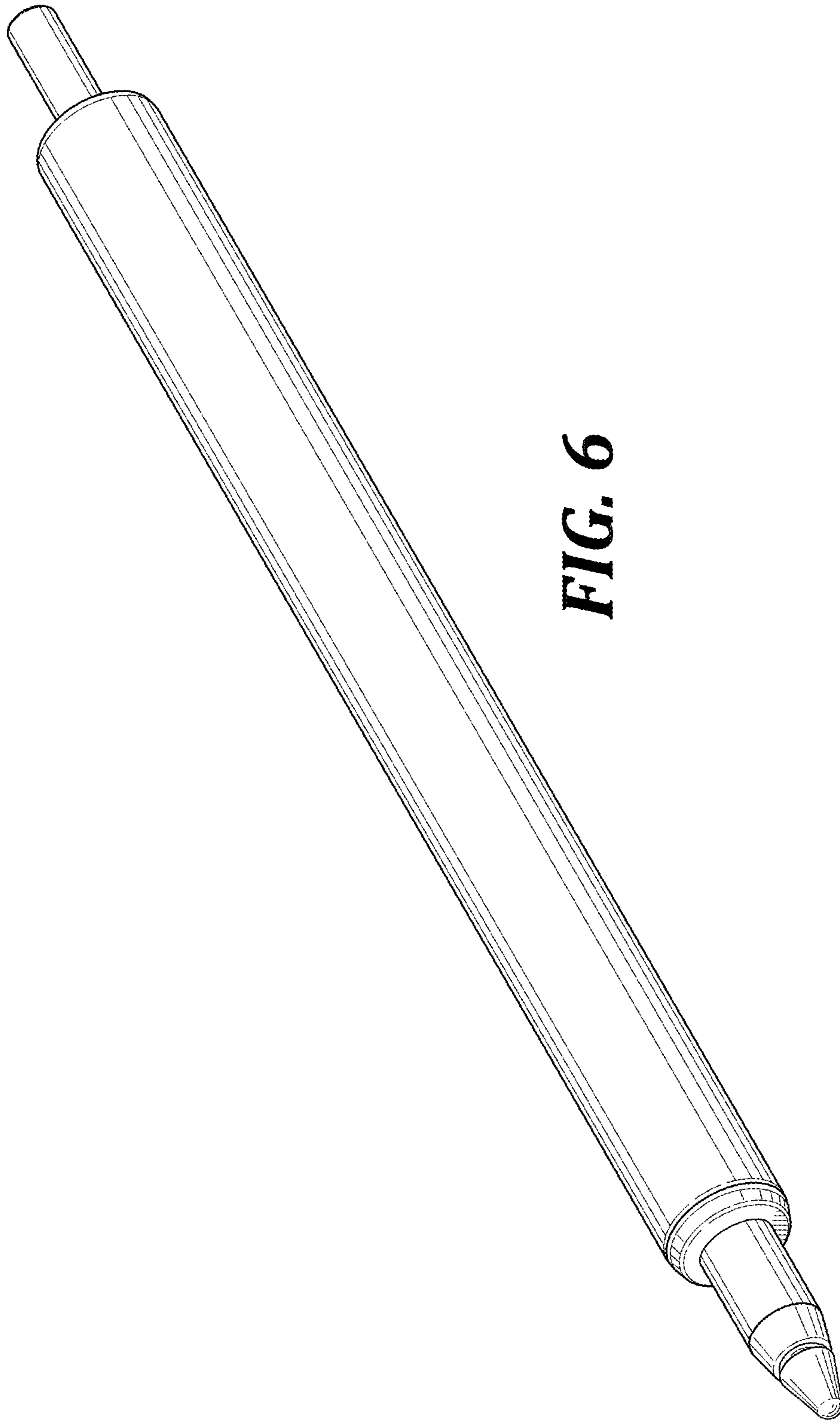


FIG. 6

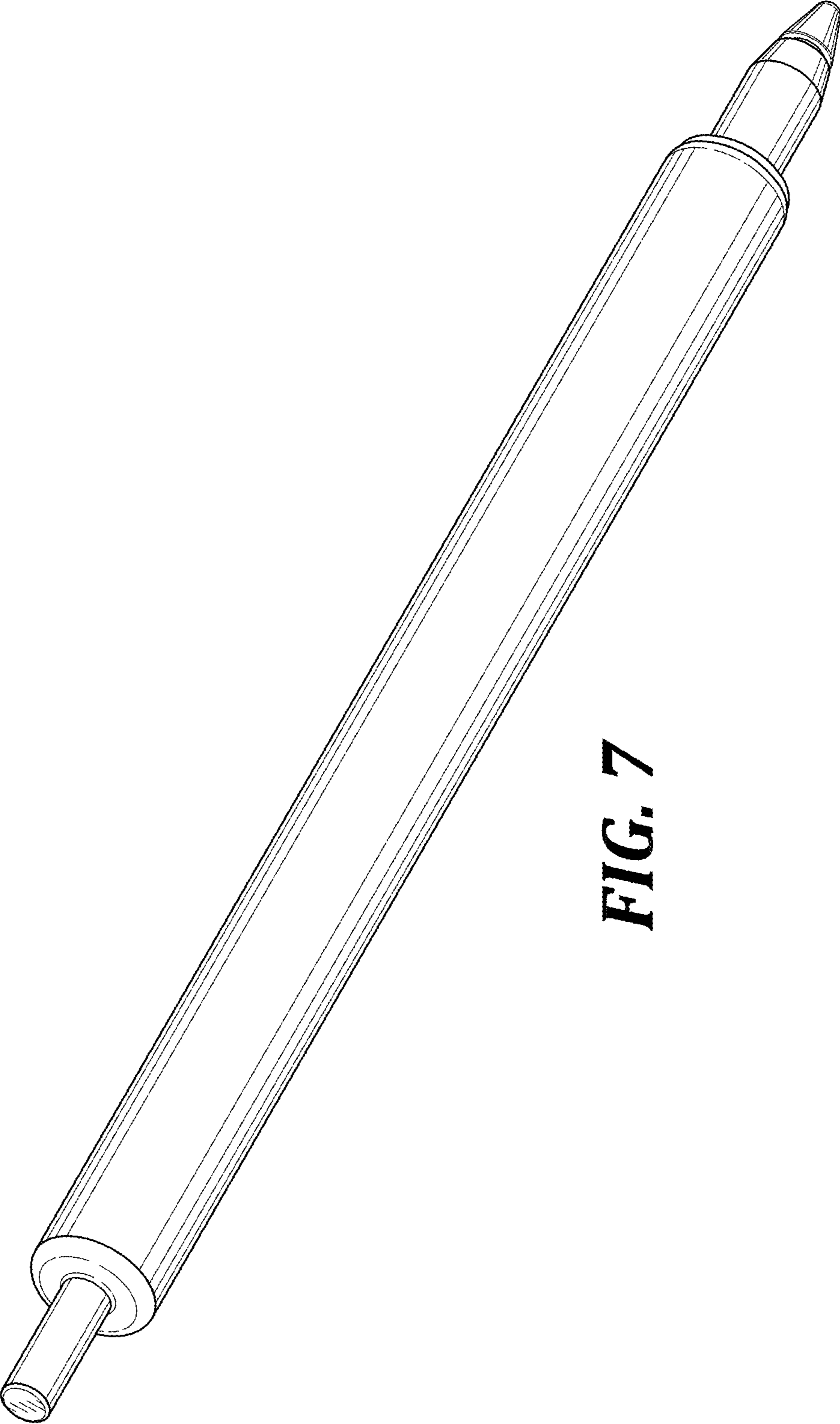


FIG. 7

FIG. 8

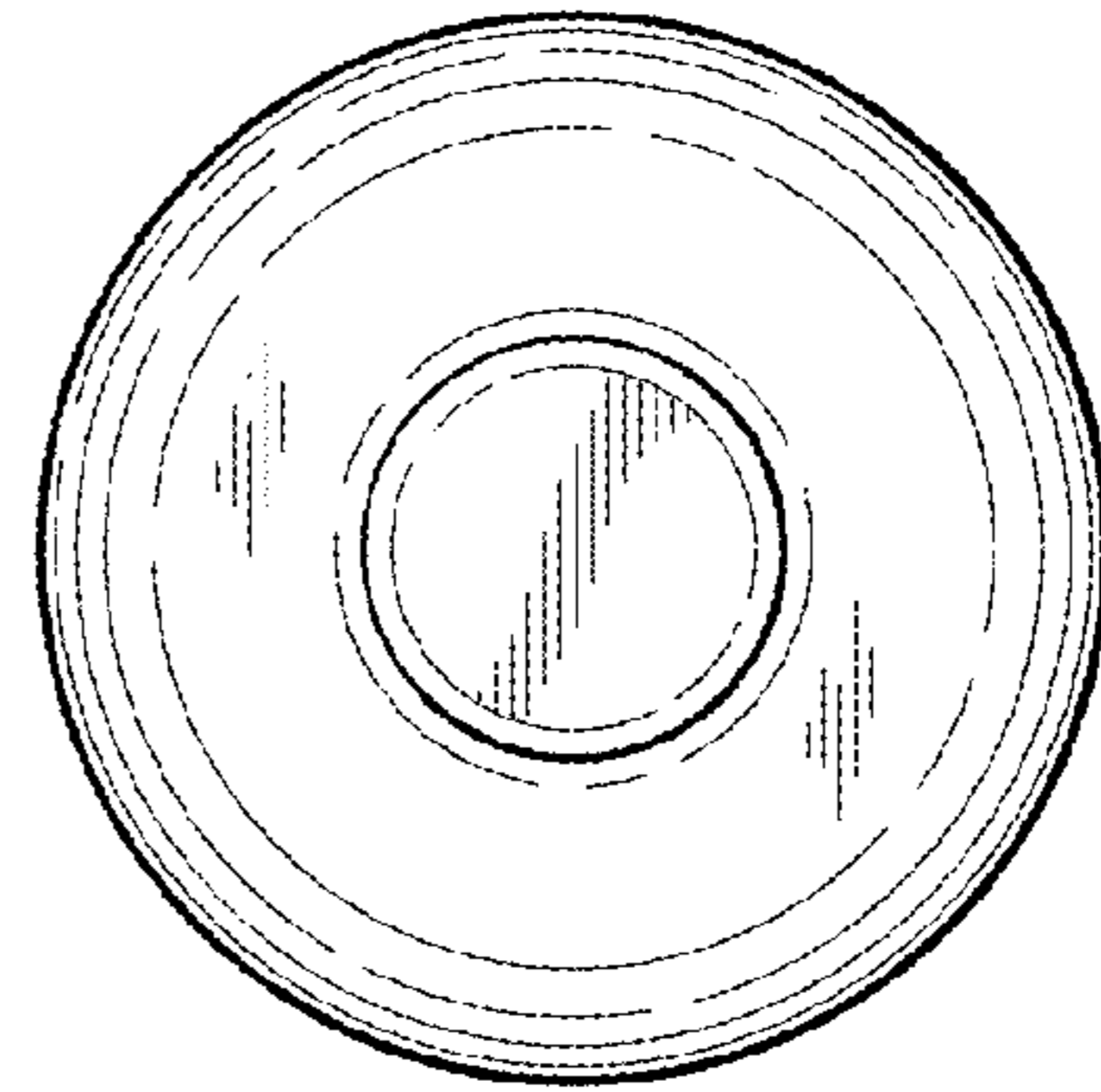
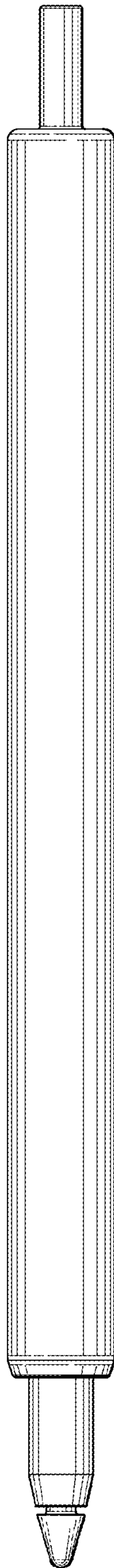


FIG. 10

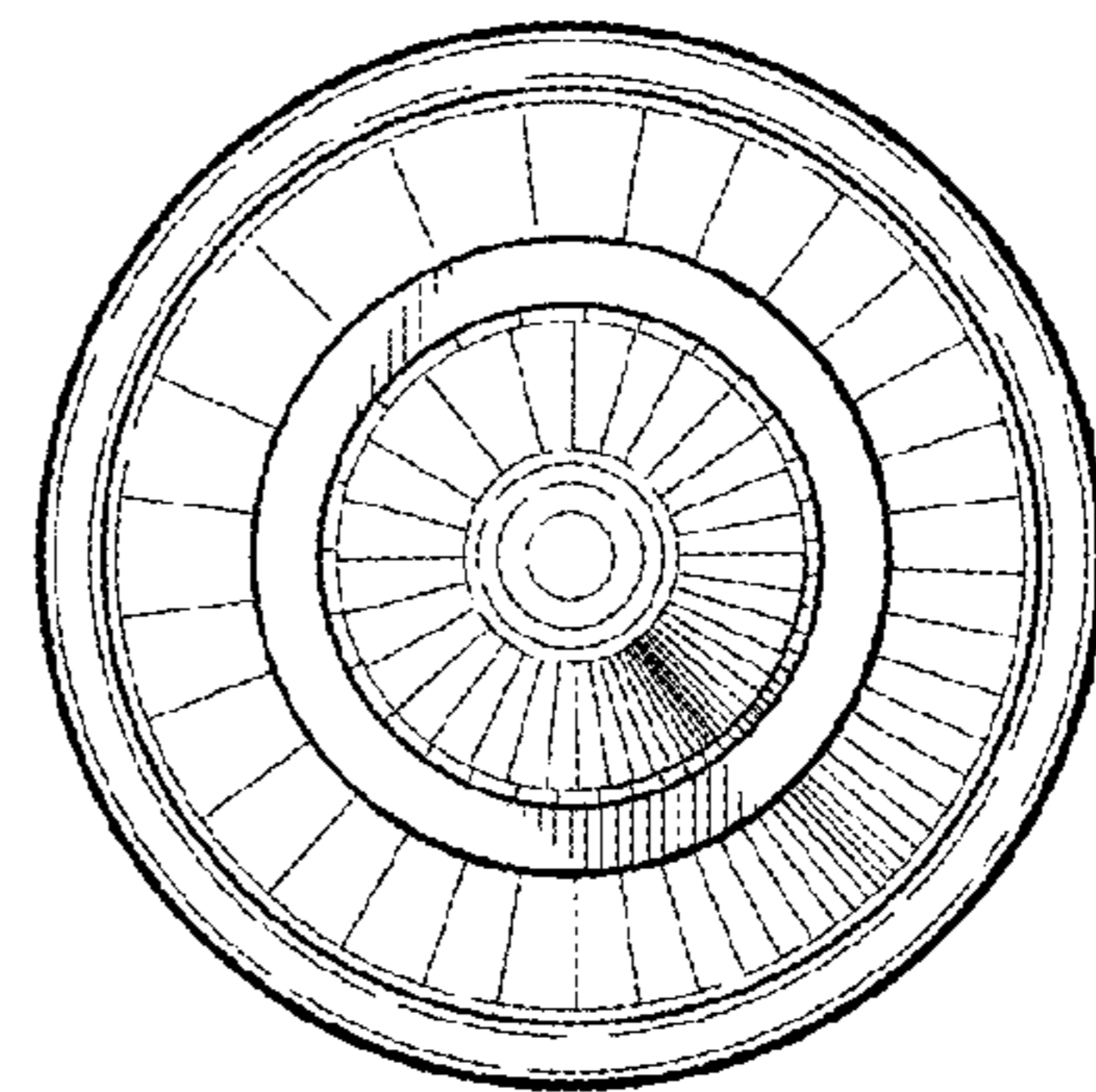


FIG. 9