

US00D947189S

(12) **United States Design Patent**
Han et al.

(10) **Patent No.:** **US D947,189 S**
(45) **Date of Patent:** **** Mar. 29, 2022**

(54) **MONITOR FOR COMPUTER**

(71) Applicant: **LG ELECTRONICS INC.**, Seoul (KR)

(72) Inventors: **Kyongtae Han**, Seoul (KR); **Daihyung Ryu**, Seoul (KR); **Hyeongyeol Kim**, Seoul (KR)

(73) Assignee: **LG ELECTRONICS INC.**, Seoul (KR)

(**) Term: **15 Years**

(21) Appl. No.: **35/511,044**

(22) Filed: **Nov. 25, 2020**

(80) **Hague Agreement Data**

Int. Filing Date: **Nov. 25, 2020**
Int. Reg. No.: **DM/211804**
Int. Reg. Date: **Nov. 25, 2020**
Int. Reg. Pub. Date: **Dec. 25, 2020**

(30) **Foreign Application Priority Data**

Jun. 10, 2020 (KR) 30-2020-0025993

(51) **LOC (13) Cl.** **14-02**

(52) **U.S. Cl.**
USPC **D14/374**

(58) **Field of Classification Search**
USPC D14/126, 239, 336, 371-382, 448, 450,
D14/451; D21/329, 332, 515; D6/310,
D6/312

CPC G06F 1/16; G06F 1/1601; G06F 1/1637;
H04N 5/64; H05K 5/0204; H05K 5/0004;
H05K 5/0017; H05K 5/0217

See application file for complete search history.

(56) **References Cited**

U.S. PATENT DOCUMENTS

| | | | | |
|--------------|---------|------|-------|---------|
| D694,209 S * | 11/2013 | Cho | | D14/126 |
| D734,280 S * | 7/2015 | Choi | | D14/126 |
| D763,259 S * | 8/2016 | Lee | | D14/375 |
| D812,615 S * | 3/2018 | Lee | | D14/375 |
| D819,029 S * | 5/2018 | Seo | | D14/374 |
| D872,085 S * | 1/2020 | Lee | | D14/374 |
| D934,245 S * | 10/2021 | Han | | D14/374 |

* cited by examiner

Primary Examiner — Keli L Hill

(74) *Attorney, Agent, or Firm* — Birch, Stewart, Kolasch & Birch, LLP

(57) **CLAIM**

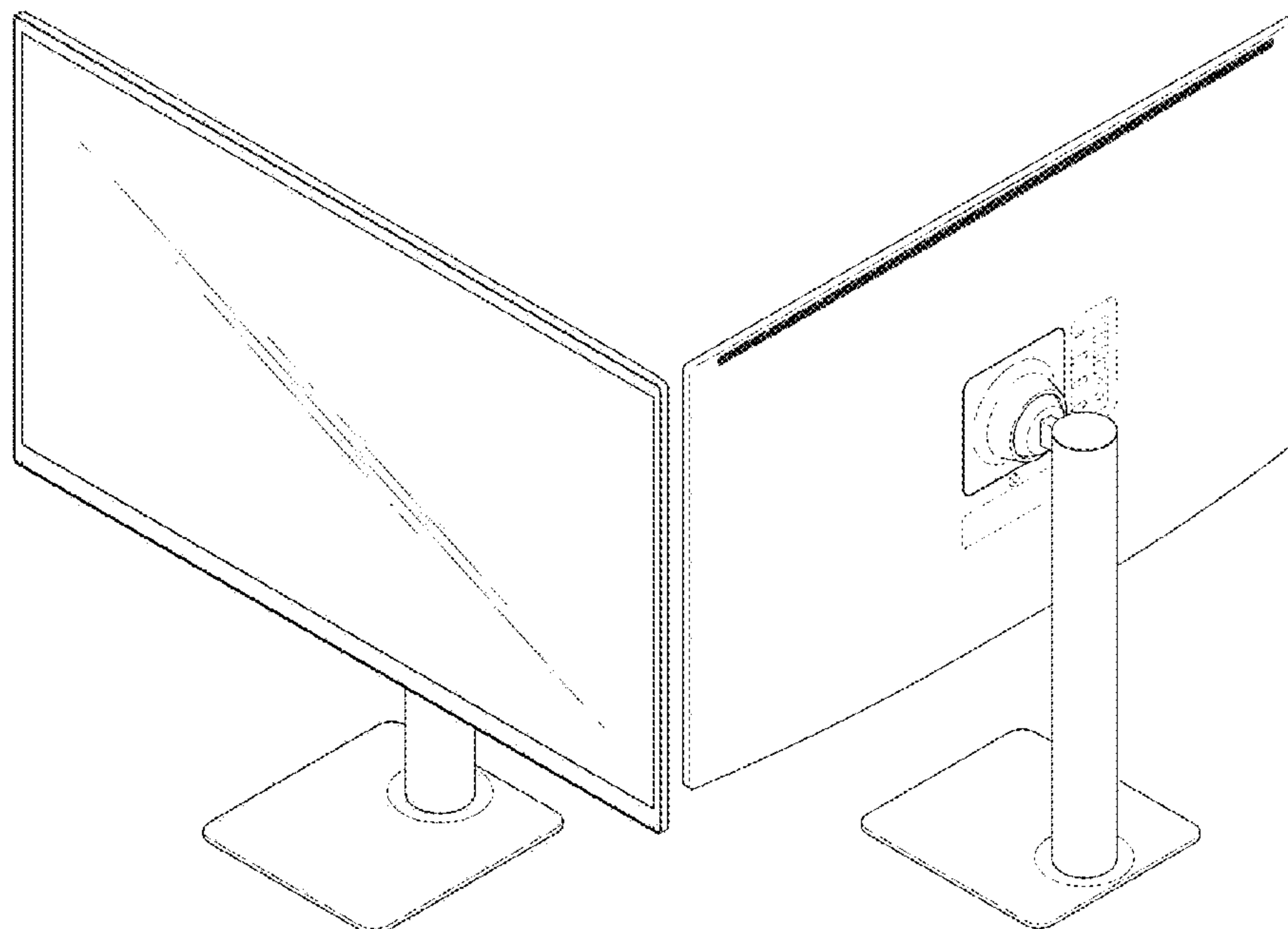
The ornamental design for a monitor for computer, as shown and described.

DESCRIPTION

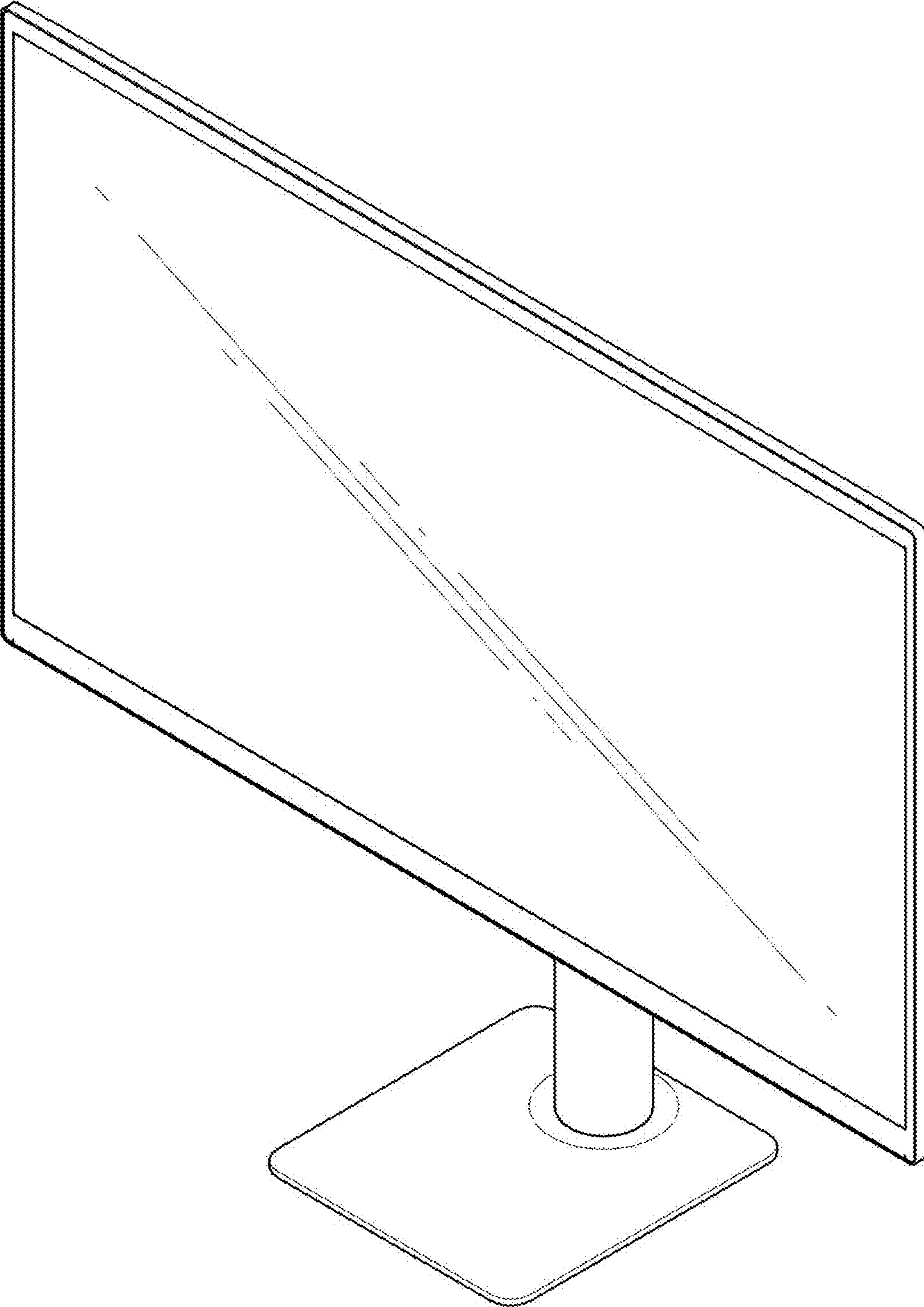
- 1. Monitor for computer
- 1.1 : Perspective
- 1.2 : Rear perspective view
- 1.3 : Front
- 1.4 : Back
- 1.5 : Left
- 1.6 : Right
- 1.7 : Top
- 1.8 : Bottom

The broken lines indicate portions of the article that form no part of the claimed design.

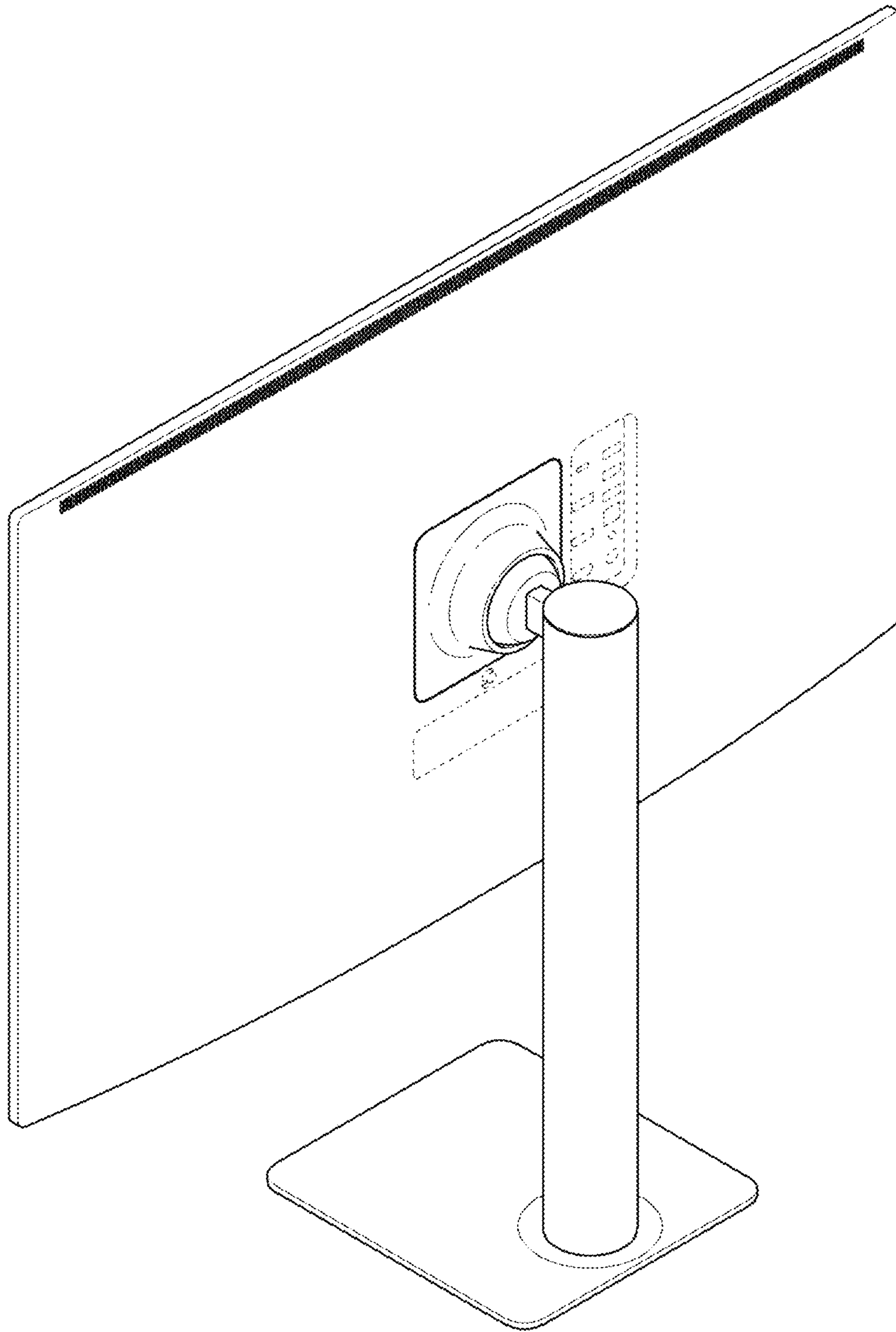
1 Claim, 8 Drawing Sheets



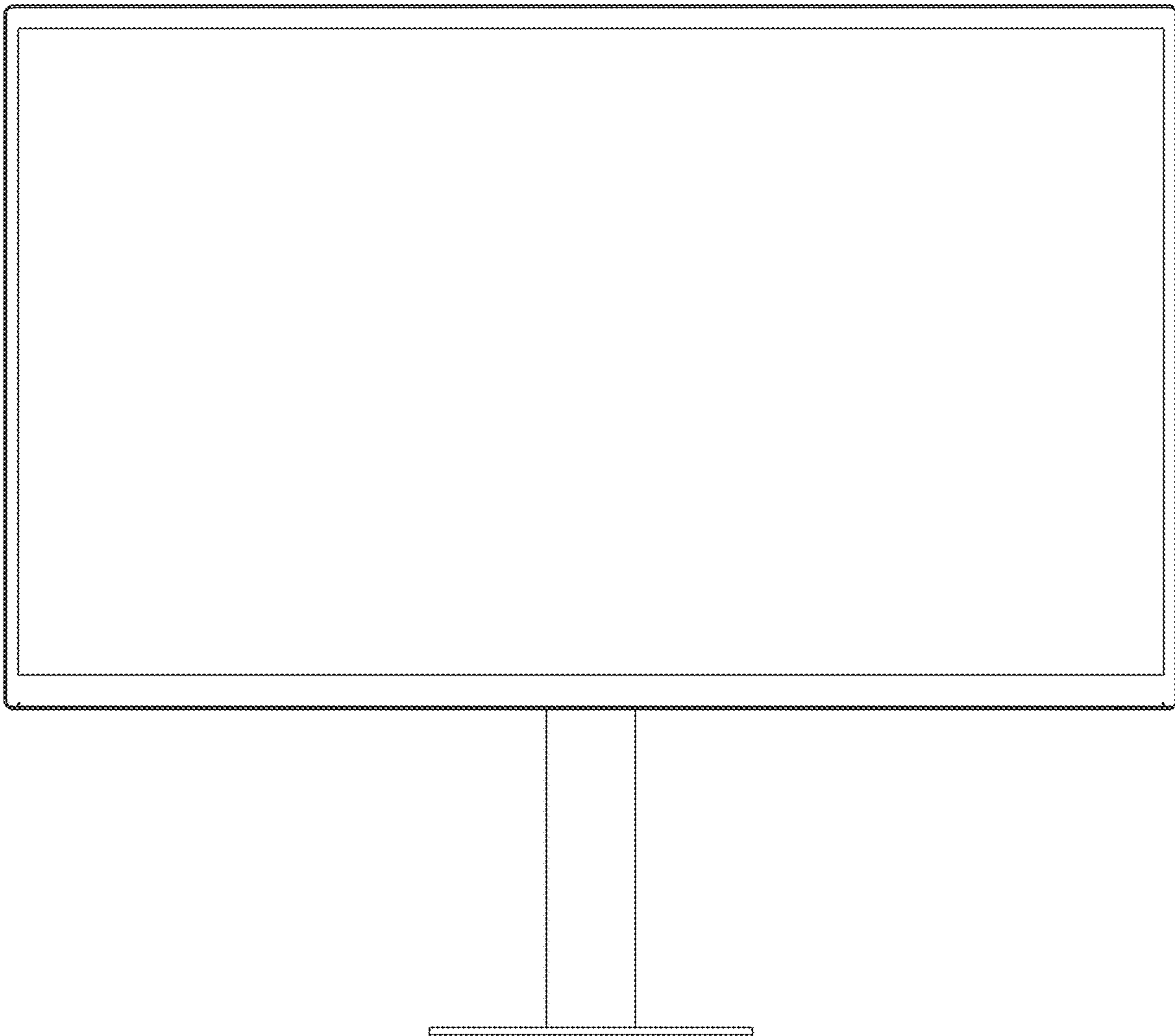
1.1



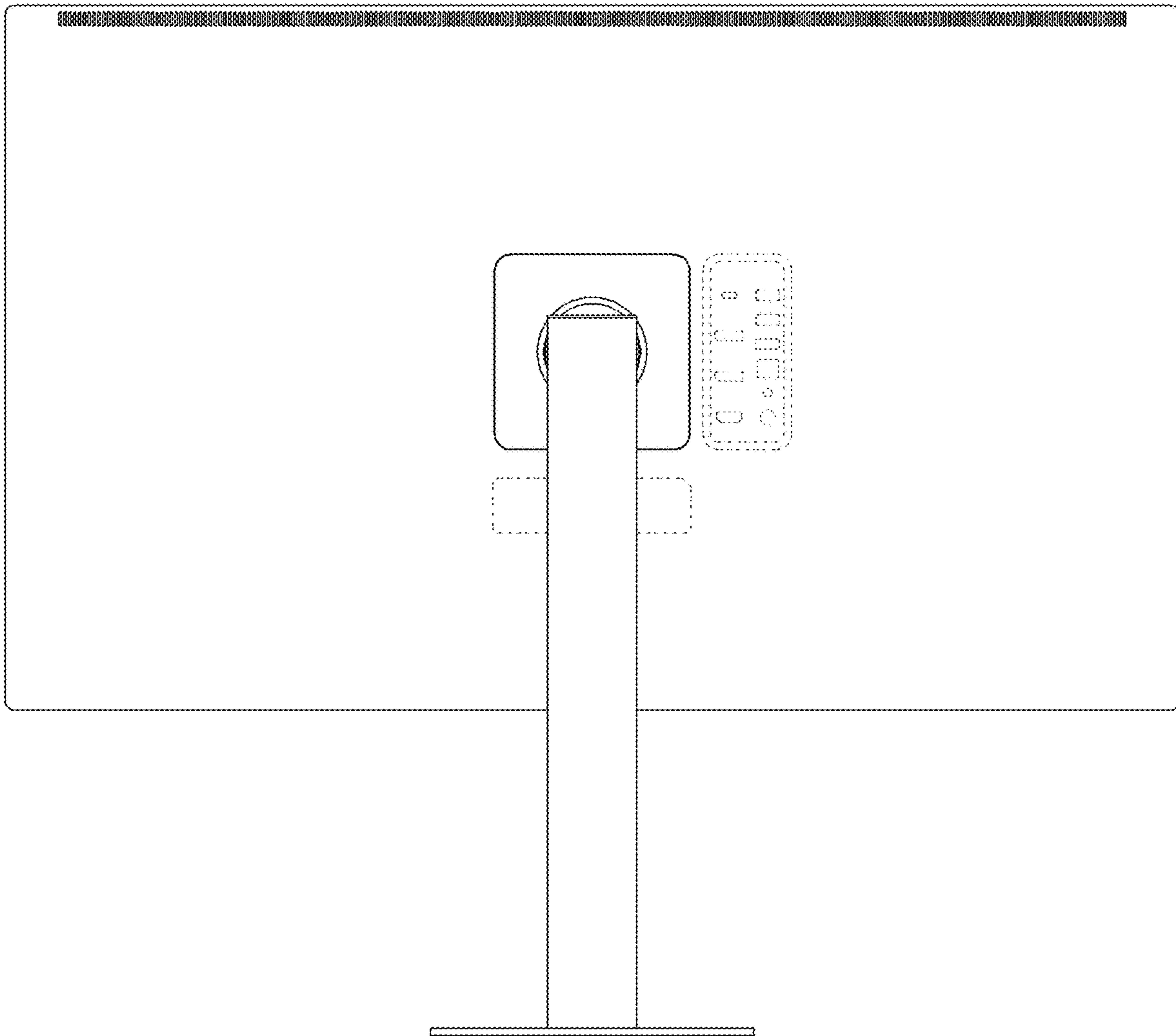
1.2



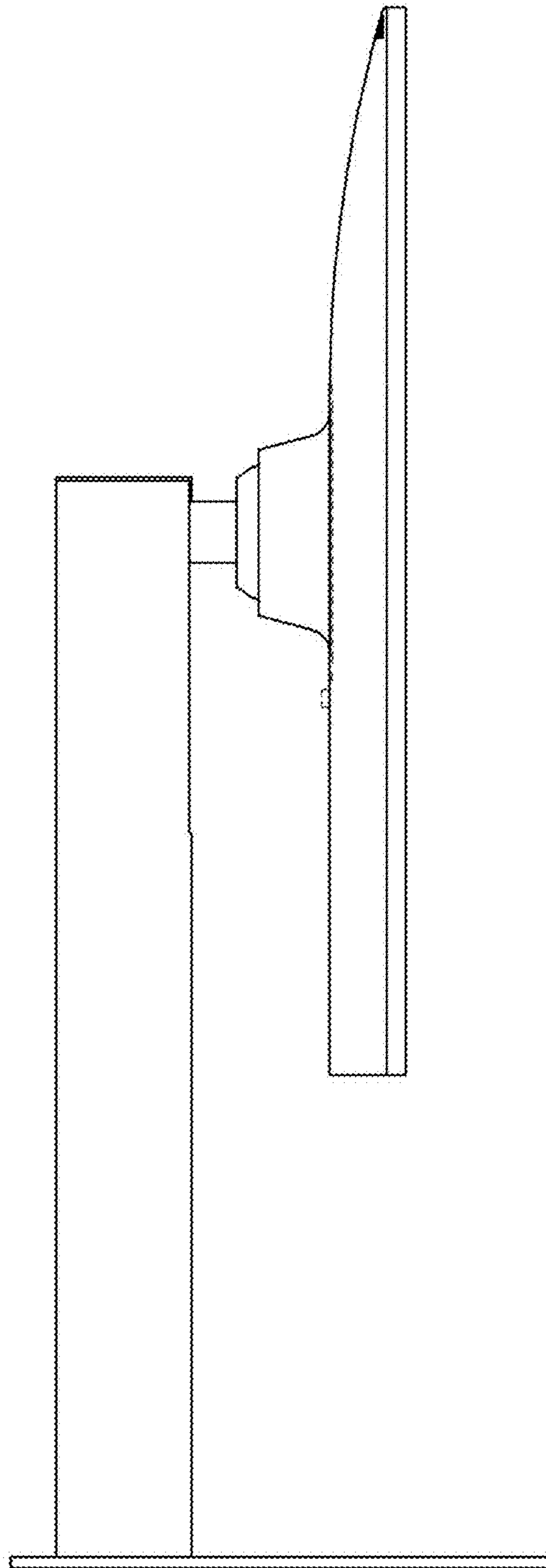
1.3



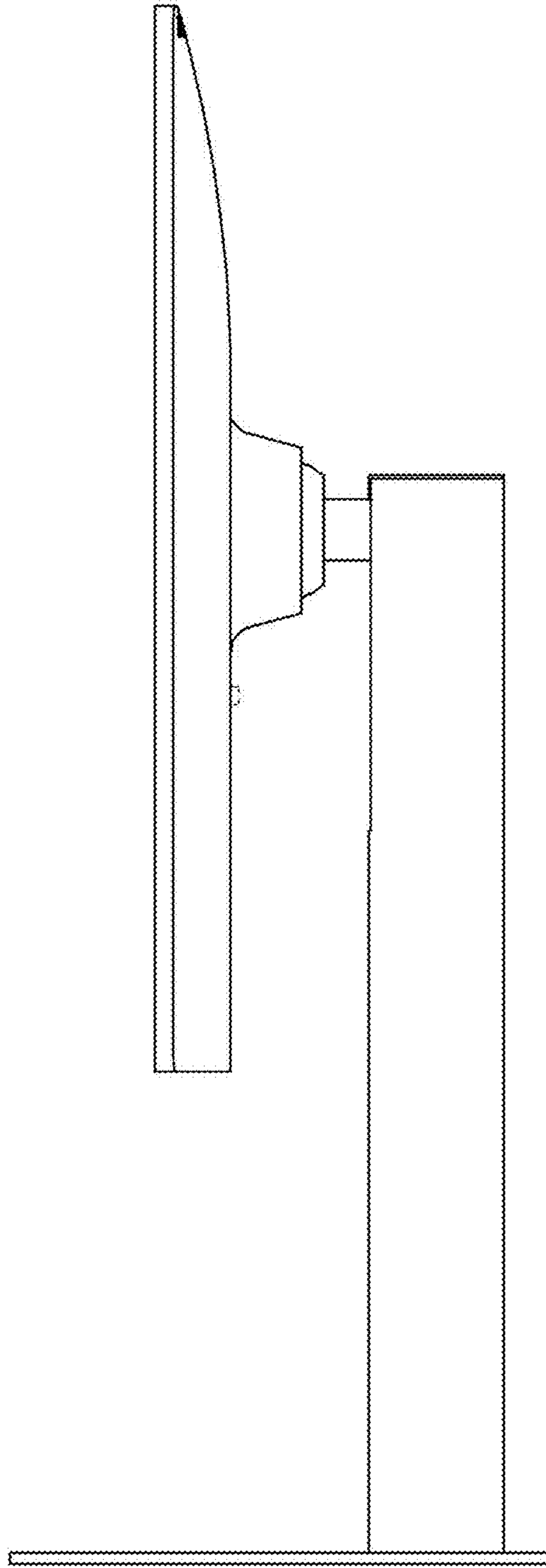
1.4



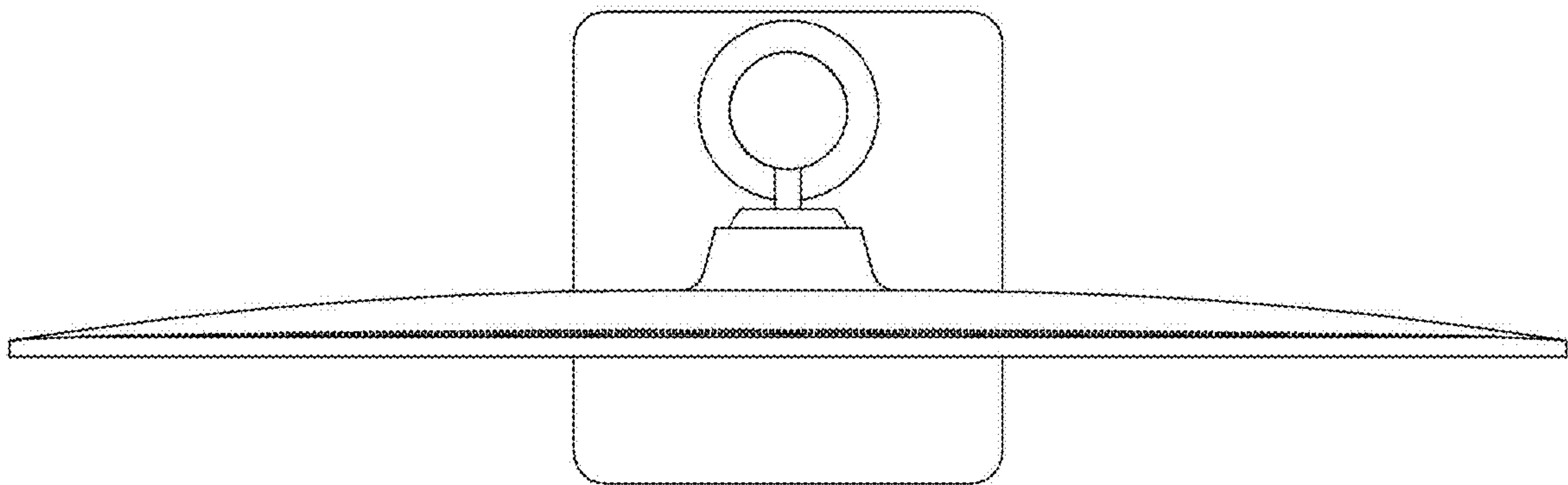
1.5



1.6



1.7



1.8

