

US00D947185S

(12) **United States Design Patent**  
**Imaizumi et al.**

(10) **Patent No.:** **US D947,185 S**  
(45) **Date of Patent:** **\*\* Mar. 29, 2022**

(54) **DATA READER**

(71) Applicant: **MITUTOYO CORPORATION**,  
Kanagawa (JP)

(72) Inventors: **Ryouichi Imaizumi**, Tokyo (JP);  
**Takayuki Yonezawa**, Tokyo (JP)

(73) Assignee: **MITUTOYO CORPORATION**,  
Kawasaki (JP)

(\*\*) Term: **15 Years**

(21) Appl. No.: **29/764,697**

(22) Filed: **Dec. 31, 2020**

(51) **LOC (13) Cl.** ..... **14-02**

(52) **U.S. Cl.**

USPC ..... **D14/357**; D14/358; D10/46

(58) **Field of Classification Search**

USPC ..... D14/356, 357, 358, 432, 441, 488, 140,  
D14/140.1, 150, 217, 257, 240, 496, 299,  
D14/242, 125, 129, 130, 142, 155, 167,  
D14/168, 172, 188, 195, 348, 351, 197,  
D14/198, 230, 104.6, 300, 301, 312, 313,  
D14/388, 474; D13/123, 162, 162.1, 168,  
D13/173, 177, 184, 199, 152, 158, 146;  
D10/104.1, 106.1, 106.95, 46, 52, 53, 60,  
D10/75, 80, 83, 94, 103, 122, 123-125,  
D10/61, 62, 70, 71

CPC ..... H04B 5/00; H04B 5/0025; H04B 5/0031;  
H04B 5/0043; G06F 3/14; G06F 11/3041;  
G06F 13/00; G06F 12/063; G06F  
15/7839; G06F 15/786; A61B 90/06;  
A61B 5/322; A61B 5/333; A61B 5/335;  
G01B 3/205; G01B 2210/40; G01B 7/12

See application file for complete search history.

(56) **References Cited**

**U.S. PATENT DOCUMENTS**

3,955,073 A \* 5/1976 Carew ..... G01B 5/0021  
702/161  
D244,762 S \* 6/1977 Wasmer ..... D10/75

D248,628 S \* 7/1978 Schwartz ..... D10/75  
D267,155 S \* 12/1982 McClung ..... D10/74  
D281,493 S \* 11/1985 Prager ..... D13/162.1  
D288,685 S \* 3/1987 Arai ..... D14/125  
D338,193 S \* 8/1993 Sasaki ..... D13/147  
D345,144 S \* 3/1994 Thomas ..... D13/162.1  
D351,138 S \* 10/1994 Shimizu ..... D13/152  
D368,266 S \* 3/1996 McClain ..... D14/218  
D399,152 S \* 10/1998 Manos ..... D10/81

(Continued)

**OTHER PUBLICATIONS**

Mitutoyo Data Processing Equipment. (Design—© Questel) orbit.com. [online PDF of Foreign references] 78 pgs. Print Dates range Apr. 13, 2020-Mar. 8, 2021. [Retrieved Dec. 16, 2021] <https://www.orbit.com/export/QPTUJ214/pdf2/552f123c-dbf6-40e8-9c5a-80cddb91ec8d-202050.pdf>.\*

(Continued)

*Primary Examiner* — Marie D. Fast Horse  
(74) *Attorney, Agent, or Firm* — Oliff PLC

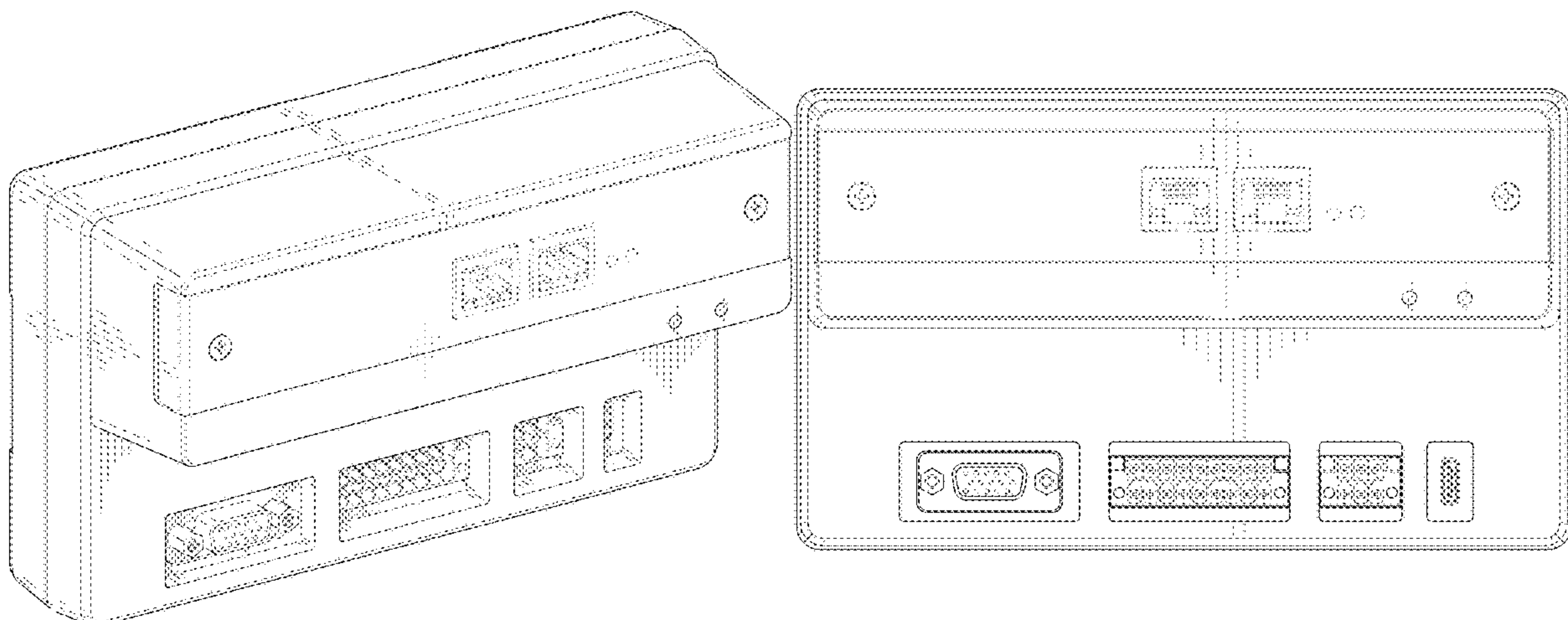
(57) **CLAIM**

The ornamental design for a data reader, as shown and described.

**DESCRIPTION**

FIG. 1 is a front, left-side, top perspective view of the data reader, showing the new design; FIG. 2 is a front elevational view thereof; FIG. 3 is a rear elevational view thereof; FIG. 4 is a left-side elevational view thereof; FIG. 5 is a right-side elevational view thereof; FIG. 6 is a top plan view thereof; FIG. 7 is a bottom plan view thereof; and, FIG. 8 is a rear, right-side, top perspective view thereof. The broken lines depict parts of the data reader that form no part of the claimed design.

**1 Claim, 7 Drawing Sheets**



(56)

References Cited

U.S. PATENT DOCUMENTS

D400,180 S \* 10/1998 Shimizu ..... D13/162.1  
 D413,323 S \* 8/1999 Tashiro ..... D14/357  
 D417,439 S \* 12/1999 Ropponen ..... D13/184  
 D443,248 S \* 6/2001 Sakasegawa ..... D13/123  
 D443,586 S \* 6/2001 Sakasegawa ..... D13/123  
 D443,587 S \* 6/2001 Sakasegawa ..... D13/123  
 D454,873 S \* 3/2002 Clark ..... D14/358  
 D464,353 S \* 10/2002 Goto ..... D14/242  
 D465,495 S \* 11/2002 Goto ..... D14/242  
 D467,543 S \* 12/2002 Sakasegawa ..... D13/123  
 D474,185 S \* 5/2003 Goto ..... D14/433  
 D487,261 S \* 3/2004 Cors ..... D13/184  
 D491,187 S \* 6/2004 Mambakkam ..... D14/383  
 D495,700 S \* 9/2004 Mukai ..... D14/356  
 D509,214 S \* 9/2005 Chung ..... D14/240  
 D525,197 S \* 7/2006 Tanabe ..... D13/123  
 D570,232 S \* 6/2008 Kaluza ..... D10/46  
 D573,985 S \* 7/2008 Jeong ..... D14/240  
 D576,561 S \* 9/2008 Kaluza ..... D13/162  
 D576,562 S \* 9/2008 Kaluza ..... D13/162  
 D587,269 S \* 2/2009 Keepports ..... D14/188  
 D596,969 S \* 7/2009 Igelmund ..... D10/75  
 D603,349 S \* 11/2009 Liu ..... D13/162.1  
 D605,120 S \* 12/2009 Pape ..... D13/123  
 D608,735 S \* 1/2010 Kashimoto ..... D13/110  
 D609,195 S \* 2/2010 Yamashita ..... D13/162  
 D620,454 S \* 7/2010 Lissola ..... D13/164  
 D659,652 S \* 5/2012 Wong ..... D13/162.1  
 D684,955 S \* 6/2013 Deck ..... D14/240  
 D684,956 S \* 6/2013 Deck ..... D14/240  
 D685,354 S \* 7/2013 Deck ..... D14/240  
 D702,242 S \* 4/2014 Tsuda ..... D14/439  
 D705,189 S \* 5/2014 Chovin ..... D14/159  
 D717,733 S \* 11/2014 Cech ..... D13/147  
 D721,349 S \* 1/2015 Sugai ..... D14/159  
 D727,906 S \* 4/2015 Neumann ..... D14/433  
 D737,765 S \* 9/2015 Sekine ..... D13/110  
 D739,353 S \* 9/2015 Mielnik ..... D13/123  
 D750,613 S \* 3/2016 Riedel ..... D14/301  
 D758,365 S \* 6/2016 Shimano ..... D14/358  
 D766,182 S \* 9/2016 Mielnik ..... D13/123  
 D768,585 S \* 10/2016 Moore ..... D13/184  
 D769,246 S \* 10/2016 Mielnik ..... D14/433  
 D773,427 S \* 12/2016 Kondo ..... D14/155  
 D774,016 S \* 12/2016 Kondo ..... D14/155  
 D775,102 S \* 12/2016 Kondo ..... D14/155  
 D776,077 S \* 1/2017 Kondo ..... D14/155  
 D788,106 S \* 5/2017 Lin ..... D14/356  
 D792,353 S \* 7/2017 Yoshida ..... D13/162

D819,631 S \* 6/2018 Matsumiya ..... D14/357  
 D821,393 S \* 6/2018 Matsumiya ..... D14/358  
 D825,472 S \* 8/2018 Yamanaka ..... D13/147  
 D825,501 S \* 8/2018 Yamaguchi ..... D13/182  
 D825,557 S \* 8/2018 Matsumiya ..... D14/358  
 D832,261 S \* 10/2018 Mielnik ..... D14/433  
 D837,152 S \* 1/2019 Wegerer ..... D13/110  
 D855,025 S \* 7/2019 Jurgens ..... D13/158  
 D856,291 S \* 8/2019 Sun ..... D14/125  
 D857,636 S \* 8/2019 Ueda ..... D13/162.1  
 D857,637 S \* 8/2019 Ueda ..... D13/162.1  
 D865,731 S \* 11/2019 Sun ..... D14/240  
 D868,006 S \* 11/2019 Ueda ..... D13/162.1  
 D869,404 S \* 12/2019 Ueda ..... D13/162.1  
 D873,269 S \* 1/2020 Hu ..... D14/358  
 D902,191 S \* 11/2020 Zou ..... D14/240  
 D902,204 S \* 11/2020 Li ..... D14/358  
 D902,925 S \* 11/2020 Li ..... D14/358  
 D904,317 S \* 12/2020 Choi ..... D13/162.1  
 D905,638 S \* 12/2020 Kato ..... D13/110  
 D905,689 S \* 12/2020 Li ..... D14/358  
 D905,690 S \* 12/2020 Li ..... D14/358  
 D906,960 S \* 1/2021 Kato ..... D13/110  
 D906,961 S \* 1/2021 Kato ..... D13/110  
 D906,962 S \* 1/2021 Kato ..... D13/110  
 D906,963 S \* 1/2021 Kato ..... D13/110  
 D907,633 S \* 1/2021 Li ..... D14/358  
 D914,017 S \* 3/2021 Li ..... D14/358  
 D916,701 S \* 4/2021 Shin ..... D14/358  
 D919,628 S \* 5/2021 Ma ..... D14/433  
 D920,927 S \* 6/2021 Tachibana ..... D13/159  
 D920,928 S \* 6/2021 Tachibana ..... D13/159  
 D922,333 S \* 6/2021 Fitzgerald ..... D13/162.1  
 D922,365 S \* 6/2021 Liu ..... D14/240  
 D926,709 S \* 8/2021 Tachibana ..... D13/159  
 D929,940 S \* 9/2021 Kato ..... D13/110  
 D936,052 S \* 11/2021 Li ..... D14/358  
 D937,258 S \* 11/2021 Li ..... D14/358  
 D937,259 S \* 11/2021 Li ..... D14/358  
 D937,830 S \* 12/2021 Li ..... D14/358  
 D938,419 S \* 12/2021 Li ..... D14/358  
 D938,420 S \* 12/2021 Li ..... D14/358

OTHER PUBLICATIONS

Controller, Keyence Corporation.  
 Laser Outer-Diameter Measuring Instrument, Takikawa Engineering Co., Ltd.  
 Laser Scanning Type Non-Contact Outer-Diameter/Dimension Measuring Instrument, Tokyo Opto-Electronics Co., Ltd.

\* cited by examiner



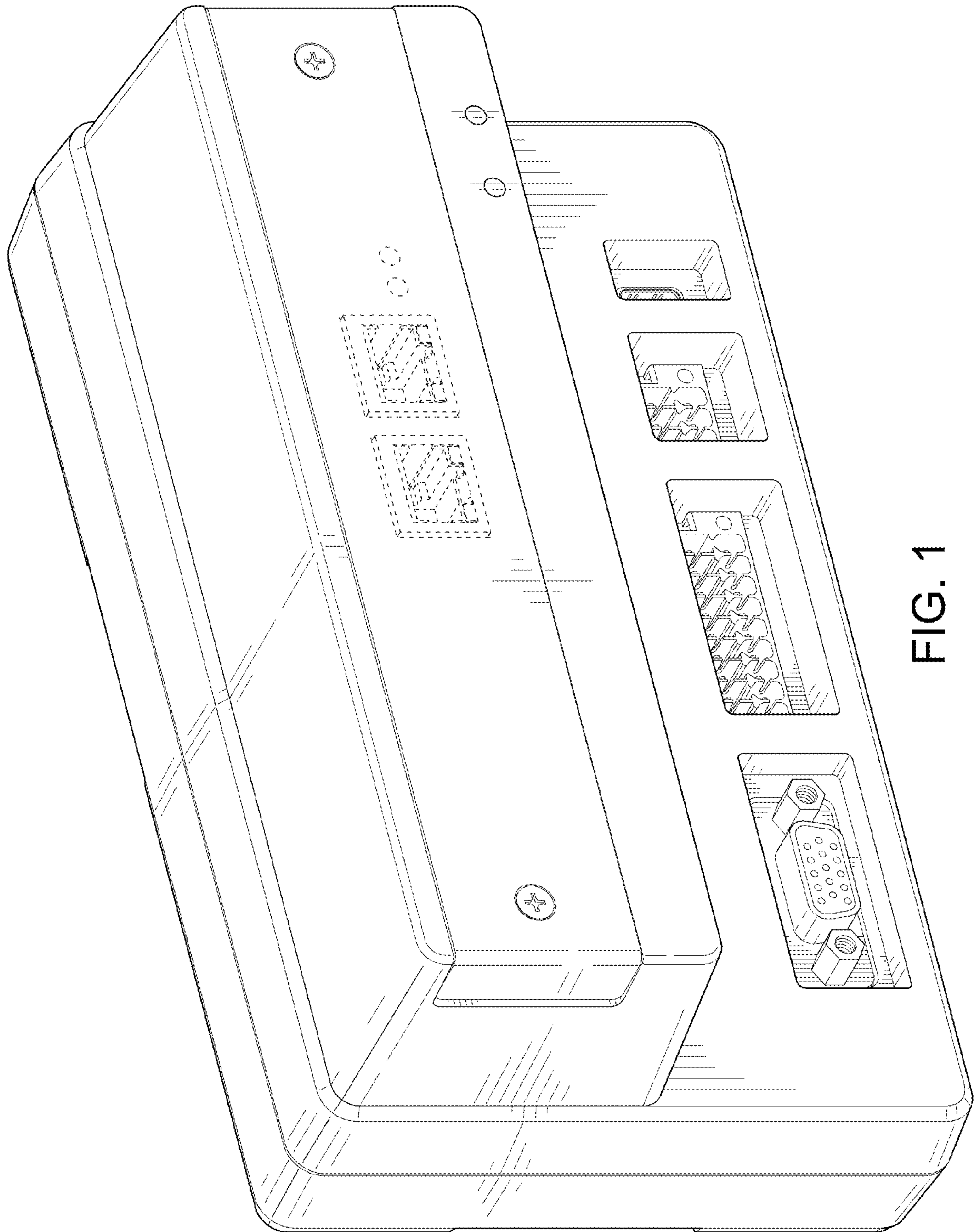


FIG. 1

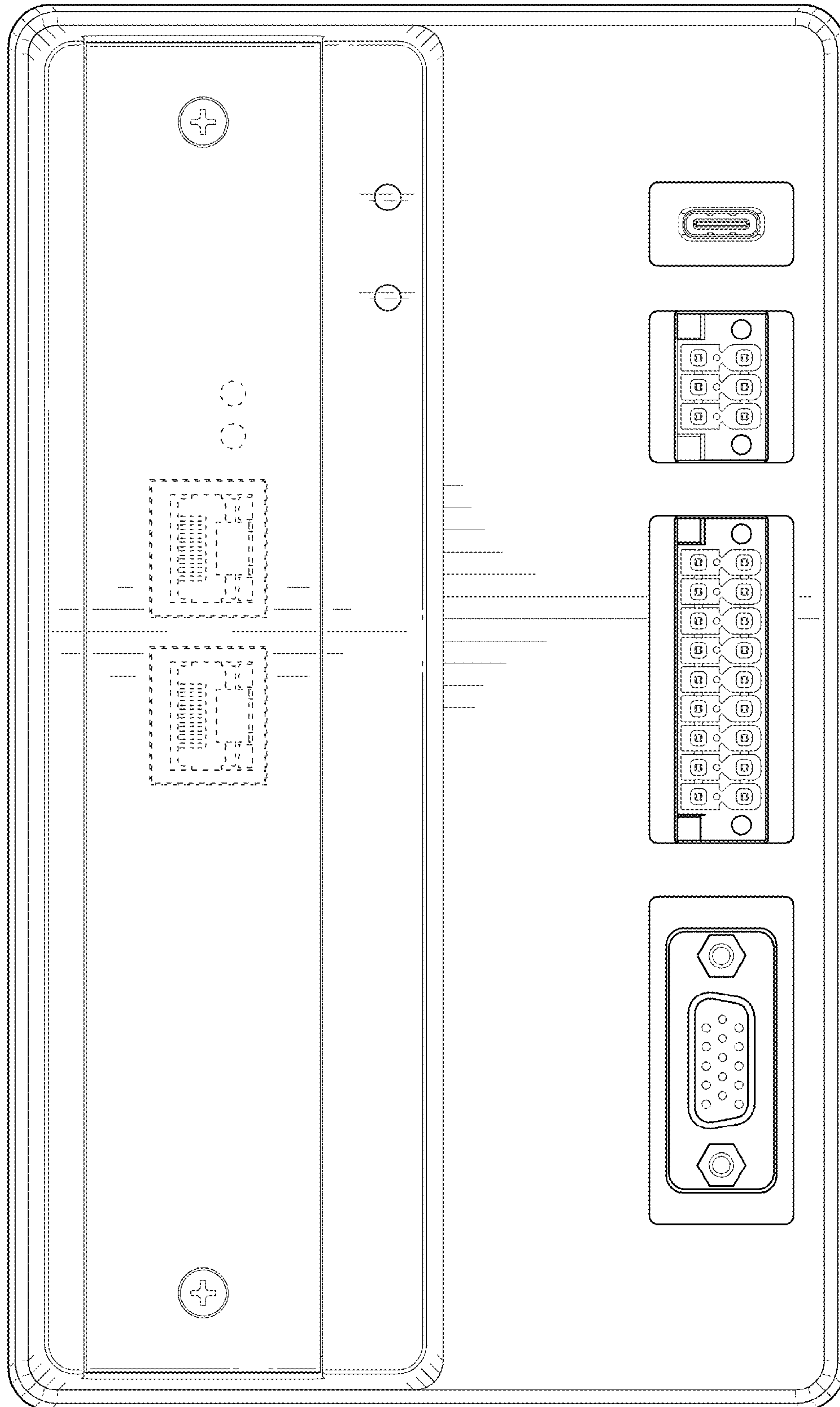


FIG. 2

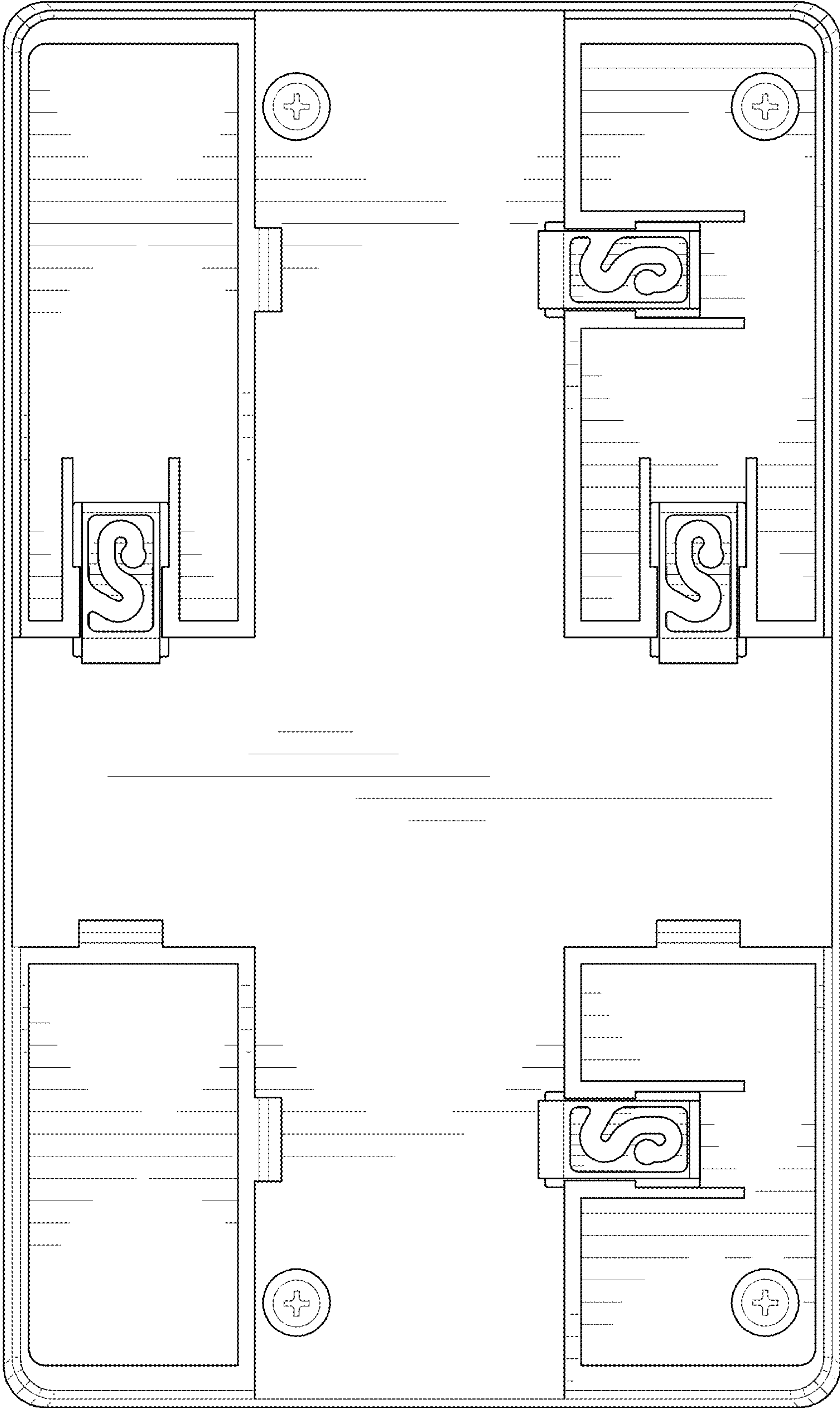


FIG. 3

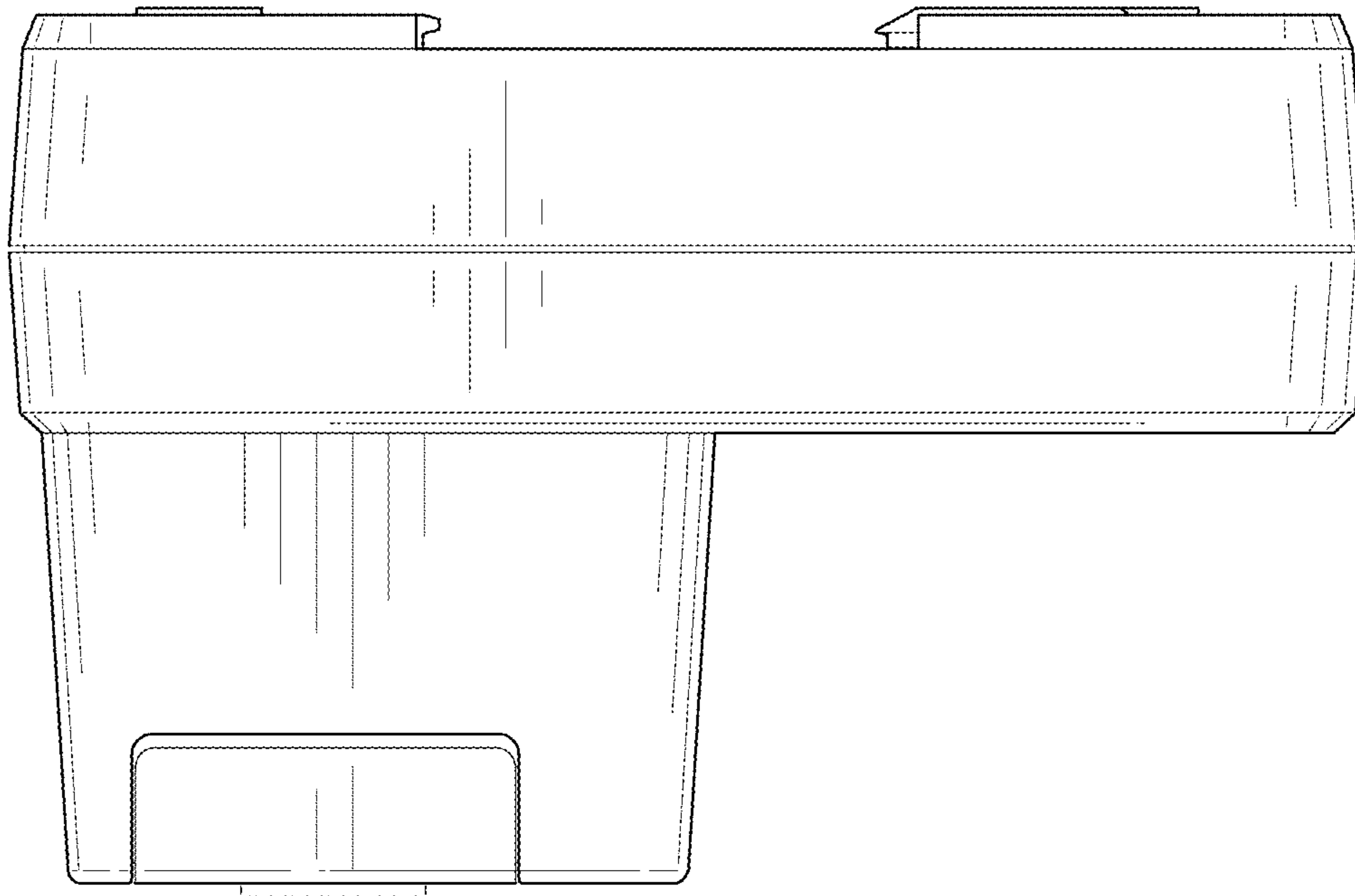


FIG. 5

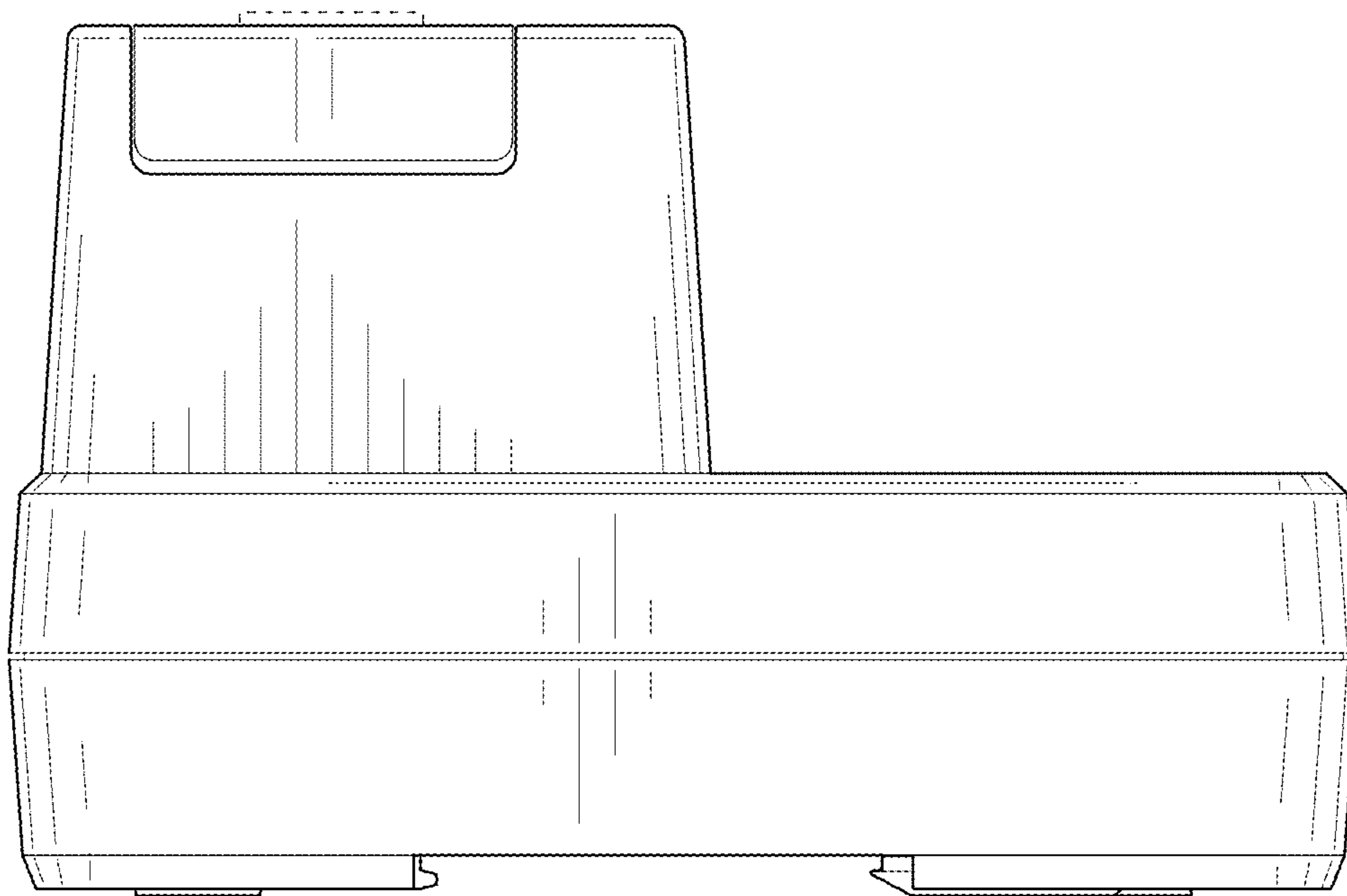


FIG. 4

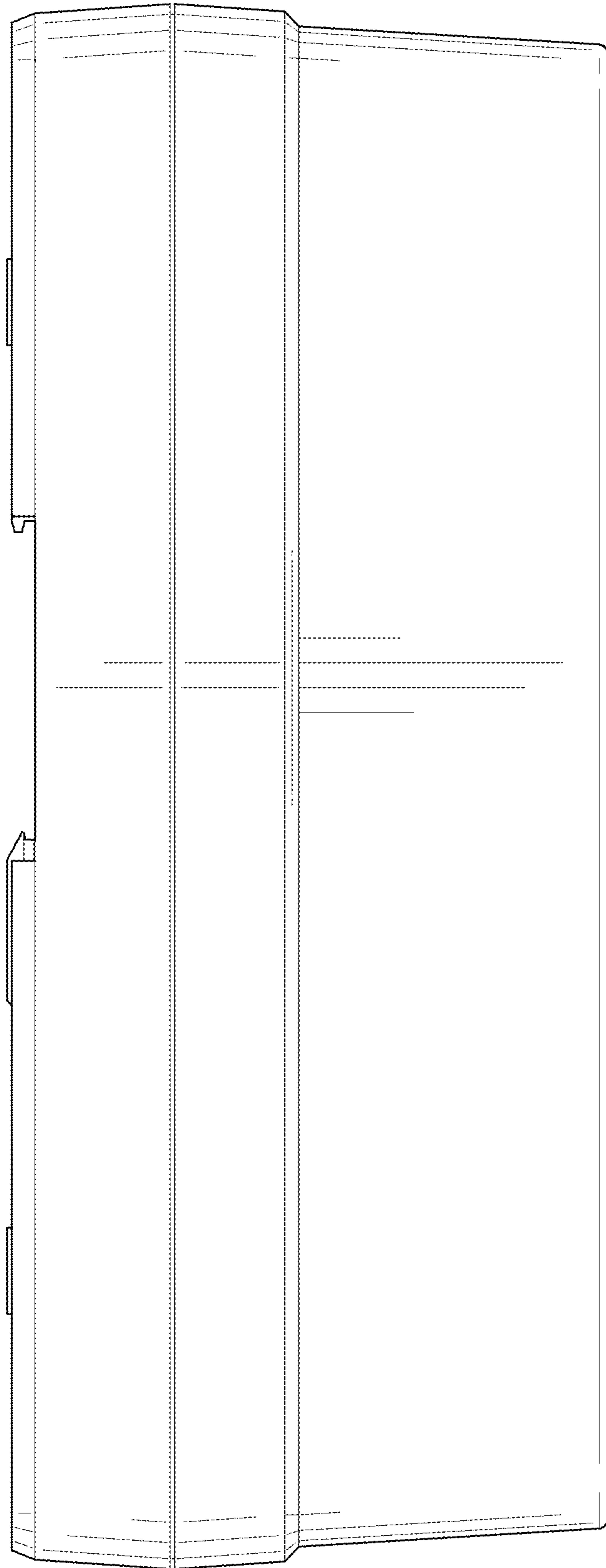


FIG. 6



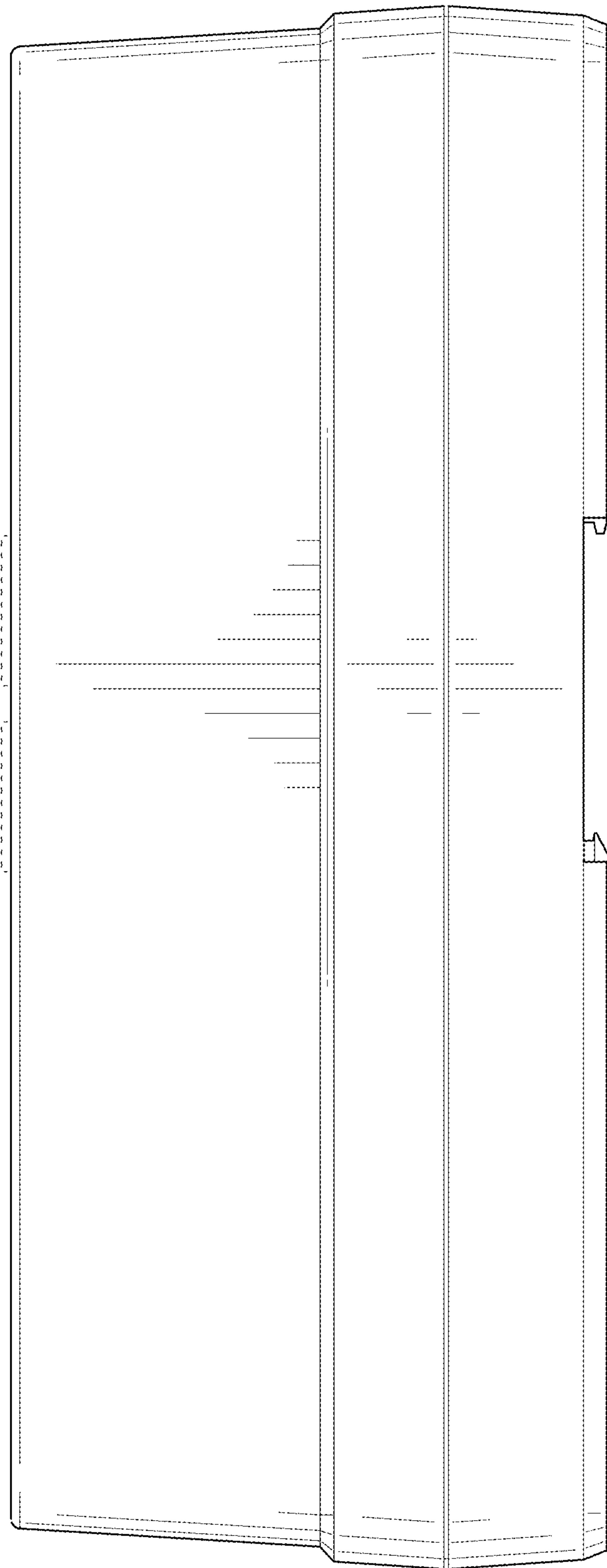


FIG. 7



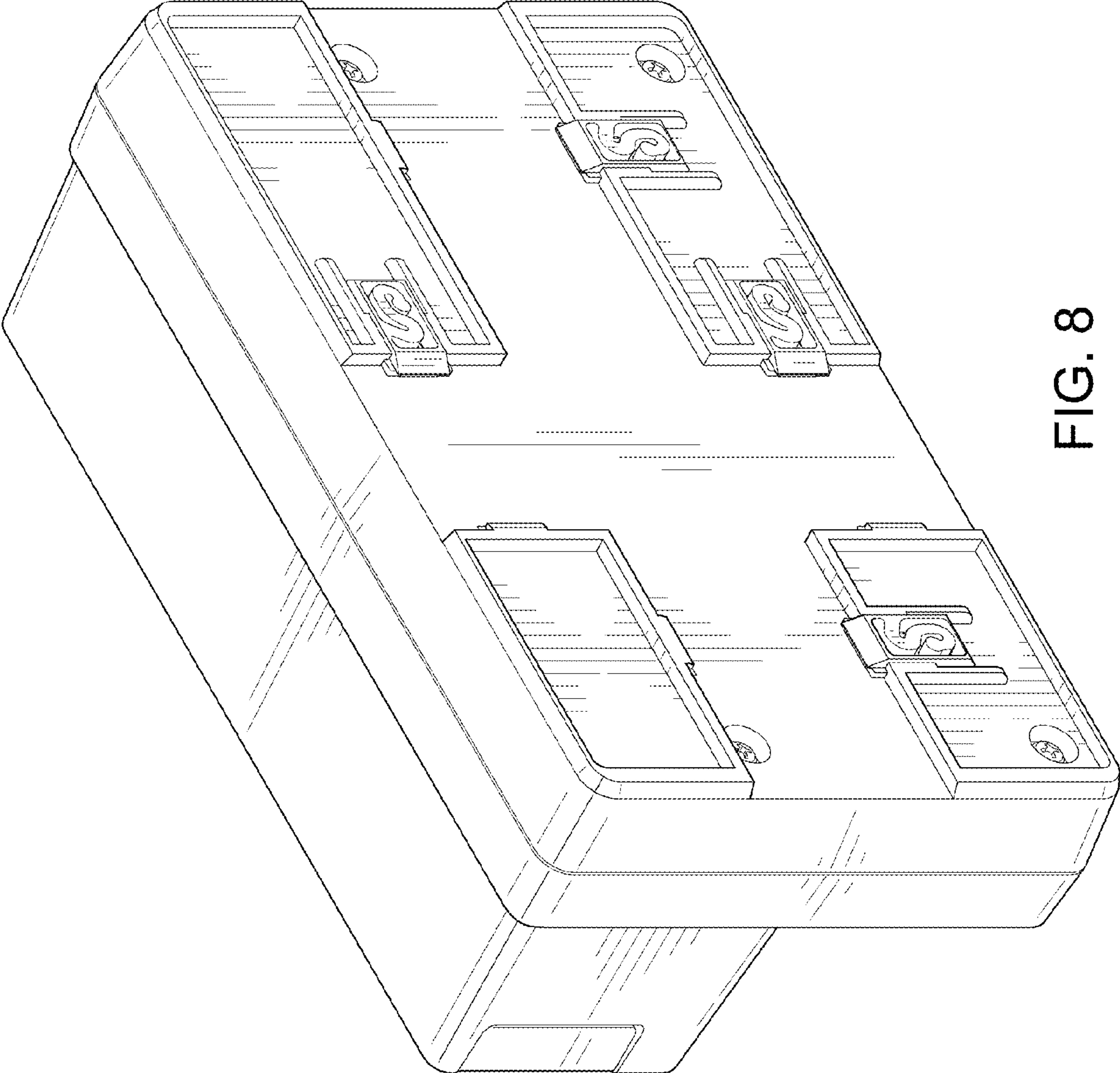


FIG. 8