



US00D947183S

(12) **United States Design Patent**
Wu

(10) **Patent No.:** **US D947,183 S**
(45) **Date of Patent:** **** Mar. 29, 2022**

- (54) **SMART WATCH**
- (71) Applicant: **SHENZHEN MONSTER INTELLIGENT INDUSTRIAL CO., LTD**, Shenzhen (CN)
- (72) Inventor: **Honghua Wu**, Zhoukou (CN)
- (73) Assignee: **SHENZHEN MONSTER INTELLIGENT INDUSTRIAL CO., LTD**, Shenzhen (CN)
- (**) Term: **15 Years**
- (21) Appl. No.: **29/785,736**
- (22) Filed: **May 27, 2021**
- (51) **LOC (13) Cl.** **14-02**
- (52) **U.S. Cl.**
USPC **D14/344; D10/32**
- (58) **Field of Classification Search**
USPC D10/30-39, 132; D11/3, 5, 12-13, D11/86-87, 93-94; D14/344, 440
CPC A44C 5/00; A44C 5/0053; A44C 5/02; A44C 5/022; A44C 5/025; A44C 5/10; A44C 5/14; A44C 5/147; A44C 5/2071; A61B 5/681; A61B 5/6831; G06F 1/163; G04G 17/00; G04G 21/02; G04G 21/08
See application file for complete search history.

D802,587 S *	11/2017	Lee	D14/344
D860,033 S *	9/2019	Quan	D11/3
D876,244 S *	2/2020	Park	D10/32
D887,406 S *	6/2020	Mao	D14/344
D900,810 S *	11/2020	Ke	D14/344
D901,493 S	11/2020	Gao	
D909,369 S *	2/2021	Wu	D14/344
D912,665 S *	3/2021	Zhang	D14/344
D915,398 S *	4/2021	Yu	D14/344
D927,484 S *	8/2021	Wu	D14/344
D928,148 S *	8/2021	Wu	D14/344
D929,989 S *	9/2021	Han	D14/344
D935,453 S *	11/2021	Gao	D14/344
D939,499 S *	12/2021	Lin	D14/344
D940,705 S *	1/2022	Lin	D14/344
D940,706 S *	1/2022	Wu	D14/344
2016/0261037 A1 *	9/2016	Chen	G06F 1/1698
2017/0181510 A1 *	6/2017	Novak	A44C 5/2071

* cited by examiner

Primary Examiner — Katherine Glennon

(57) **CLAIM**

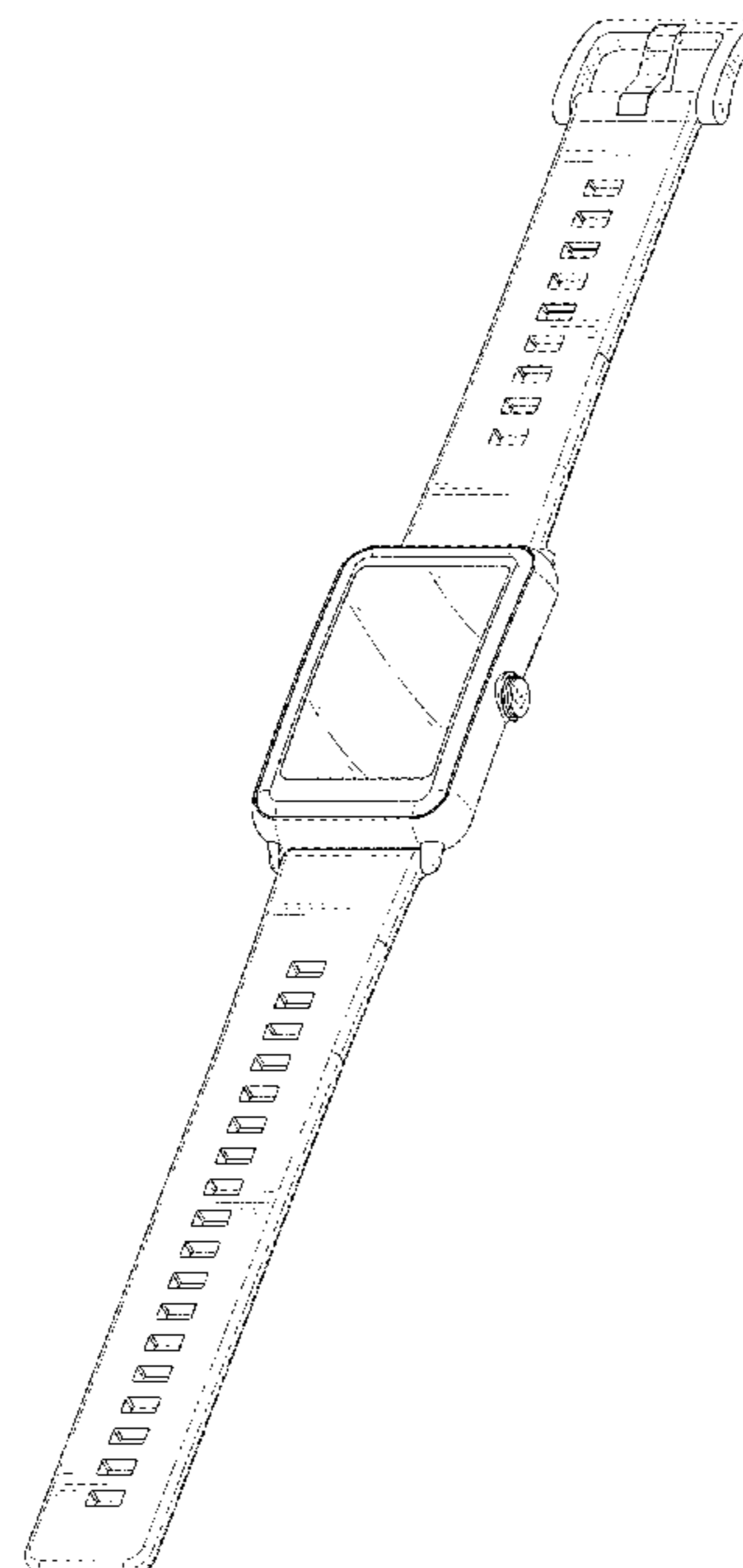
The ornamental design for a smart watch, as shown and described.

DESCRIPTION

FIG. 1 is a perspective view of a smart watch showing my new design;
 FIG. 2 is another perspective view thereof;
 FIG. 3 is a front elevational view thereof;
 FIG. 4 is a rear elevational view thereof;
 FIG. 5 is a left side elevational view thereof;
 FIG. 6 is a right side elevational view thereof;
 FIG. 7 is a top plan view thereof; and,
 FIG. 8 is a bottom plan view thereof.
 The broken lines in the drawings depict portions of the smart watch that form no part of the claimed design.

1 Claim, 8 Drawing Sheets

- (56) **References Cited**
U.S. PATENT DOCUMENTS
- D558,068 S * 12/2007 Sirmakes D10/39
- D628,498 S * 12/2010 Arellano D10/38
- D655,631 S * 3/2012 Ruefenacht D10/39
- D743,278 S * 11/2015 Solomon D10/38
- D784,345 S 4/2017 Kwon



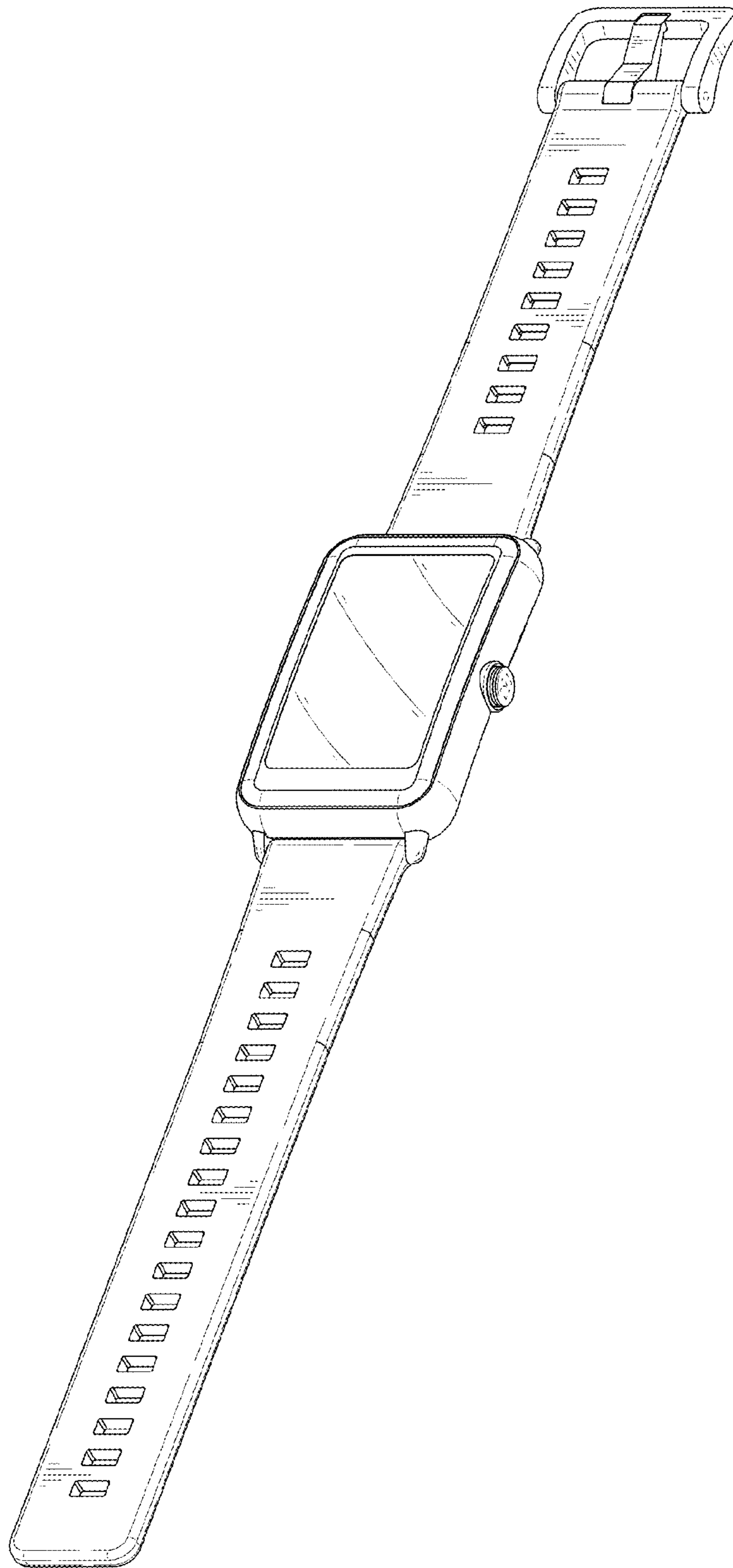


FIG. 1

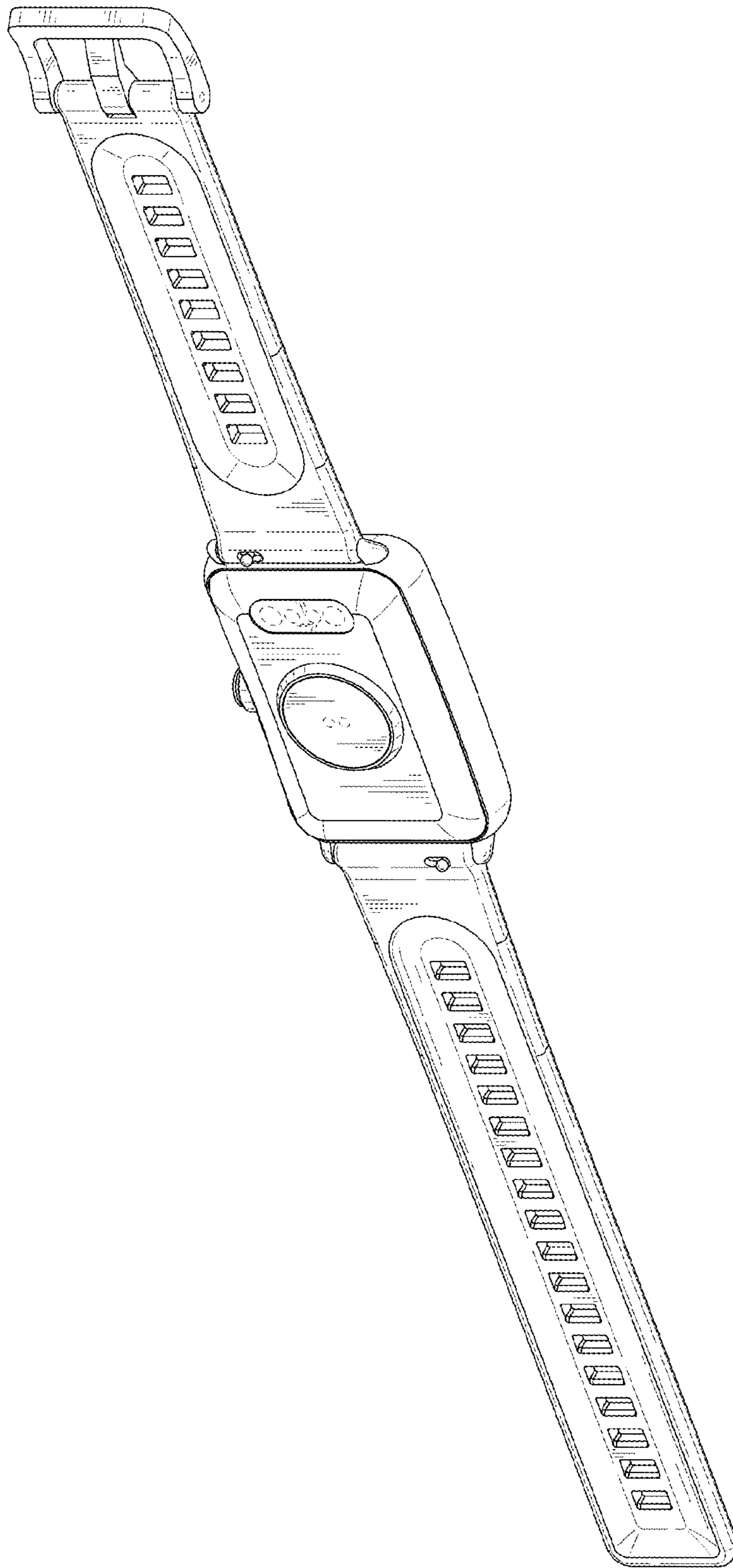


FIG. 2

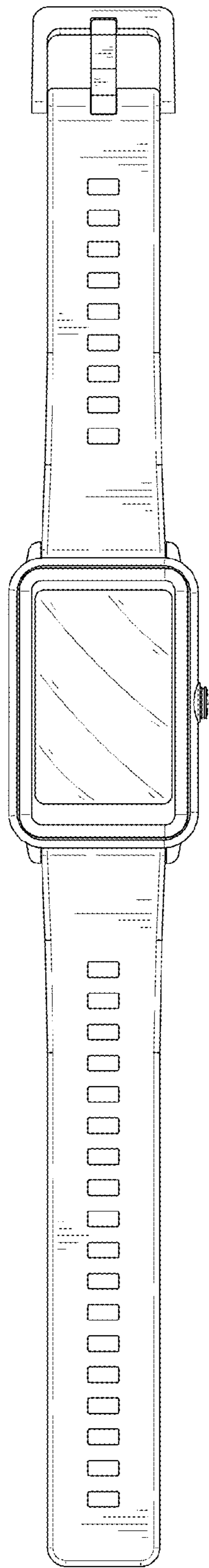


FIG. 3

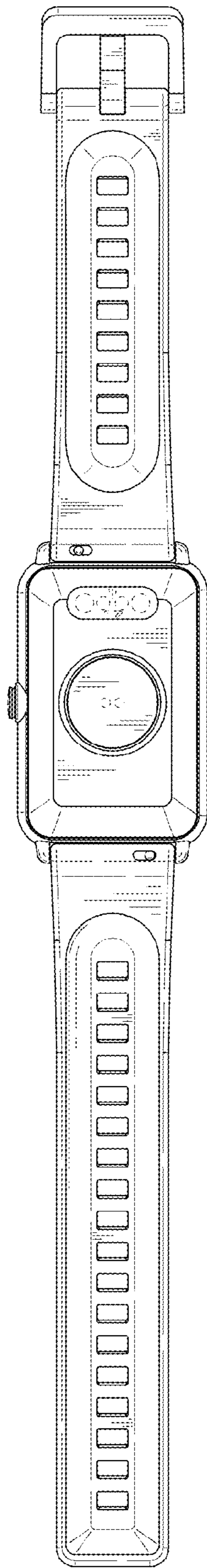


FIG. 4



FIG. 5

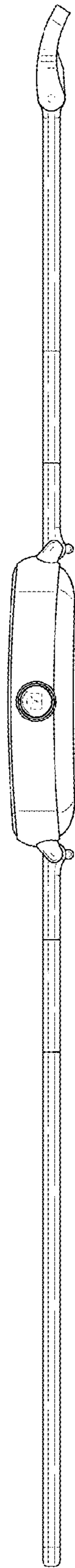


FIG. 6

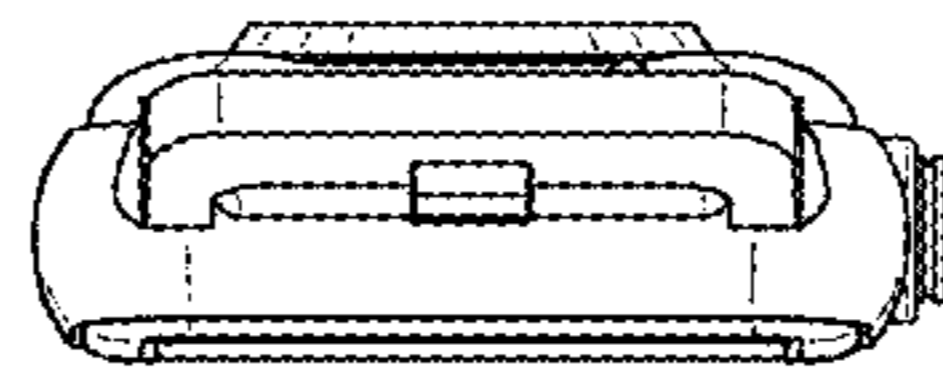


FIG. 7

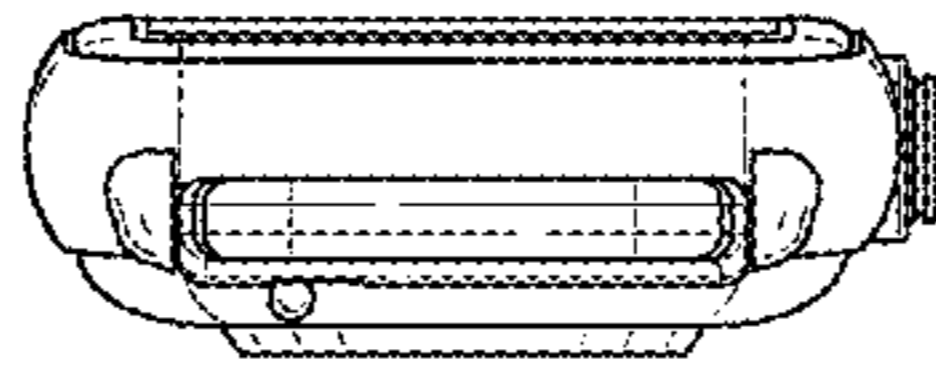


FIG. 8