



US00D947175S

(12) **United States Design Patent**
Chen

(10) **Patent No.:** **US D947,175 S**
(45) **Date of Patent:** **** Mar. 29, 2022**

- (54) **ALL-IN-ONE COMPUTER**
- (71) Applicant: **Lenovo (Beijing) Co., Ltd.**, Beijing (CN)
- (72) Inventor: **Xi Chen**, Beijing (CN)
- (73) Assignee: **Lenovo (Beijing) Co., Ltd.**, Beijing (CN)
- (**) Term: **15 Years**
- (21) Appl. No.: **29/788,523**
- (22) Filed: **Jun. 17, 2021**

Related U.S. Application Data

- (62) Division of application No. 29/673,602, filed on Dec. 17, 2018, now Pat. No. Des. 925,520.

(30) **Foreign Application Priority Data**

Jun. 29, 2018 (CN) 201830345314.4

- (51) **LOC (13) Cl.** **14-02**
- (52) **U.S. Cl.**
USPC **D14/336**; D14/374
- (58) **Field of Classification Search**
USPC D14/334-337, 371, 374-382, 126-129,
D14/314, 451-452, 447, 339-340, 316,
D14/307
CPC G06F 1/1601; G06F 1/1605; G06F 1/162;
G06F 1/1622; G06F 1/1637; G06F 1/166;
G06F 3/0412; F16M 11/10; F16M 11/16;
F16M 11/08; F16M 11/105; F16M
11/2028; F16M 2200/021; F16M
2200/00; G02F 1/1333
See application file for complete search history.

(56) **References Cited**

U.S. PATENT DOCUMENTS

- D317,760 S * 6/1991 Esslinger D14/451
- D339,796 S * 9/1993 Goodner D14/375

- D483,757 S * 12/2003 Olson D14/371
 - D485,540 S * 1/2004 Isshiki D14/129
 - D533,155 S * 12/2006 Nakata D14/126
 - D567,237 S * 4/2008 Kim D14/314
- (Continued)

FOREIGN PATENT DOCUMENTS

- DE 102019107714 A1 * 10/2019 G06F 3/02
 - WO WO-2008143235 A1 * 11/2008 H05K 1/147
- (Continued)

OTHER PUBLICATIONS

Trigem Computer Inc., KR Design No. 300524811, published at Orbit, publication date Apr. 2, 2009. Site visited Nov. 24, 2020. Available from Internet. (Year: 2009).*

(Continued)

Primary Examiner — Kathleen L Jones
(74) *Attorney, Agent, or Firm* — Oppedahl Patent Law Firm LLC

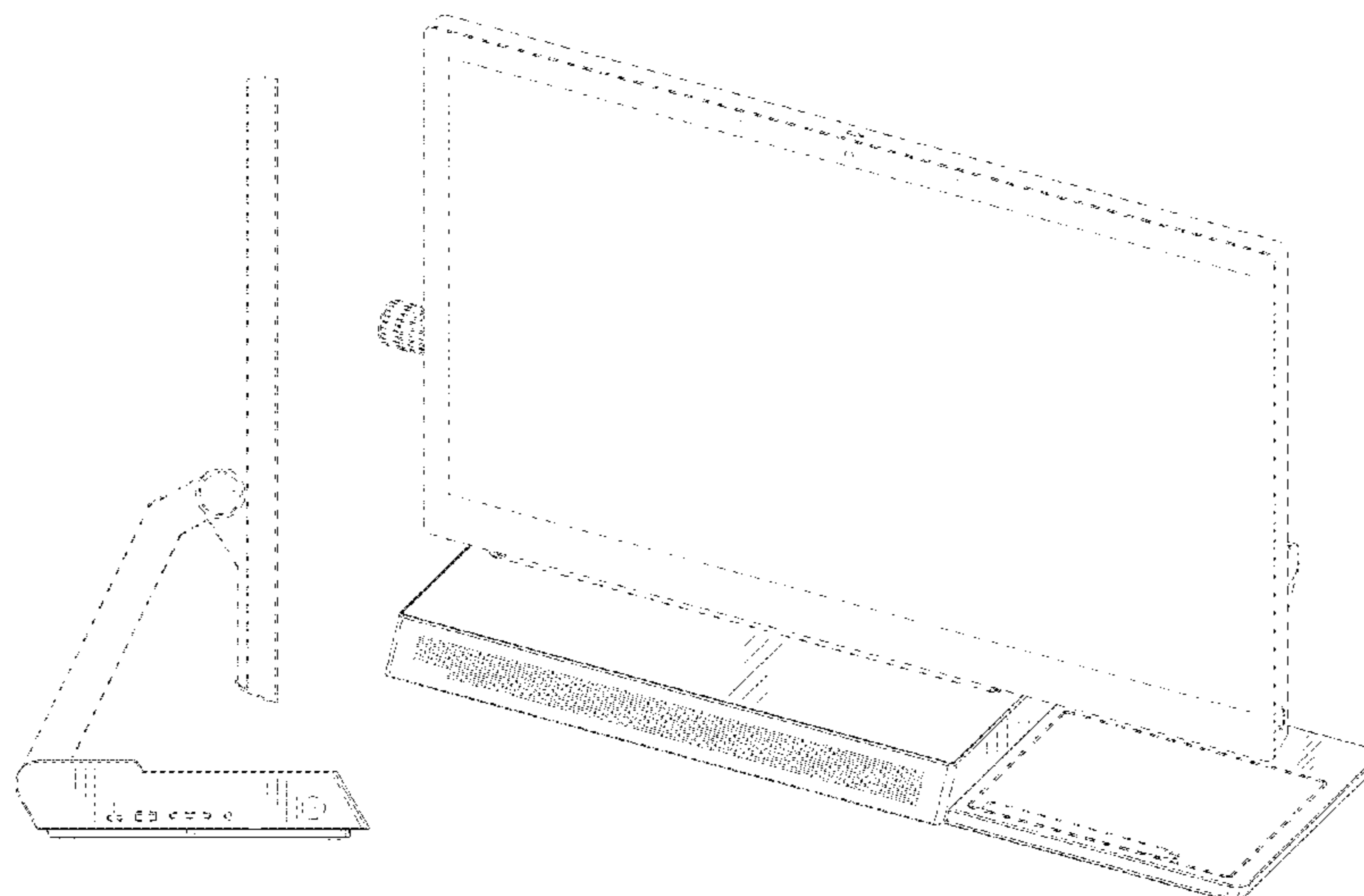
(57) **CLAIM**

The ornamental design for an all-in-one computer, as shown and described.

DESCRIPTION

FIG. 1 is a front view of all-in-one computer showing the new design;
FIG. 2 is a back view thereof;
FIG. 3 is a left side view thereof;
FIG. 4 is a right side view thereof;
FIG. 5 is a top view thereof;
FIG. 6 is a bottom view thereof; and,
FIG. 7 is a perspective view thereof.
The broken lines shown in the drawings illustrate portions of the all-in-one computer that form no part of the claimed design.

1 Claim, 7 Drawing Sheets



(56)

References Cited

U.S. PATENT DOCUMENTS

D569,815 S * 5/2008 Otani D14/126
 D578,087 S * 10/2008 Yokota D14/126
 D589,964 S * 4/2009 Heggland D14/434
 D590,785 S * 4/2009 Yokota D14/126
 D599,756 S * 9/2009 Yokota D14/126
 D599,792 S * 9/2009 Lin D14/331
 D631,042 S * 1/2011 Chen D14/337
 D657,789 S * 4/2012 Lee D14/374
 D661,672 S * 6/2012 Kim D14/126
 D683,709 S * 6/2013 Choi D14/126
 D714,794 S * 10/2014 Quijano D14/447
 D732,032 S * 6/2015 Lee D14/374
 D807,424 S * 1/2018 Chang D18/4.4
 D872,086 S * 1/2020 Zhong D14/383
 D897,338 S * 9/2020 Escolin D14/336
 D902,296 S * 11/2020 Cathala D18/4.5
 D918,195 S * 5/2021 Dong D14/307
 D918,196 S * 5/2021 Ye D14/307
 10,996,714 B1 * 5/2021 Godfrey G06F 1/1607
 D921,102 S * 6/2021 Iwata D18/4.5
 D923,594 S * 6/2021 Kang D14/126
 D924,867 S * 7/2021 Chen D14/336
 D925,520 S * 7/2021 Chen D14/336
 D933,122 S * 10/2021 Chiu D18/4.5
 D934,857 S * 11/2021 Choi D14/336
 2004/0057197 A1 * 3/2004 Hill G06F 1/1654
 361/679.06
 2006/0256512 A1 * 11/2006 Esther Kang G06F 1/162
 361/679.05

2016/0070964 A1 * 3/2016 Conrad H04N 5/232
 348/150
 2020/0133368 A1 * 4/2020 Volek G06F 1/1632
 2020/0409433 A1 * 12/2020 Strobridge G06F 1/1615

FOREIGN PATENT DOCUMENTS

WO WO-2008143238 A1 * 11/2008 G06F 1/1601
 WO WO-2009105381 A2 * 8/2009 G06F 1/1601
 WO WO-2013015771 A1 * 1/2013 F16M 11/2021

OTHER PUBLICATIONS

Lee et al., Samsung Electronics Co Ltd., KR Design No. 300757664, published at Orbit, publication date Aug. 24, 2016. Site visited Nov. 24, 2020. Available from Internet. (Year: 2016).*

Hanson, Matt, Lenovo A940 all-in-one computer review, posted at TechRadar, posting date Sep. 18, 2019. Site visited Nov. 24, 2020. URL: <<https://www.techradar.com/in/reviews/lenovo-yoga-a940>> (Year: 2019).*

Hollister, Sean, The Best All-In-One PC, posted at The Verge, posting date Dec. 20, 2012. Site visited Nov. 24, 2020. URL: <<https://www.theverge.com/2012/12/20/3787750/best-all-in-one-pc-desktop-windows-8-touchscreen>> (Year: 2012).*

De Looter, Christian, The best all-in-one PCs you can buy, posted at Business Insider, posting date Jan. 29, 2018. Site visited Nov. 24, 2020. URL: <<https://www.businessinsider.com/best-all-in-one-pc>> (Year: 2018).*

* cited by examiner

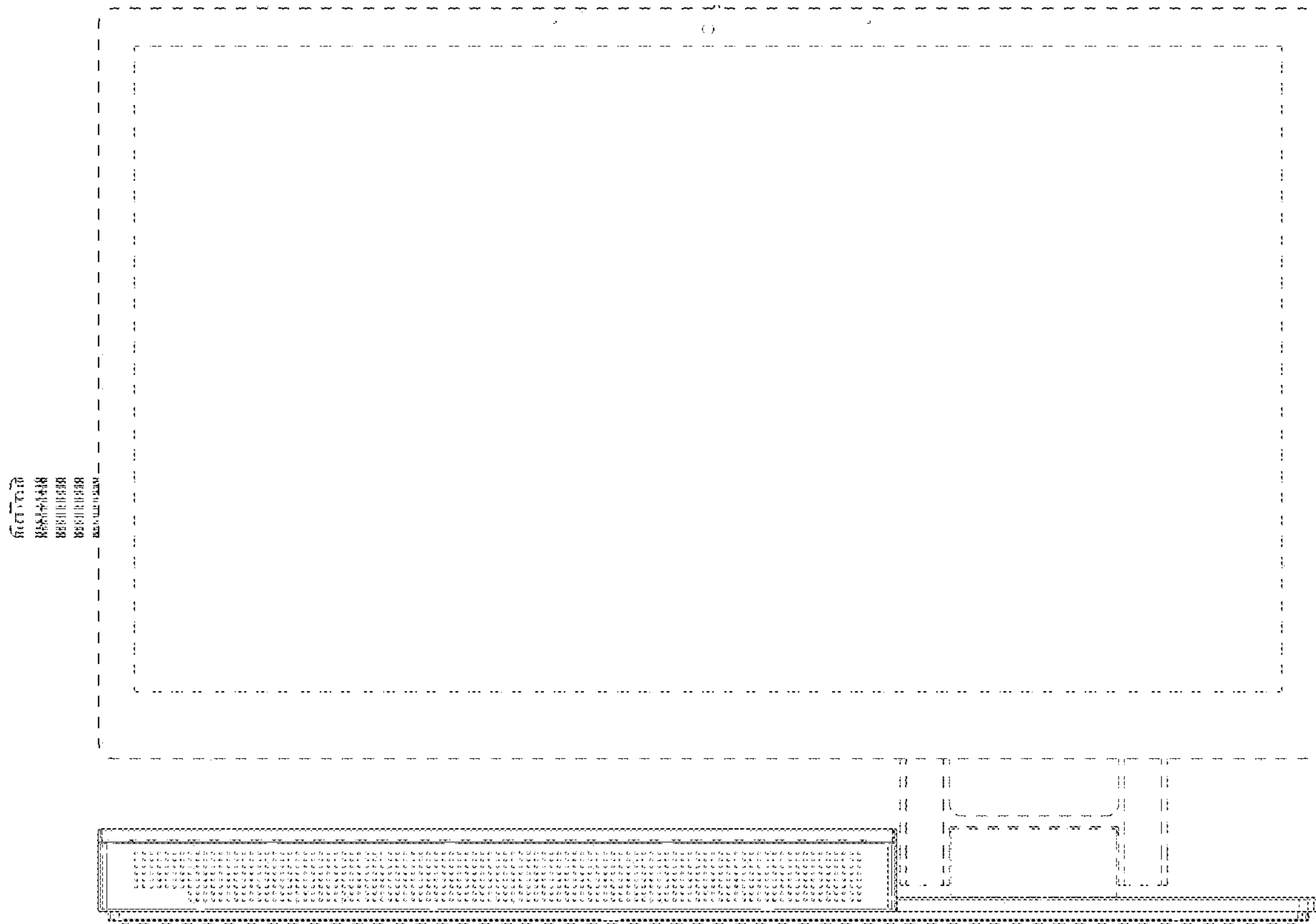


FIG. 1

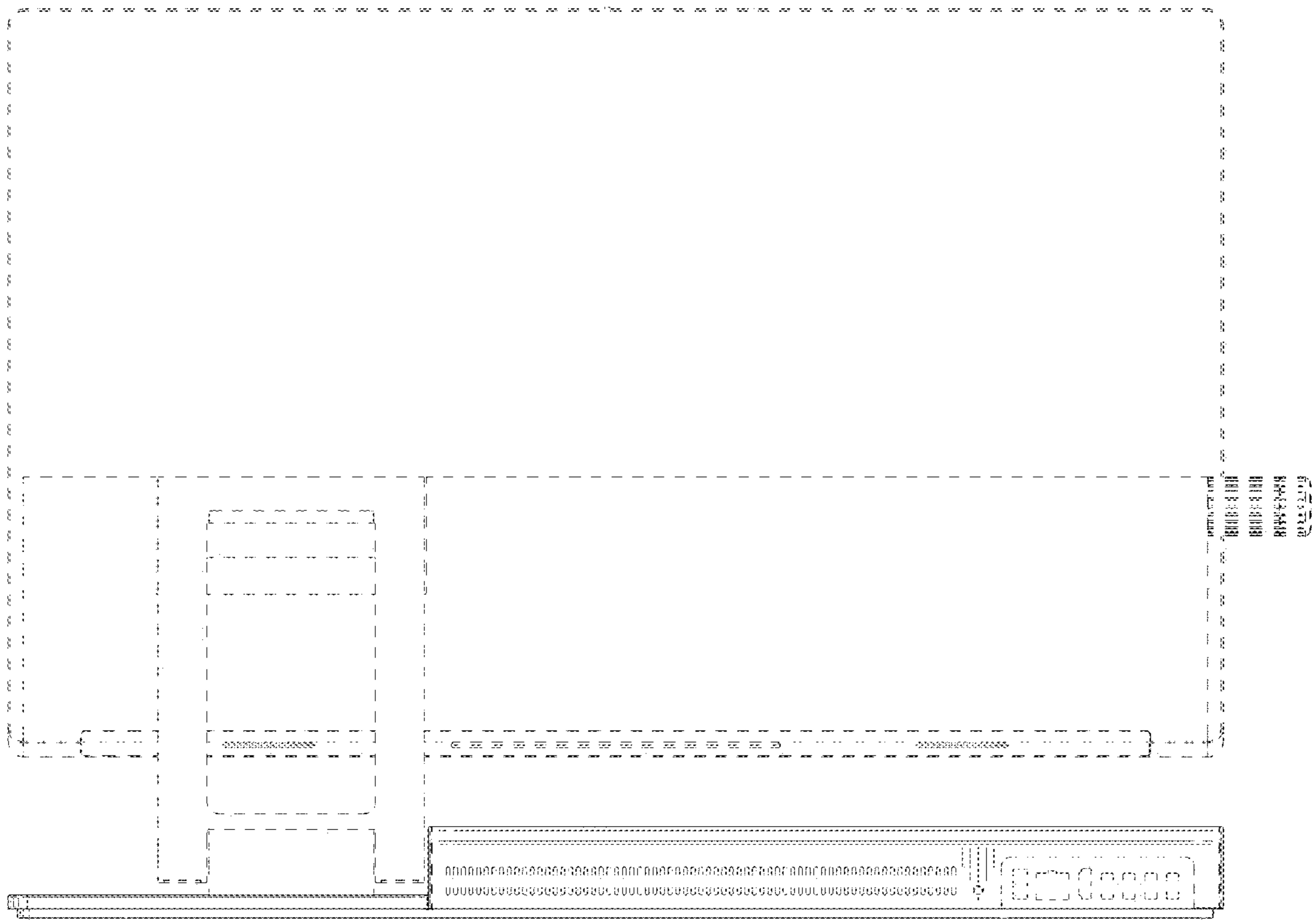


FIG. 2

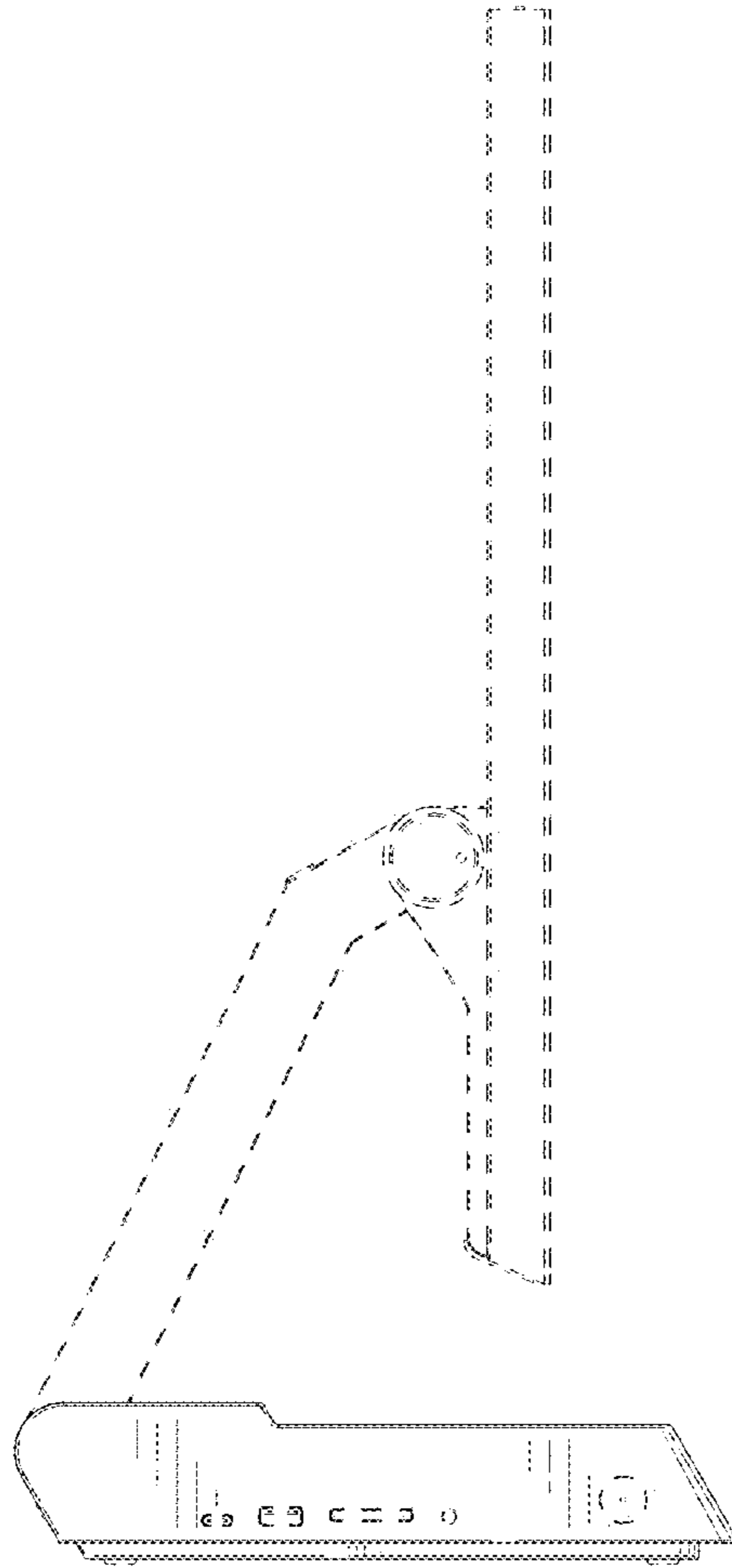


FIG. 3

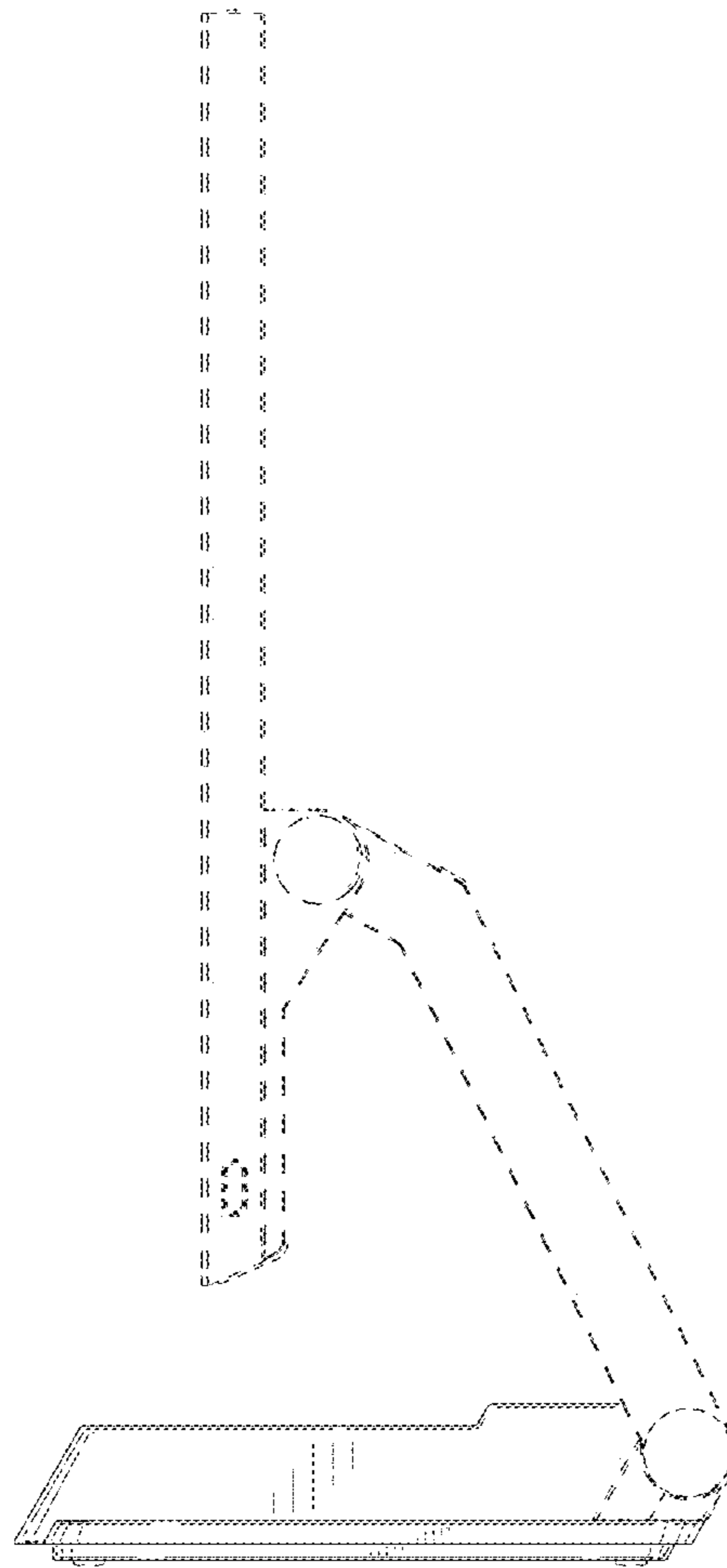


FIG. 4

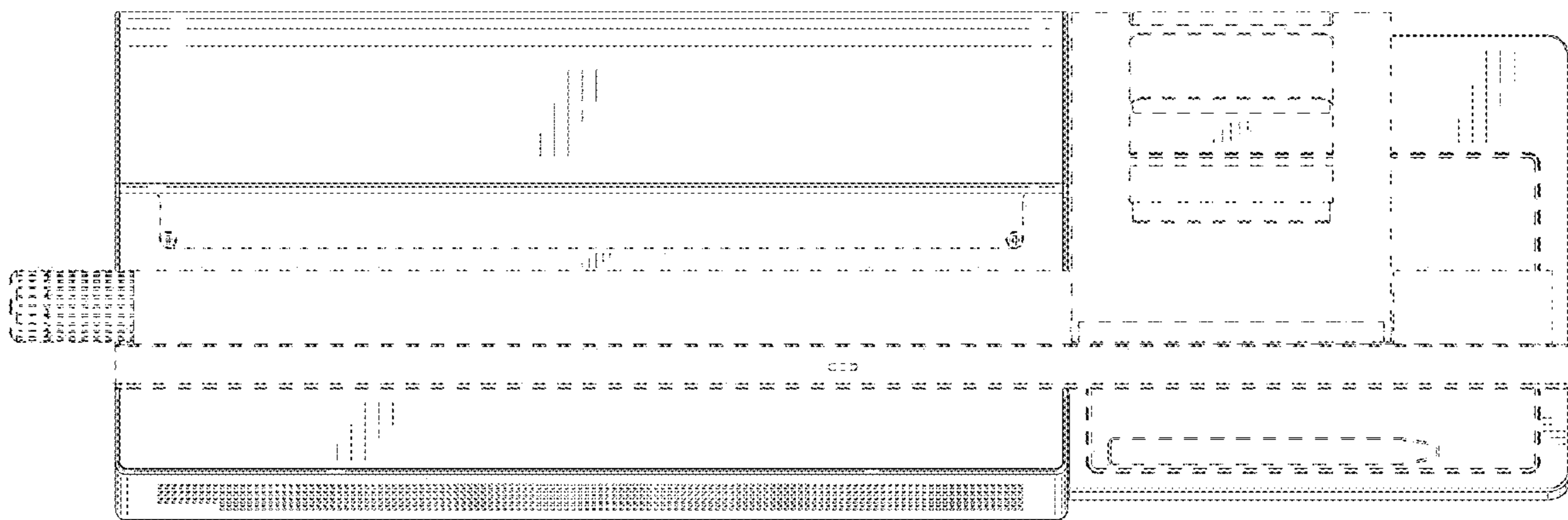


FIG. 5

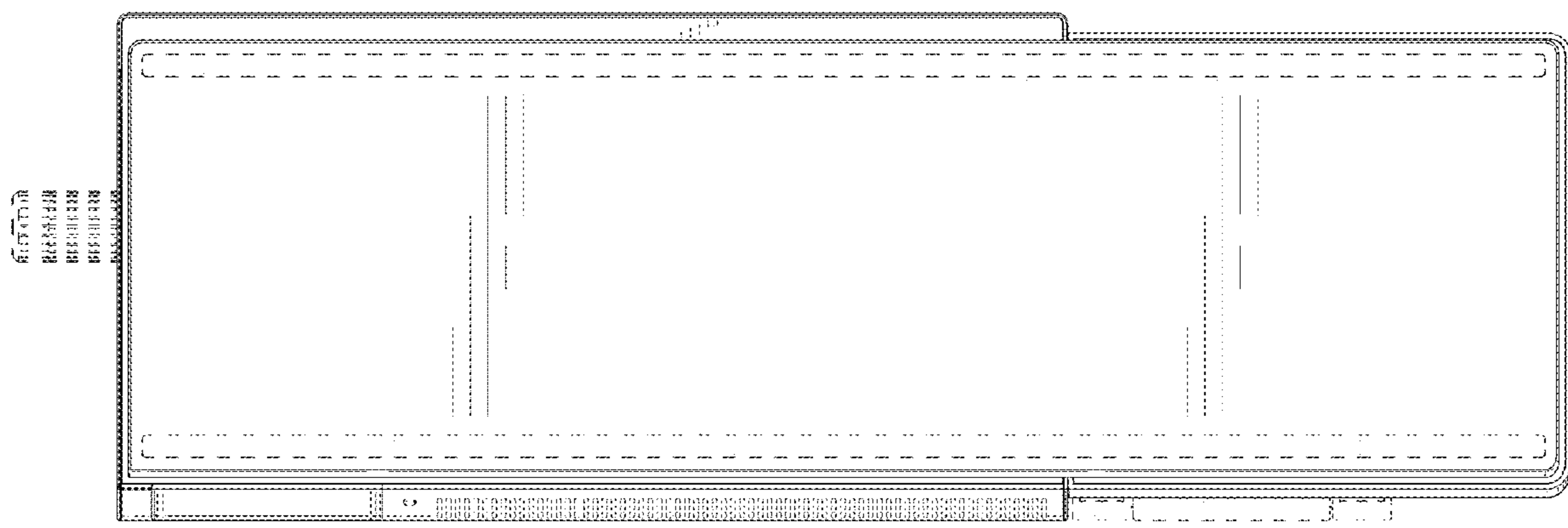


FIG. 6

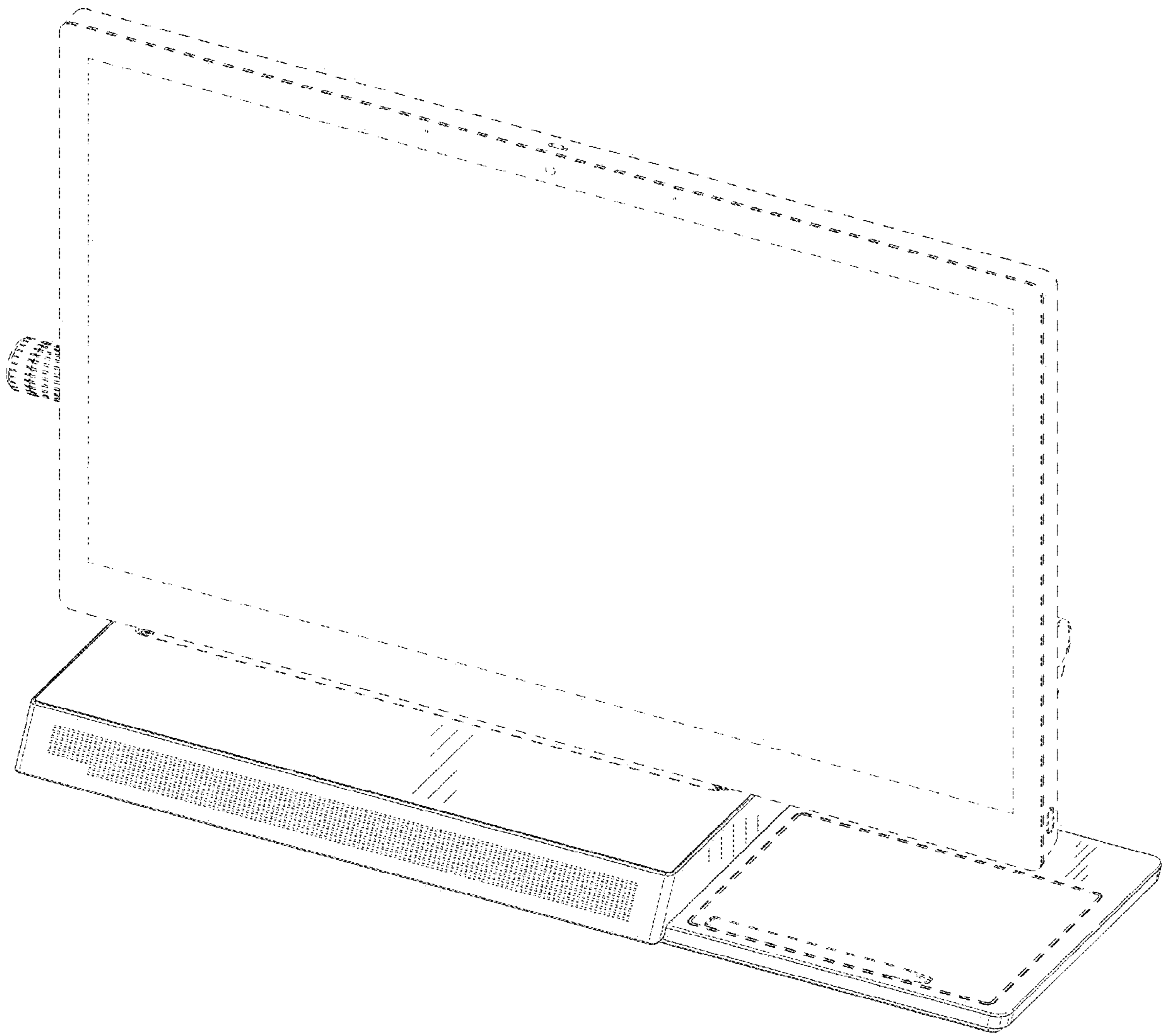


FIG. 7