



US00D947174S

(12) **United States Design Patent** (10) **Patent No.:** **US D947,174 S**
Chu et al. (45) **Date of Patent:** **** Mar. 29, 2022**

(54) **ALL-IN-ONE COMPUTER**

- (71) Applicant: **Hewlett-Packard Development Company, L.P.**, Spring, TX (US)
- (72) Inventors: **Henry Ken Chu**, San Jose, CA (US); **Glenn A. Wong**, Palo Alto, CA (US)
- (73) Assignee: **Hewlett-Packard Development Company, L.P.**, Spring, TX (US)
- (**) Term: **15 Years**
- (21) Appl. No.: **29/707,827**
- (22) Filed: **Oct. 1, 2019**
- (51) **LOC (13) Cl.** **14-02**
- (52) **U.S. Cl.**
USPC **D14/336**
- (58) **Field of Classification Search**
USPC D14/336, 337, 373, 374, 375, 376, 377, D14/125, 128, 129, 126, 371, 372, 341
CPC G06F 1/1601; G06F 1/1605; G06F 1/162
See application file for complete search history.

(56) **References Cited**

U.S. PATENT DOCUMENTS

D558,736 S *	1/2008	Kita	D14/126
D594,005 S *	6/2009	Shi	D14/341
D607,427 S *	1/2010	Ho	D14/138 AD
D626,528 S *	11/2010	Park	D14/138 AB
D630,179 S *	1/2011	Park	D14/138 AA
D631,037 S *	1/2011	Park	D14/223
D648,292 S *	11/2011	Park	D14/125
D759,616 S *	6/2016	Han	D14/126
D761,748 S *	7/2016	Han	D14/126
D762,603 S *	8/2016	Han	D14/126
D767,569 S *	9/2016	Yeom	D14/374
D780,736 S *	3/2017	Chen	D14/248
D920,325 S *	5/2021	Andresen	D14/336

FOREIGN PATENT DOCUMENTS

CN	302630579	*	11/2013
CN	305575125	*	1/2020
EM	008520092-0005	*	5/2021
GB	8211400000-1000	*	11/2020

OTHER PUBLICATIONS

Amazon. Link: https://www.amazon.com/HP-i7-10700T-Processor-Touchscreen-27-d0072/dp/B08BX9CJC2/ref=sr_1_3?dchild=1&keywords=HP++Pavilion+27%22&qid=1626972020&sr=8-3. Jul. 19, 2020. HP 27 Pavilion All-in-One PC. (Year: 2020).*

YouTube. Link: <https://www.youtube.com/watch?v=SV003W4WUCo>. Oct. 1, 2020. Unboxing HP All In One Desktop. (Year: 2020).*

Amazon. Link: https://www.amazon.com/HP-Desktop-Display-i7-10700-Wireless/dp/B0987ZPHZG/ref=sr_1_1?dchild=1&keywords=B0987ZPHZG&qid=1626972512&s=electronics&sr=1-1. Jun. 29, 2021. HP Envy 31.5" All-in-One Desktop PC. (Year: 2021).*

* cited by examiner

Primary Examiner — Lauren D McVey

(74) *Attorney, Agent, or Firm* — Austin Rapp

(57) **CLAIM**

The ornamental design for an all-in-one computer, as shown and described.

DESCRIPTION

FIG. 1 is a front, right, top perspective view of an all-in-one computer showing our new design;

FIG. 2 is a front, left, top perspective view thereof;

FIG. 3 is a front, right, bottom perspective view thereof;

FIG. 4 is a front elevation view thereof;

FIG. 5 is a rear elevation view thereof;

FIG. 6 is a top plan view thereof;

FIG. 7 is a bottom plan view thereof;

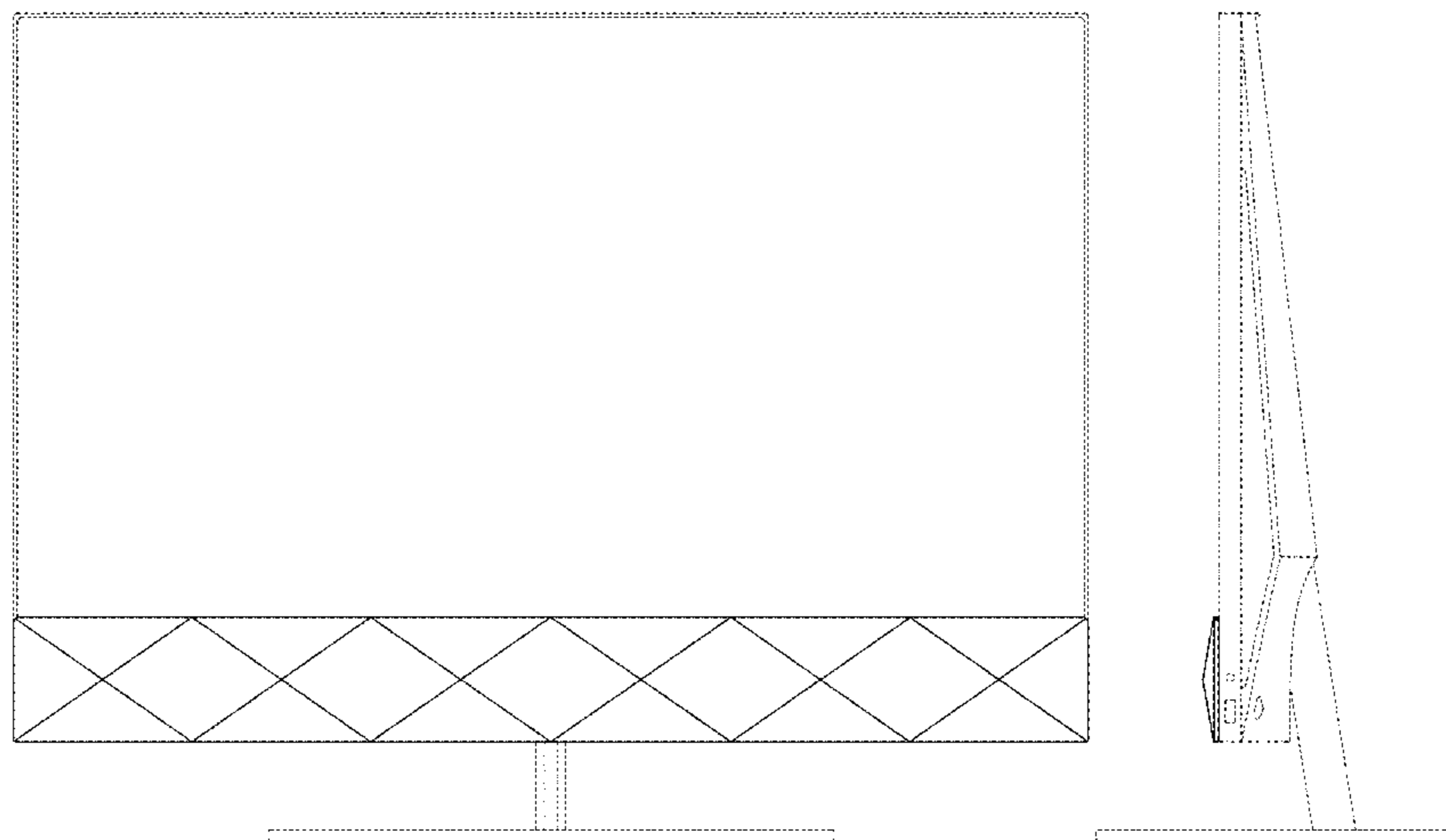
FIG. 8 is a cross-section view thereof taken along line 8-8 of FIG. 1;

FIG. 9 is a left-side elevation view thereof; and,

FIG. 10 is a right-side elevation view thereof.

The broken lines are directed to environment and form no part of the claimed design.

1 Claim, 8 Drawing Sheets



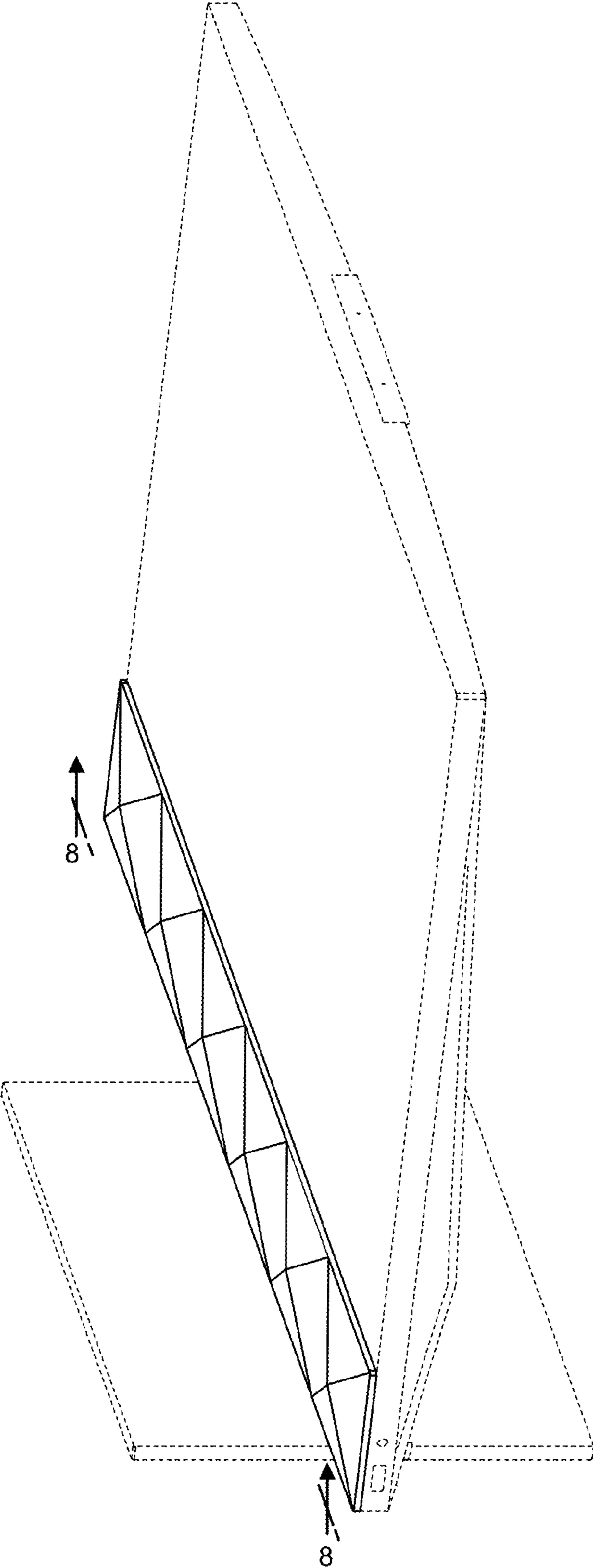


FIG. 1

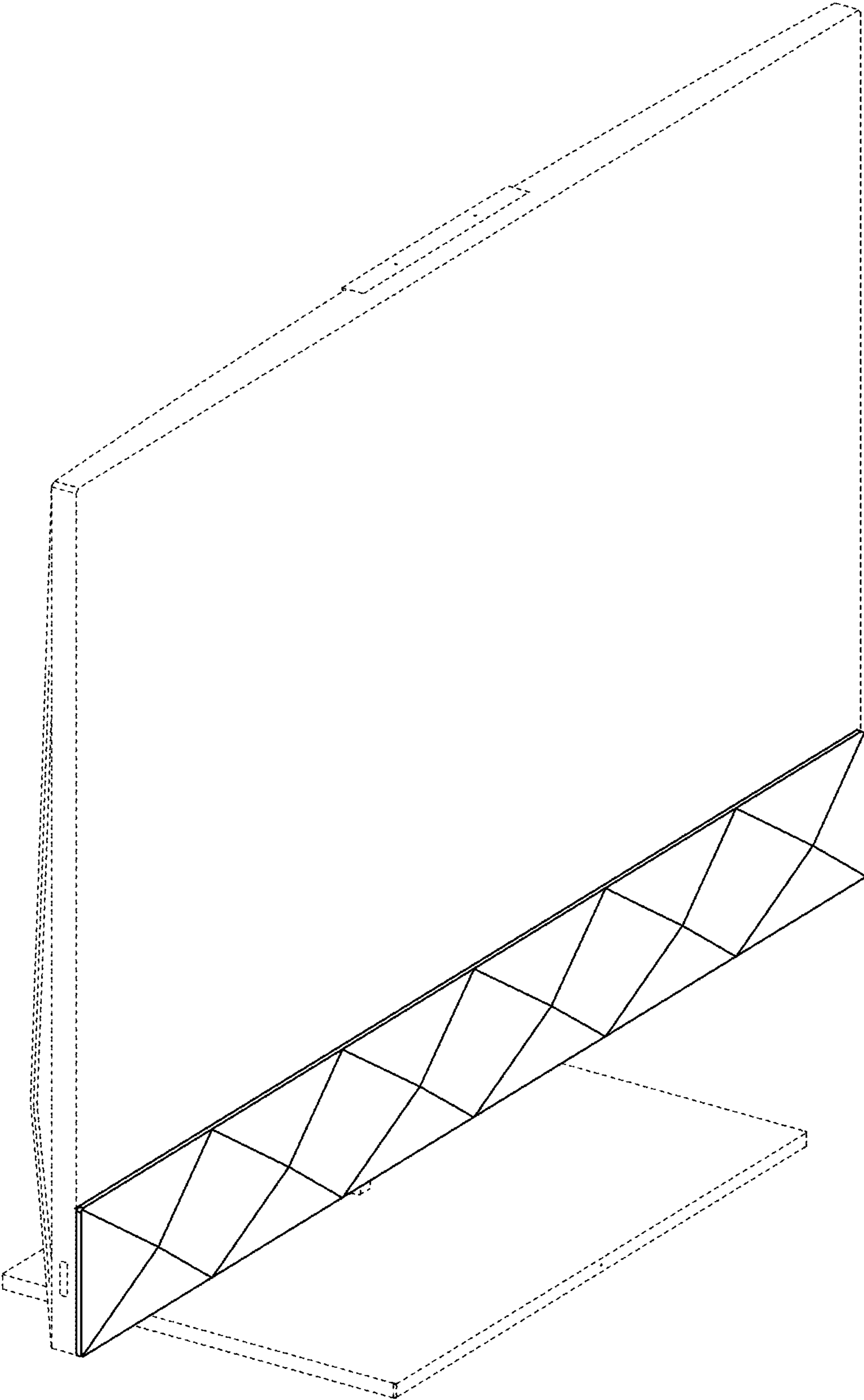


FIG. 2

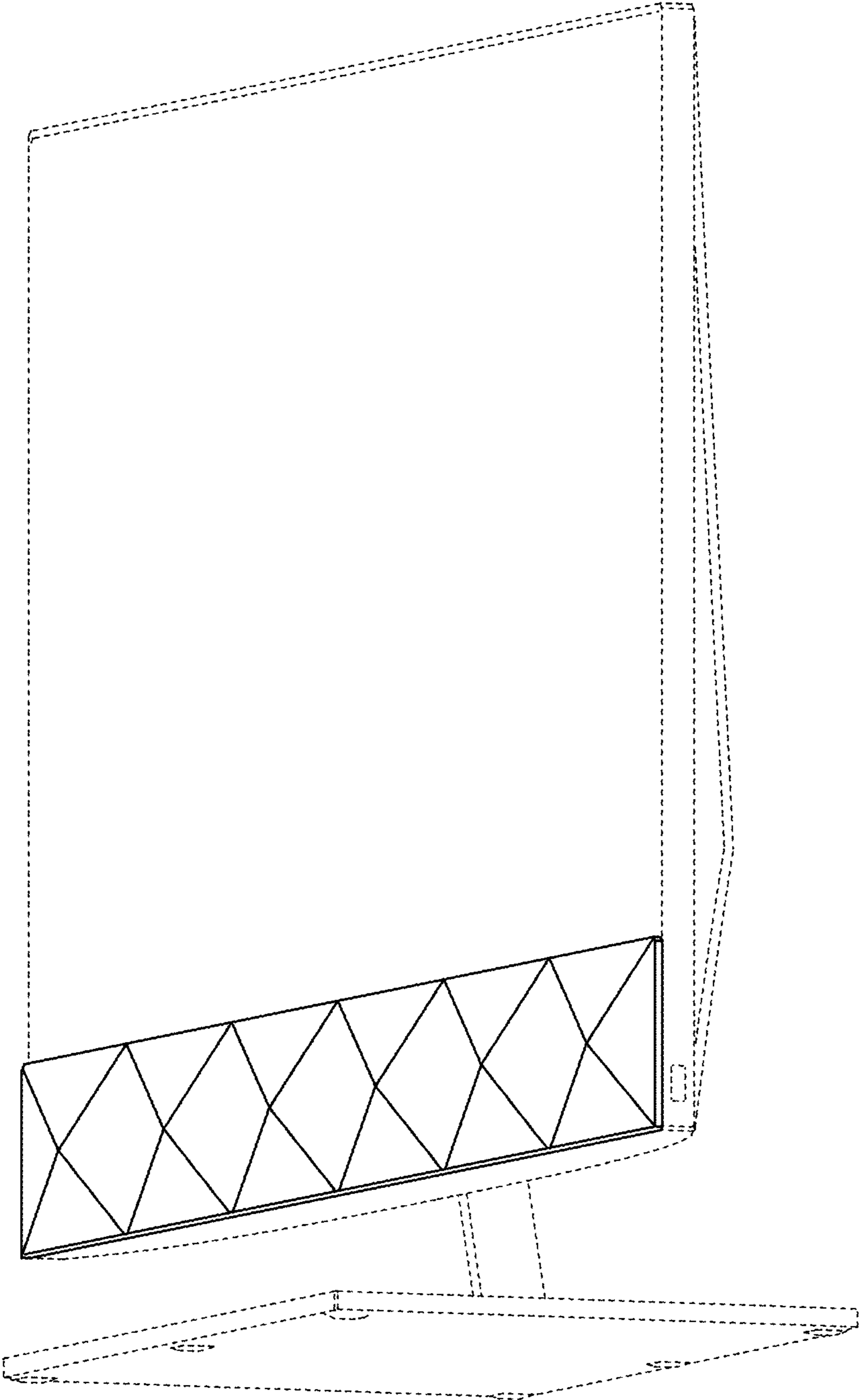


FIG. 3

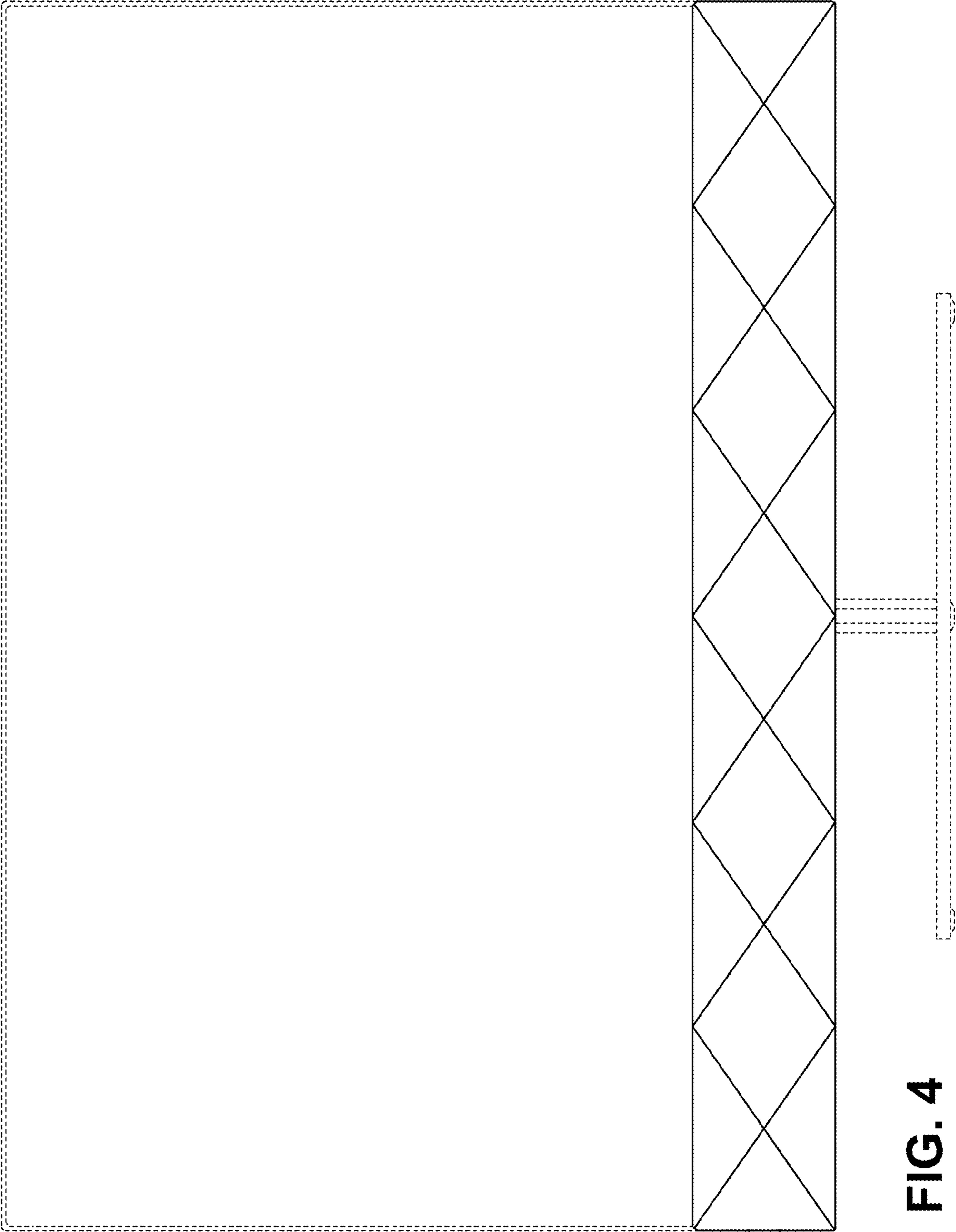


FIG. 4

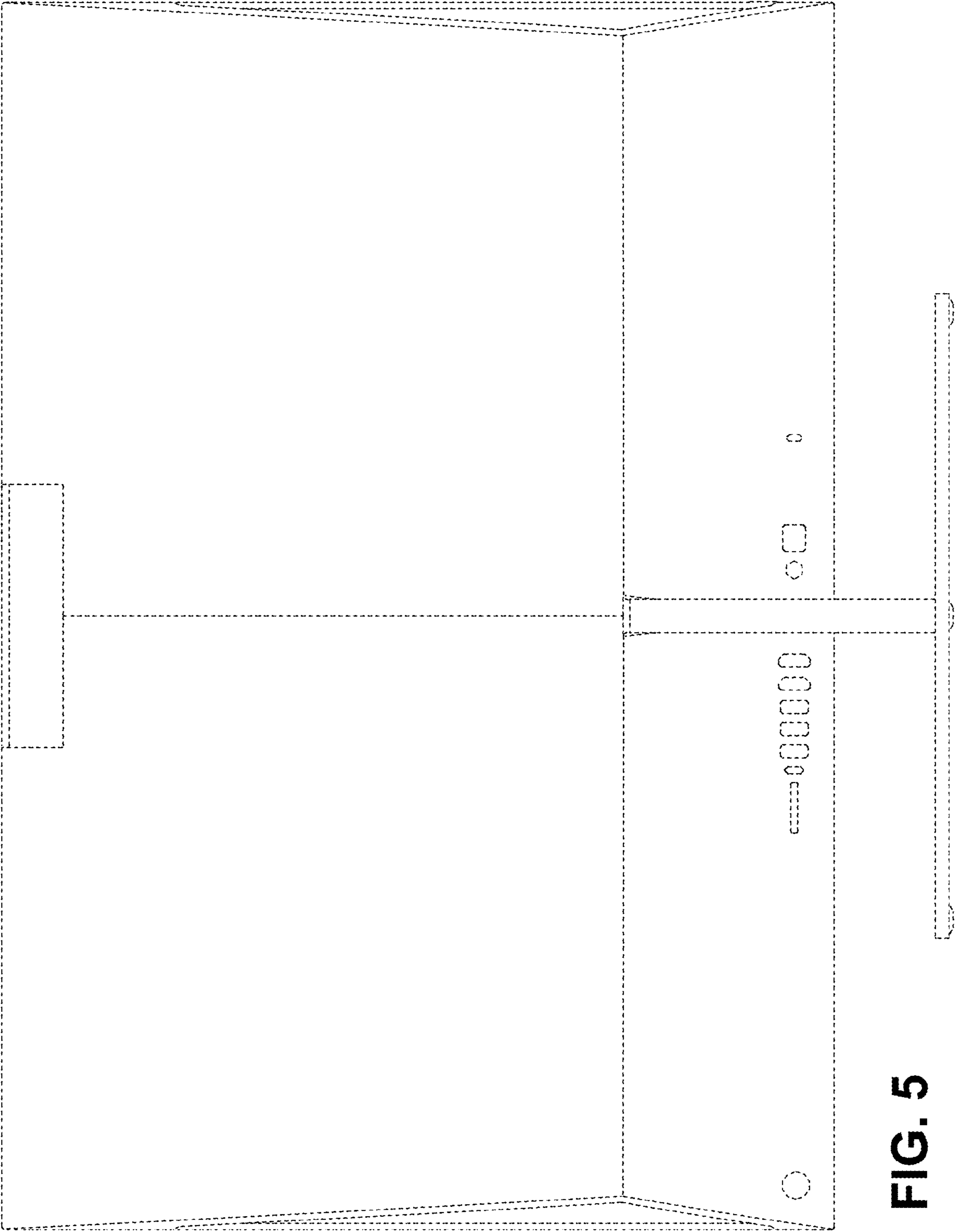


FIG. 5

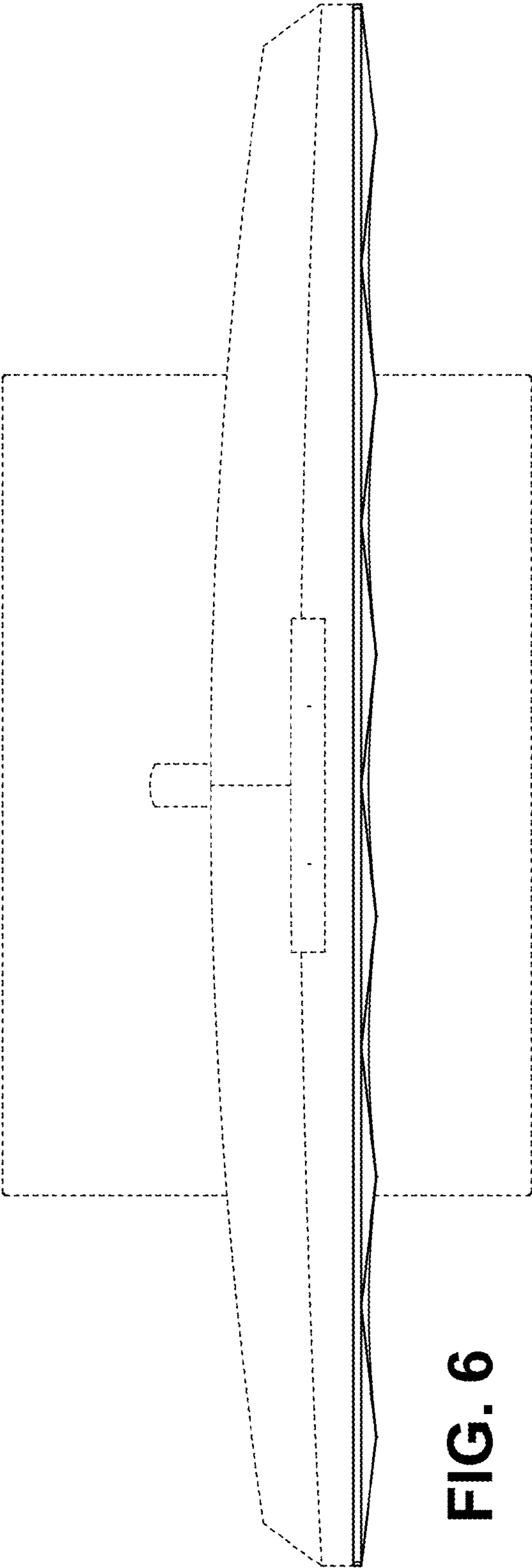


FIG. 6

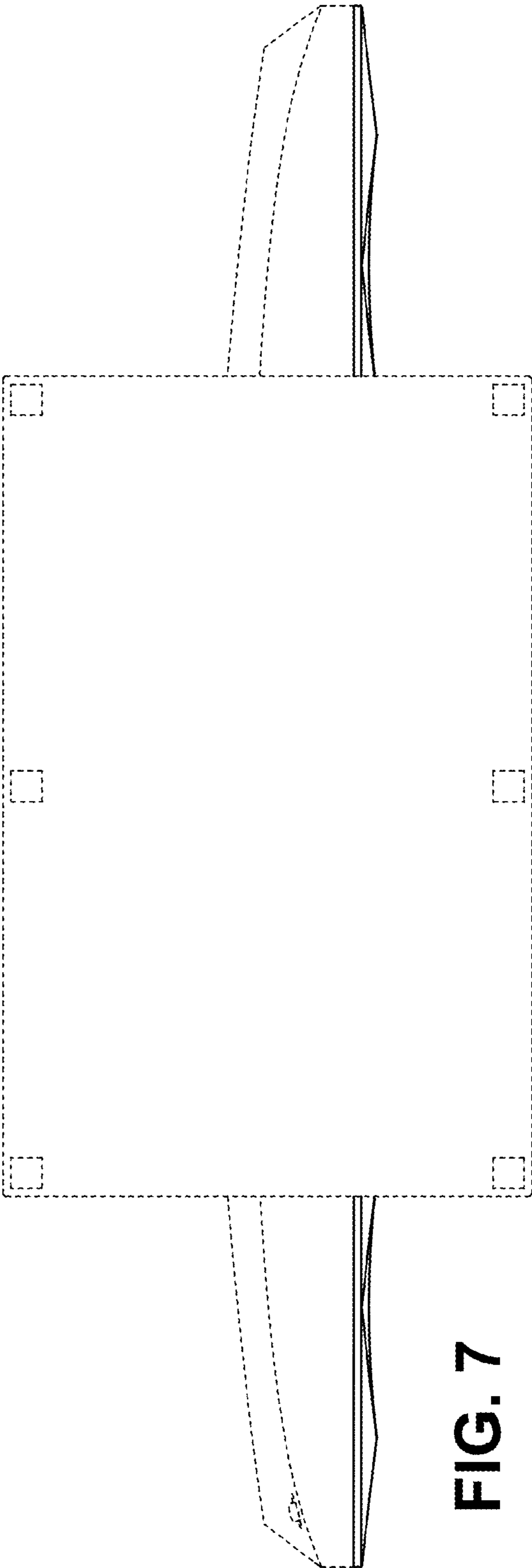


FIG. 7

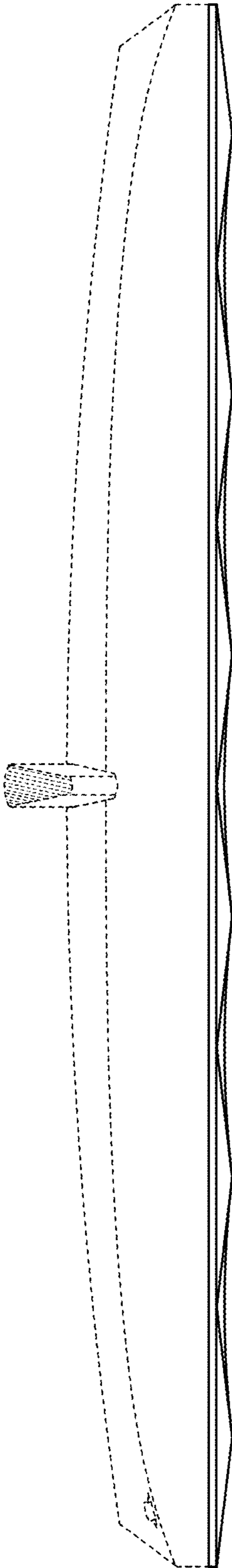


FIG. 8

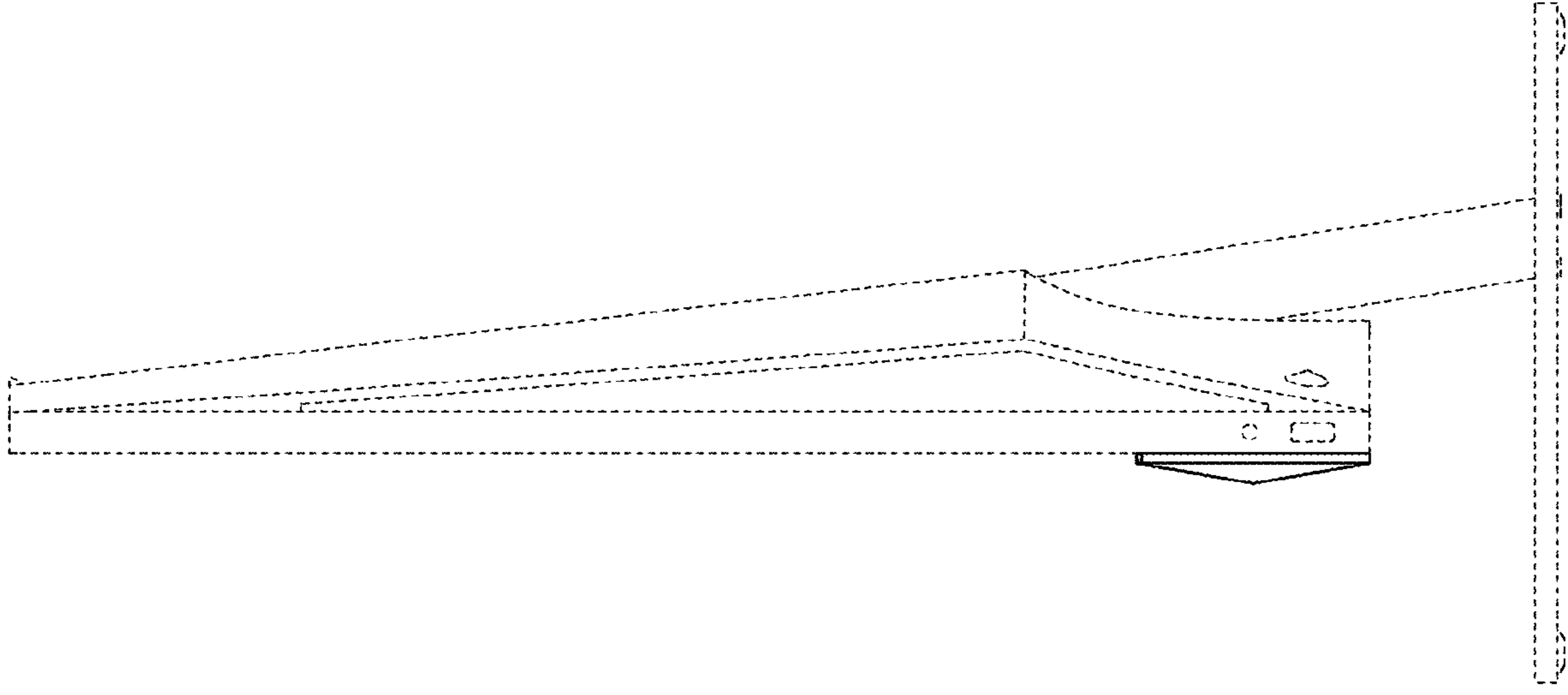


FIG. 9

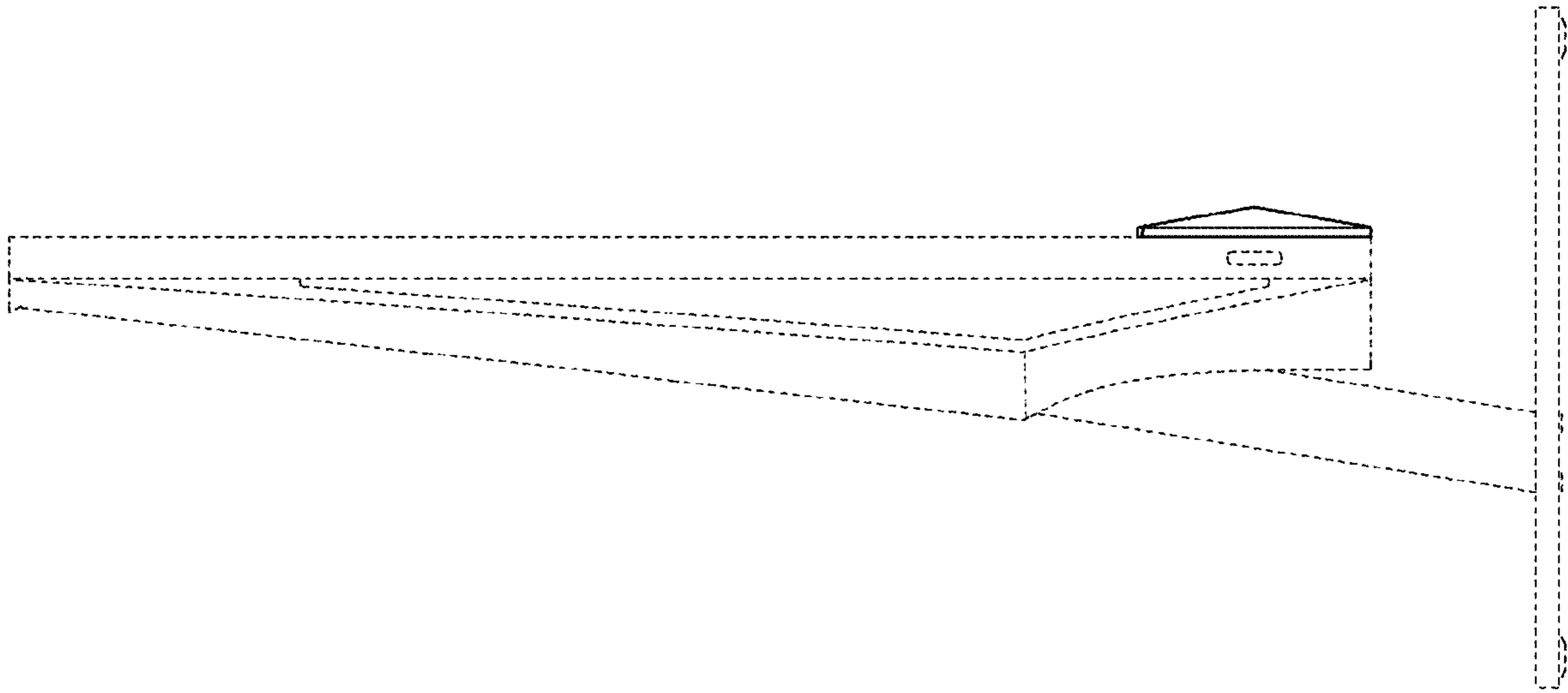


FIG. 10