



US00D947173S

(12) **United States Design Patent**
Yang et al.

(10) **Patent No.:** **US D947,173 S**
(45) **Date of Patent:** **** Mar. 29, 2022**

(54) **NOTEBOOK COMPUTER**

(71) Applicant: **Acer Incorporated**, New Taipei (TW)

(72) Inventors: **Szu-Wei Yang**, New Taipei (TW);
Kai-Teng Cheng, New Taipei (TW);
Yi-Ta Huang, New Taipei (TW);
Cheng-Nan Ling, New Taipei (TW)

(73) Assignee: **Acer Incorporated**, New Taipei (TW)

(**) Term: **15 Years**

(21) Appl. No.: **29/672,950**

(22) Filed: **Dec. 11, 2018**

(30) **Foreign Application Priority Data**

Aug. 31, 2018 (TW) 107305160

(51) **LOC (13) Cl.** **14-02**

(52) **U.S. Cl.**
USPC **D14/327**; D14/126; D14/374

(58) **Field of Classification Search**
USPC D14/315-327, 371, 448, 126; D18/1,
D18/4.3, 7, 12.2-12.3

(Continued)

(56) **References Cited**

U.S. PATENT DOCUMENTS

D564,990 S * 3/2008 Ueno D14/126
D737,232 S * 8/2015 Choi D14/126

(Continued)

OTHER PUBLICATIONS

Matsuoka, Yoshi Mitch, KR Design No. 300791164, published at Orbit, publication date Apr. 5, 2018. Site visited Sep. 25, 2021. Available from Internet. (Year: 2018).*

(Continued)

Primary Examiner — Kathleen L Jones

(74) *Attorney, Agent, or Firm* — JCIPRNET

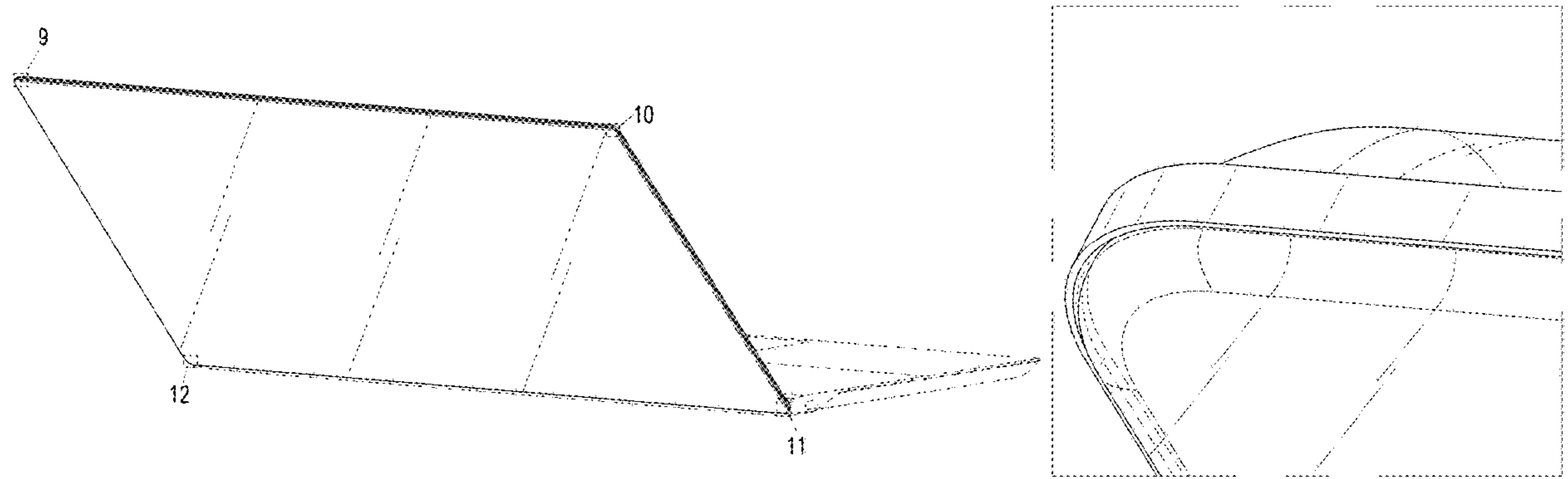
(57) **CLAIM**

The ornamental design for a notebook computer, as shown and described.

DESCRIPTION

FIG. 1 is a perspective view of a notebook computer showing our new design;
FIG. 2 is another perspective view thereof;
FIG. 3 is a front view thereof;
FIG. 4 is a rear view thereof;
FIG. 5 is a left side view thereof;
FIG. 6 is a right side view thereof;
FIG. 7 is a top view thereof;
FIG. 8 is a bottom view thereof;
FIGS. 9-12 are enlarged detail views of FIG. 1, shown separate and enlarged for clarity of illustration;
FIGS. 13-15 are enlarged detail views of FIG. 2, shown separate and enlarged for clarity of illustration;
FIGS. 16-17 are enlarged detail views of FIG. 3, shown separate and enlarged for clarity of illustration;
FIG. 18 is an enlarged detail view of FIG. 4, shown separate and enlarged for clarity of illustration;
FIGS. 19-20 are enlarged detail views of FIG. 5, shown separate and enlarged for clarity of illustration;
FIGS. 21-22 are enlarged detail views of FIG. 7, shown separate and enlarged for clarity of illustration;
FIG. 23 is another perspective view of the notebook computer shown in a folded state;
FIG. 24 is another perspective view thereof;
FIG. 25 is a front view thereof;
FIG. 26 is a left side view thereof;
FIG. 27 is a top view thereof;
FIGS. 28-29 are enlarged detail views of FIG. 23, shown separate and enlarged for clarity of illustration; and,
FIGS. 30-31 are enlarged detail views of FIG. 24, shown separate and enlarged for clarity of illustration.
The evenly-dashed broken lines in the figures depict portions of the notebook computer which form no part of the claimed design. The unevenly-dashed broken lines in FIGS. 1-5, 7, 24, and 28-31, used to indicate portions of the figures shown enlarged, form no part of the claimed design.

1 Claim, 22 Drawing Sheets



(58) **Field of Classification Search**

CPC G06F 1/166; G06F 1/1613; G06F 1/1616;
 G06F 1/1618; G06F 1/162; G06F 1/1622;
 G06F 1/1624; G06F 1/1633; G06F
 1/1615; G06F 1/1643; G06F 1/1654;
 G06F 1/1656; G06F 1/1669; G06F 1/203;
 G06F 1/1688; G06F 1/1601; G06F
 1/1637; G06F 1/181; G06F 1/1647; G06F
 1/1649; G06F 1/165; G06F 1/1662; G06F
 1/1671; G06F 1/169; G06F 1/1692; G06F
 1/1652; H05K 5/0047; H05K 5/0052
 See application file for complete search history.

D805,487 S *	12/2017	Kim	D14/126
D807,846 S *	1/2018	Kim	D14/126
D812,580 S *	3/2018	Won	D14/126
D839,229 S *	1/2019	Kim	D14/126
D845,259 S *	4/2019	Won	D14/126
D864,136 S *	10/2019	Kim	D14/126
D918,851 S *	5/2021	Shim	B64D 11/00154 D14/126
D918,852 S *	5/2021	Shim	B64D 11/00154 D14/126
D918,896 S *	5/2021	Suzuki	D14/327
2012/0235949 A1 *	9/2012	Ligtenberg	G06F 3/0445 345/174
2015/0338934 A1 *	11/2015	Hawkins	G06F 1/1686 345/157

(56) **References Cited**

U.S. PATENT DOCUMENTS

D753,618 S *	4/2016	Ryu	D14/126
D758,982 S *	6/2016	Moon	D14/126
D762,599 S *	8/2016	Moon	D14/126
D766,859 S *	9/2016	Won	D14/126
D769,203 S *	10/2016	Ann	D14/126
D805,050 S *	12/2017	Lim	D14/126

OTHER PUBLICATIONS

Saenz, Aaron, Samsung's Laptop with an Amazing Transparent OLED Screen, posted at Singularity Hub, posting date Jan. 19, 2010. URL: <<https://singularityhub.com/2010/01/19/samsungs-laptop-with-an-amazing-transparent-oled-screen-video/>> (Year: 2010).*

* cited by examiner

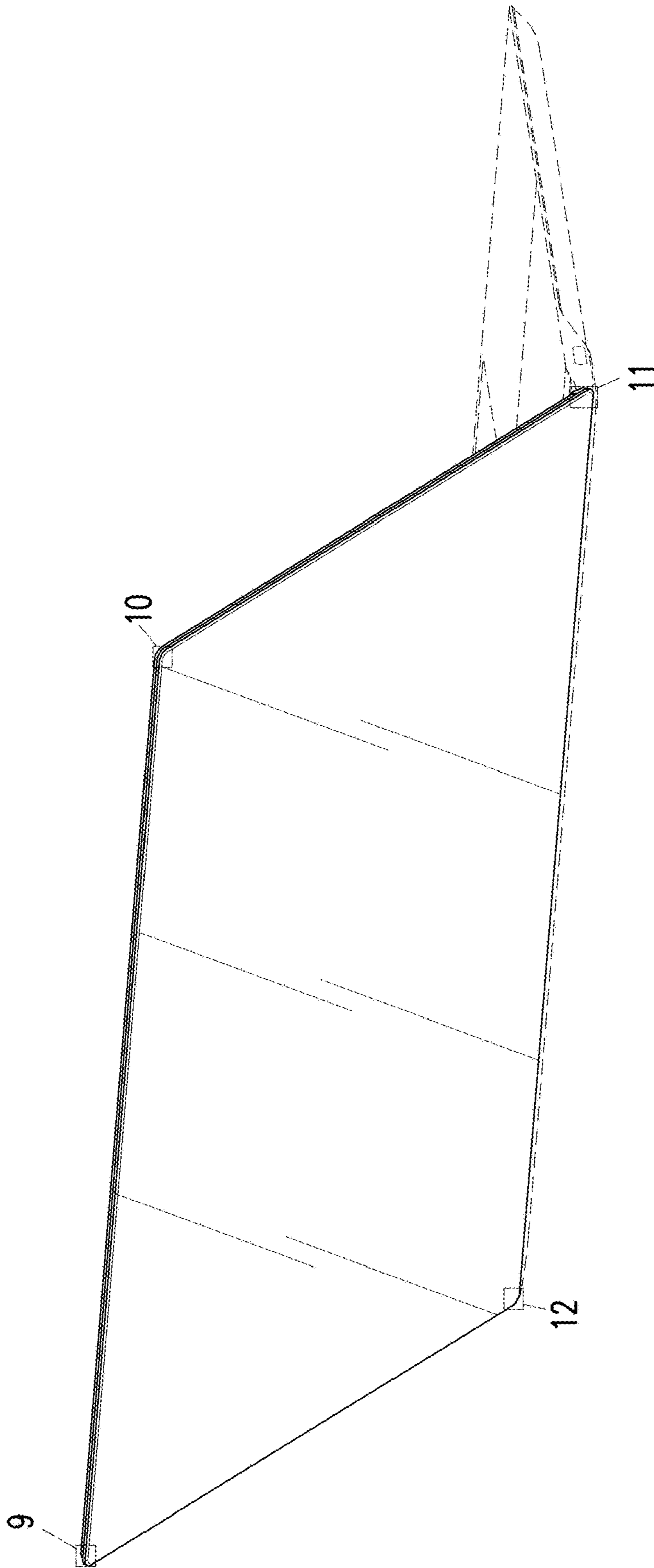


FIG. 1

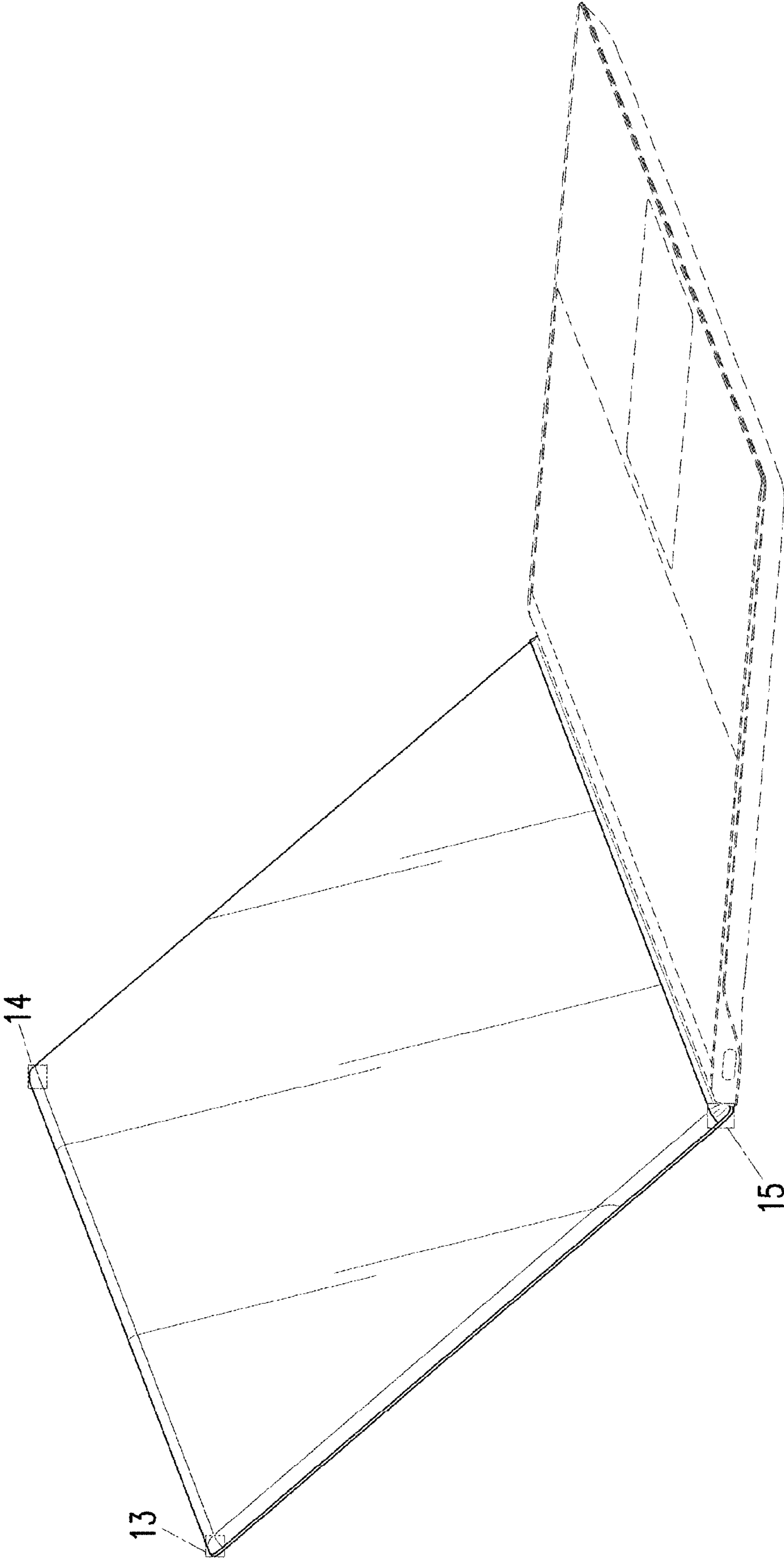


FIG. 2

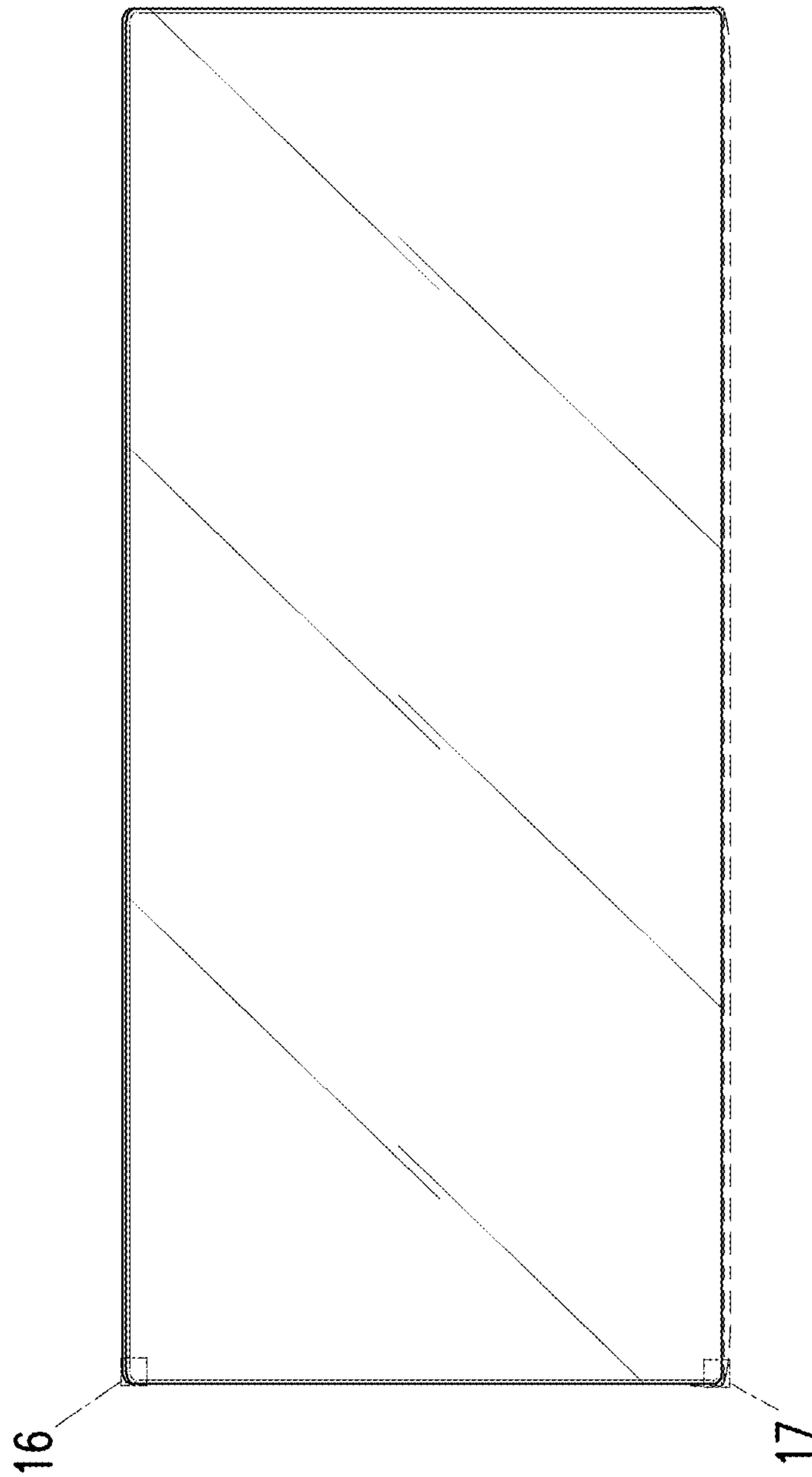


FIG. 3

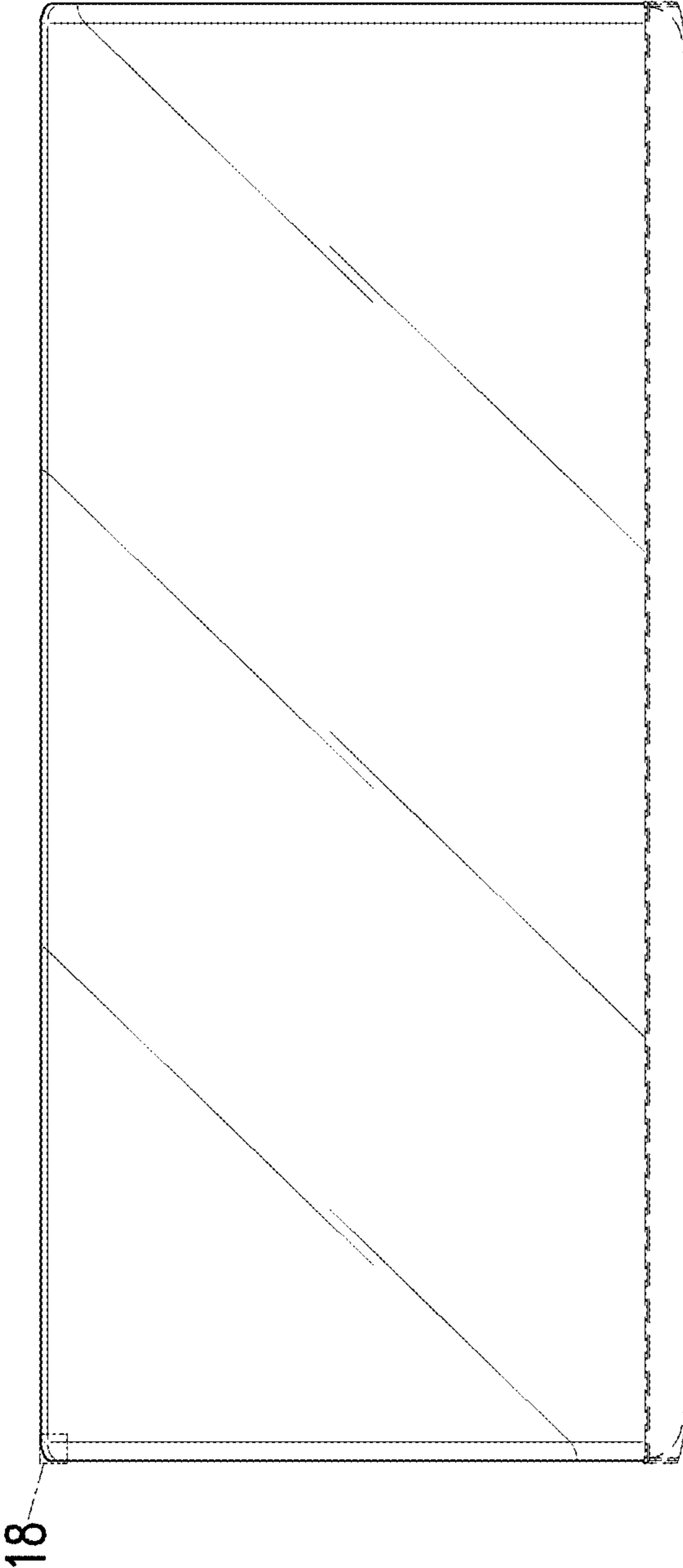


FIG. 4

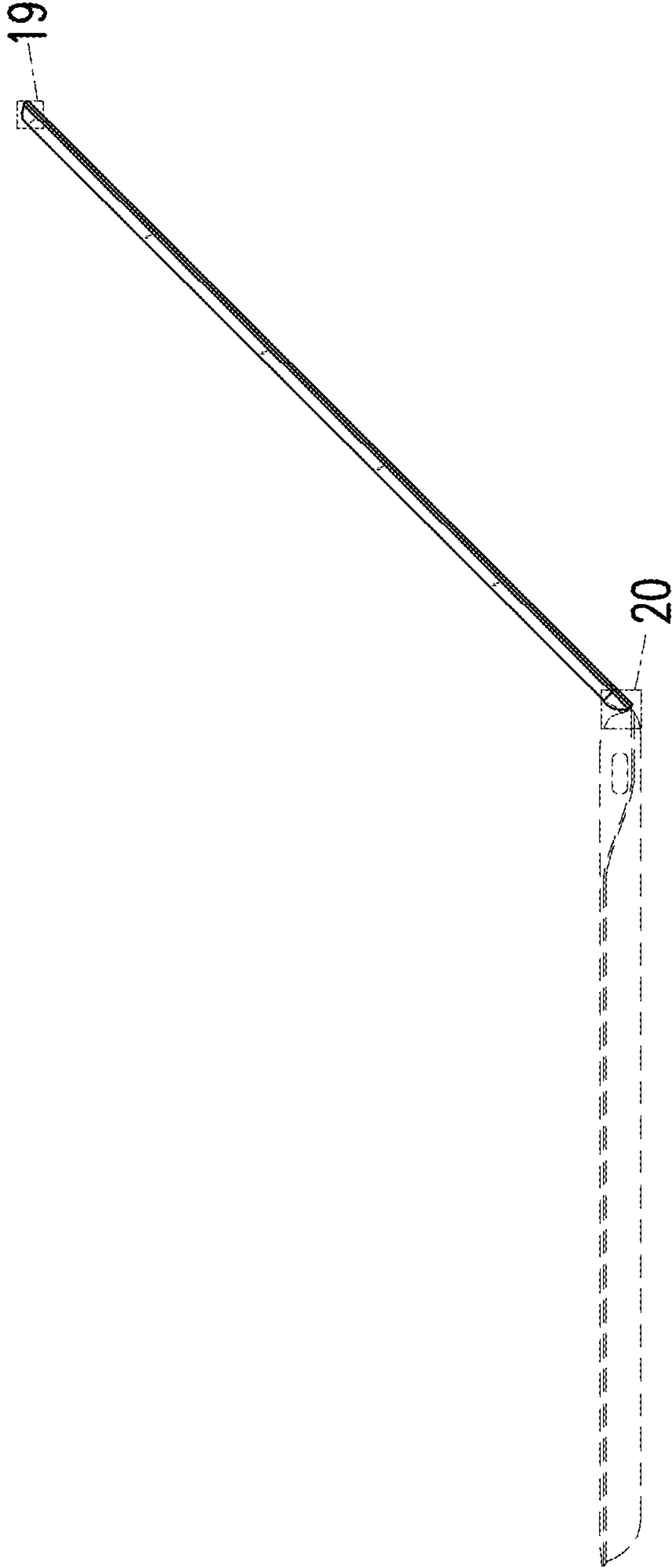


FIG. 5

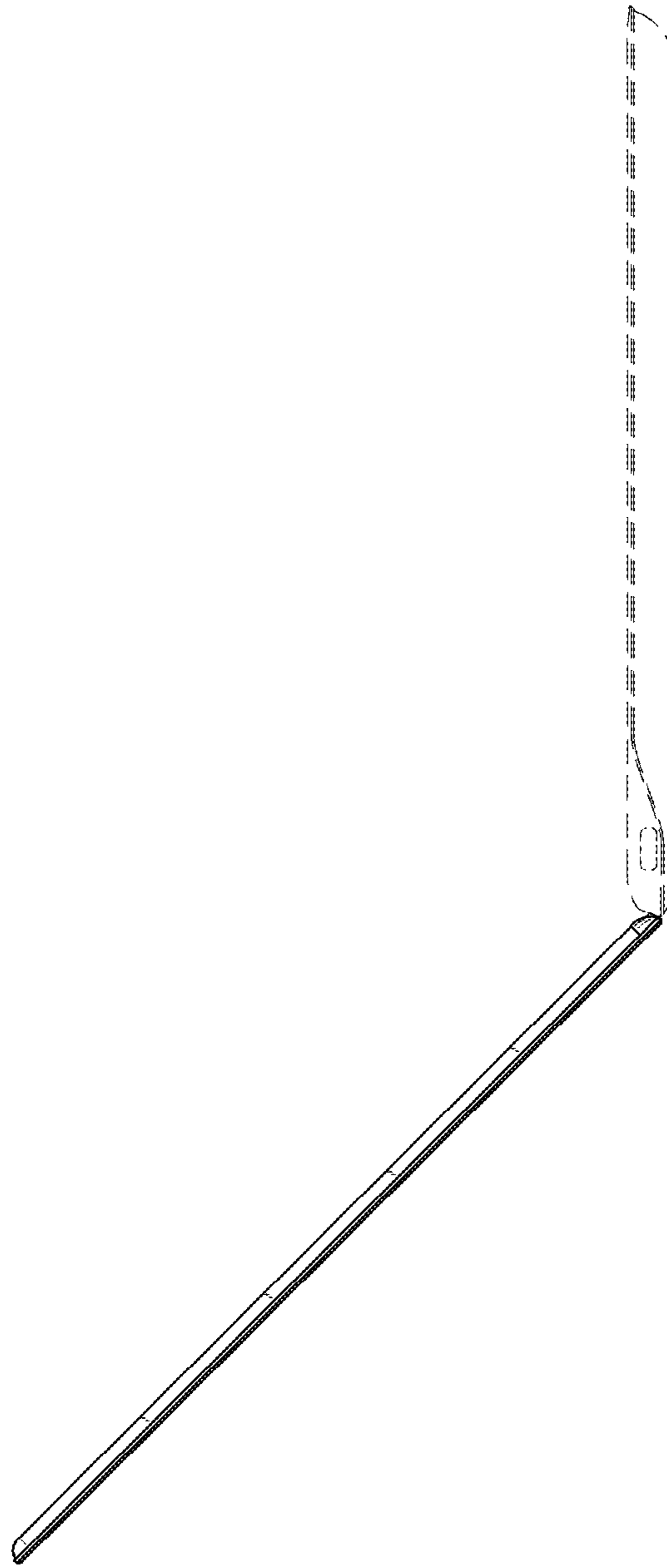


FIG. 6

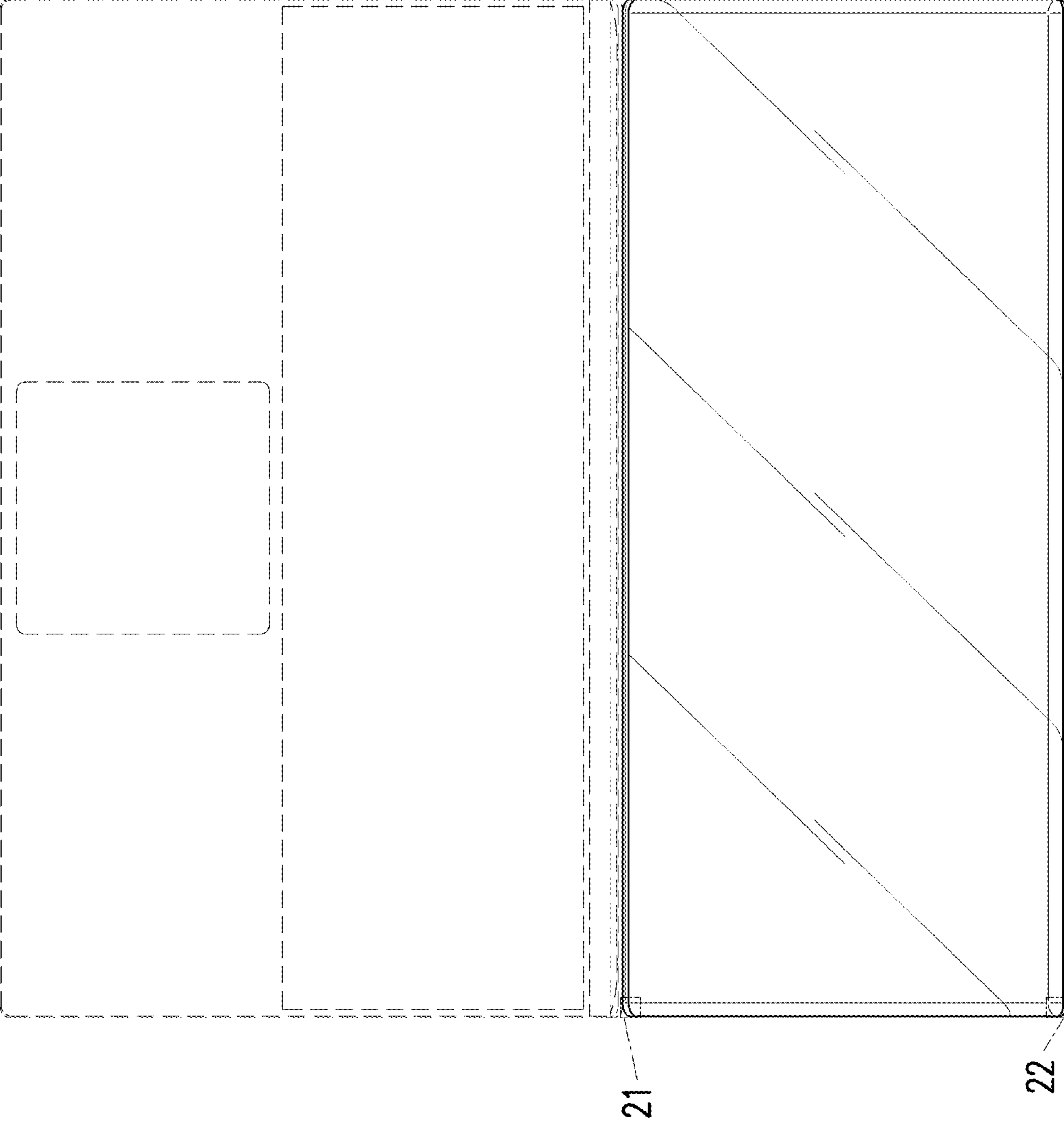


FIG. 7

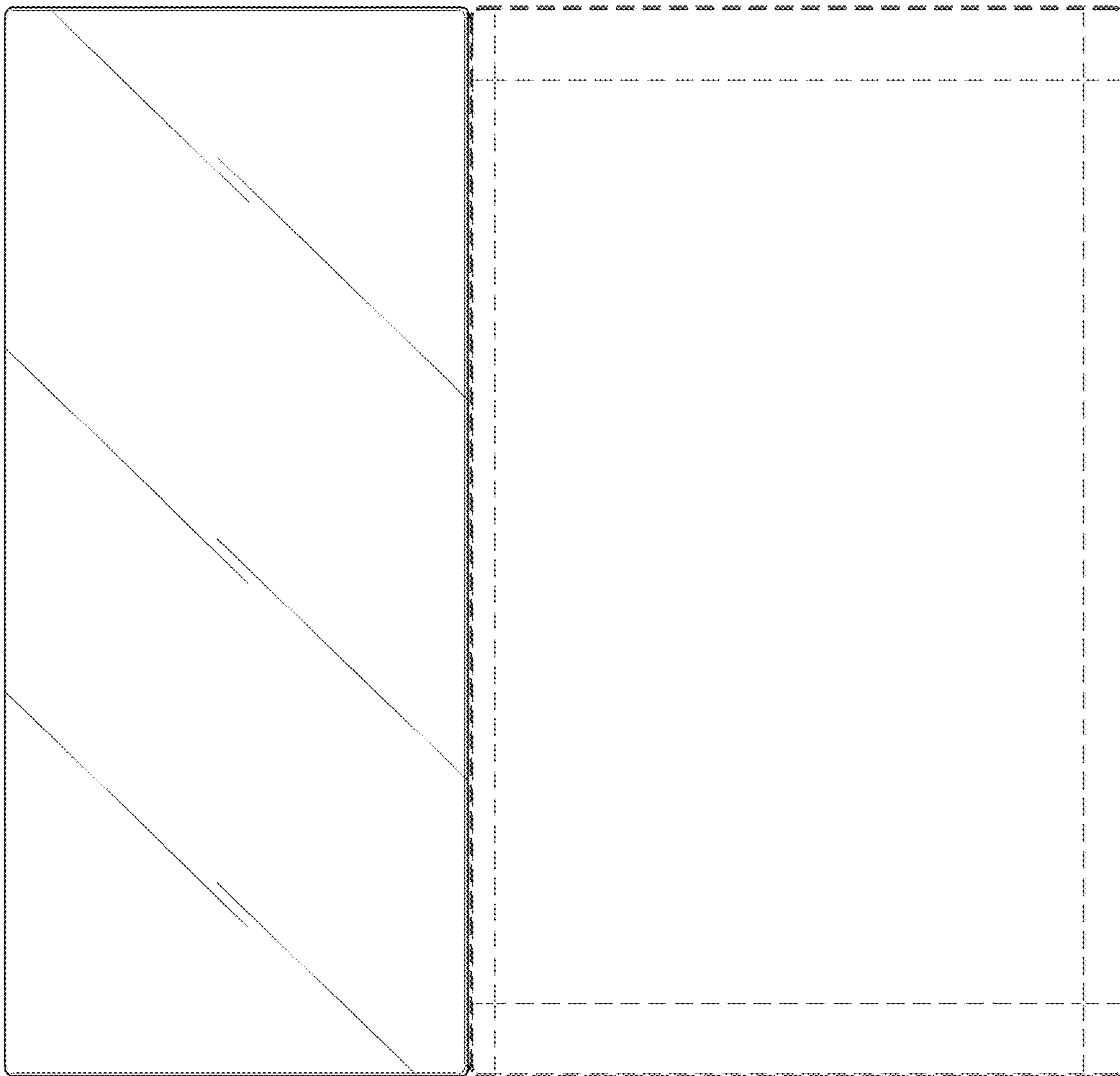


FIG. 8

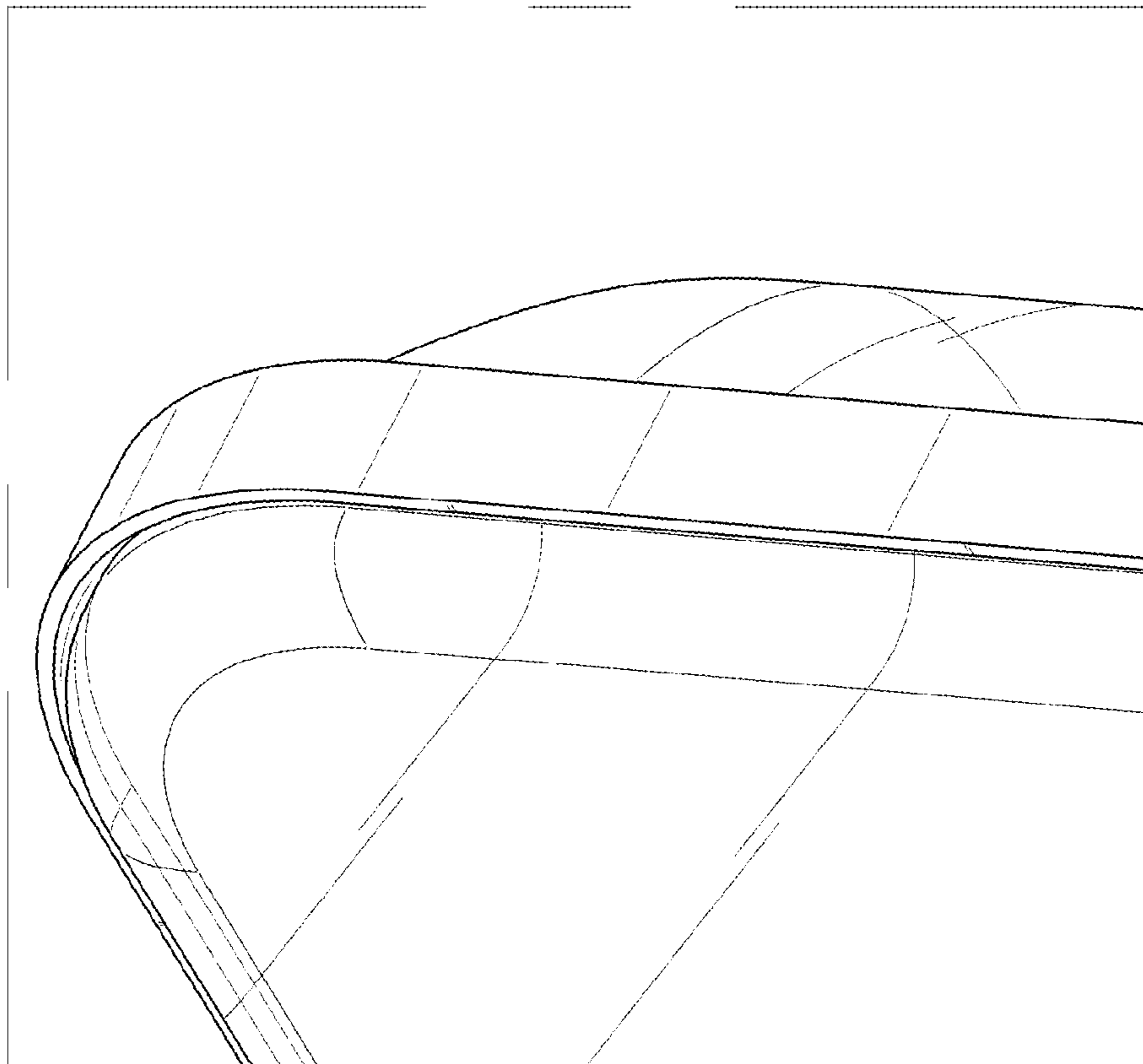


FIG. 9

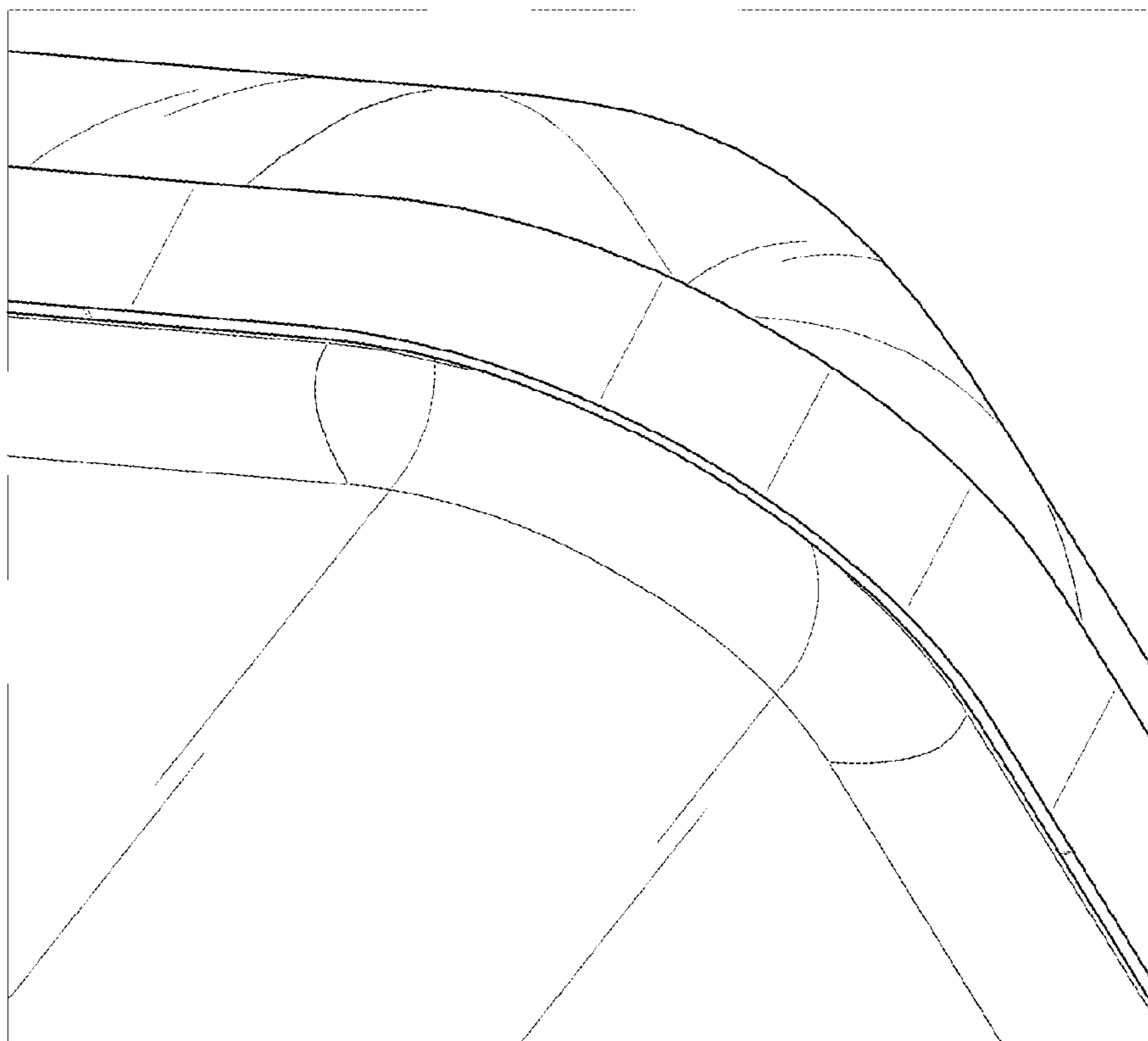


FIG. 10

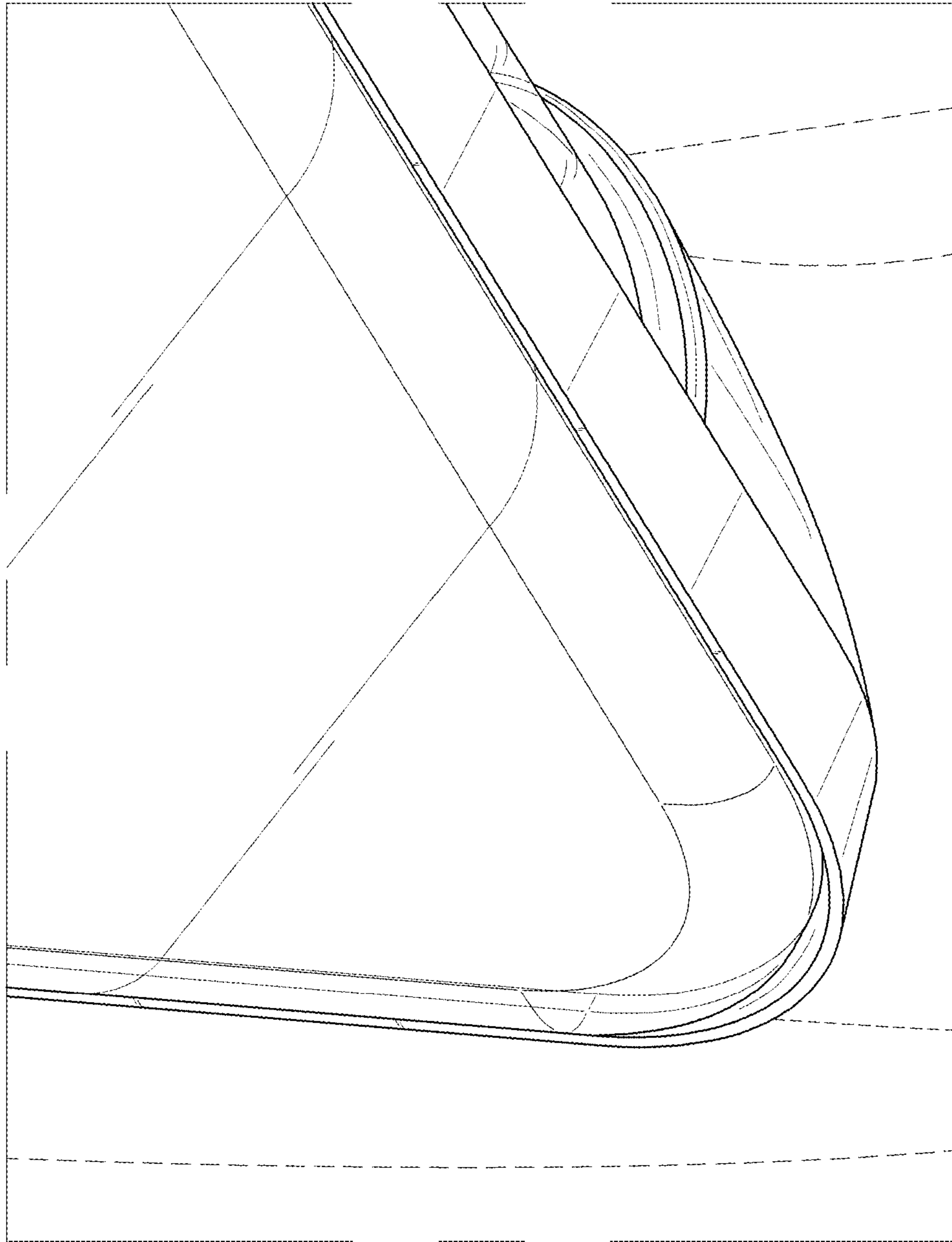


FIG. 11

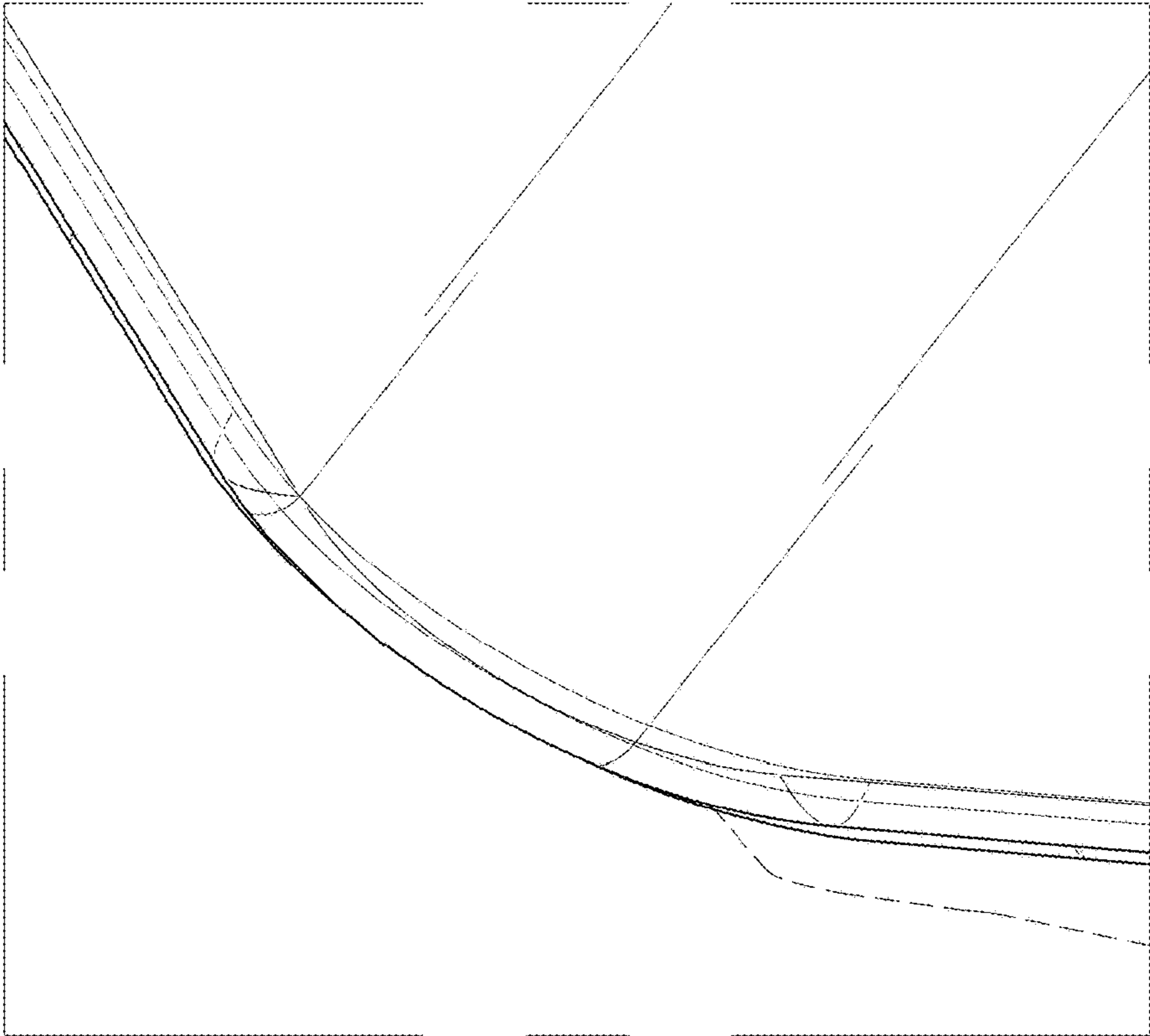


FIG. 12

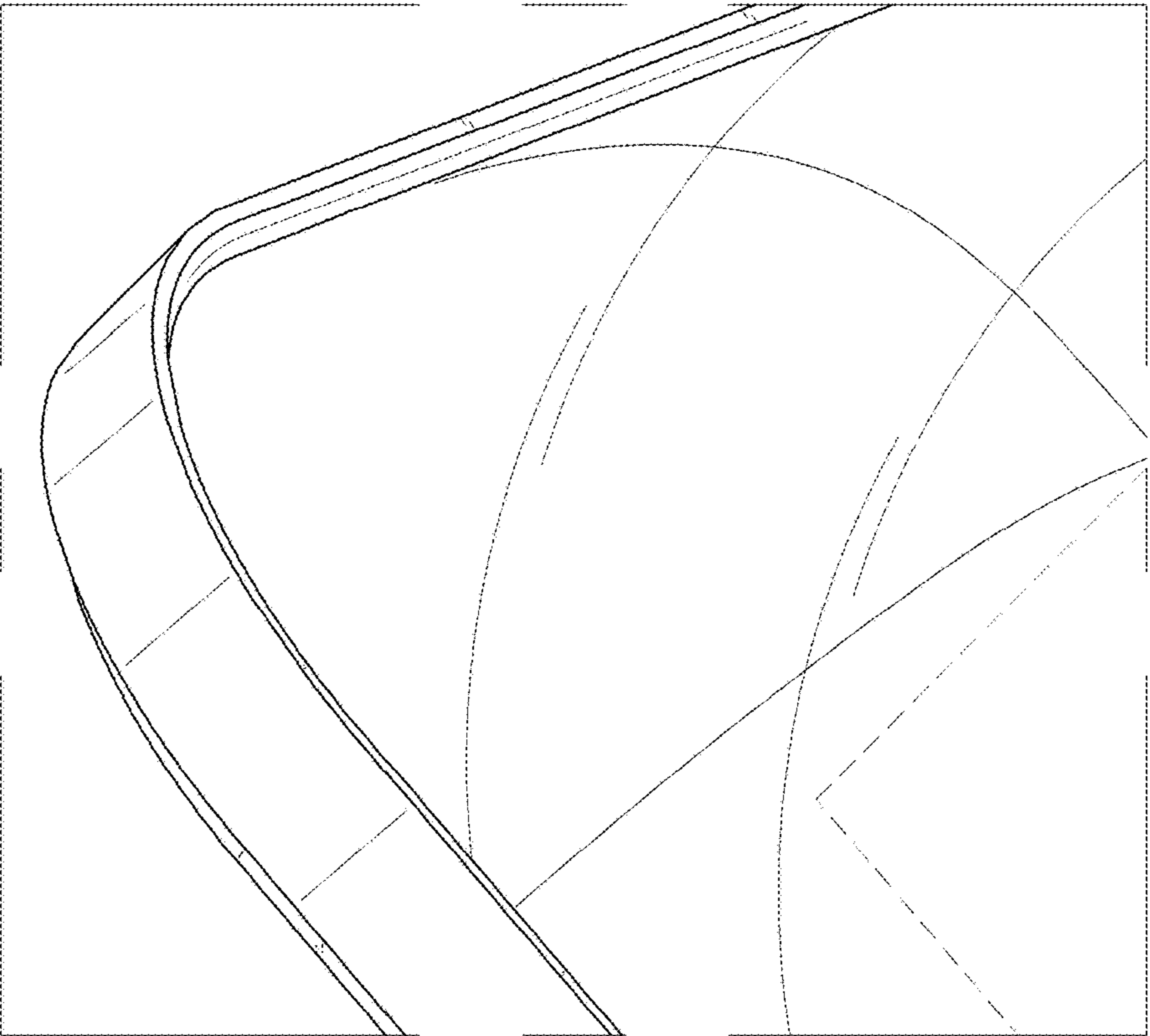


FIG. 13

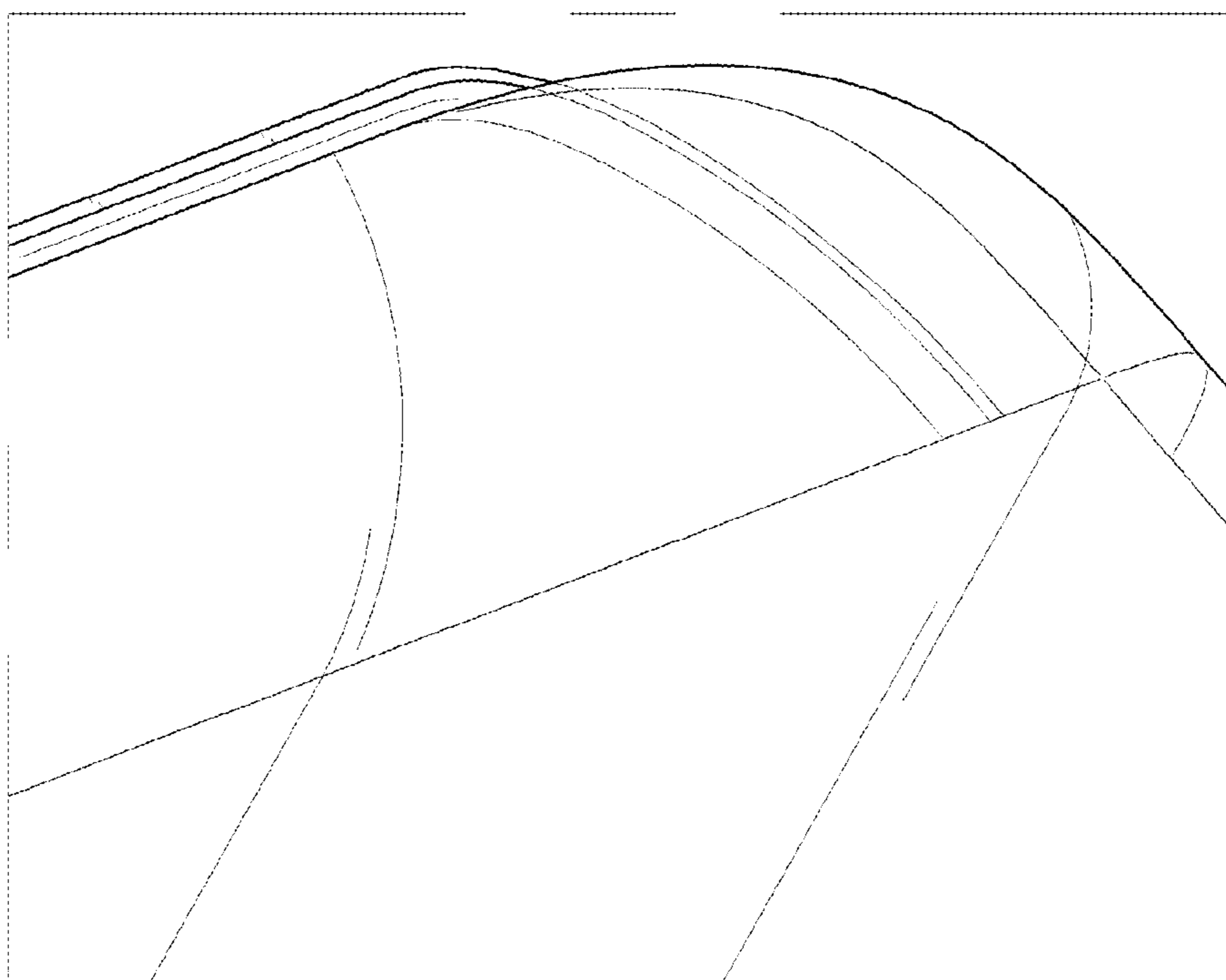


FIG. 14

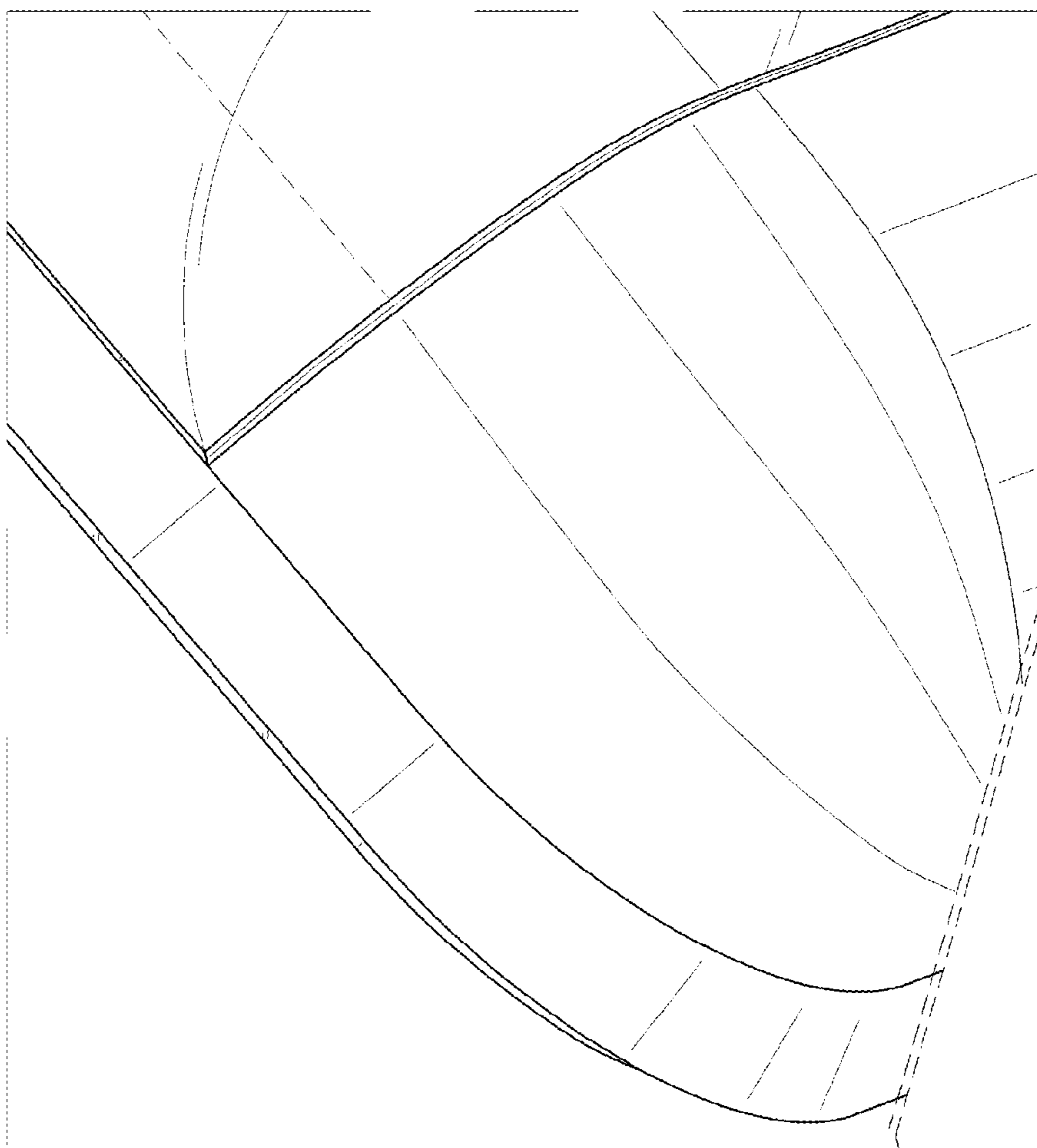


FIG. 15

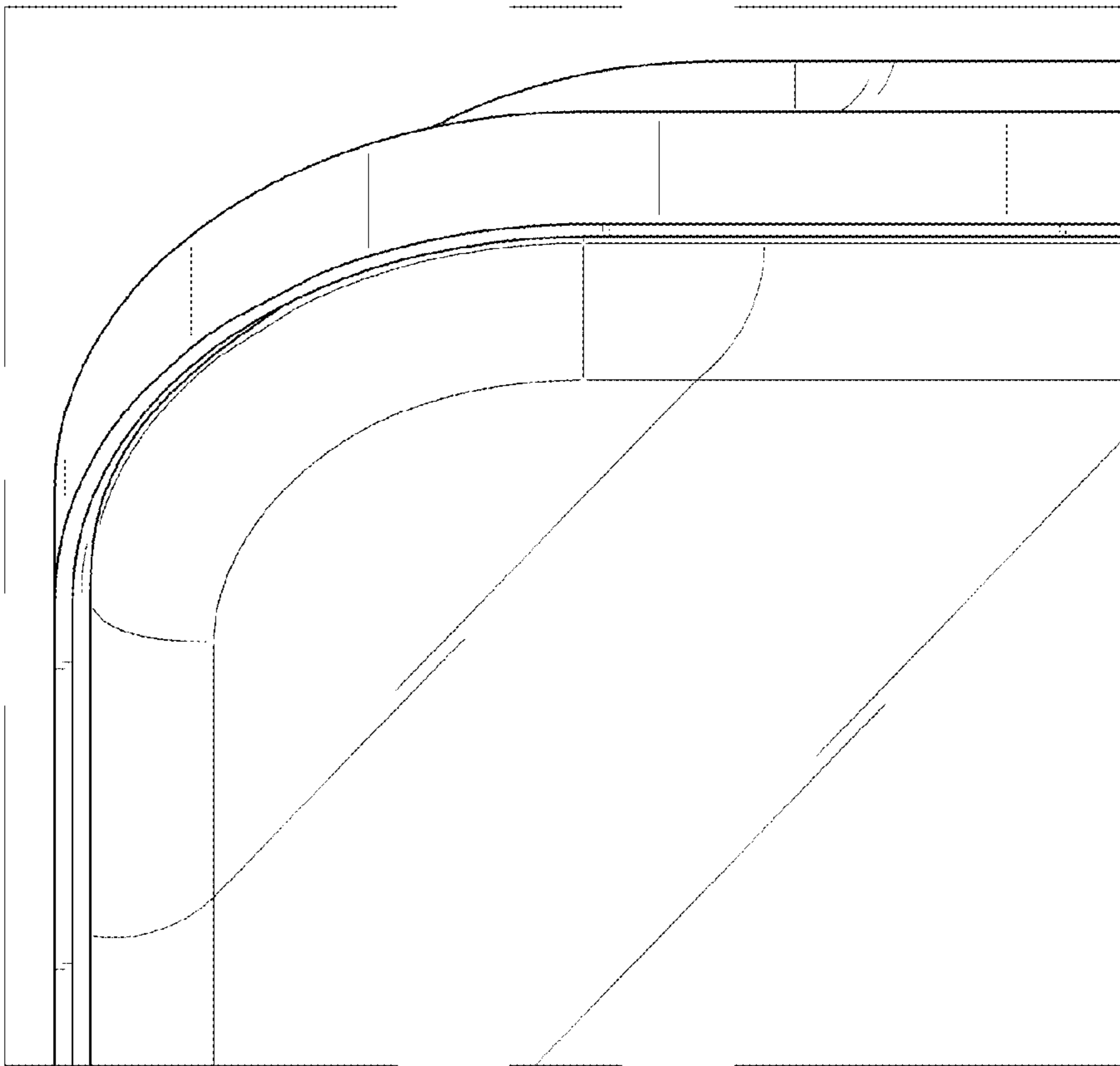


FIG. 16

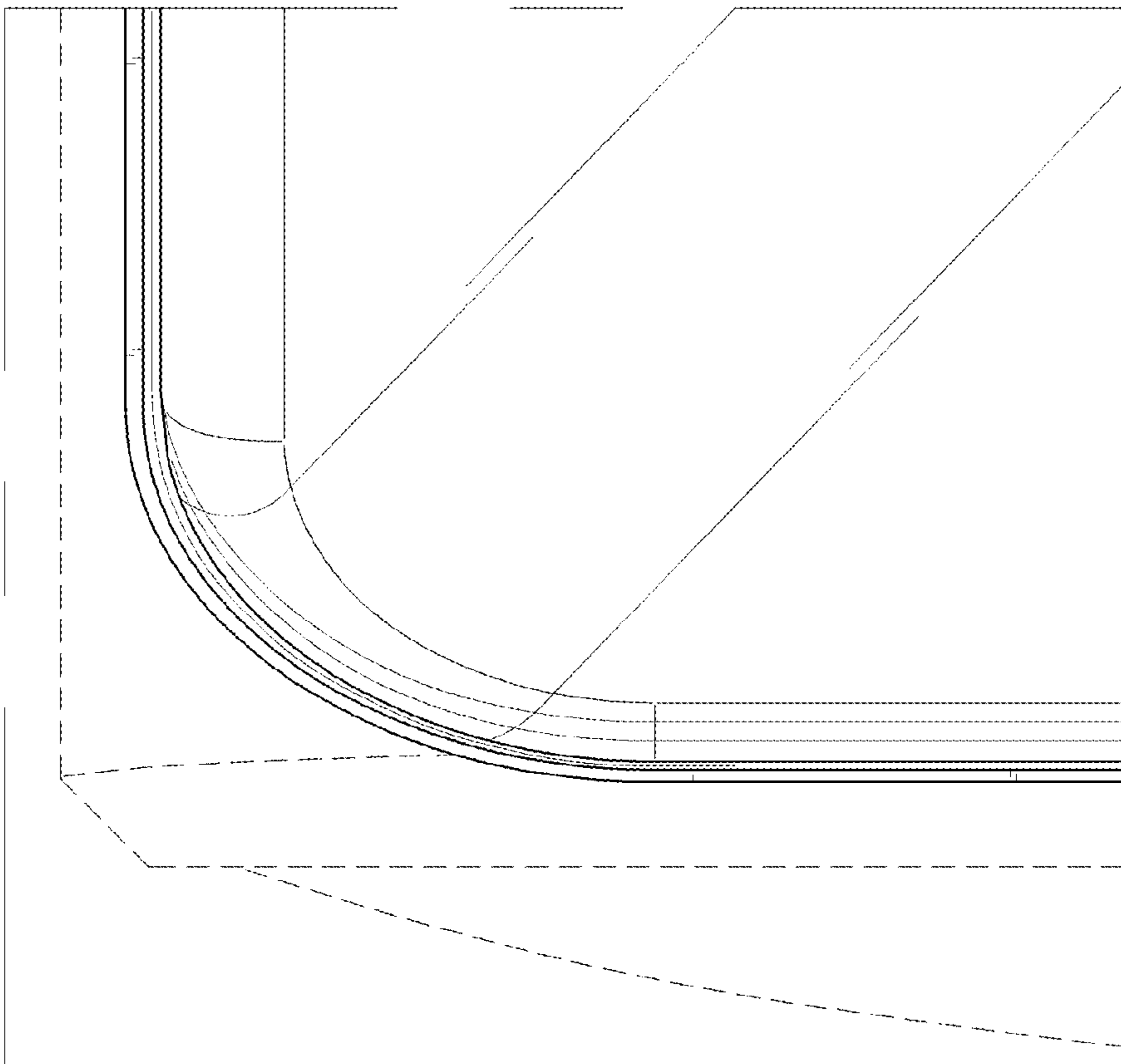


FIG. 17

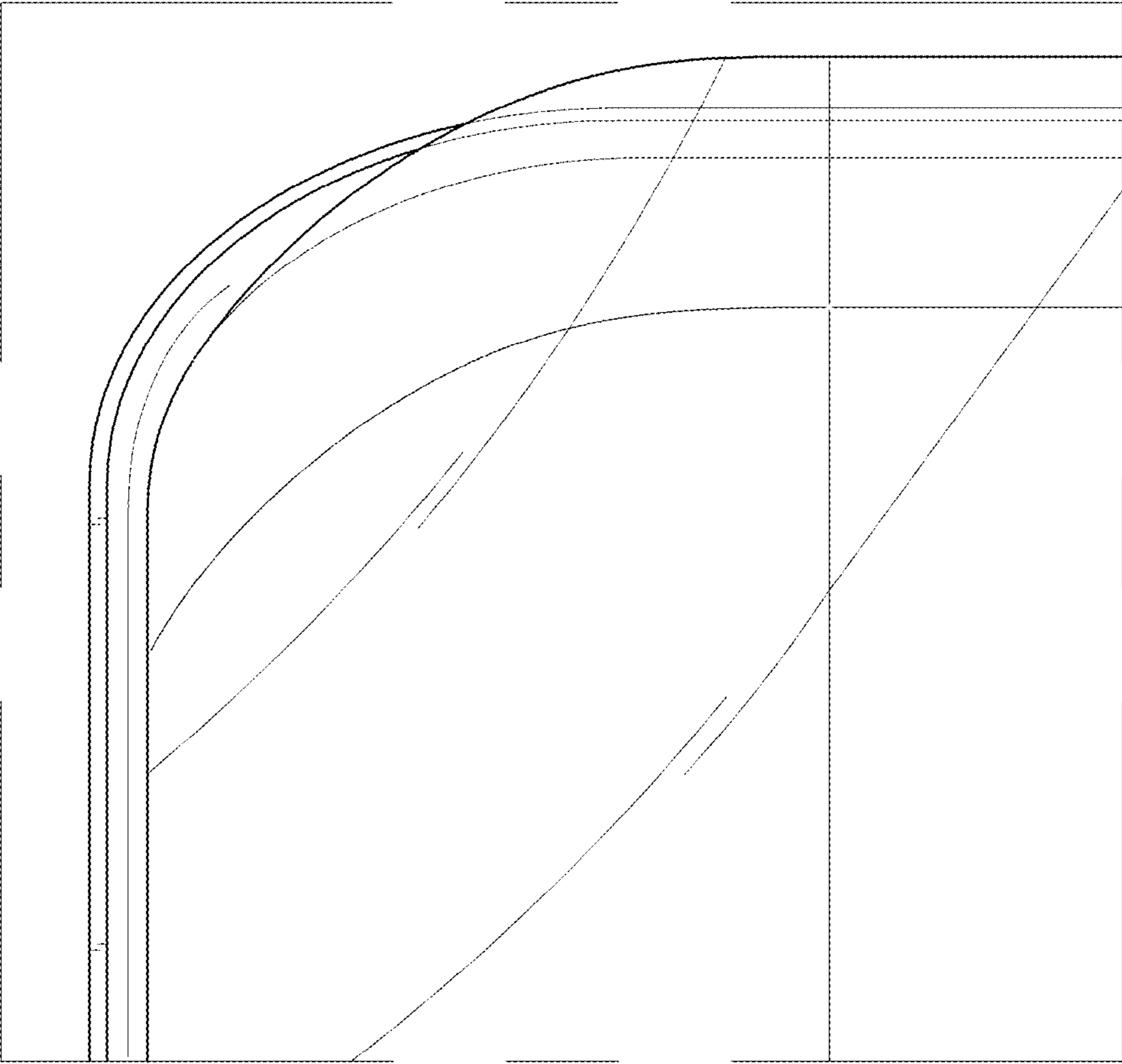


FIG. 18

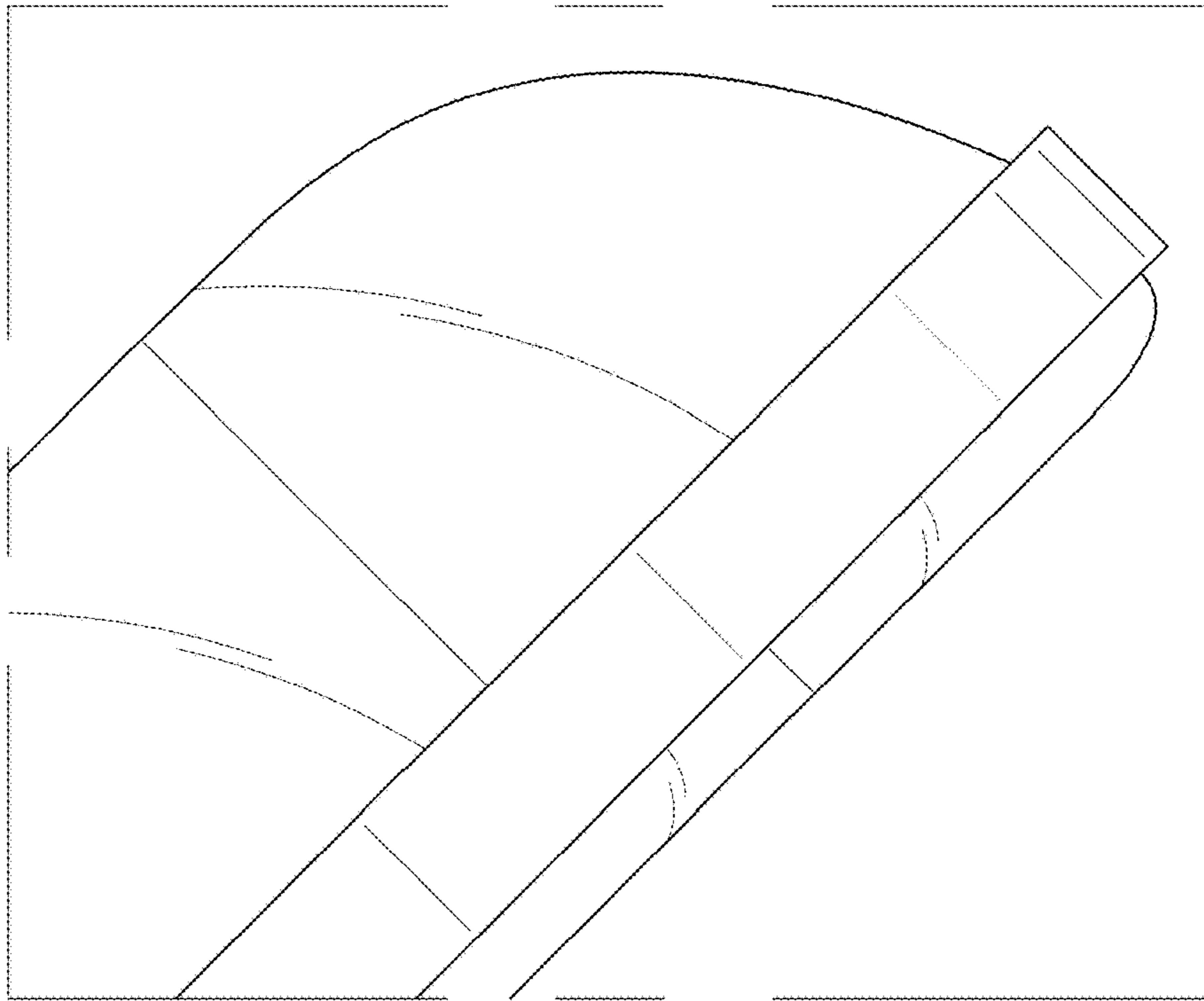


FIG. 19

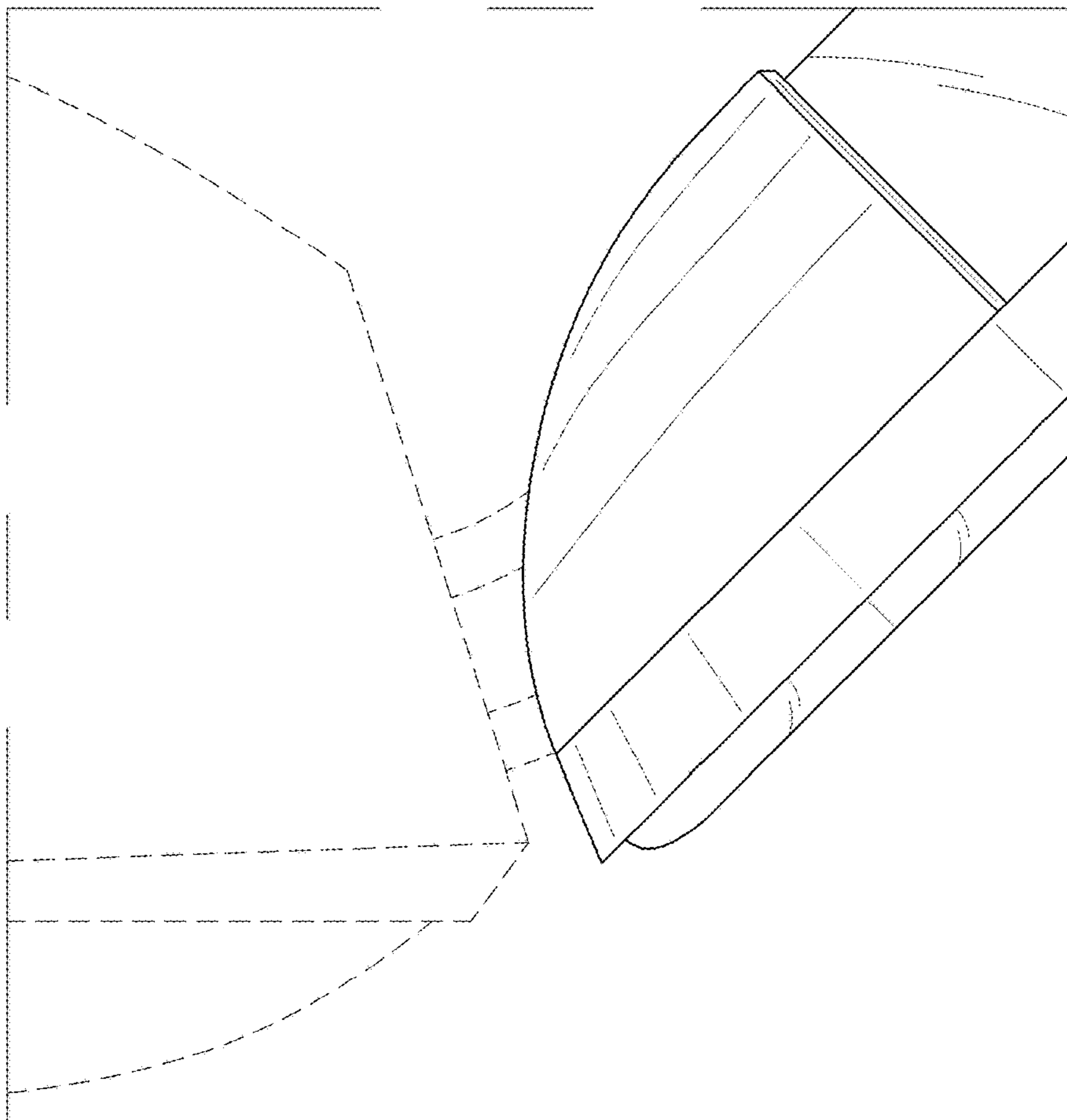


FIG. 20

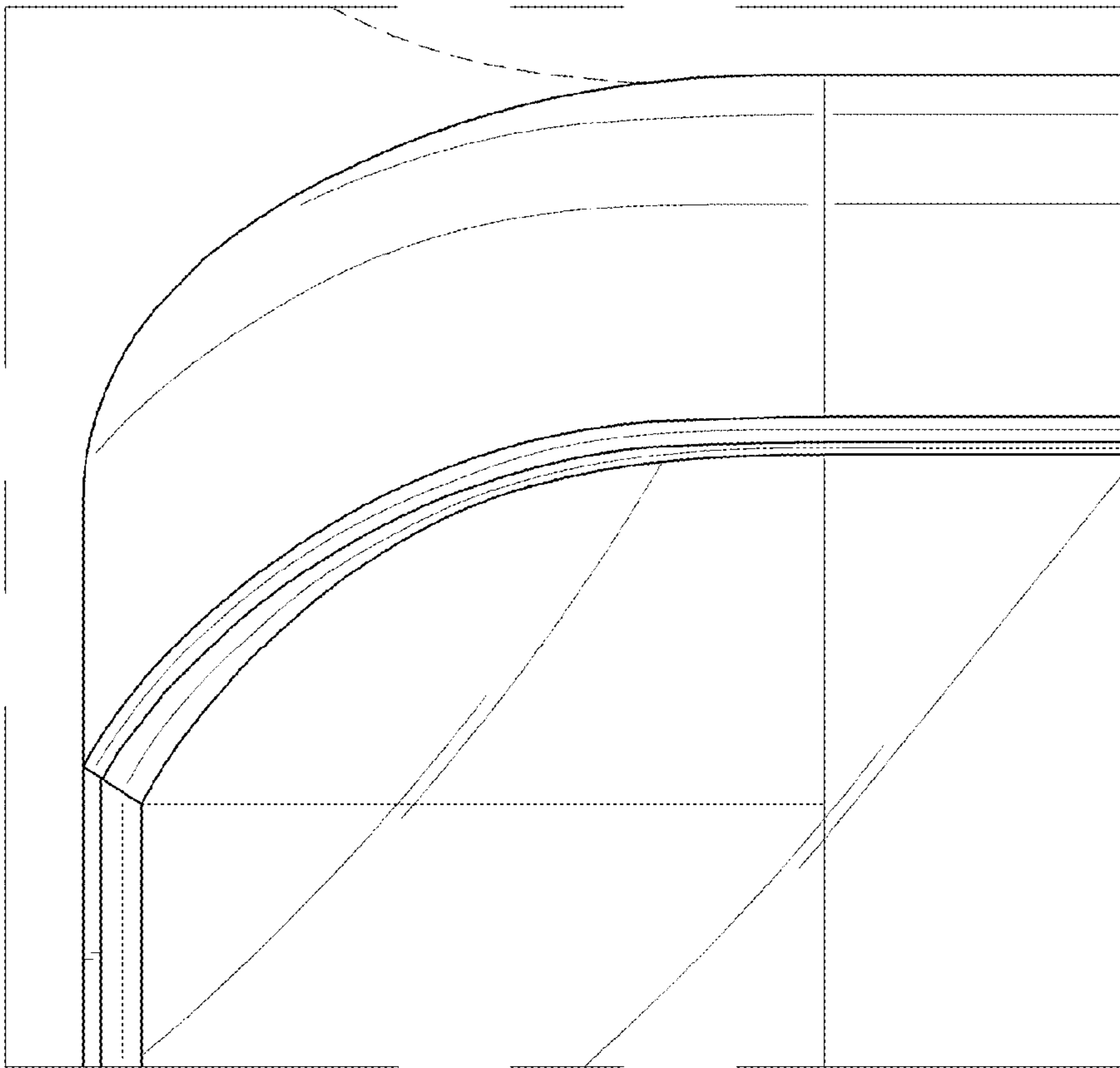


FIG. 21

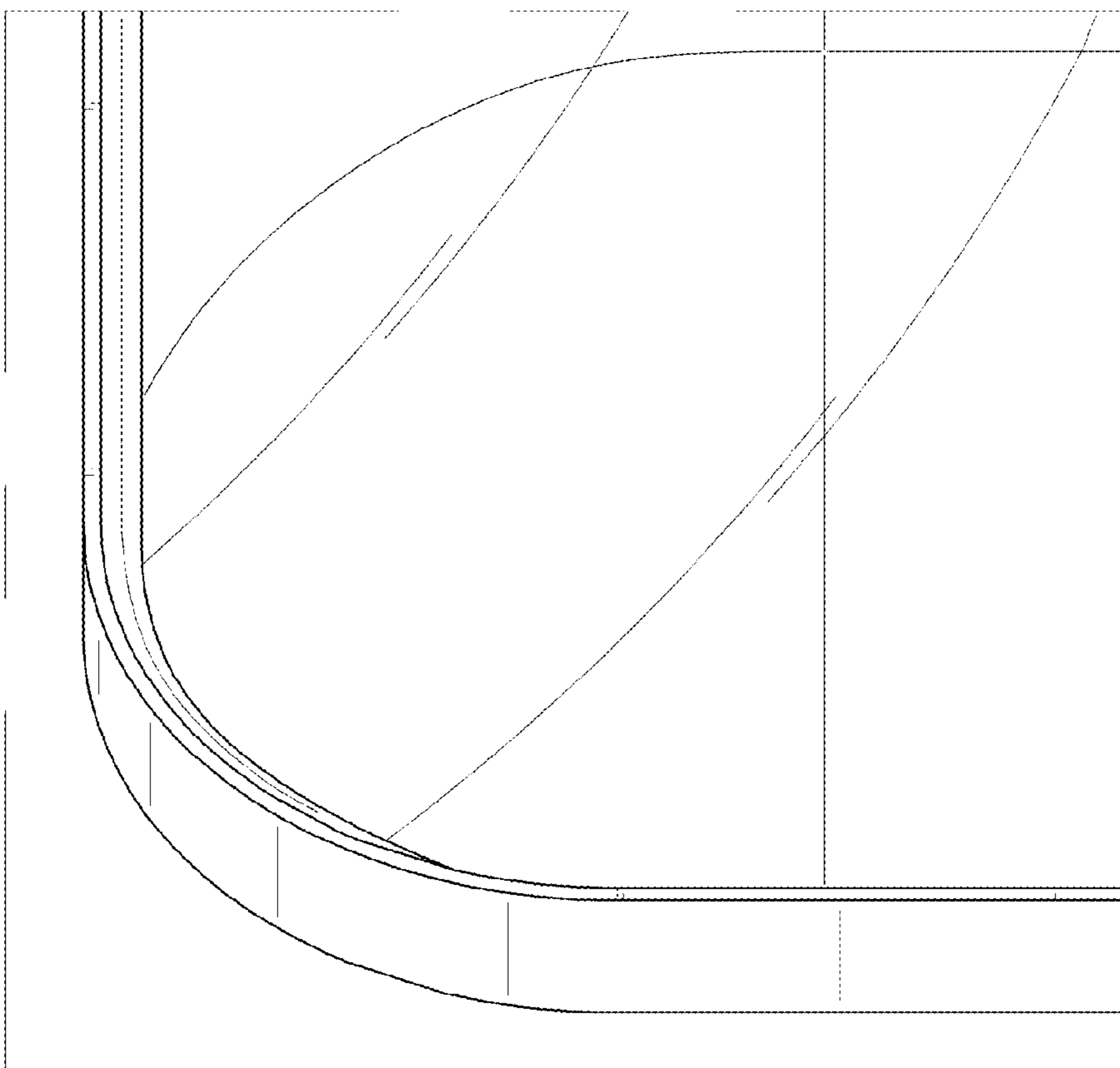


FIG. 22

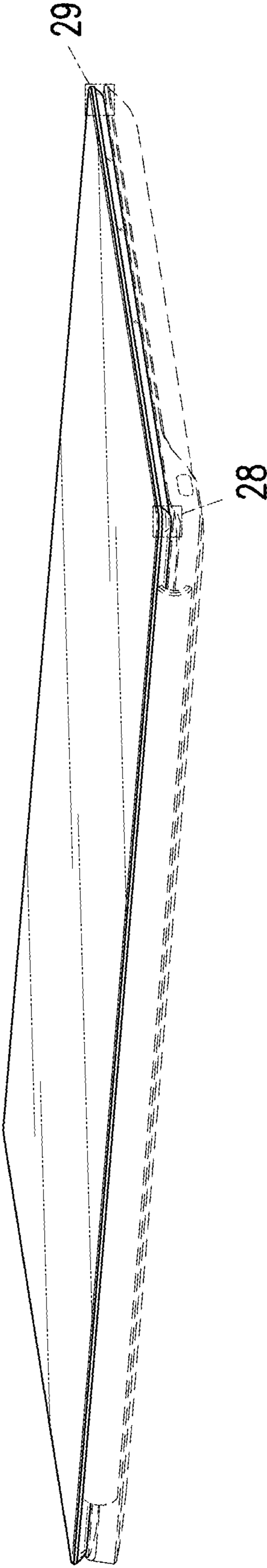


FIG. 23

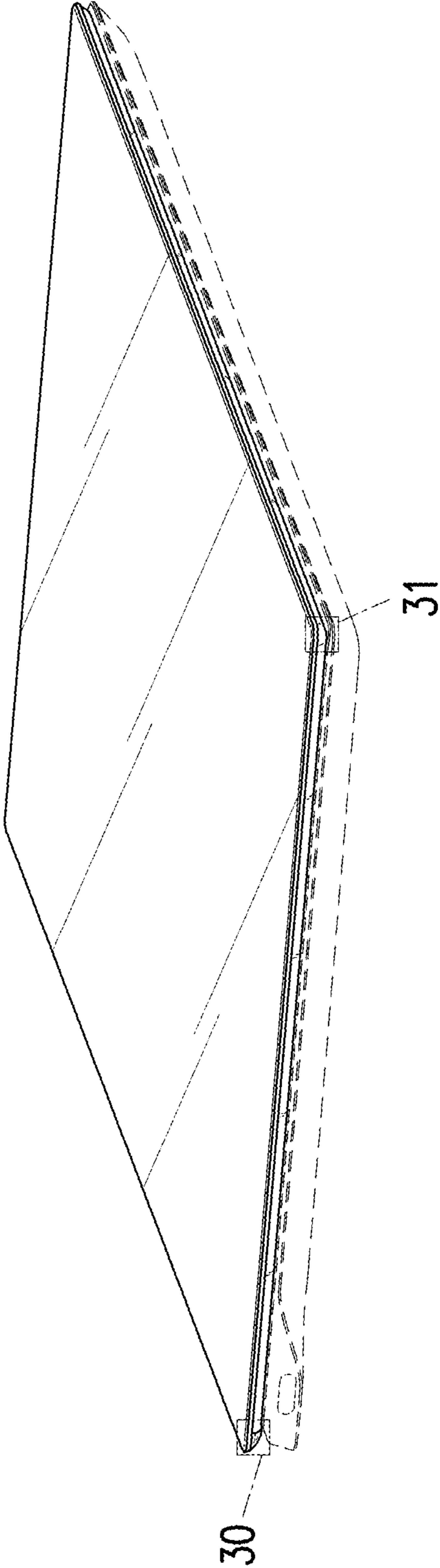


FIG. 24



FIG. 25



FIG. 26

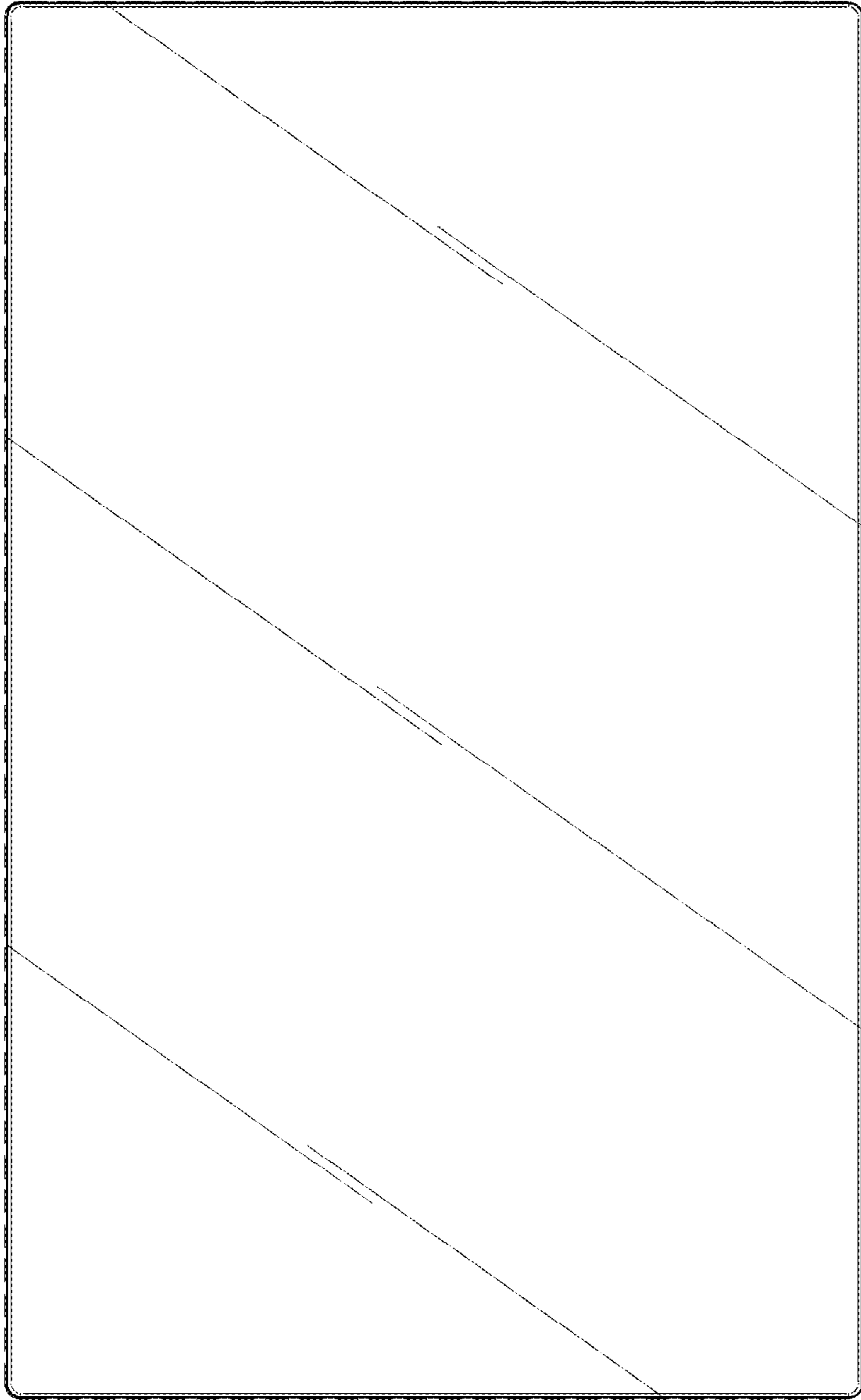


FIG. 27

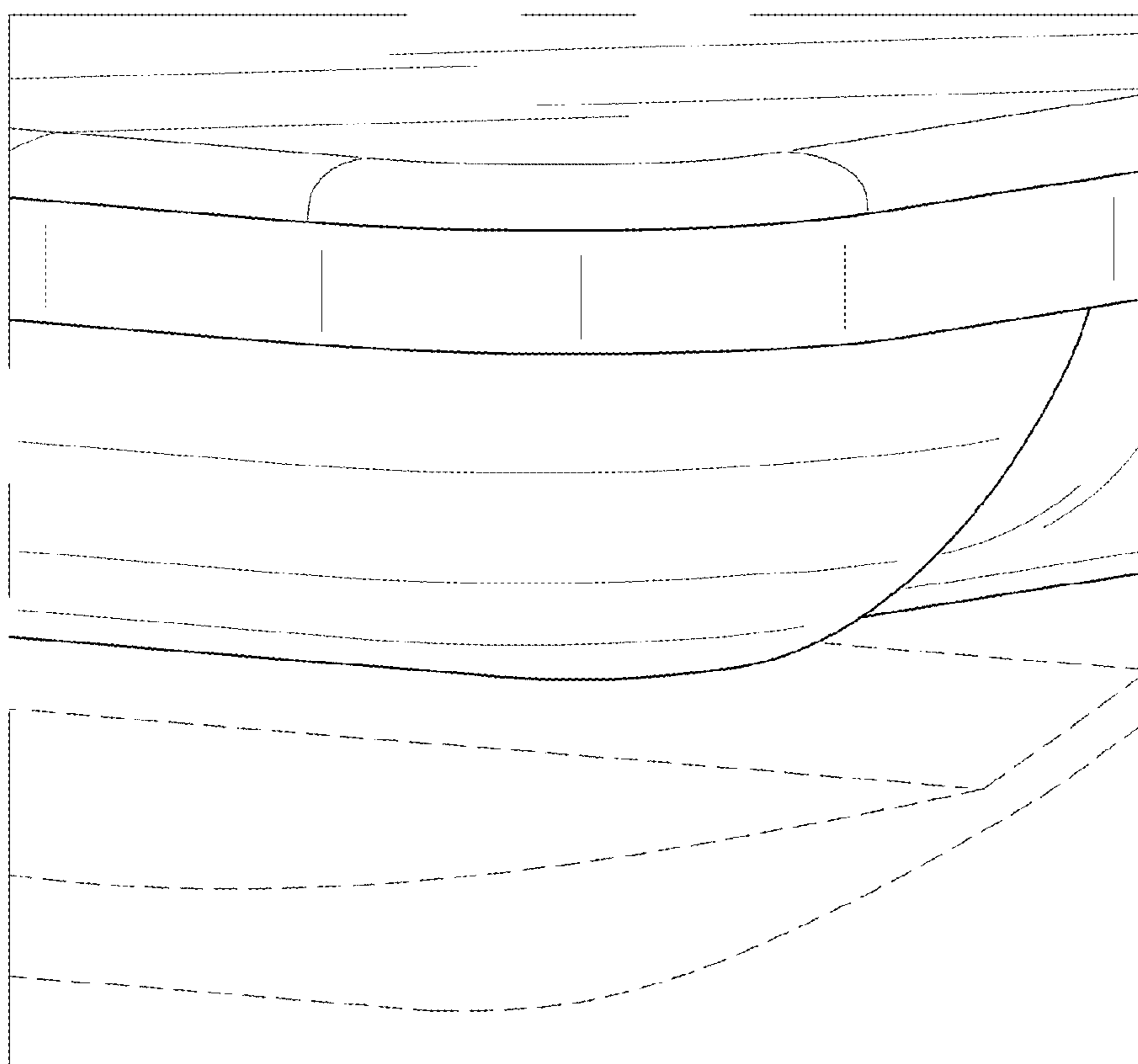


FIG. 28

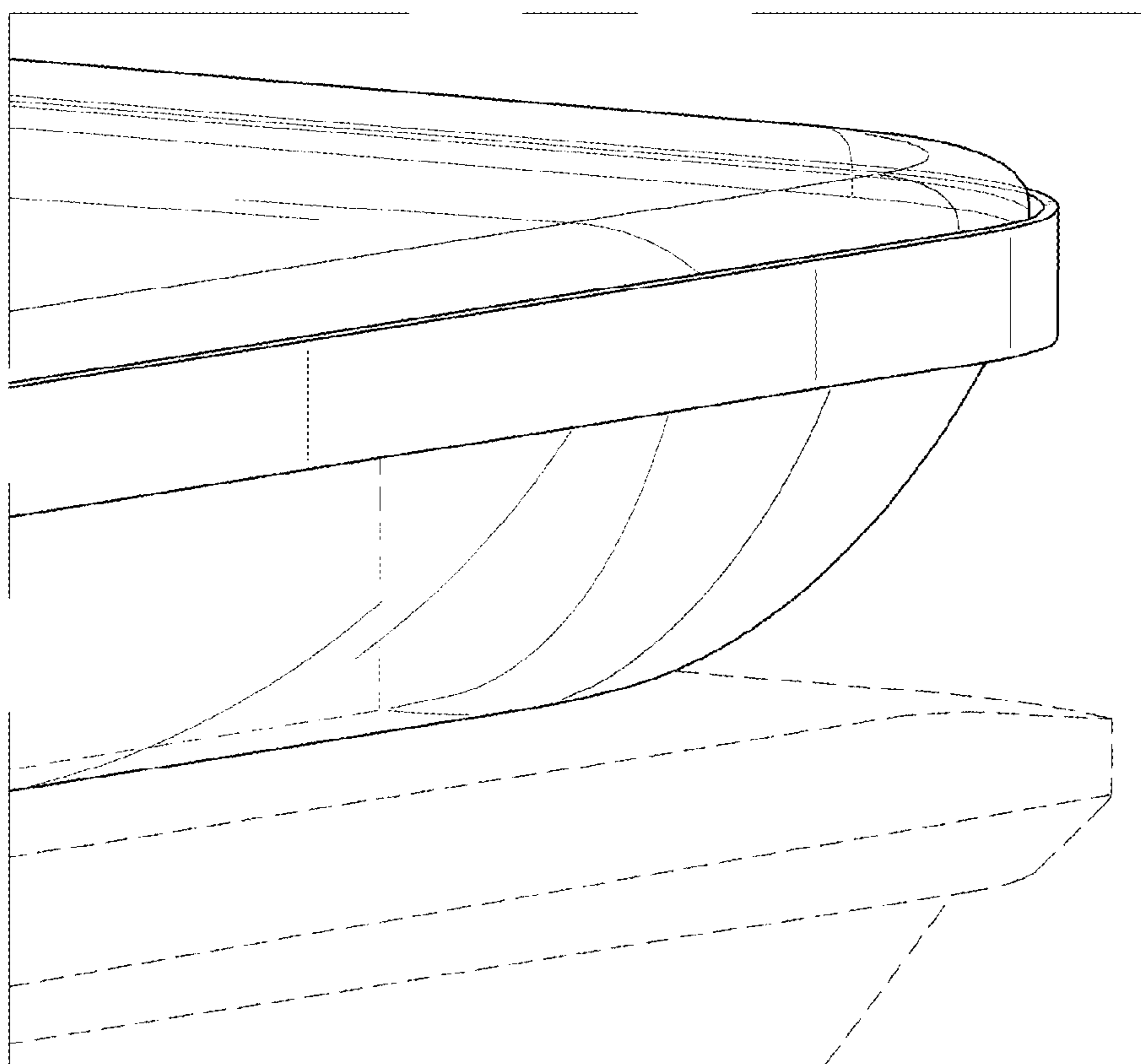


FIG. 29

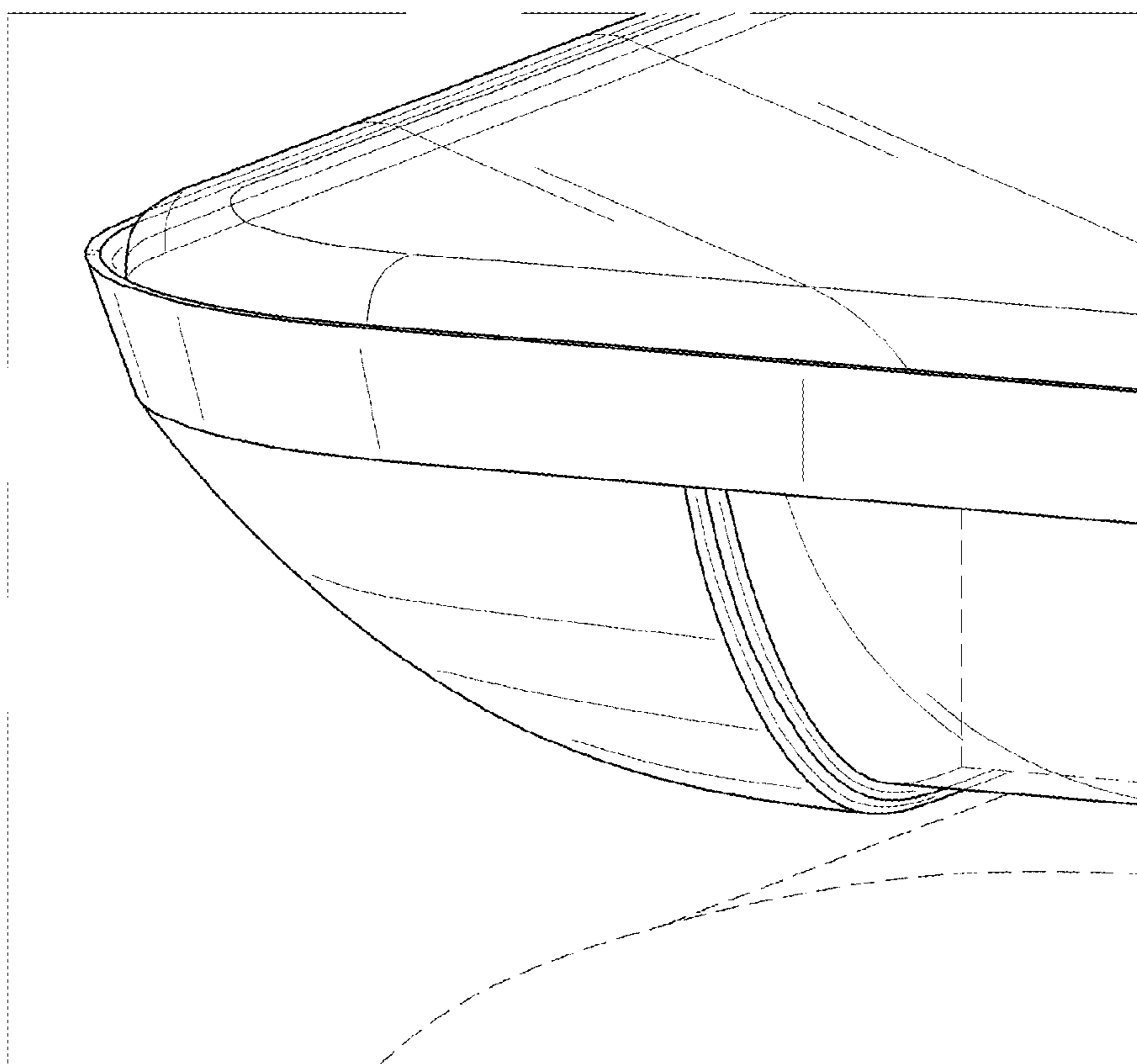


FIG. 30

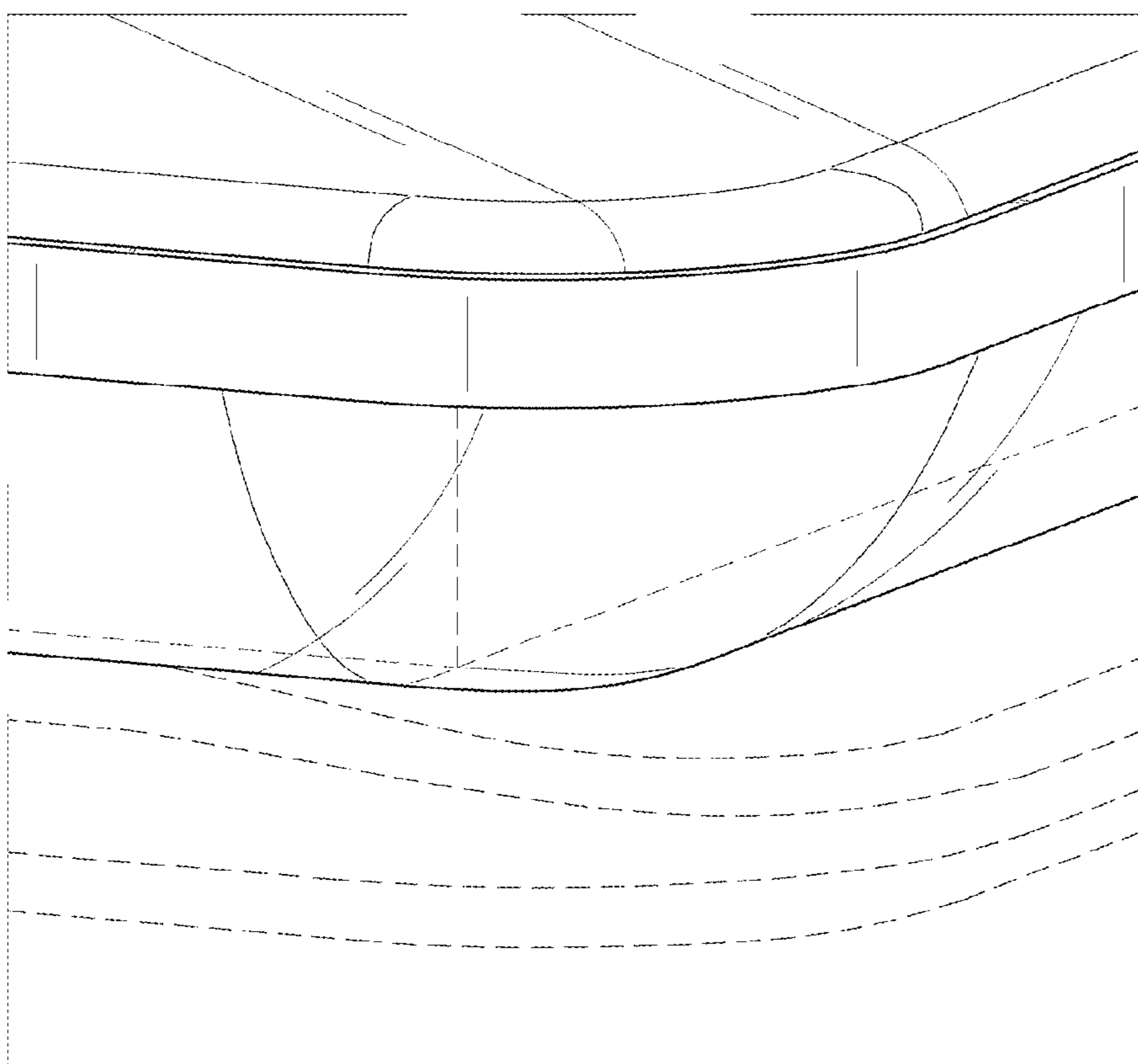


FIG. 31