



US00D947171S

(12) **United States Design Patent**  
**Khoeun**

(10) **Patent No.:** **US D947,171 S**  
(45) **Date of Patent:** **\*\* Mar. 29, 2022**

(54) **AUTO STEREO MOUNTING DEVICE**

(71) Applicant: **Metra Electronics Corporation**, Holly Hill, FL (US)

(72) Inventor: **Pieckdey Khoeun**, Holly Hill, FL (US)

(73) Assignee: **Metra Electronics Corporation**, Holly Hill, FL (US)

(\*\*) Term: **15 Years**

(21) Appl. No.: **29/724,729**

(22) Filed: **Feb. 19, 2020**

(51) **LOC (13) Cl.** ..... **14-01**

(52) **U.S. Cl.**  
USPC ..... **D14/258**

(58) **Field of Classification Search**  
USPC ..... D12/190, 192, 195; D14/155–159,  
D14/160–173, 187–188, 189–198,  
D14/203.1–203.8, 204–216, 217–222,  
D14/225–229, 257–258, 496, 498–506  
CPC ..... H04R 1/02; H04R 1/021; H04R 1/025;  
H04R 1/026; H04R 1/028; H04R 1/06;  
H04R 1/105; H04R 1/323; H04R 1/403;  
H04R 1/2803; H04R 1/2834; B60R  
11/02; B60K 37/04; B60K 37/06  
See application file for complete search history.

(56) **References Cited**

**U.S. PATENT DOCUMENTS**

D497,336 S	*	10/2004	James	.....	D12/192
D556,731 S	*	12/2007	Hagstrom	.....	D14/167
D668,187 S	*	10/2012	McCoy	.....	D12/159
D683,277 S	*	5/2013	McCoy	.....	D12/161
D909,618 S	*	2/2021	Zhao	.....	D25/121
2017/0294933 A1	*	10/2017	Graham	.....	H04B 1/3877
2018/0072238 A1	*	3/2018	Tyrer	.....	B62D 1/10

**FOREIGN PATENT DOCUMENTS**

CN	306027345	*	9/2020
KR	301100731.0000	*	3/2021
KR	301102845.0000	*	4/2021

**OTHER PUBLICATIONS**

Metra 95-7618G, date first available: Dec. 7, 2013, [retrieved Dec. 28, 2021], Retrieved from Internet, URL: <https://www.amazon.com/Metra-95-7618G-Double-Installation-2013-Up/dp/B00EIEYSBQ/ref=sr\_1\_17\_mod\_primary\_new?keywords=Metra+Electronic%E2%80%A6> (Year: 2013).\*

Metra Electronics, date first available: Nov. 5, 2013, [retrieved Dec. 28, 2021], Retrieved from Internet, URL: <https://www.amazon.com/Metra-Electronics-95-7877B-Double-DIN-2009-13/dp/B00EDUGKKC/ref=sr\_1\_81?keywords=Metra+Electronics&qid=16407%E2%80%A6> (Year: 2013).\*

Metra Electronics 99-3309B-LC, date first available: Dec. 7, 2013, [retrieved Dec. 28, 2021], Retrieved from Internet, URL: <https://www.amazon.com/Metra-99-3309B-LC-Single-Installation-2013-Up/dp/B00DLEY9VI?th=1> (Year: 2013).\*

(Continued)

*Primary Examiner* — Barbara Fox

*Assistant Examiner* — Aram Kwon

(74) *Attorney, Agent, or Firm* — J. Wiley Horton

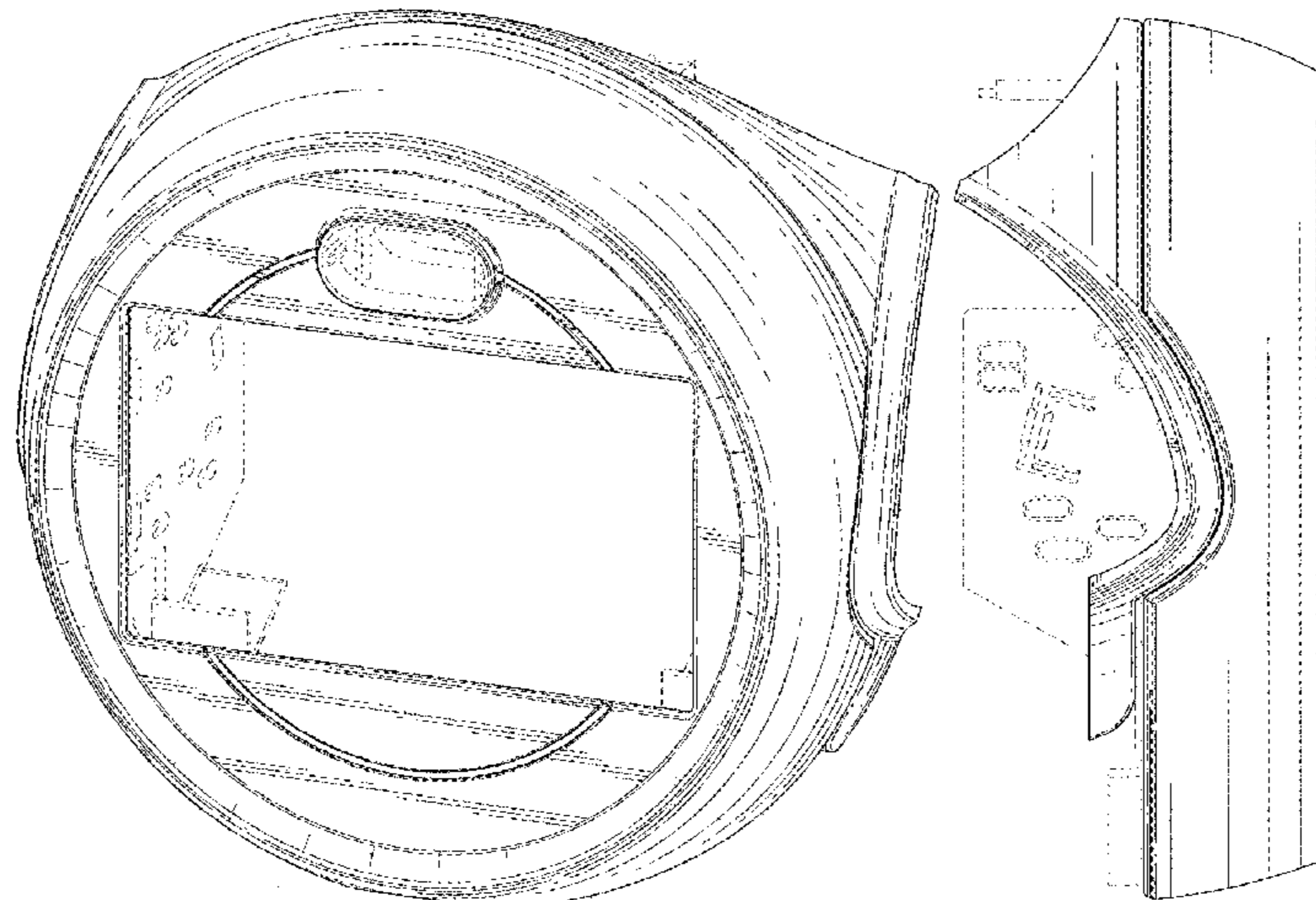
(57) **CLAIM**

The ornamental design for an “auto stereo mounting device,” as shown and described.

**DESCRIPTION**

FIG. 1 is a perspective view of an auto stereo mounting device, showing my design;  
FIG. 2 is a front elevation view of FIG. 1;  
FIG. 3 is a rear elevation view of FIG. 1;  
FIG. 4 is a left side elevation view of FIG. 1;  
FIG. 5 is a right side elevation view of FIG. 1;  
FIG. 6 is a top plan view of FIG. 1; and,  
FIG. 7 is a bottom plan view of FIG. 1.  
The broken lines shown in all views illustrate mounting features which form no part of the claimed design.

**1 Claim, 7 Drawing Sheets**



(56)

**References Cited**

OTHER PUBLICATIONS

Clarion GR10BT Marine USB/MP3/WMA/BT Receiver, date not available, [retrieved Dec. 28, 2021], Retrieved from Internet, URL: <<https://creativeaudio.net/clarionbd1200811-08/>> (Year: 2021).\*

\* cited by examiner

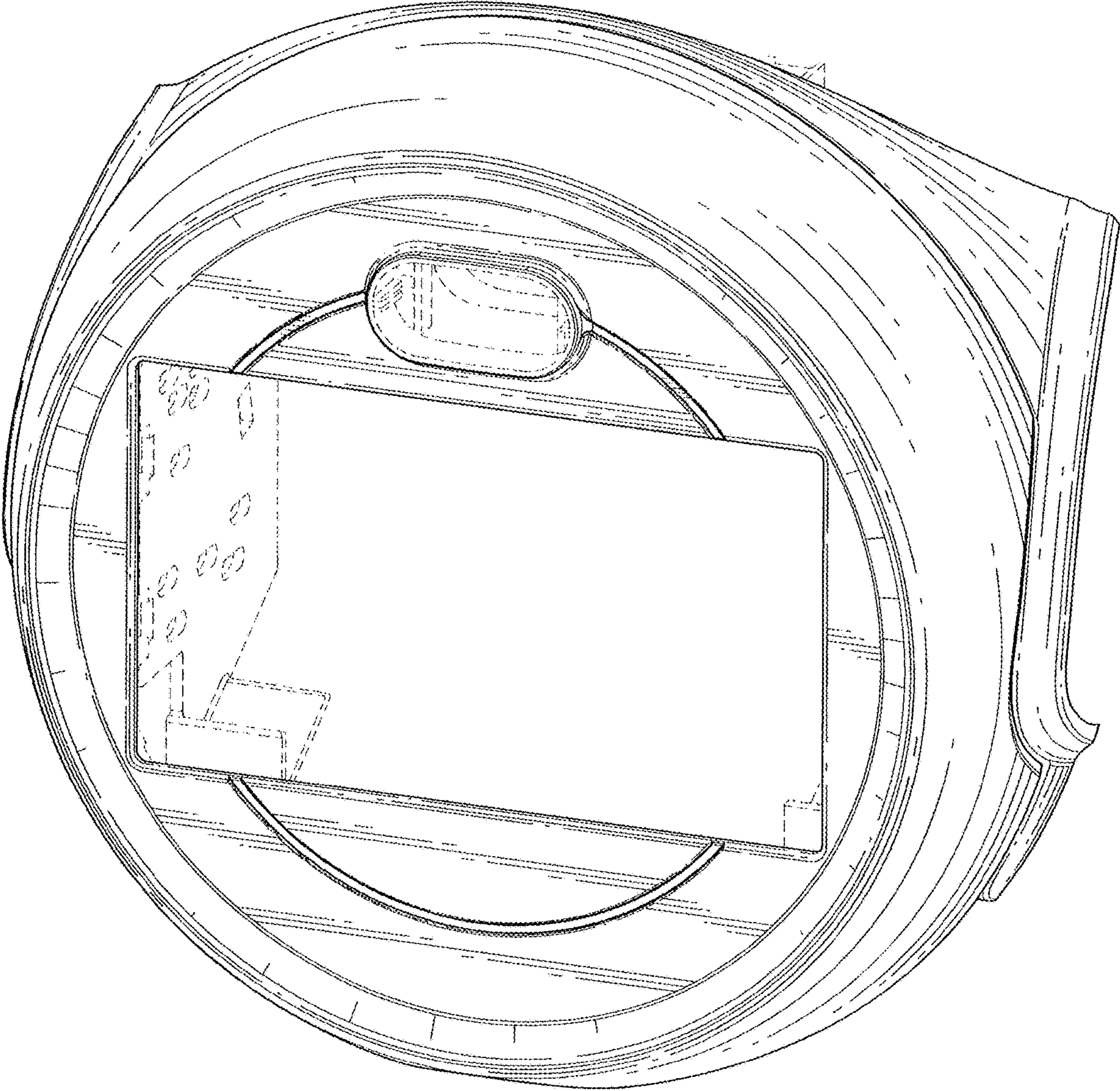


FIG. 1

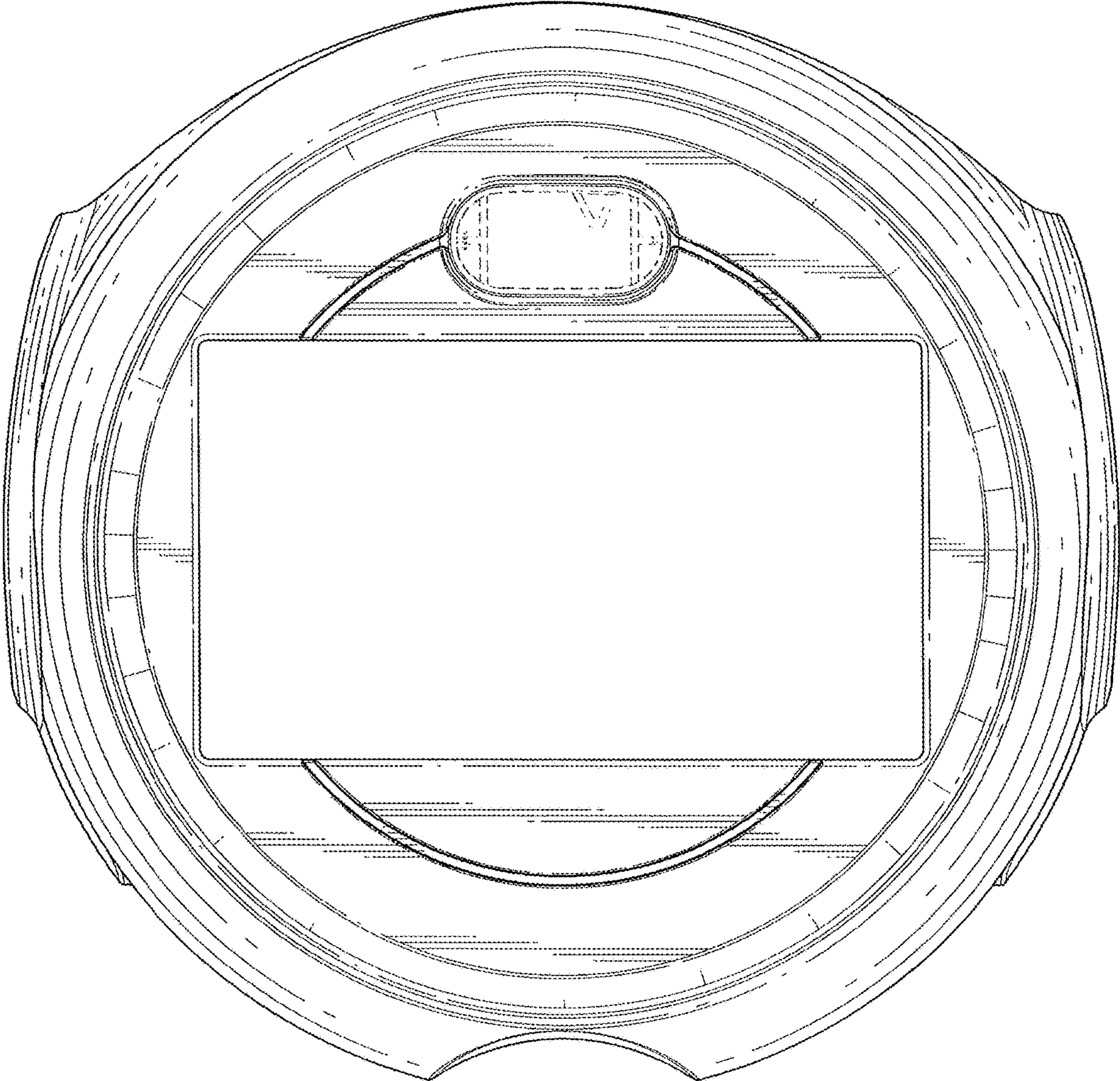


FIG. 2

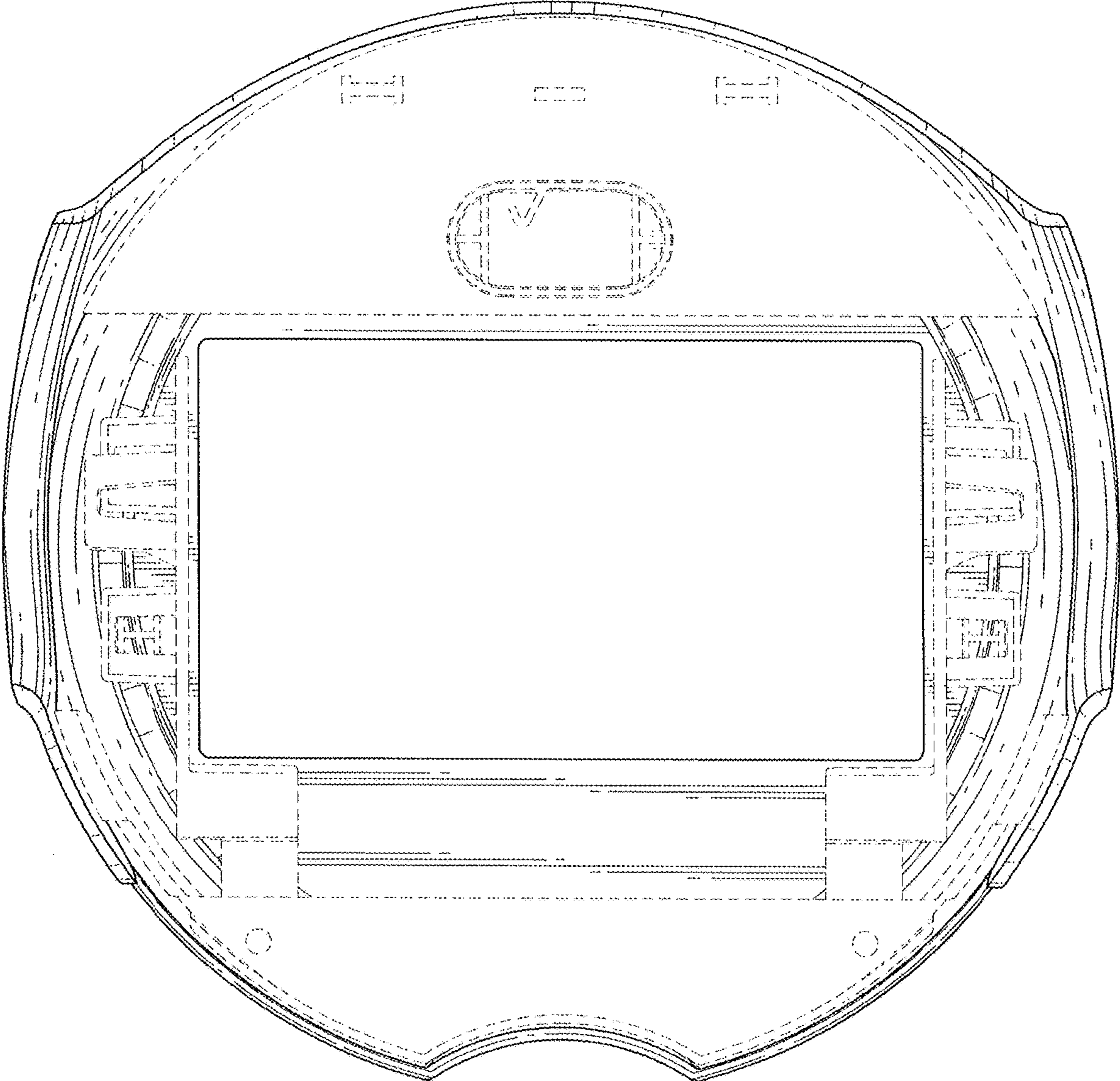


FIG. 3

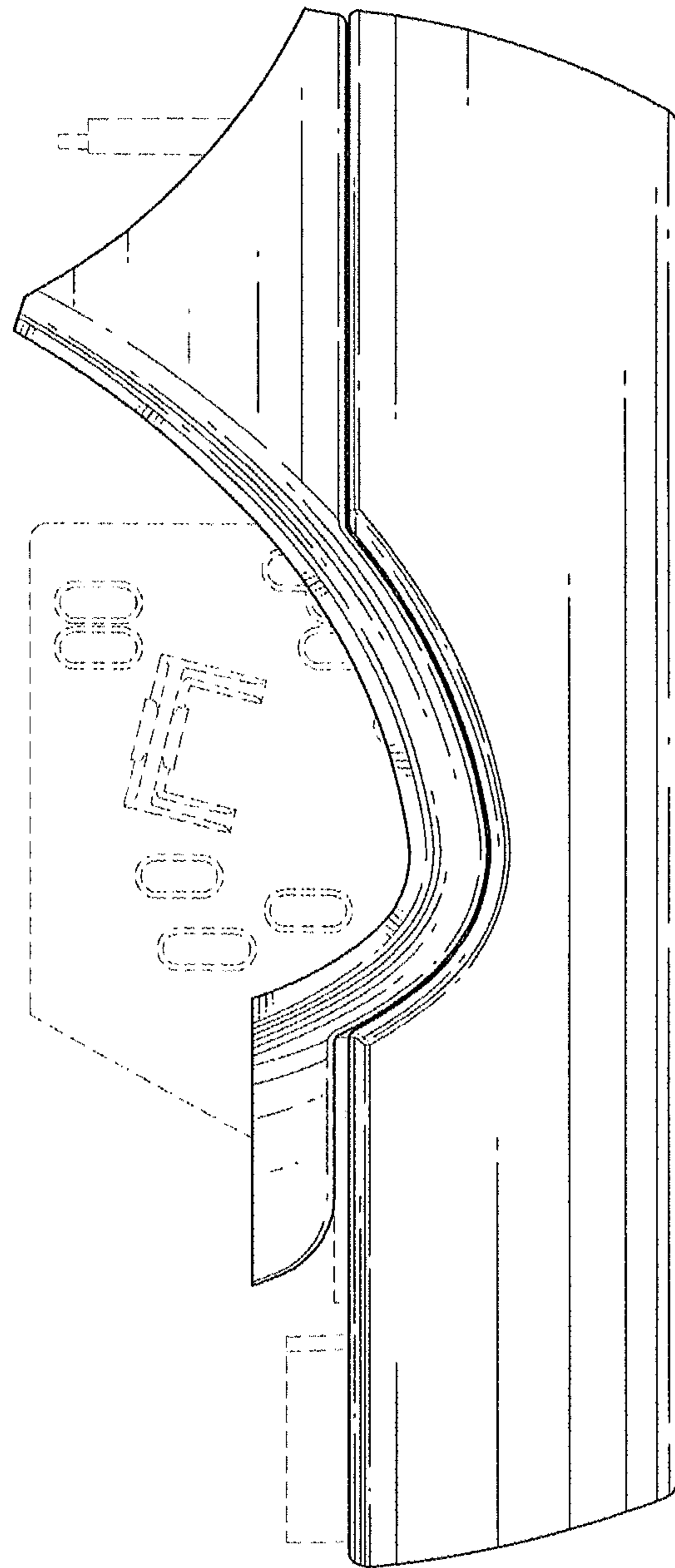


FIG. 4

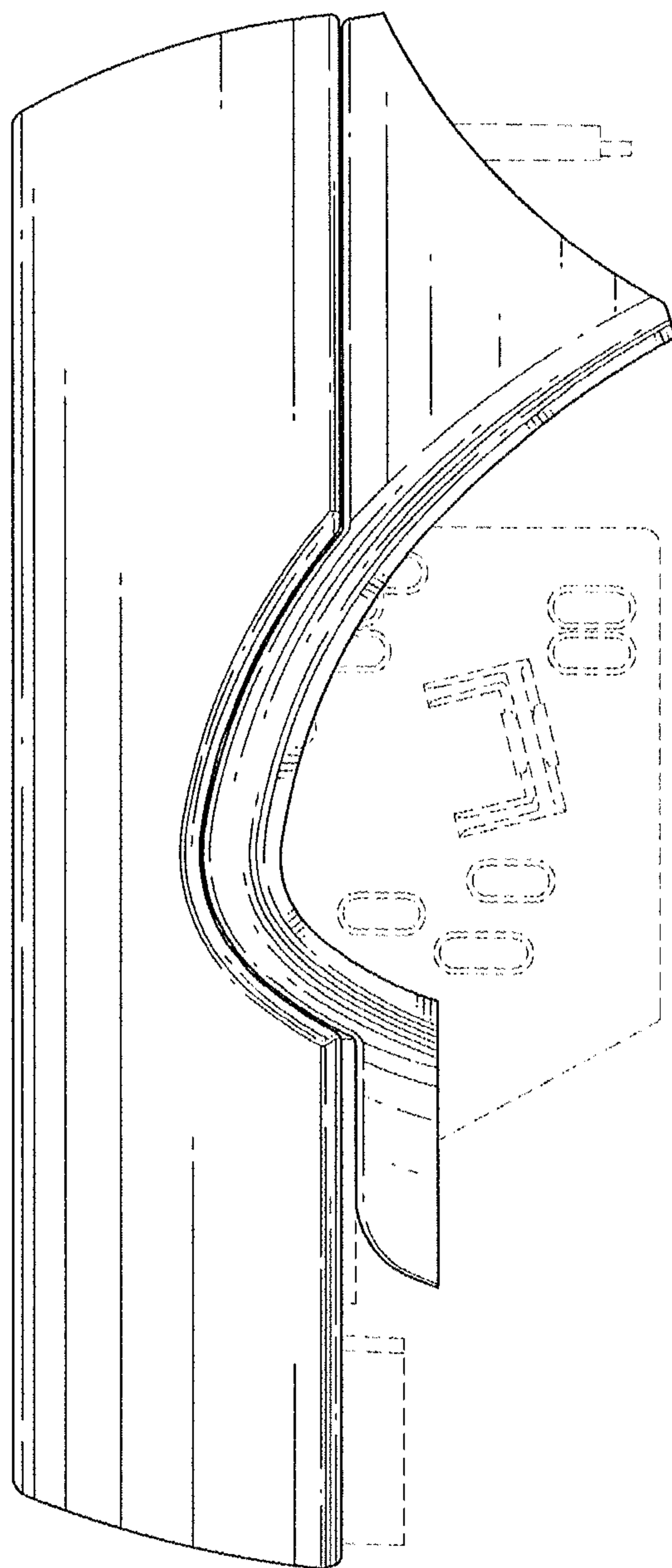


FIG. 5

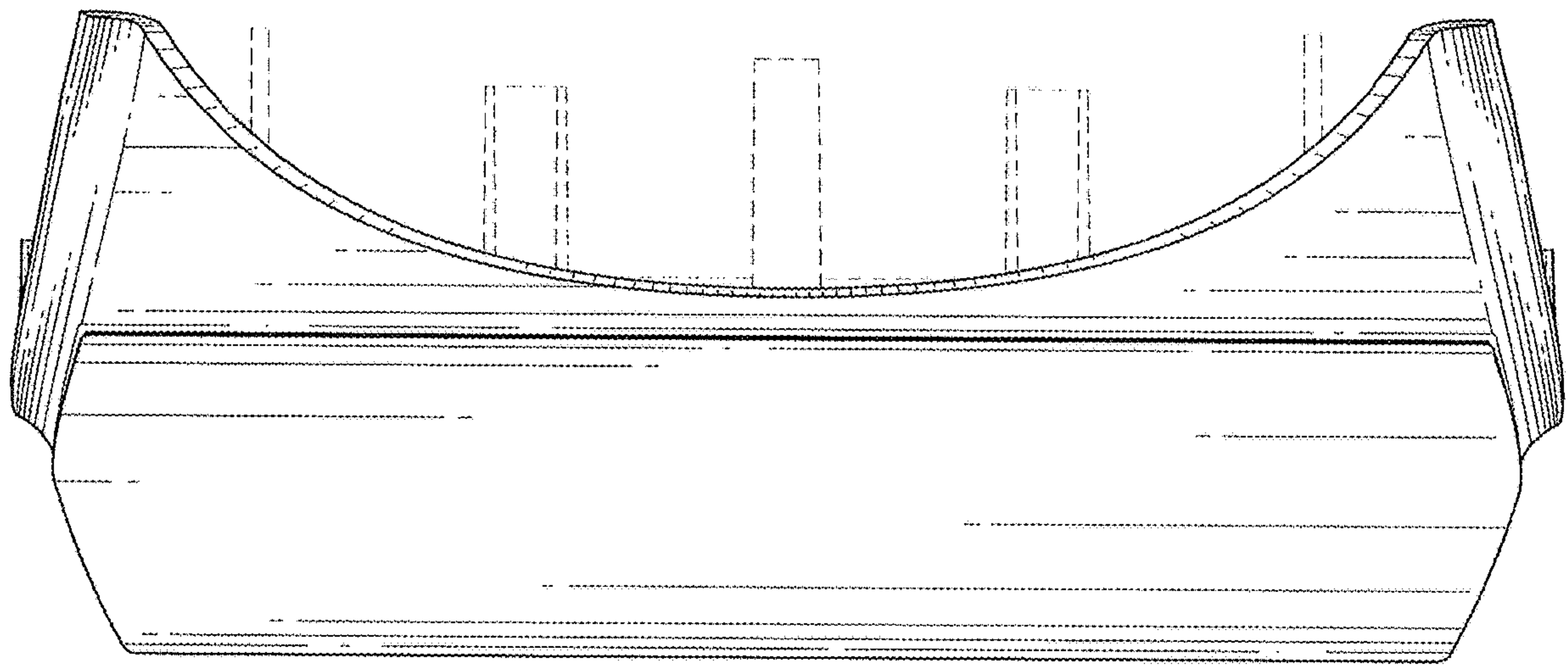


FIG. 6



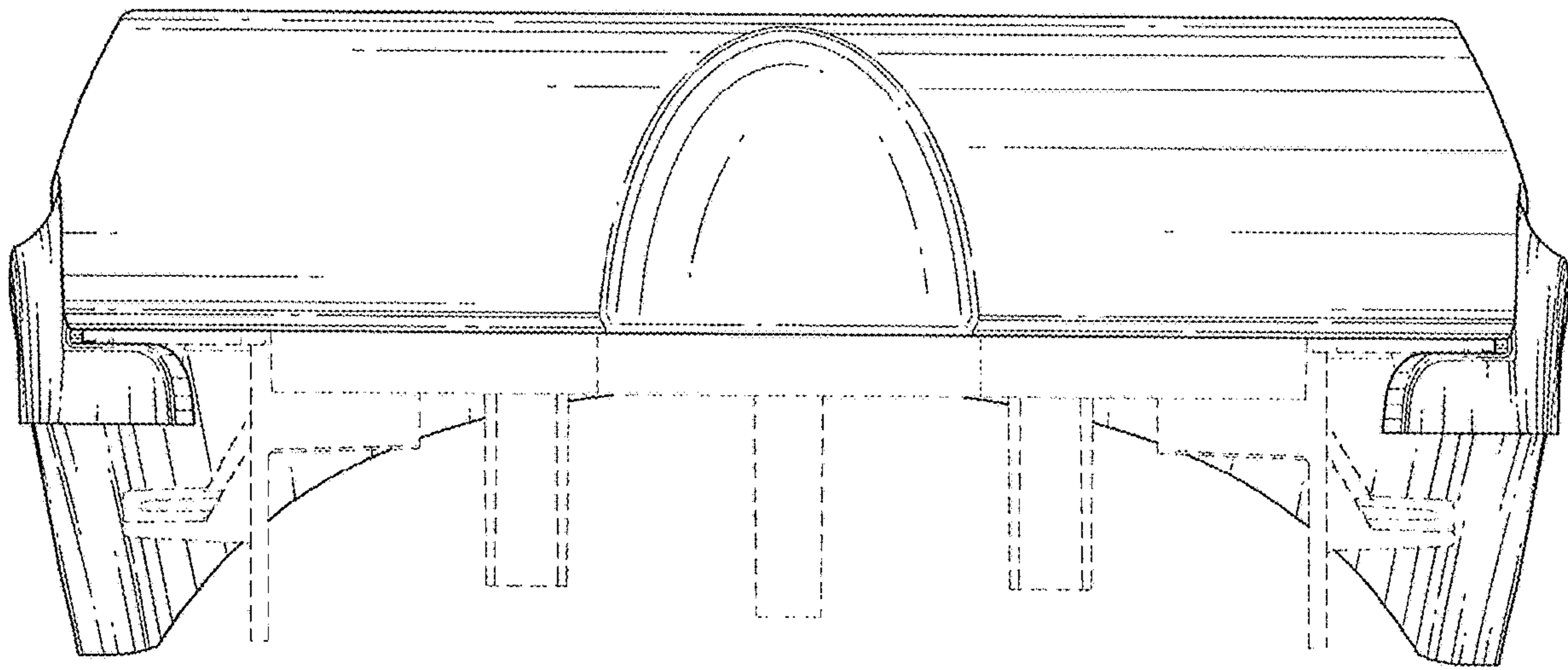


FIG. 7