



US00D947168S

(12) **United States Design Patent**
Jiao

(10) **Patent No.:** **US D947,168 S**

(45) **Date of Patent:** **** Mar. 29, 2022**

(54) **PHONE MOUNT**

(71) Applicant: **SHENZHEN HEALTHWELL TECHNOLOGY CO., LTD**, Shenzhen (CN)

(72) Inventor: **Jianpo Jiao**, Shenzhen (CN)

(73) Assignee: **SHENZHEN HEALTHWELL TECHNOLOGY CO., LTD**, Shenzhen (CN)

(**) Term: **15 Years**

(21) Appl. No.: **29/740,410**

(22) Filed: **Jul. 3, 2020**

(51) **LOC (13) Cl.** **14-99**

(52) **U.S. Cl.**
USPC **D14/253**

(58) **Field of Classification Search**
USPC D14/251-253, 224, 224.1, 432-434, 447, D14/451, 452; D12/415, 426.1, 223, 406, D12/407; D16/242, 244, 245; D3/218; D13/108
CPC B60R 11/00; B60R 11/02; B60R 11/0241; B60R 11/0252; B60R 2011/0003; B60R 2011/0005; B60R 2011/0008; H04M 1/04; F16M 11/00; F16M 11/04; F16M 11/041; F16M 11/06; H05K 5/0204
See application file for complete search history.

(56) **References Cited**

U.S. PATENT DOCUMENTS

D688,656 S * 8/2013 Avrahami D14/253
D821,743 S * 7/2018 Cao D3/218
D863,290 S * 10/2019 Ormsbee D14/253

D864,187 S * 10/2019 Vogel D14/253
D881,868 S * 4/2020 Zhang D14/253
D881,869 S * 4/2020 Pan D14/253
D894,168 S * 8/2020 Lou D14/253
D897,332 S * 9/2020 Zhang D14/253
D925,214 S * 7/2021 Jiao D3/218
D931,269 S * 9/2021 Lee D14/250
D936,645 S * 11/2021 Deng D14/253
2015/0201723 A1 * 7/2015 Rayner F16M 11/2021 224/191
2019/0185094 A1 * 6/2019 Vogel F16B 1/00

FOREIGN PATENT DOCUMENTS

EM 006357604-0001 * 4/2019
EM 006852612-0001 * 9/2019

* cited by examiner

Primary Examiner — Rebekah A Caruso

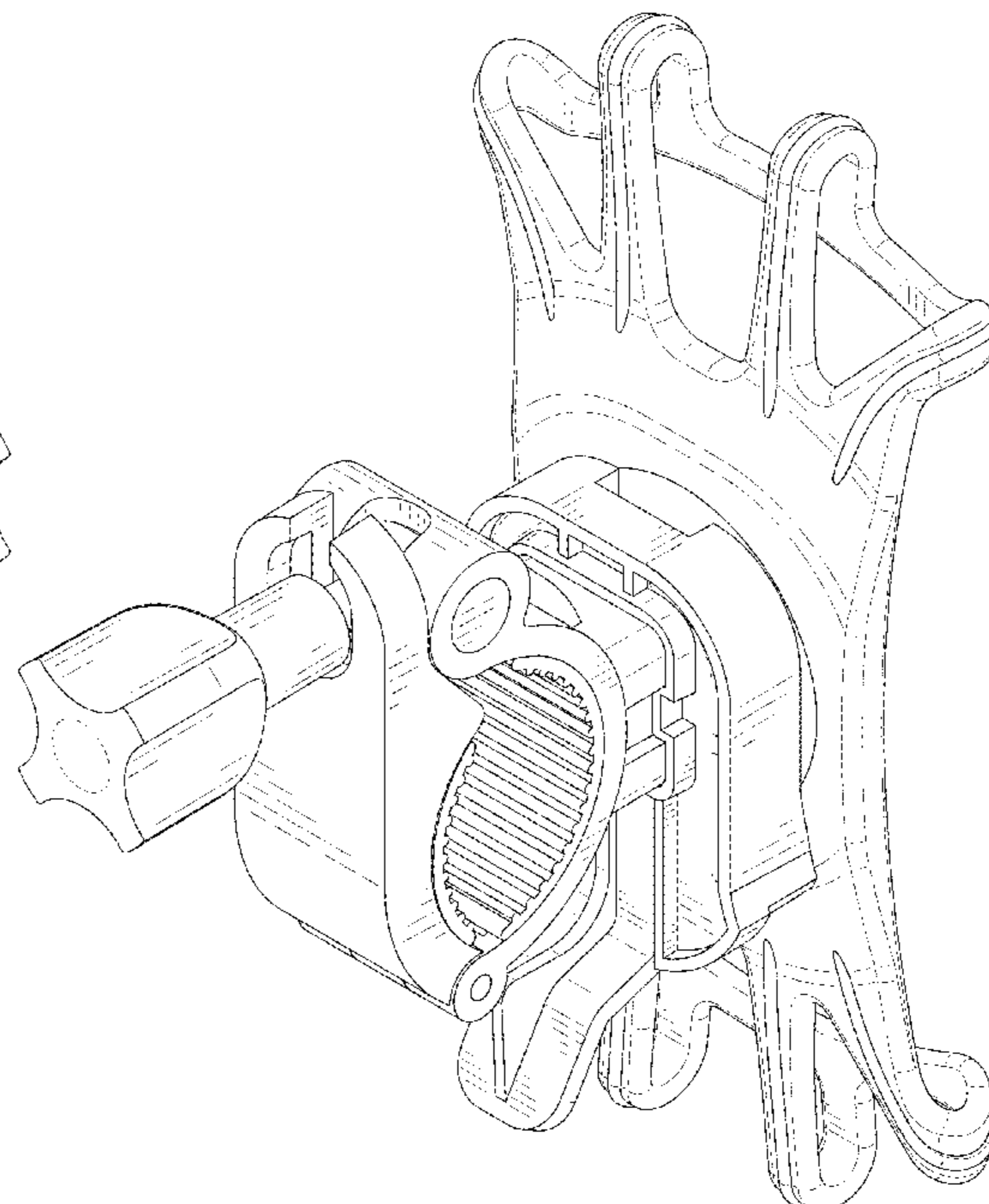
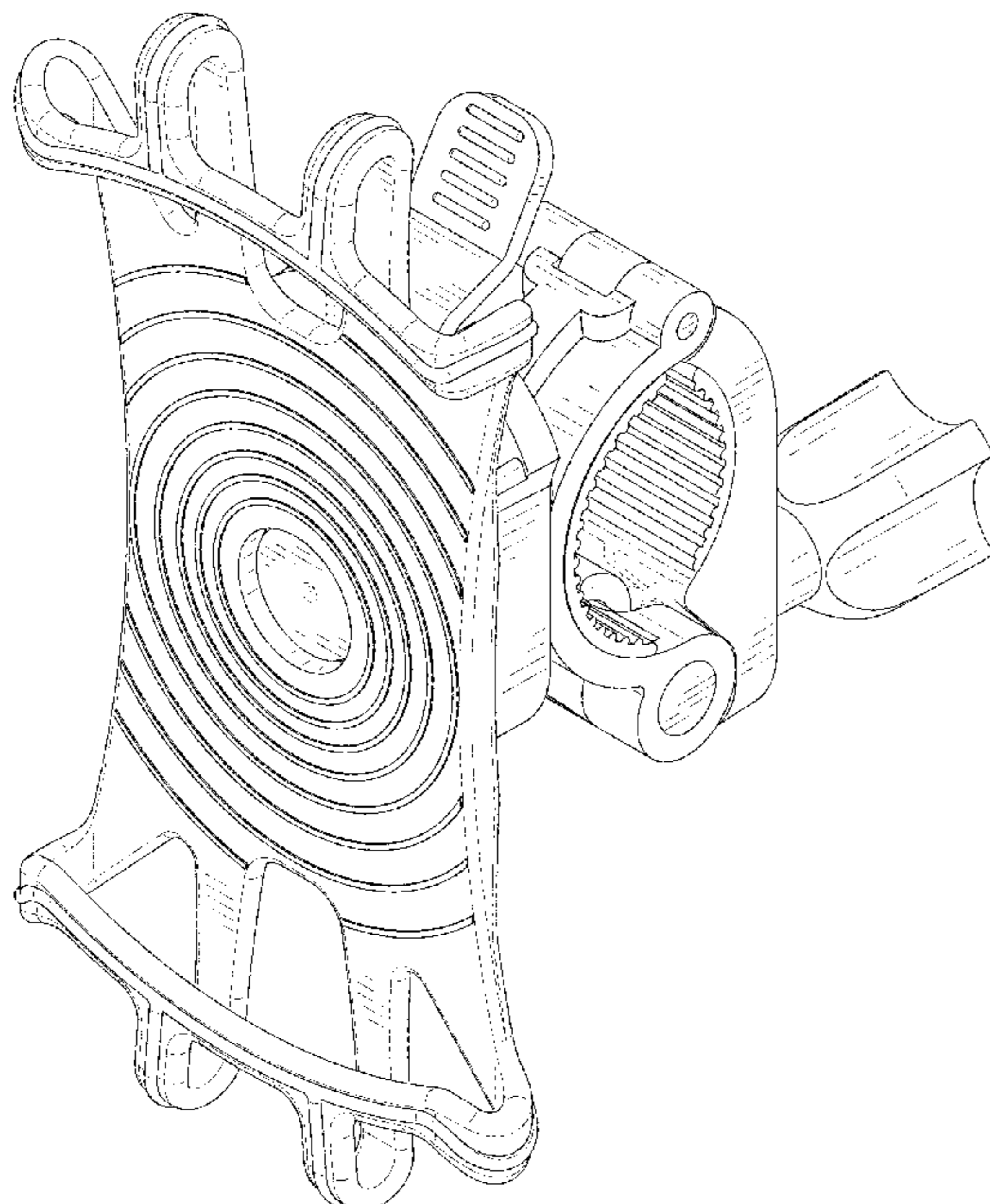
(57) **CLAIM**

The ornamental design for a phone mount, as shown and described.

DESCRIPTION

FIG. 1 is a perspective view of a phone mount showing my new design;
FIG. 2 is another perspective view thereof;
FIG. 3 is a front elevational view thereof;
FIG. 4 is a rear elevational view thereof;
FIG. 5 is a left side elevational view thereof;
FIG. 6 is a right side elevational view thereof;
FIG. 7 is a top plan view thereof;
FIG. 8 is a bottom plan view thereof; and,
FIG. 9 is an exploded perspective view of the phone mount. The broken lines in the drawings depict portions of the phone mount that form no part of the claimed design.

1 Claim, 9 Drawing Sheets



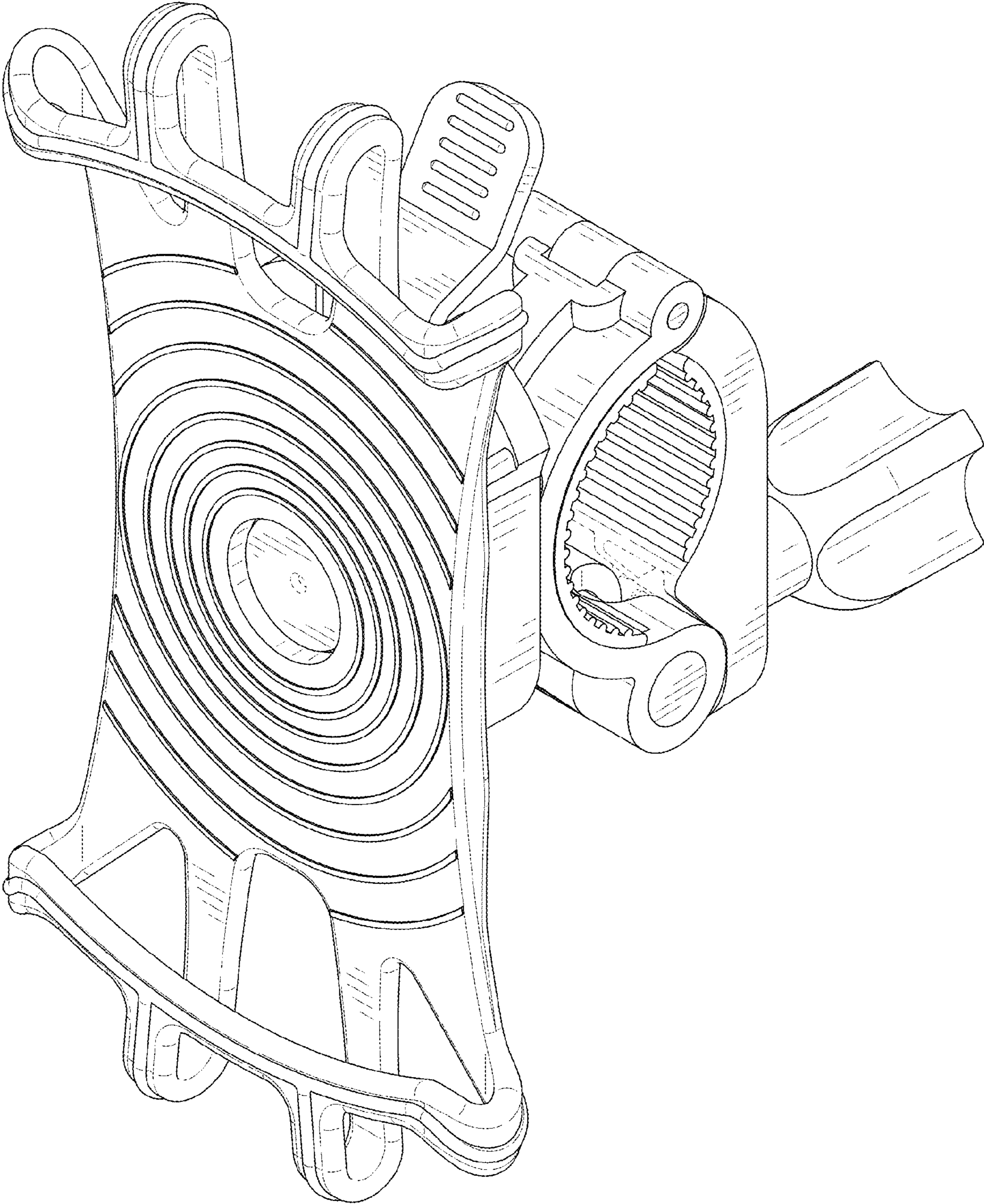


FIG. 1

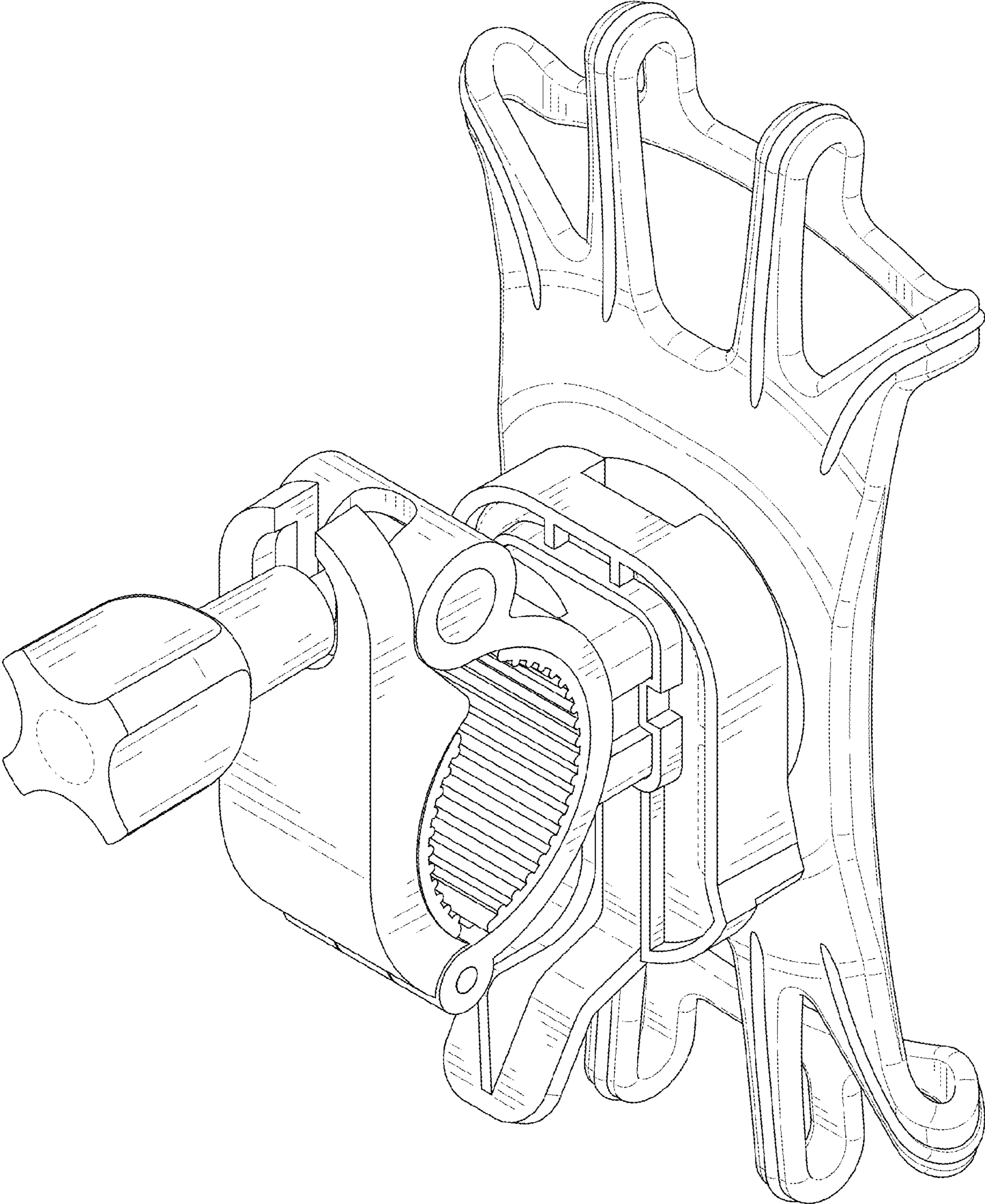


FIG. 2

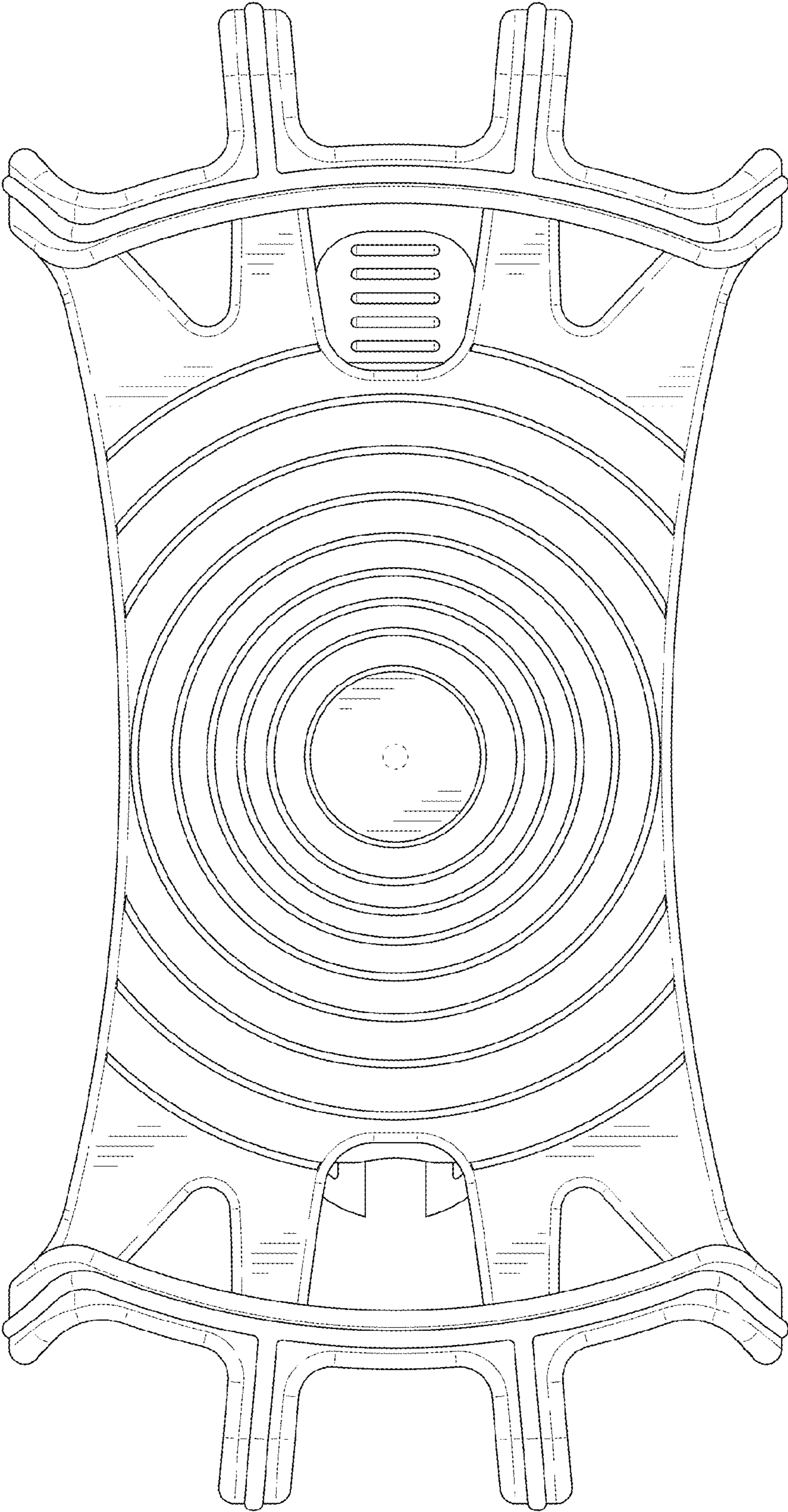


FIG. 3

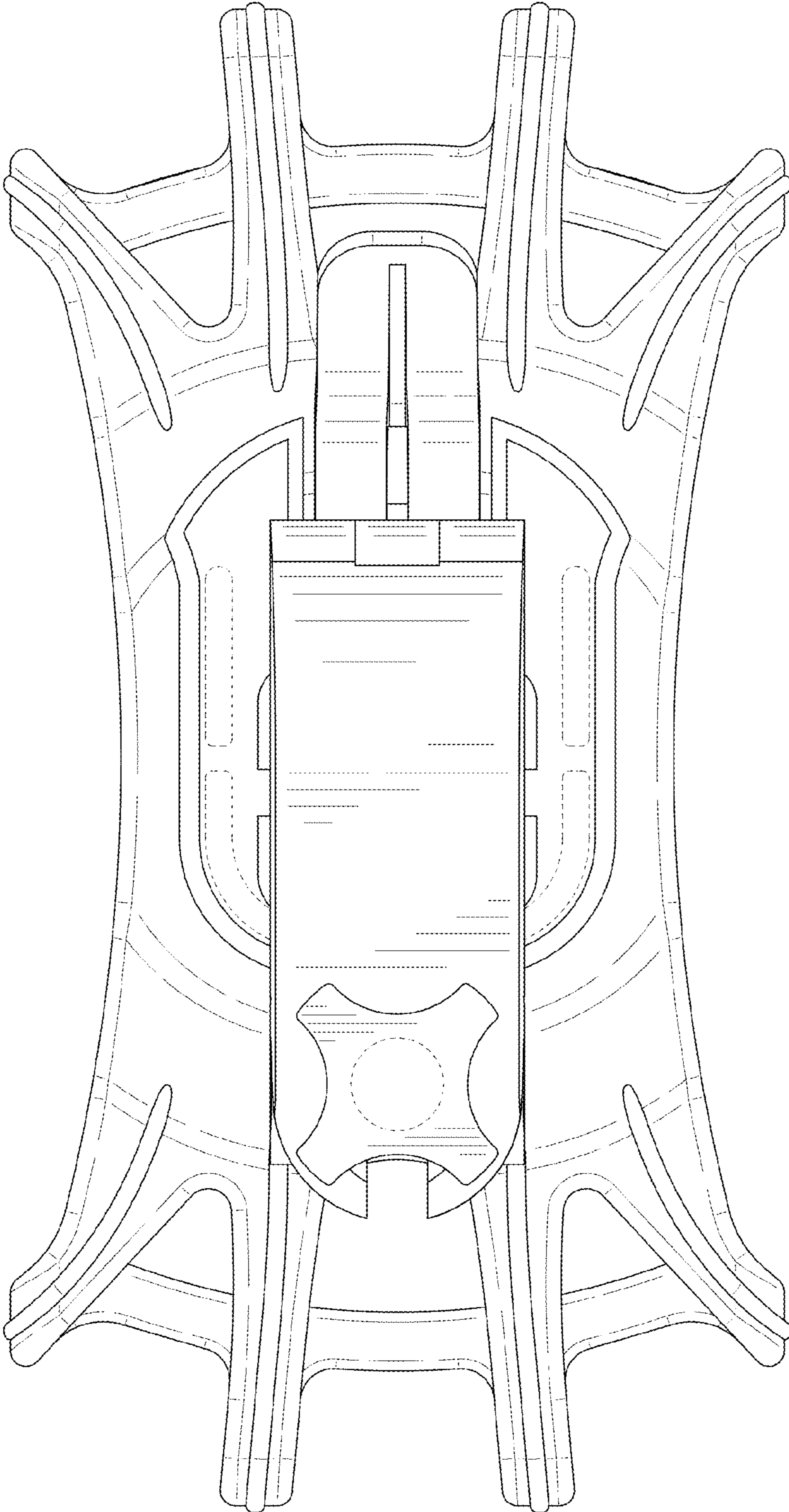


FIG. 4

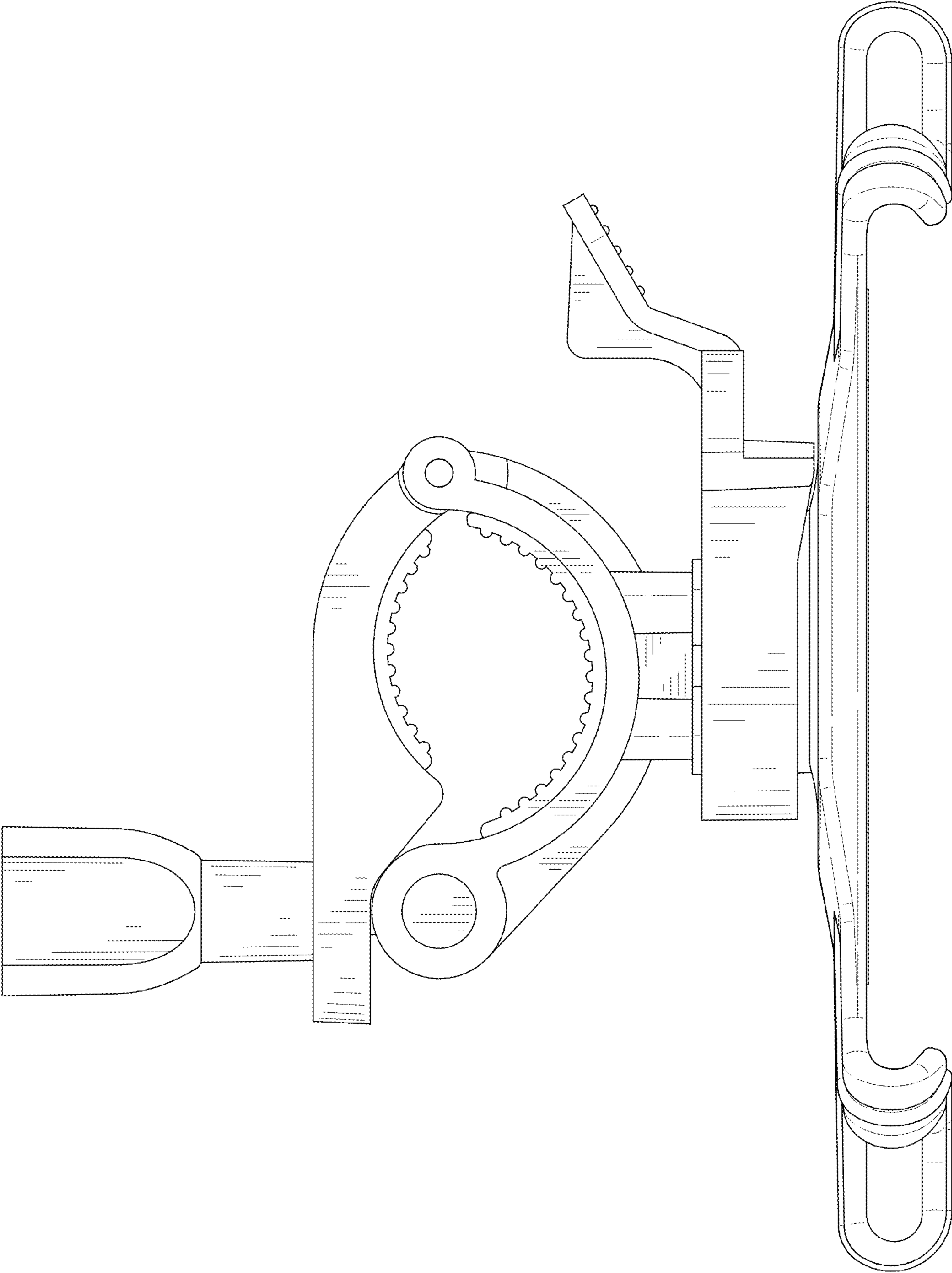


FIG. 5

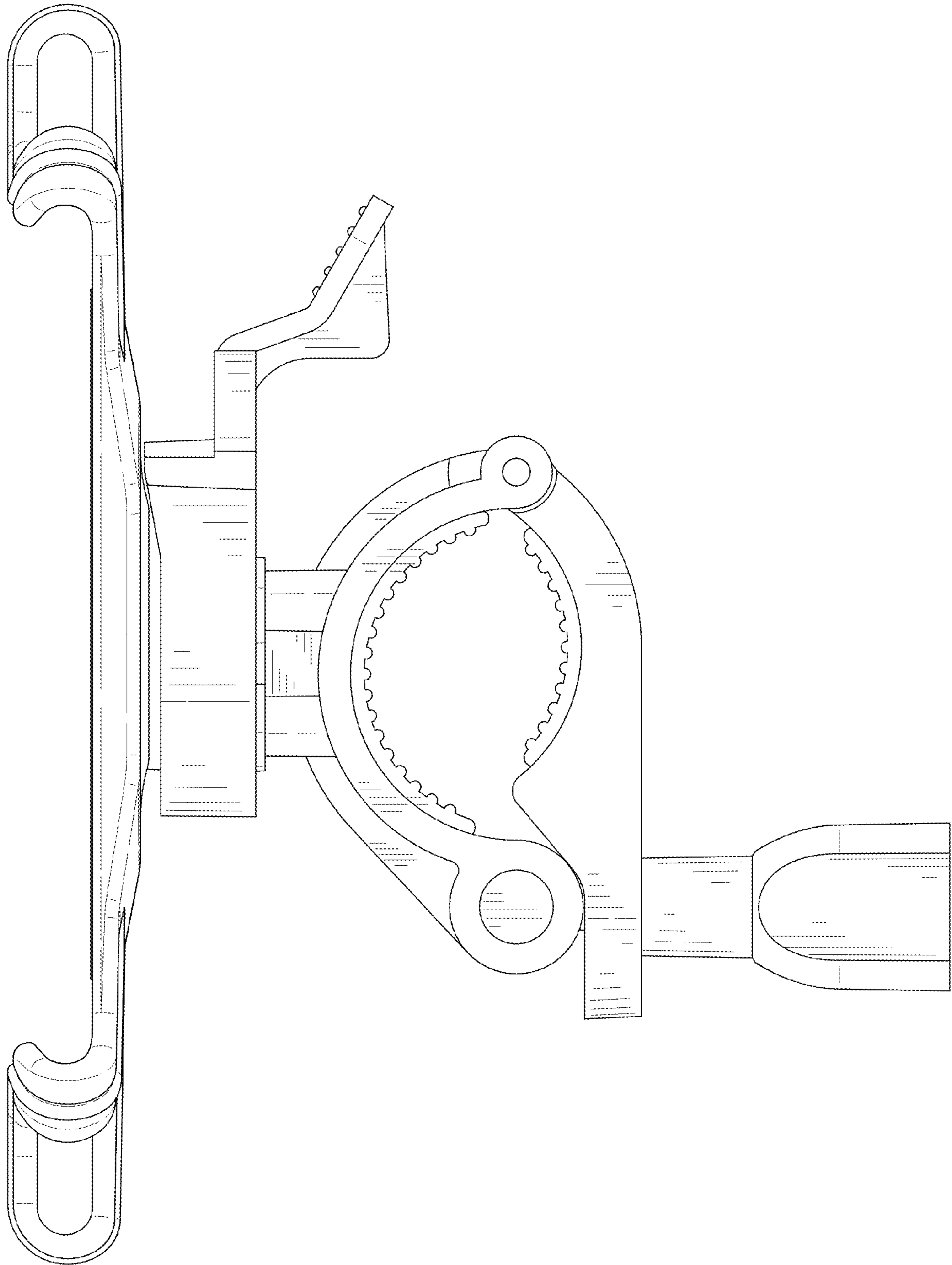


FIG. 6

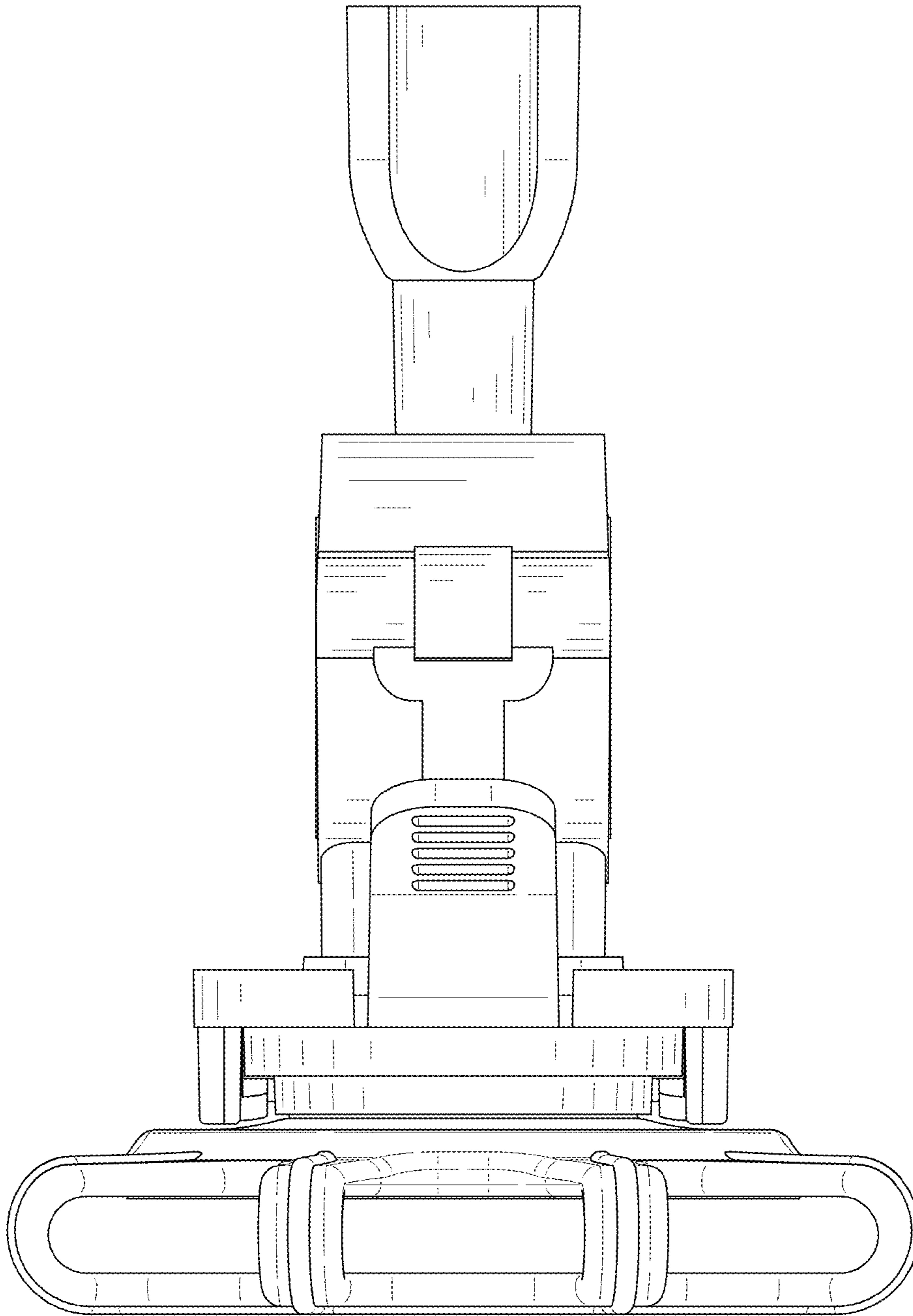


FIG. 7

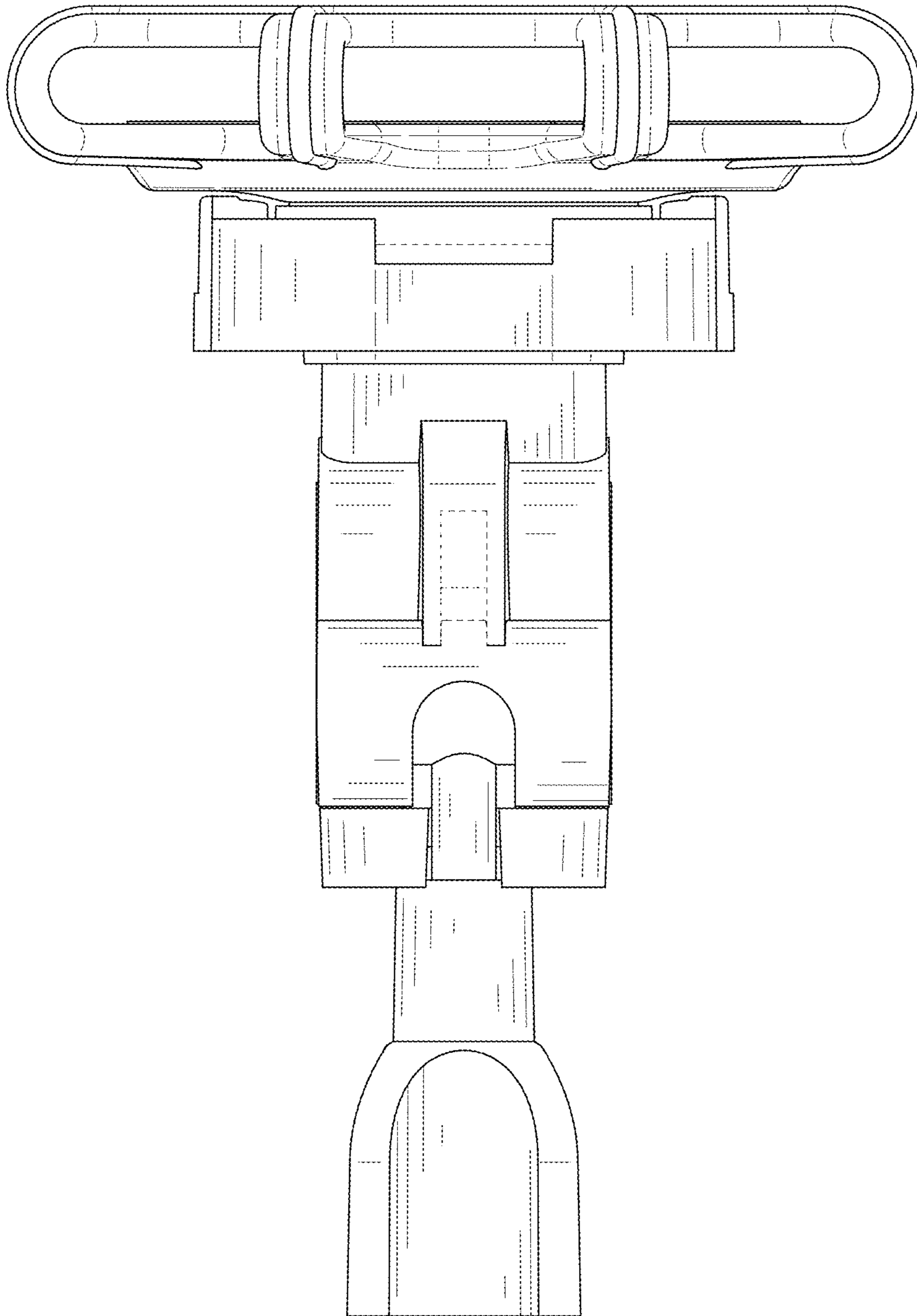


FIG. 8

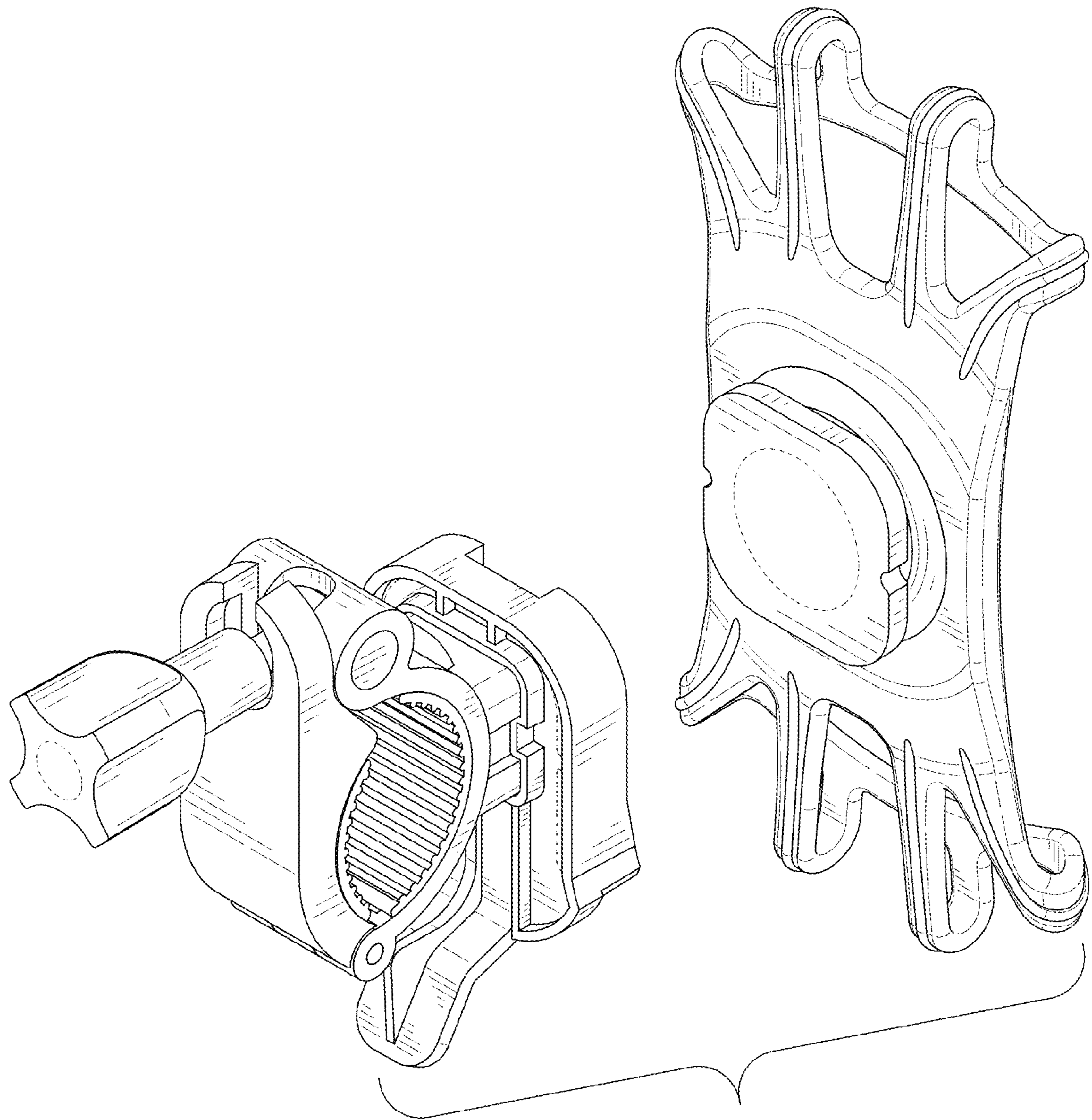


FIG. 9