



US00D947162S

(12) **United States Design Patent**
Chang et al.

(10) **Patent No.:** **US D947,162 S**
(45) **Date of Patent:** **** Mar. 29, 2022**

(54) **ANTENNA**

(71) Applicant: **Airgain Incorporated**, San Diego, CA (US)

(72) Inventors: **Wei Chang**, Zhang Jia Gang (CN); **Bei Zheng**, Zhang Jia Gang (CN); **Jindan Zhao**, Zhang Jia Gang (CN)

(73) Assignee: **Airgain, Inc.**, San Diego, CA (US)

(**) Term: **15 Years**

(21) Appl. No.: **29/643,490**

(22) Filed: **Apr. 9, 2018**

(51) **LOC (13) Cl.** **14-03**

(52) **U.S. Cl.**
USPC **D14/230**

(58) **Field of Classification Search**
USPC D14/230-238, 299, 358
CPC H01Q 7/00; H01Q 13/10; H01Q 9/285;
H01Q 19/30; H01Q 19/12; H01Q 1/38;
H01Q 1/12; H01Q 1/22; H04Q 7/00
See application file for complete search history.

D807,864 S * 1/2018 He D14/230
D821,367 S * 6/2018 Zheng D14/230
D821,368 S * 6/2018 He D14/230
D874,447 S * 2/2020 Howard D14/230
D883,963 S * 5/2020 Chen D14/230
D892,093 S * 8/2020 He D14/230
D900,793 S * 11/2020 Howard D14/230
2005/0017906 A1 * 1/2005 Man H01Q 19/005
343/700 MS
2008/0266202 A1 * 10/2008 Lin H01Q 5/371
343/893
2010/0079350 A1 * 4/2010 Lai H01Q 5/385
343/843
2010/0134358 A1 * 6/2010 Su H01Q 9/42
343/700 MS
2011/0084889 A1 * 4/2011 Tsai H01Q 9/42
343/846

* cited by examiner

Primary Examiner — Mark A Goodwin

Assistant Examiner — Benjamin M Weeks

(74) *Attorney, Agent, or Firm* — Clause Eight; Michael Catania

(57) **CLAIM**

The ornamental design for an antenna, as shown and described.

(56) **References Cited**

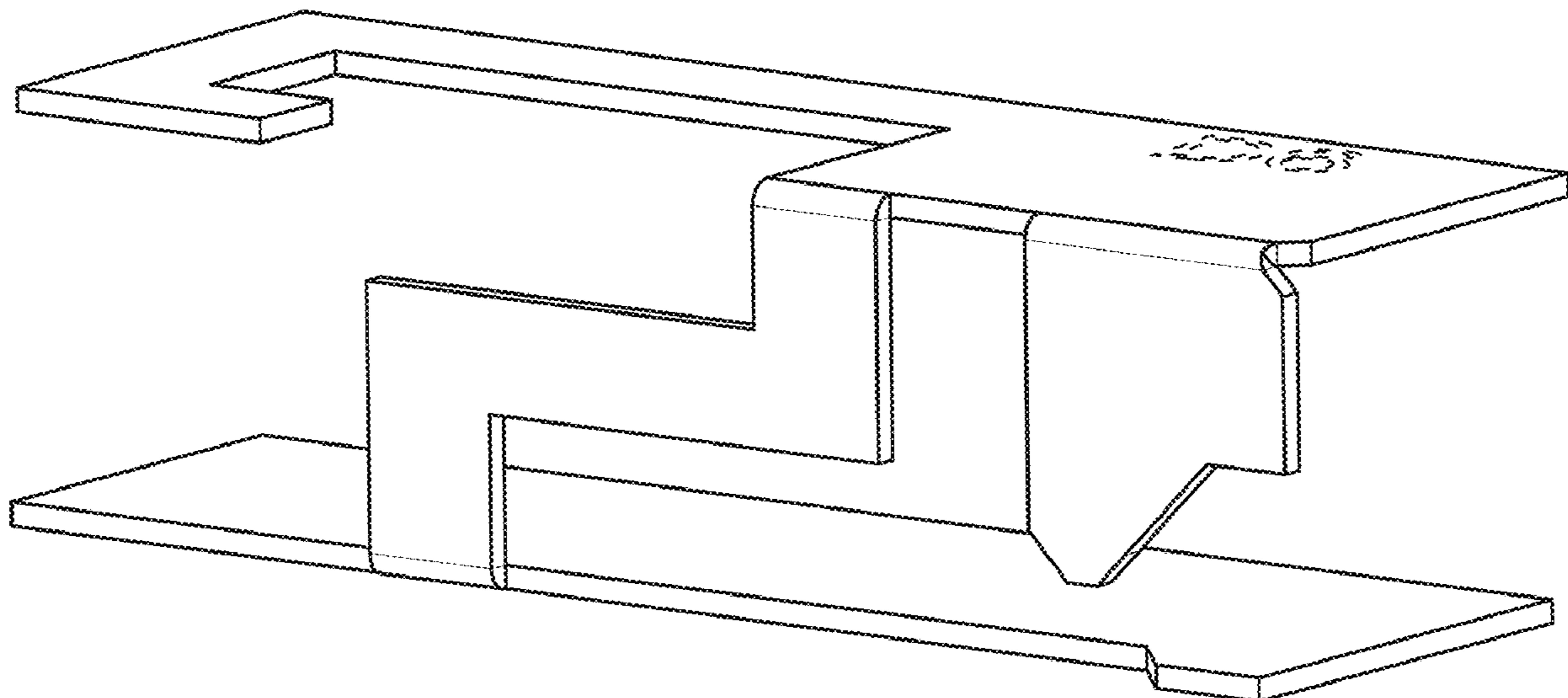
U.S. PATENT DOCUMENTS

D650,370 S * 12/2011 Huang D14/230
D680,103 S * 4/2013 Huang D14/230
D686,600 S * 7/2013 Yang D14/230
D778,883 S * 2/2017 Zheng D14/230
D787,483 S * 5/2017 Forster D14/230
D788,086 S * 5/2017 He D14/230
D792,381 S * 7/2017 He D14/230
D793,998 S * 8/2017 He D14/230
D794,616 S * 8/2017 Gosalia D14/230

DESCRIPTION

FIG. 1 is a top perspective view of an antenna.
FIG. 2 is a top plan view of the antenna of FIG. 1.
FIG. 3 is a front elevation view of the antenna of FIG. 1.
FIG. 4 is a bottom plan view of the antenna of FIG. 1; and,
FIG. 5 is a side elevation view of the antenna of FIG. 1.
The broken line in the figure drawings represents unclaimed environment only and forms no part of the claimed design.

1 Claim, 2 Drawing Sheets



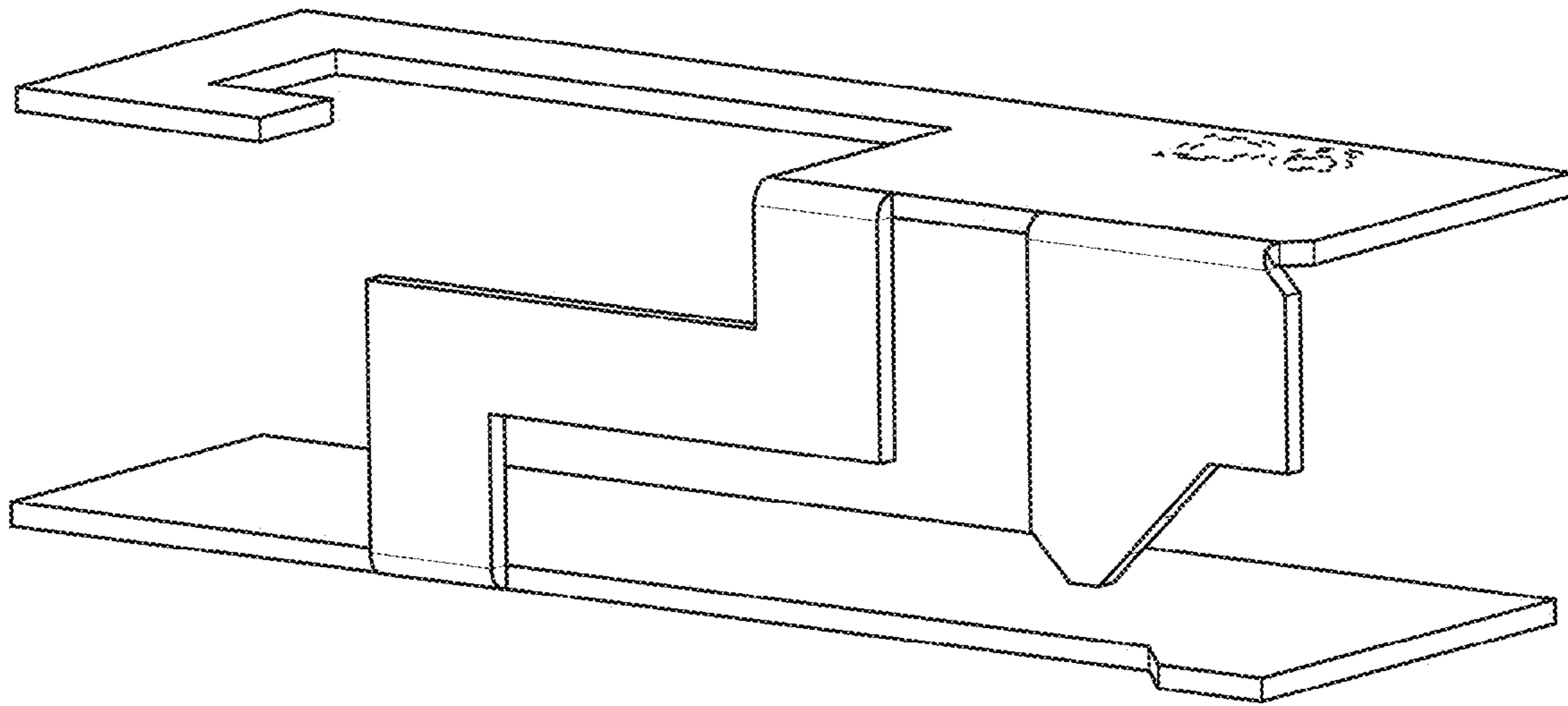


FIG. 1

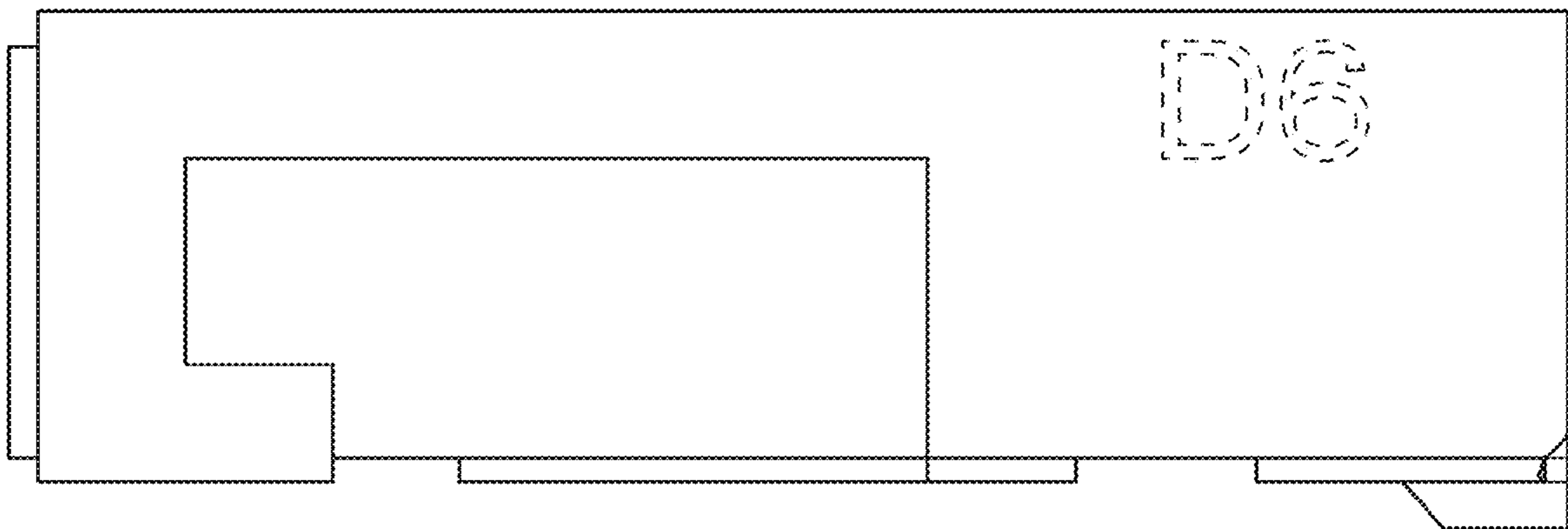


FIG. 2

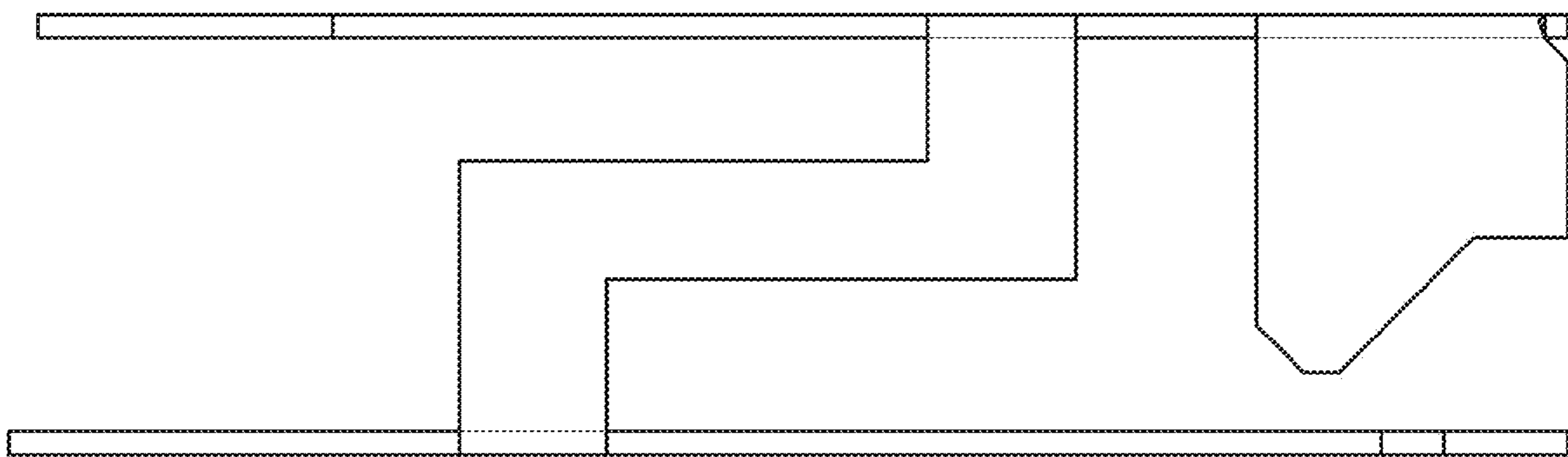


FIG. 3

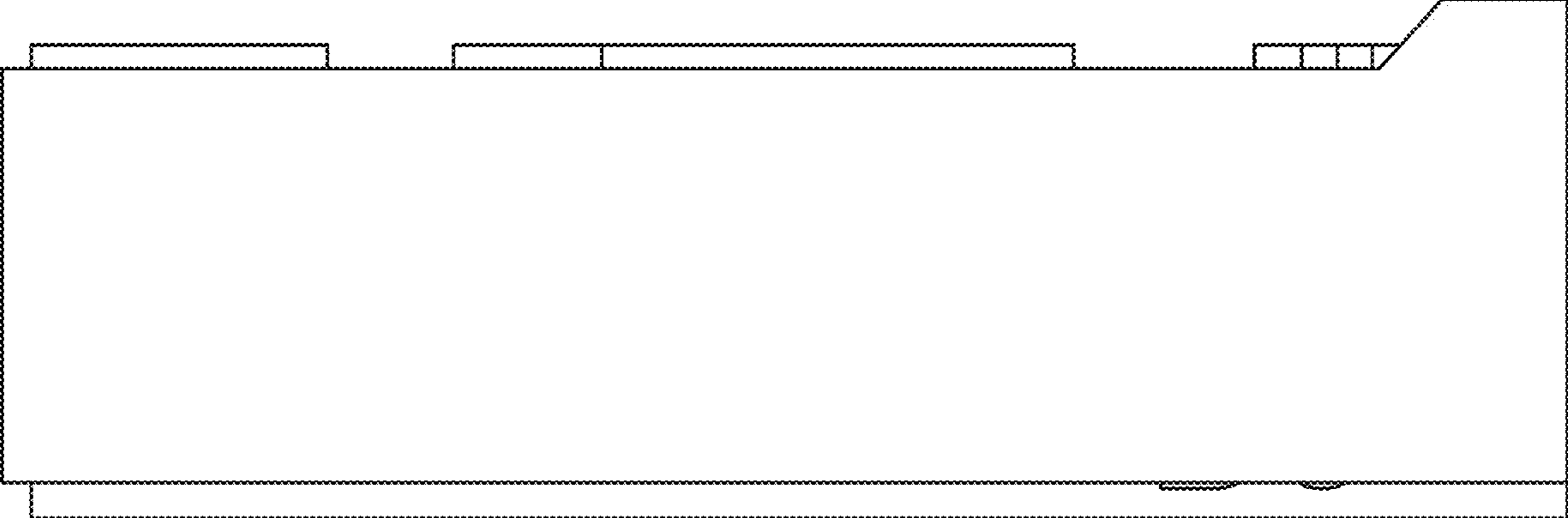


FIG. 4

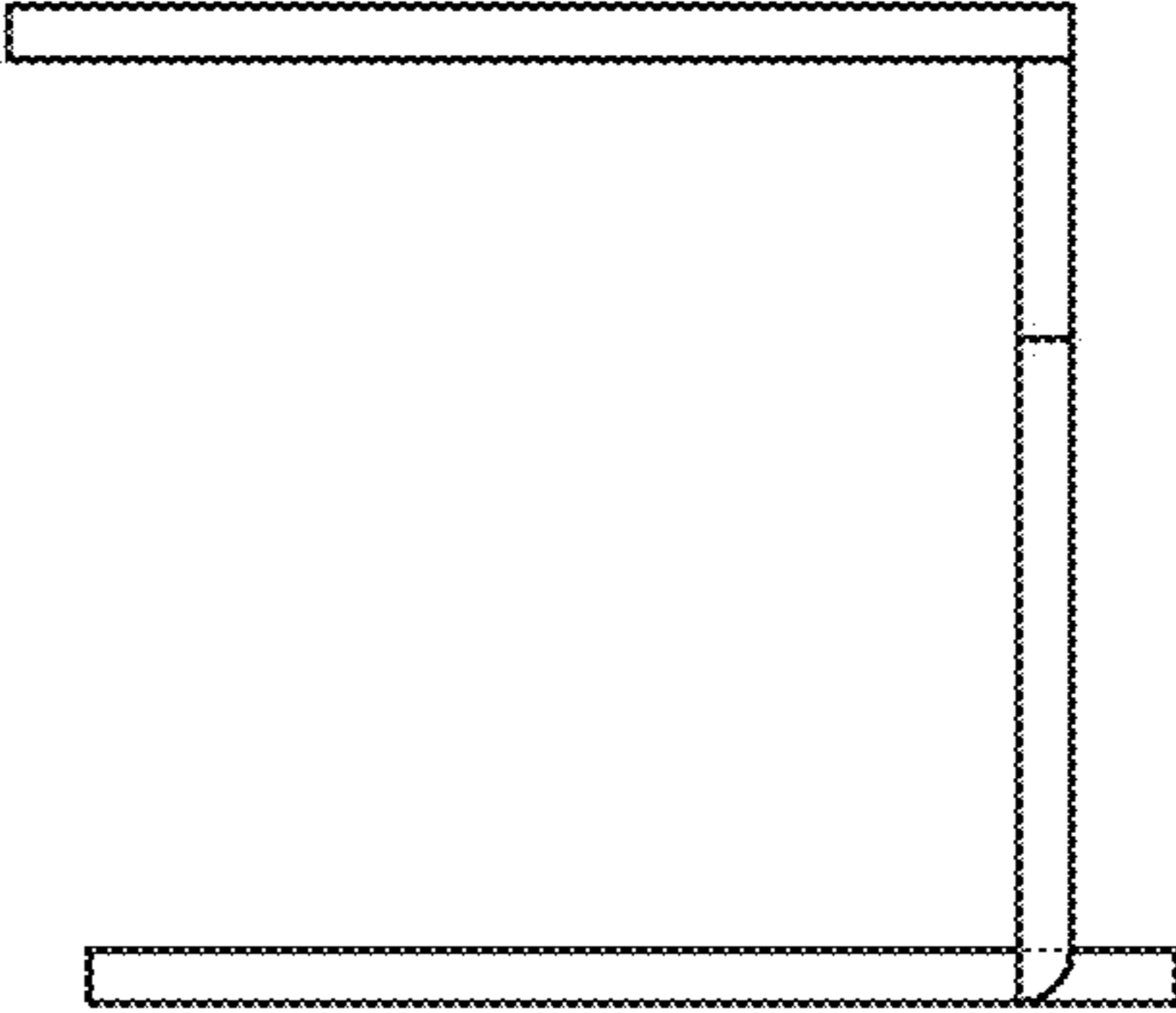


FIG. 5